



US00D399513S

**United States Patent** [19]  
**Shimada**

[11] **Patent Number: Des. 399,513**

[45] **Date of Patent: \*\*Oct. 13, 1998**

[54] **REFLECTING MIRROR**

[75] Inventor: **Takehiko Shimada**, Yokohama, Japan

[73] Assignee: **Kabushiki Kaisha Shimada Technical**,  
Yokohama, Japan

[\*\*] Term: **14 Years**

[21] Appl. No.: **55,299**

[22] Filed: **Jun. 3, 1996**

[51] **LOC (6) Cl.** ..... **15-99**

[52] **U.S. Cl.** ..... **D15/199**

[58] **Field of Search** ..... D10/46; D15/199;  
359/845, 851, 852, 850, 853, 867-869,  
871; 362/345, 346, 373; 372/34, 35, 36,  
70, 72; 126/599, 684, 696; 34/4

[56] **References Cited**

**U.S. PATENT DOCUMENTS**

5,444,576 8/1995 Shimada ..... 359/845

*Primary Examiner*—Antoine Duval Davis  
*Attorney, Agent, or Firm*—Staas & Halsey

[57] **CLAIM**

The ornamental design for a reflecting mirror, as shown and described.

**DESCRIPTION**

FIG. 1 is a top plan view of a reflecting mirror showing my new design;

FIG. 2 is a front elevational view thereof, a rear elevational view being identical with the front elevational view;

FIG. 3 is a bottom plan view thereof;

FIG. 4 is a left side elevational view thereof, a right side elevational view being identical with the left side elevational view;

FIG. 5 is a cross sectional view thereof taken along the line 5—5 of FIG. 2; and,

FIG. 6 is a perspective view thereof.

**1 Claim, 2 Drawing Sheets**

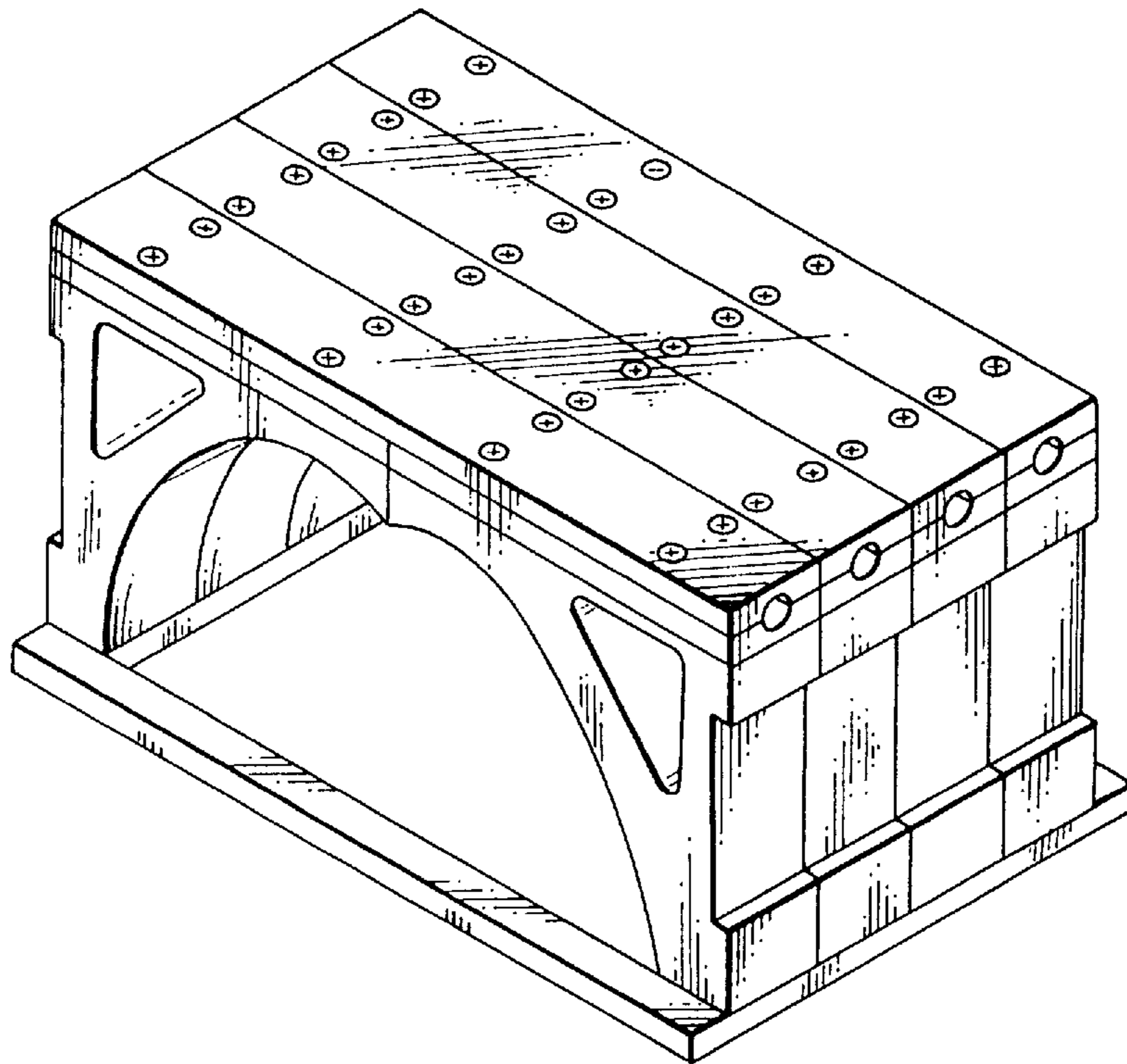


FIG. 1

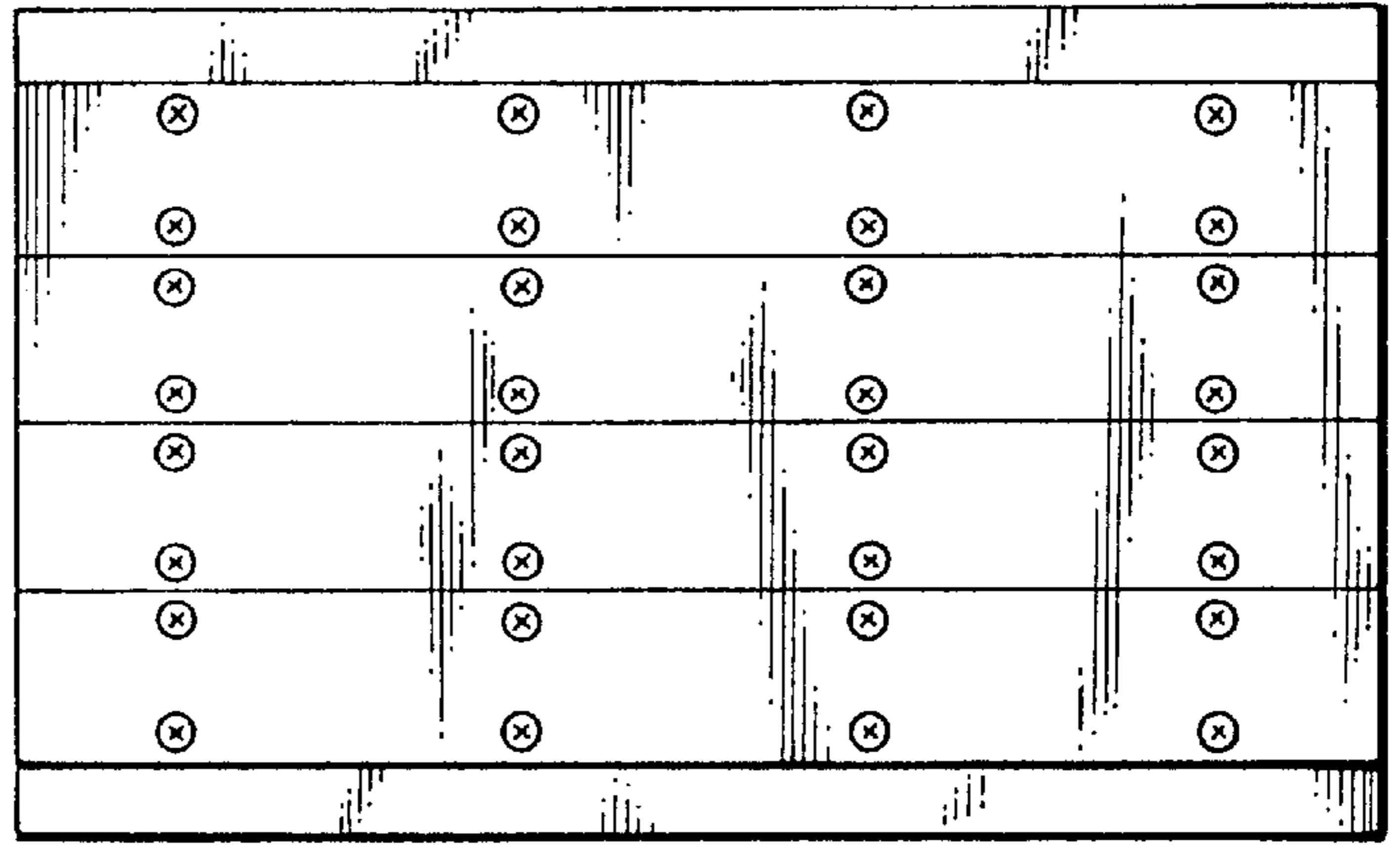


FIG. 4

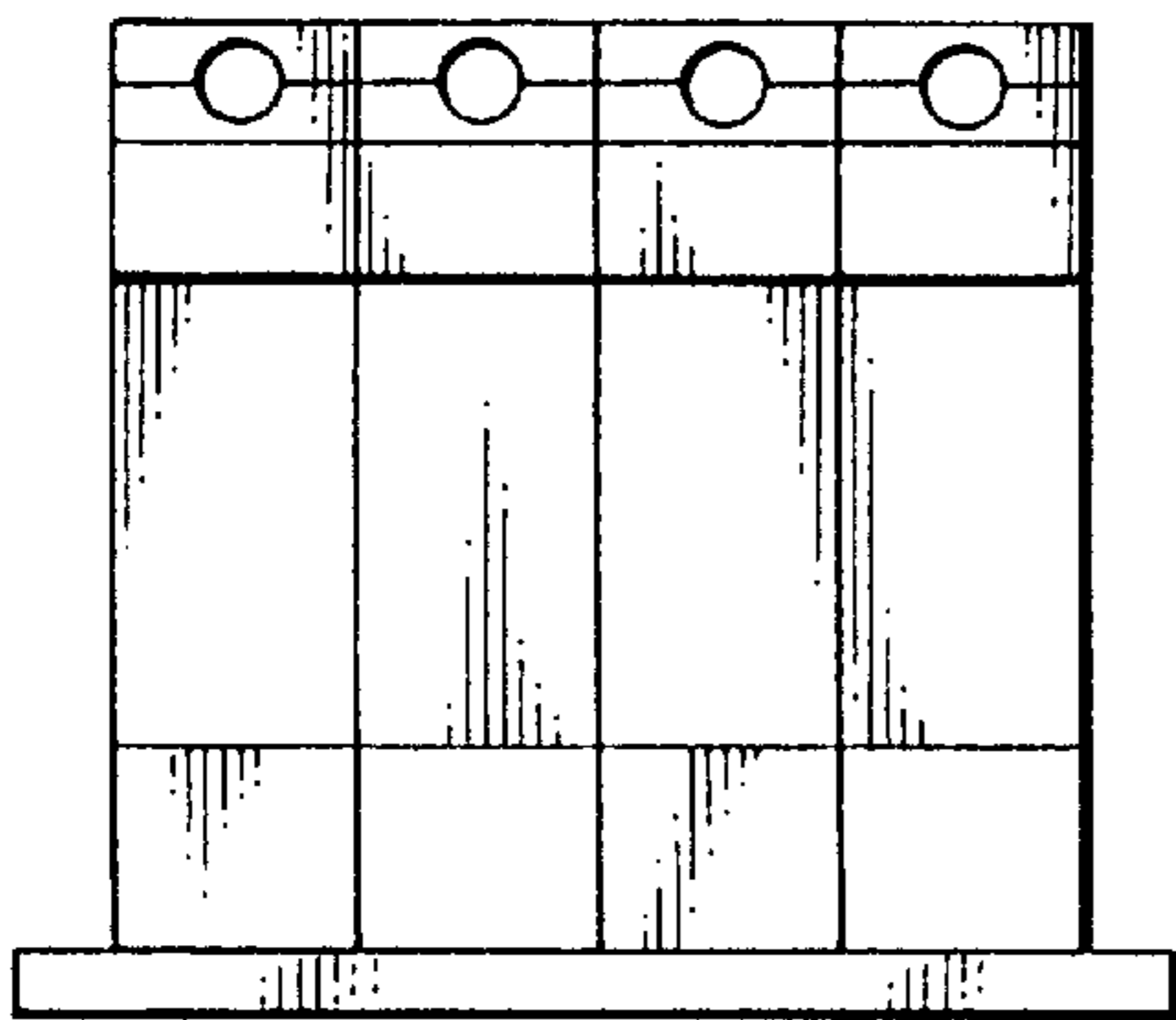


FIG. 2

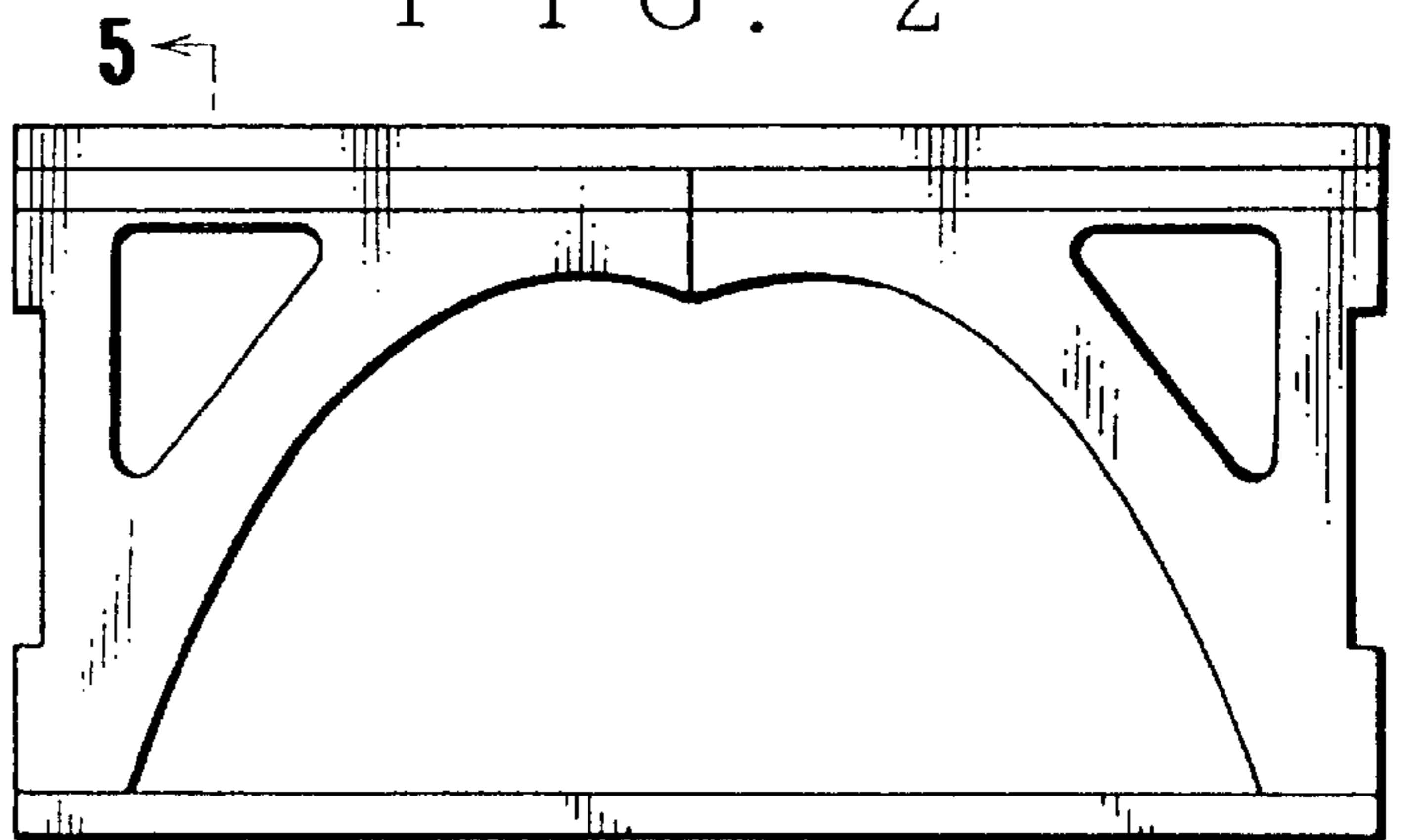


FIG. 3

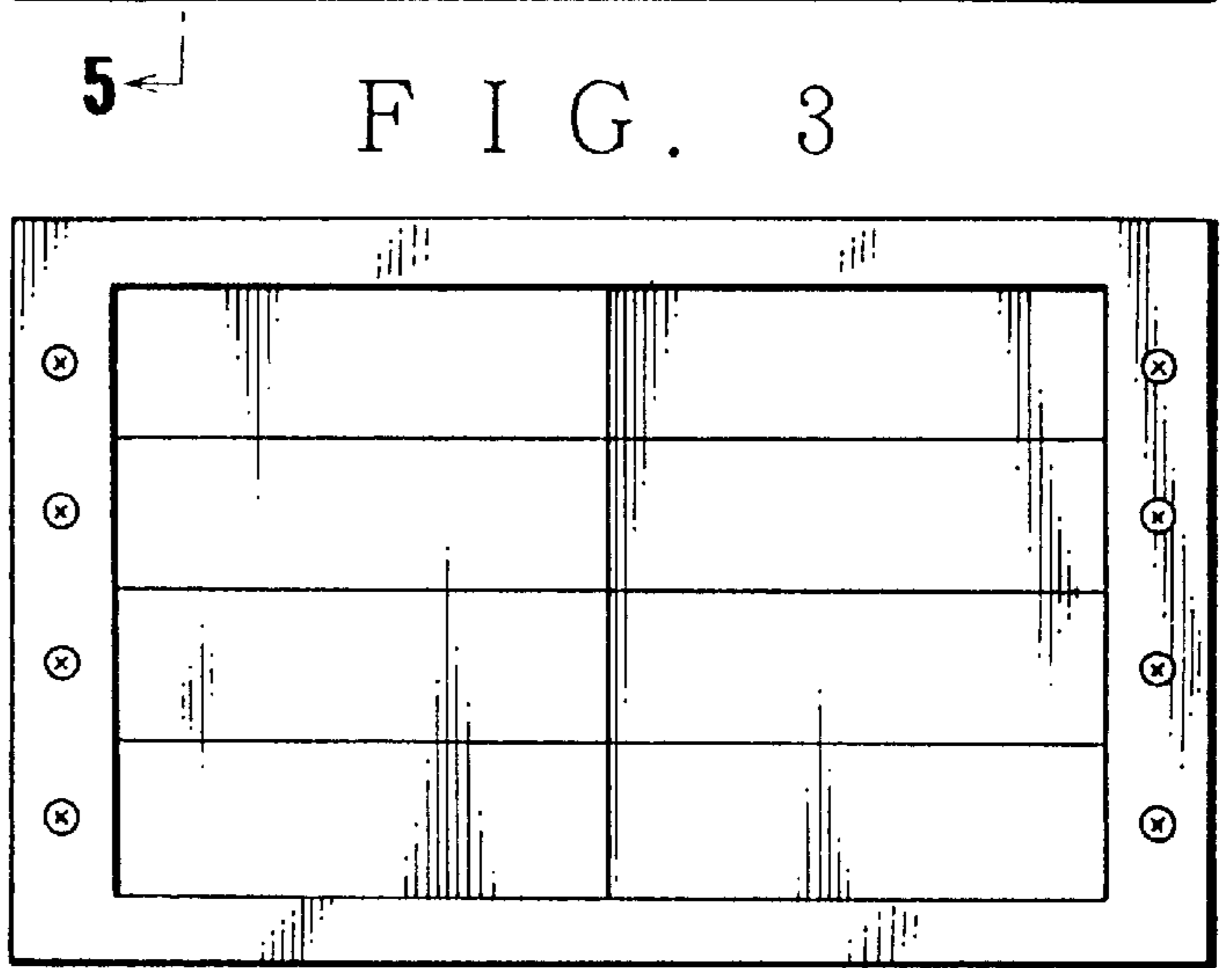
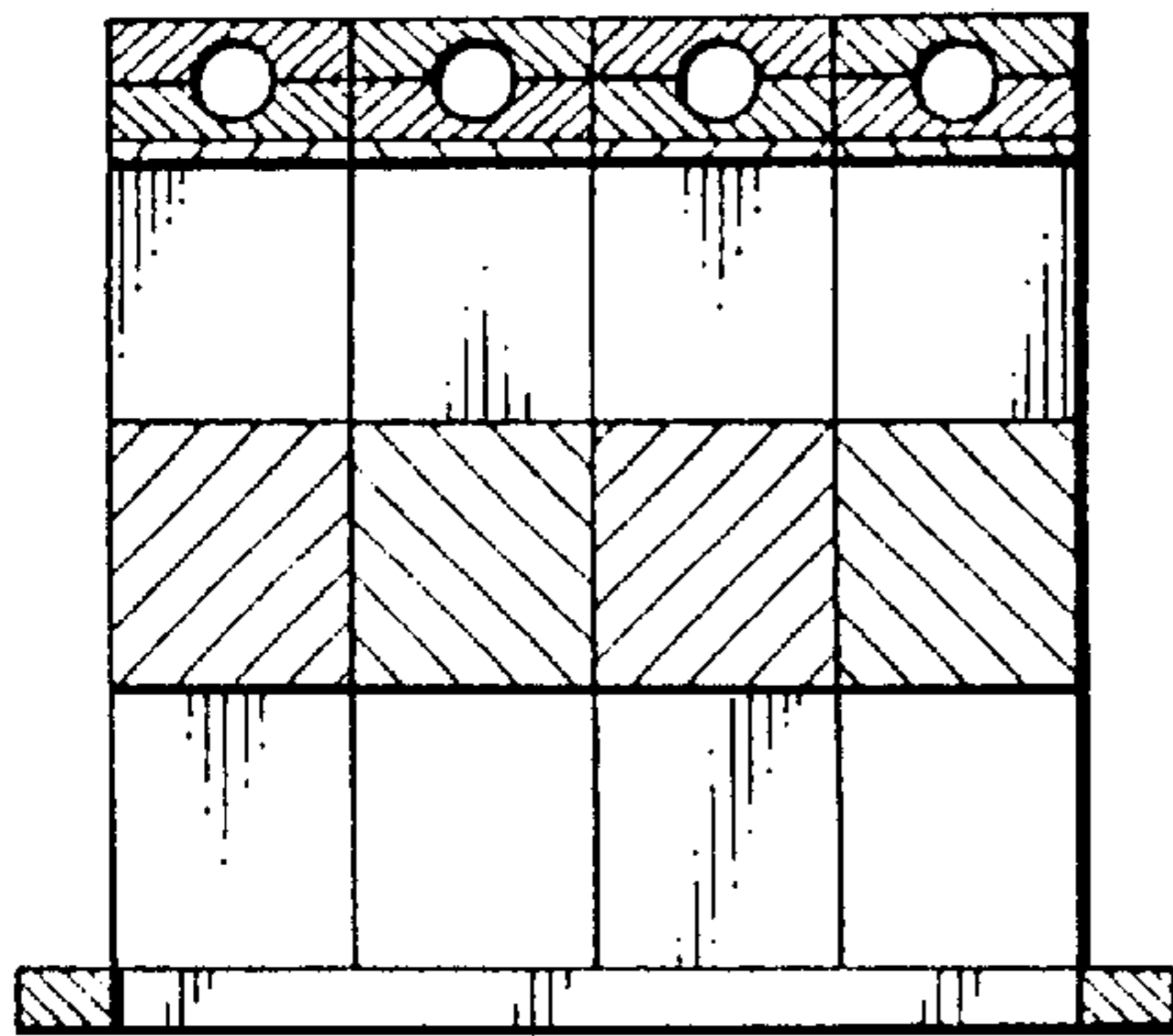


FIG. 5



F I G . 6

