



US00D399511S

United States Patent [19]

Lauder et al.

[11] Patent Number: **Des. 399,511**

[45] Date of Patent: ****Oct. 13, 1998**

[54] **DIGGING TOOTH**

[75] Inventors: **Brian L. Lauder**, Tulsa; **Charles Clendenning**, Broken Arrow, both of Okla.

[73] Assignee: **H & L Tooth Company**, Tulsa, Okla.

[**] Term: **14 Years**

[21] Appl. No.: **47,223**

[22] Filed: **Nov. 29, 1995**

[51] **LOC (6) Cl.** **15-03**

[52] **U.S. Cl.** **D15/29**

[58] **Field of Search** D15/10, 28, 29;
37/452-458

[56] **References Cited**

U.S. PATENT DOCUMENTS

D. 228,936	10/1973	Dahlberg	D15/29
D. 297,643	9/1988	Mohlin	D15/29
D. 328,466	8/1992	Robinson	D15/29
D. 329,243	9/1992	Robinson	D15/29
D. 336,304	6/1993	Robinson	D15/29
D. 339,593	9/1993	Johansson	D15/29
D. 365,109	12/1995	Robinson et al.	D15/28
D. 365,577	12/1995	Ruvang	D15/29
2,360,315	10/1944	Campbell et al.	37/142
2,762,139	9/1956	Lauder .	
3,020,655	2/1962	Lauder .	
3,624,827	11/1971	Liess .	
3,729,845	5/1973	Flippin	37/142 A
3,805,423	4/1974	Engel et al. .	
3,959,901	6/1976	Klett	37/142 R
4,123,861	11/1978	Hemphill	37/195

4,136,469	1/1979	Zepf	37/141 T
4,231,173	11/1980	Davis	37/142 R
4,251,933	2/1981	Hemphill	37/141 R
4,321,762	3/1982	Hemphill	37/141 R
4,407,081	10/1983	Hanson	37/141 T
4,470,210	9/1984	Hahn	37/142 R
4,616,433	10/1986	Knell et al.	37/141 T
4,642,920	2/1987	Lenhoff	37/141 T
4,748,754	6/1988	Schwappach	37/141 R
4,761,900	8/1988	Emrich	37/142 R
4,932,478	6/1990	Jones .	
4,949,481	8/1990	Fellner	37/141 T
5,018,283	5/1991	Fellner .	
5,233,770	8/1993	Robinson .	
5,423,138	6/1995	Livesay	37/452

Primary Examiner—Sandra L. Morris
Attorney, Agent, or Firm—John W. Harbst

[57] **CLAIM**

The ornamental design for a digging tooth, as shown and described.

DESCRIPTION

FIG. 1 is a front, left side perspective view of a digging tooth showing our new design;
FIG. 2 is a top plan view of the digging tooth illustrated in FIG. 1;
FIG. 3 is a bottom plan view thereof;
FIG. 4 is a left side view thereof with the right side view being a mirror image thereof;
FIG. 5 is rear elevational view thereof;
FIG. 6 is a front elevational view thereof; and,
FIG. 7 is a rear, left side perspective view of the digging tooth showing our new design.

1 Claim, 3 Drawing Sheets

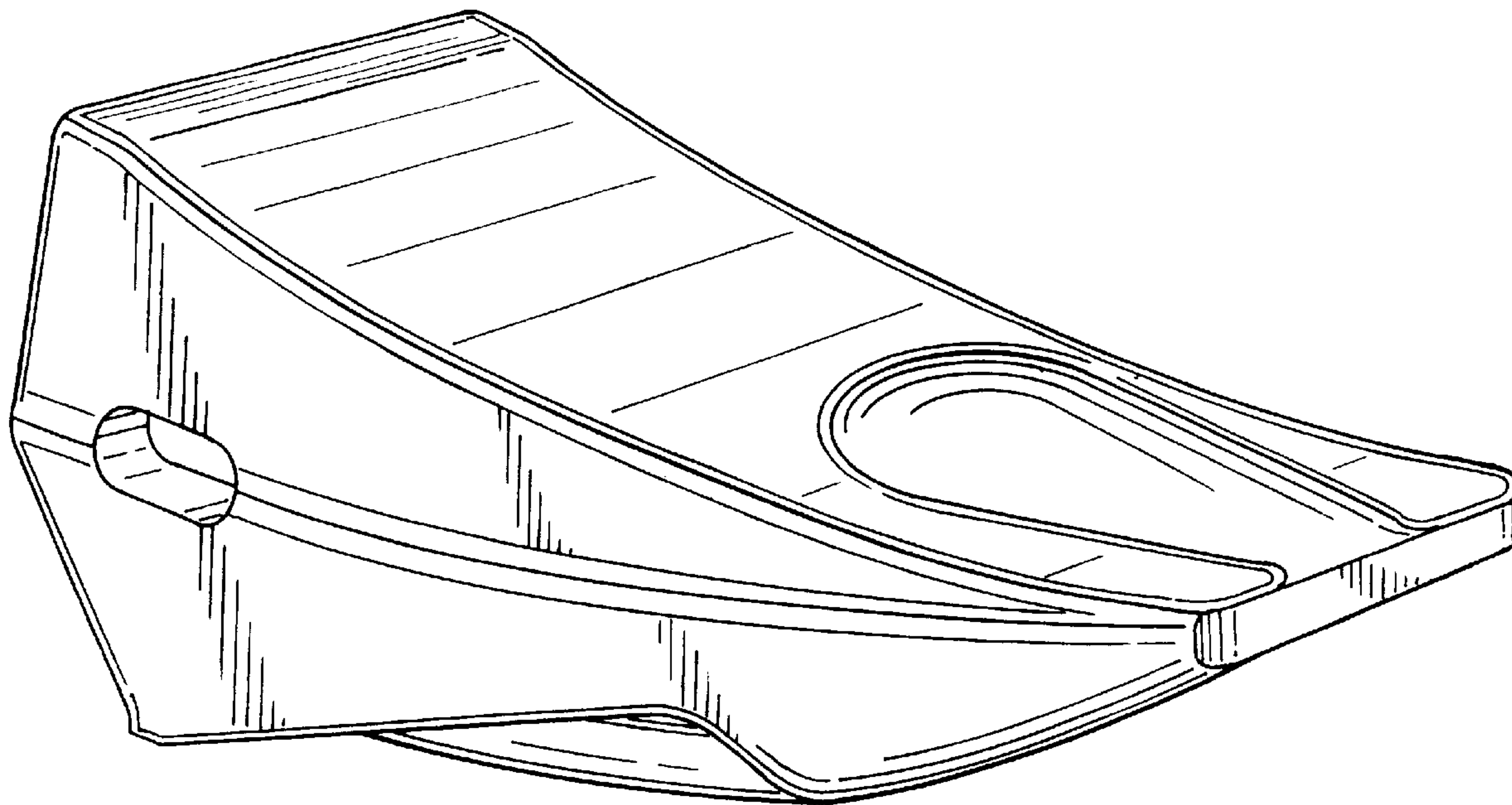


FIG. 1

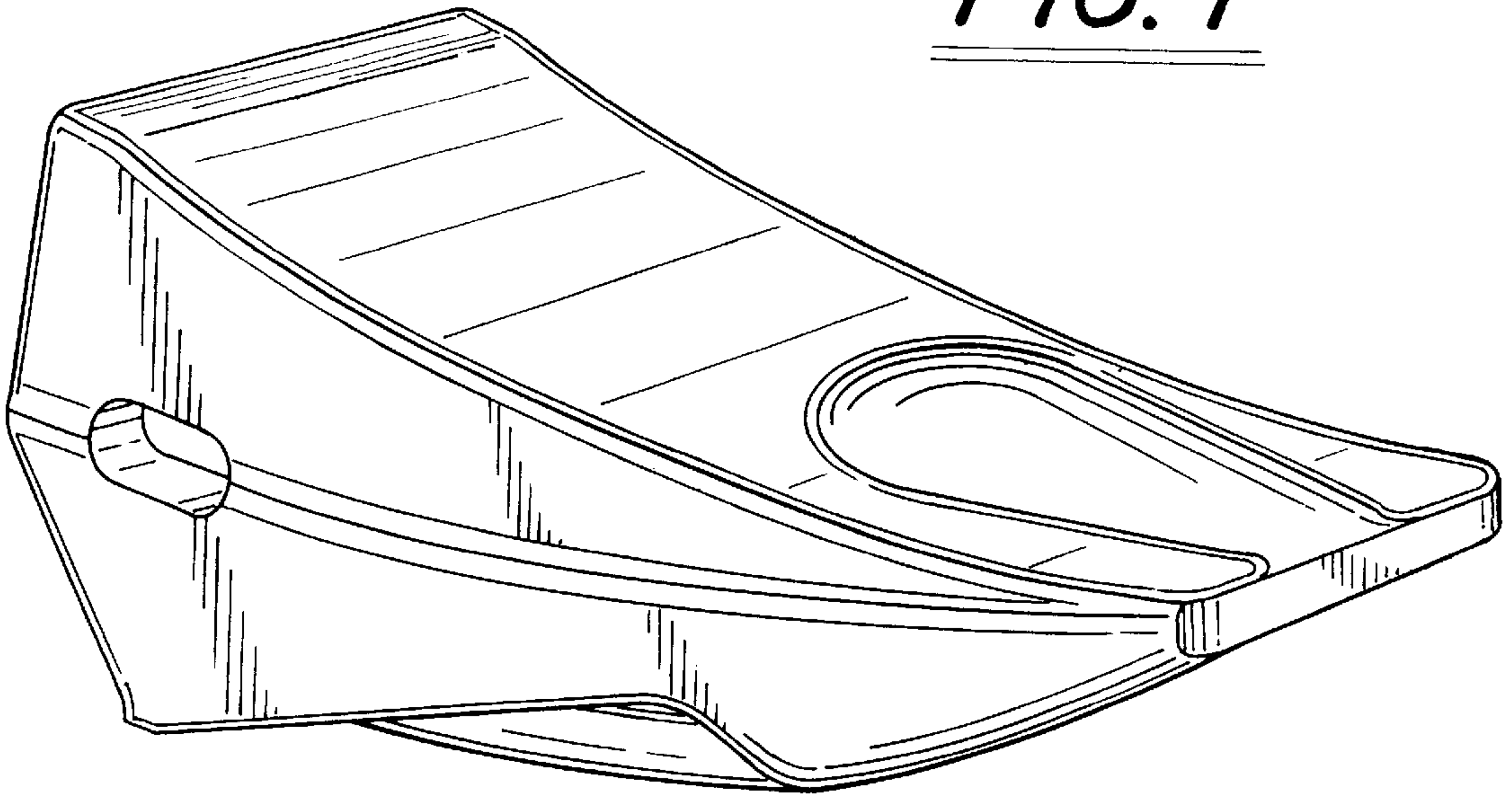


FIG. 2

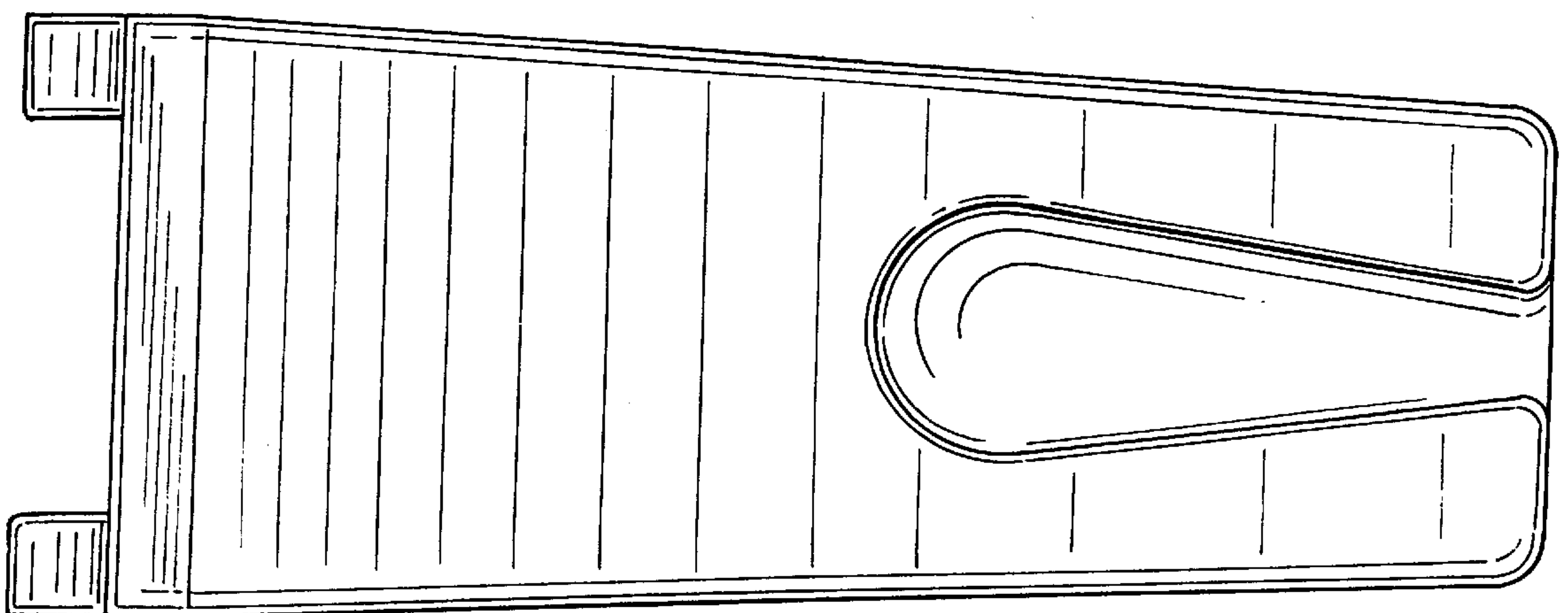


FIG. 3

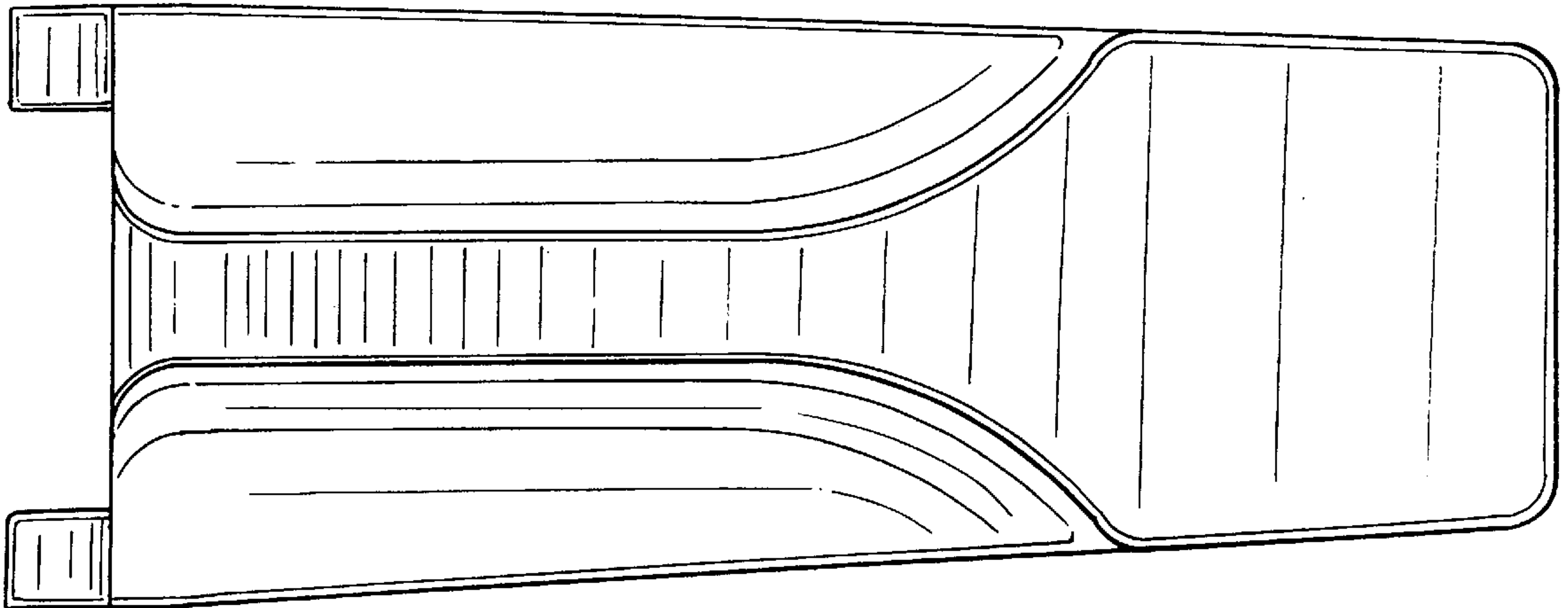


FIG. 4

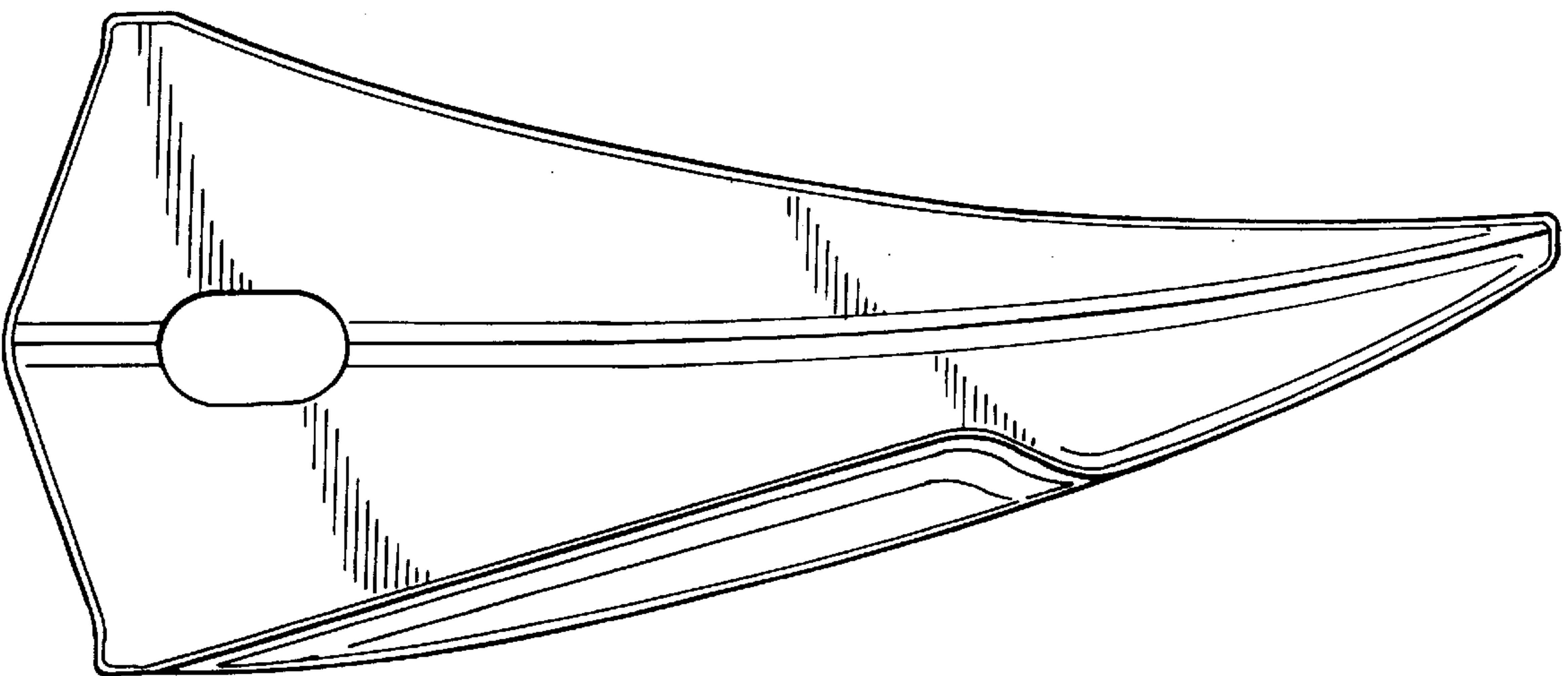


FIG. 5

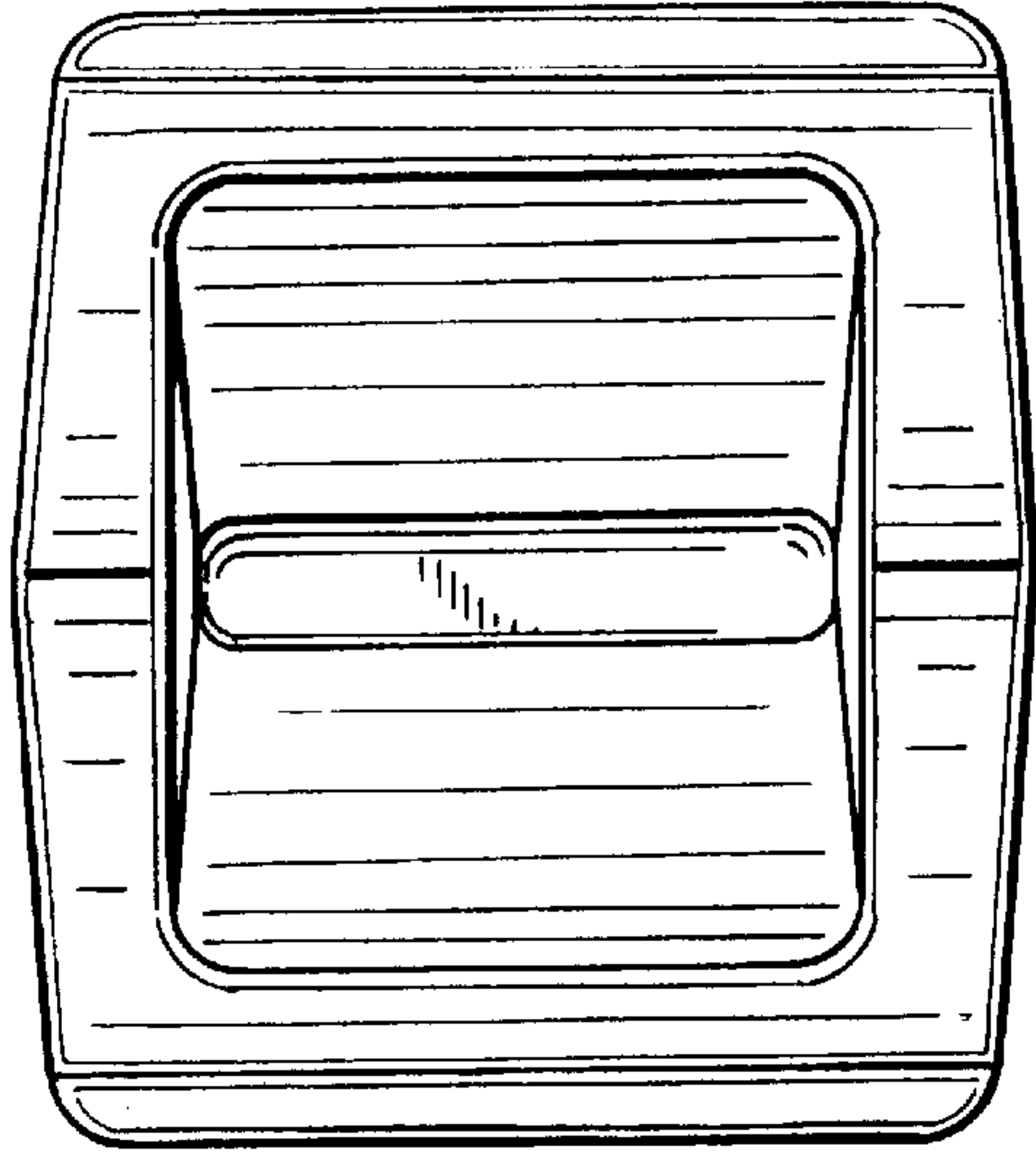


FIG. 6

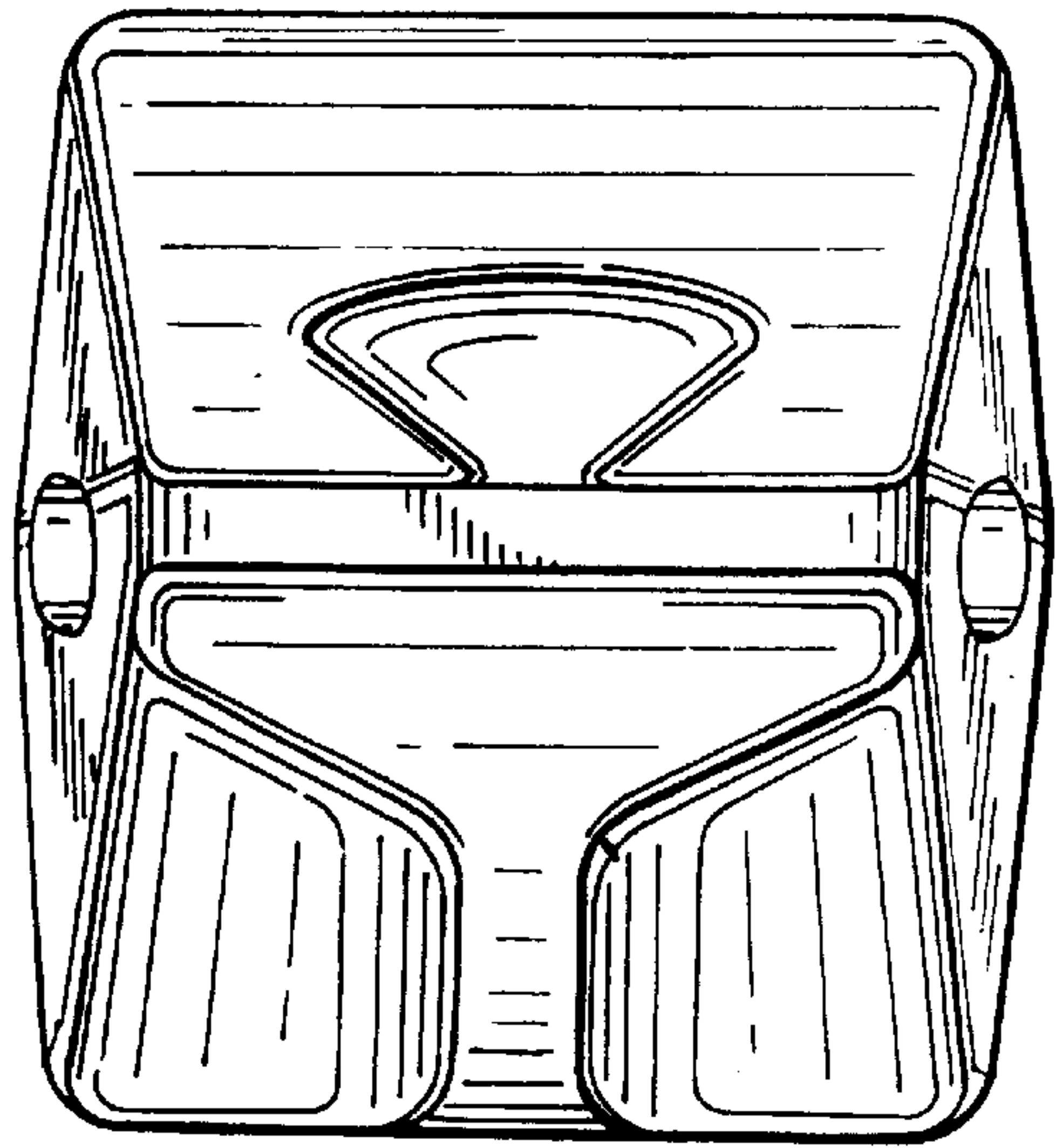


FIG. 7

