



US00D399510S

United States Patent [19] Renk

[11] **Patent Number: Des. 399,510**

[45] **Date of Patent: **Oct. 13, 1998**

[54] **AUDIO SYSTEM BASE**

[75] Inventor: **Thomas Edward Renk**, Indianapolis, Ind.

[73] Assignee: **Thomson Consumer Electronics, Inc.**, Indianapolis, Ind.

[**] Term: **14 Years**

[21] Appl. No.: **83,464**

[22] Filed: **Feb. 10, 1998**

[51] **LOC (6) Cl.** **14-01**

[52] **U.S. Cl.** **D14/216; D14/224**

[58] **Field of Search** D14/114, 204, D14/207-216, 221, 224; 181/144, 145, 147, 148, 150, 153, 199; 381/87-90

[56] **References Cited**

U.S. PATENT DOCUMENTS

D. 319,243	8/1991	Yamakawa	D14/216
D. 319,446	8/1991	Yamamoto	D14/216 X
D. 340,056	10/1993	Caron et al.	D14/204
D. 363,721	10/1995	Lum et al.	D14/214 X

Primary Examiner—Ted Shooman
Assistant Examiner—Nanda Bondade
Attorney, Agent, or Firm—Woodard, Emhardt, Naughton, Moriarty & McNett

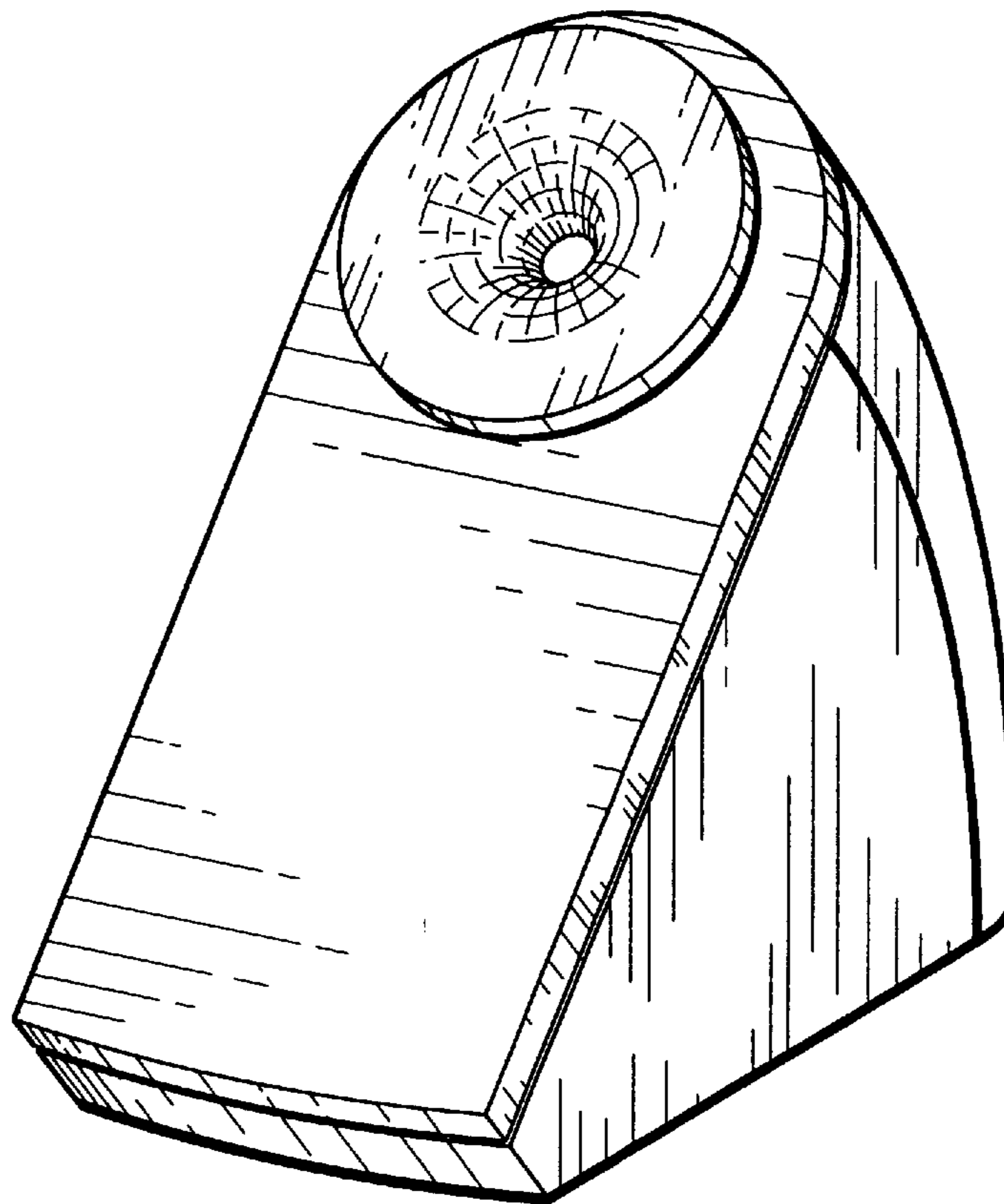
[57] **CLAIM**

The ornamental design for an audio system base, as shown and described.

DESCRIPTION

FIG. 1 is a front elevational view of an audio system base showing my new design;
FIG. 2 is a rear elevational view thereof;
FIG. 3 is a right side elevational view thereof, the left side elevational view being a mirror image of the right side elevational view;
FIG. 4 is a top plan view thereof;
FIG. 5 is a bottom plan view thereof;
FIG. 6 is a front, right, and bottom perspective view thereof; and,
FIG. 7 is a front, right, and bottom perspective view of the audio system base of FIG. 6, as shown in one environment, the environment being in broken lines, the environment not being a part of the disclosed and claimed design.

1 Claim, 4 Drawing Sheets



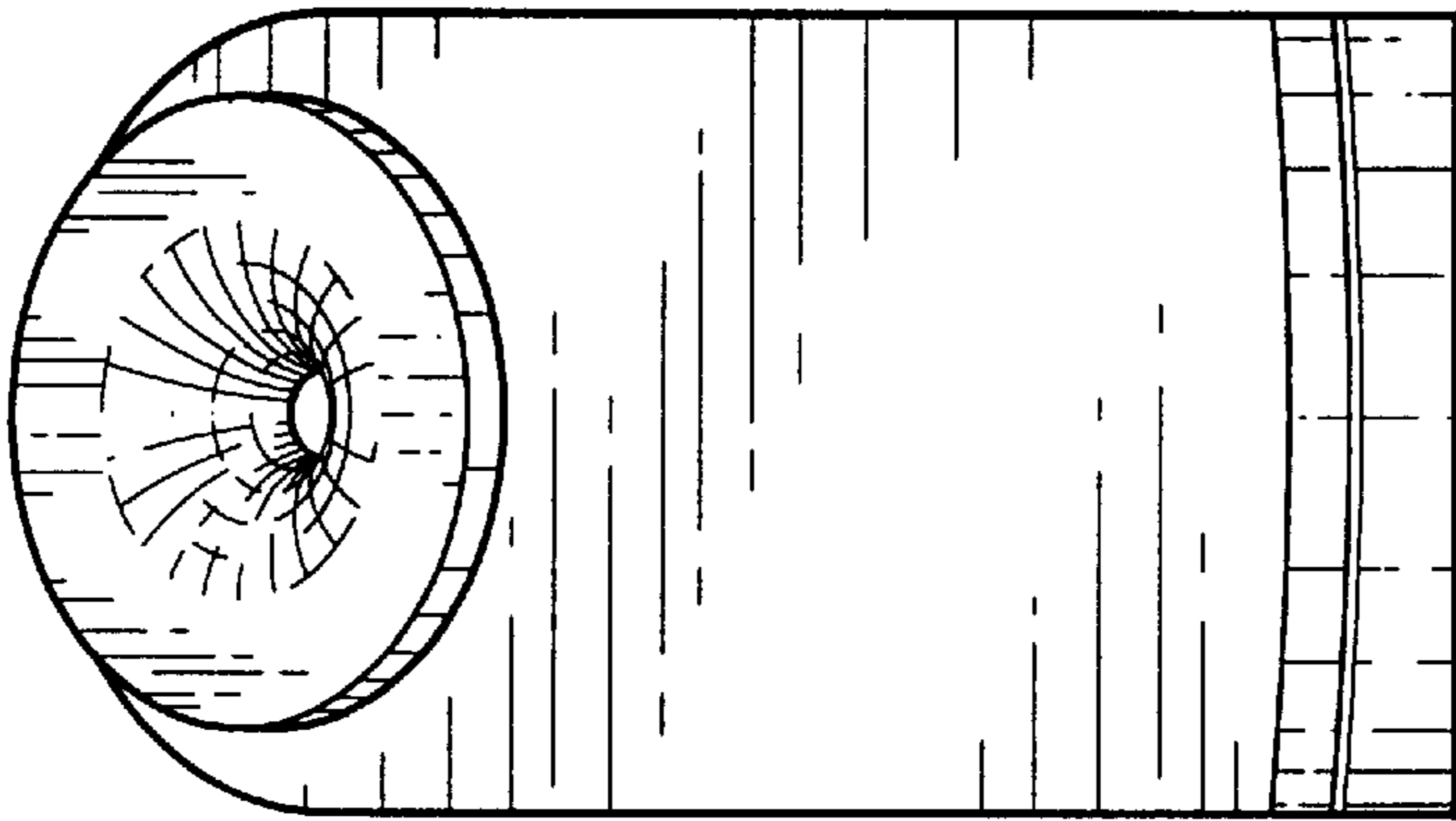


Fig. 1

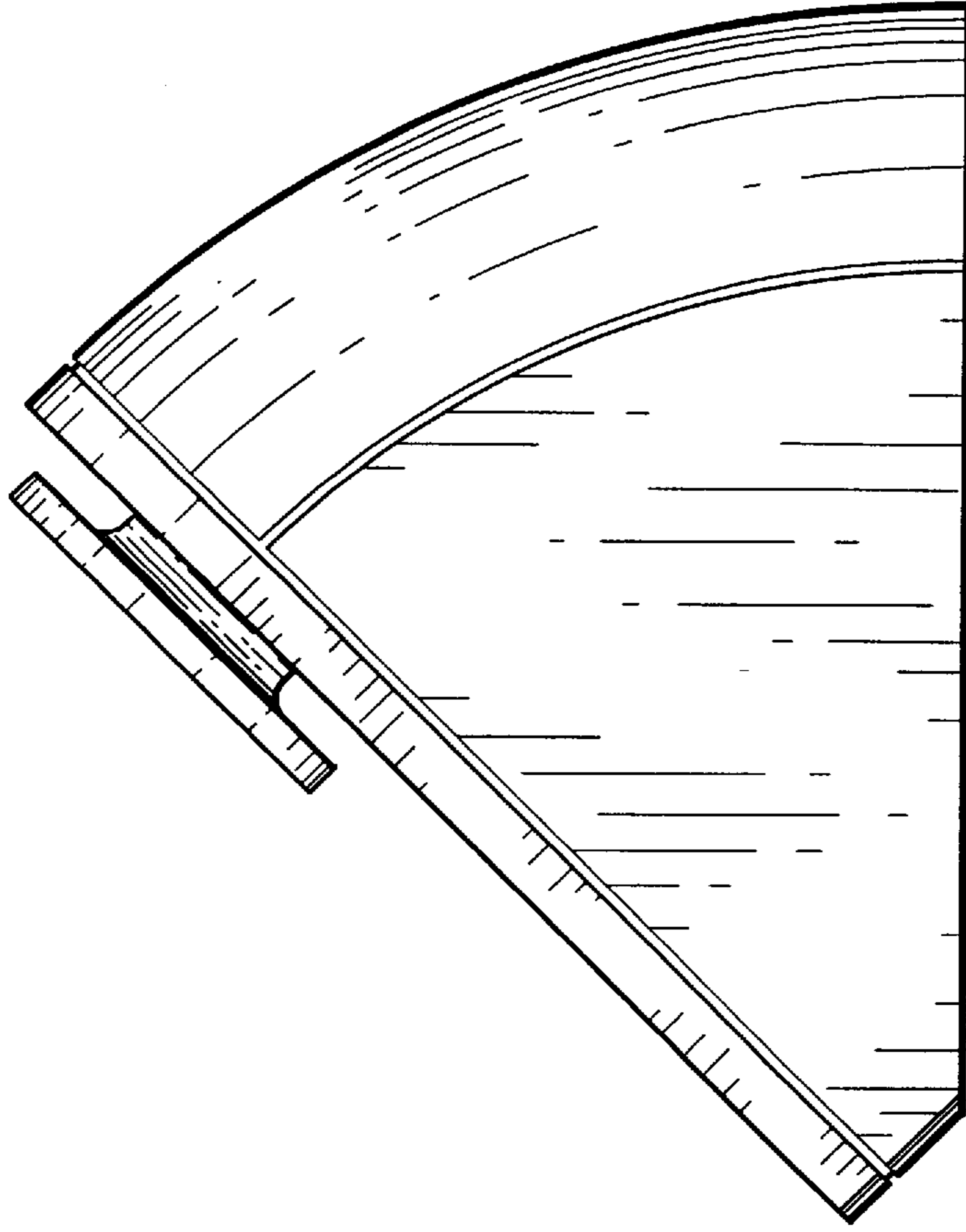


Fig. 3

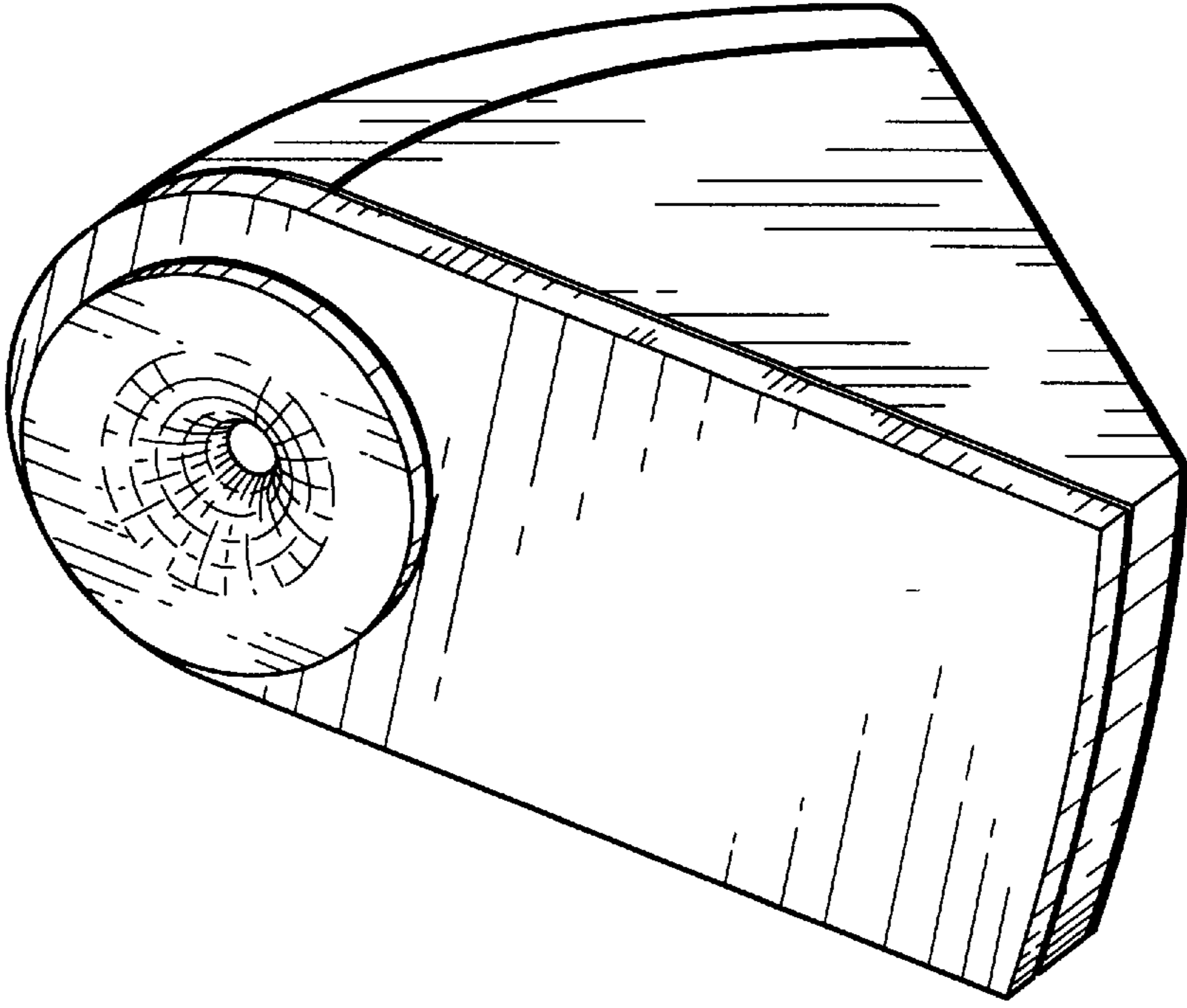


Fig. 6

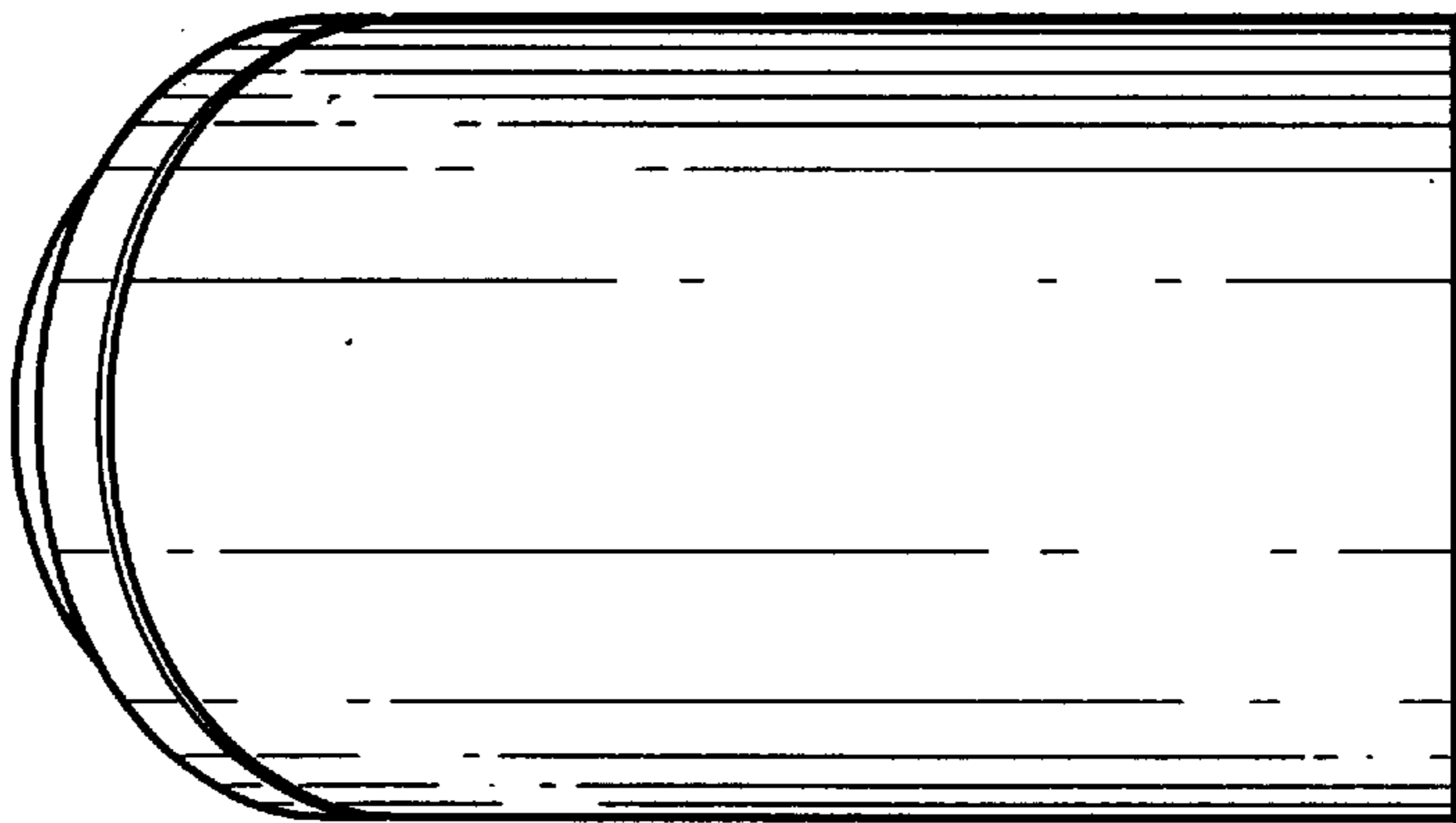


Fig. 2

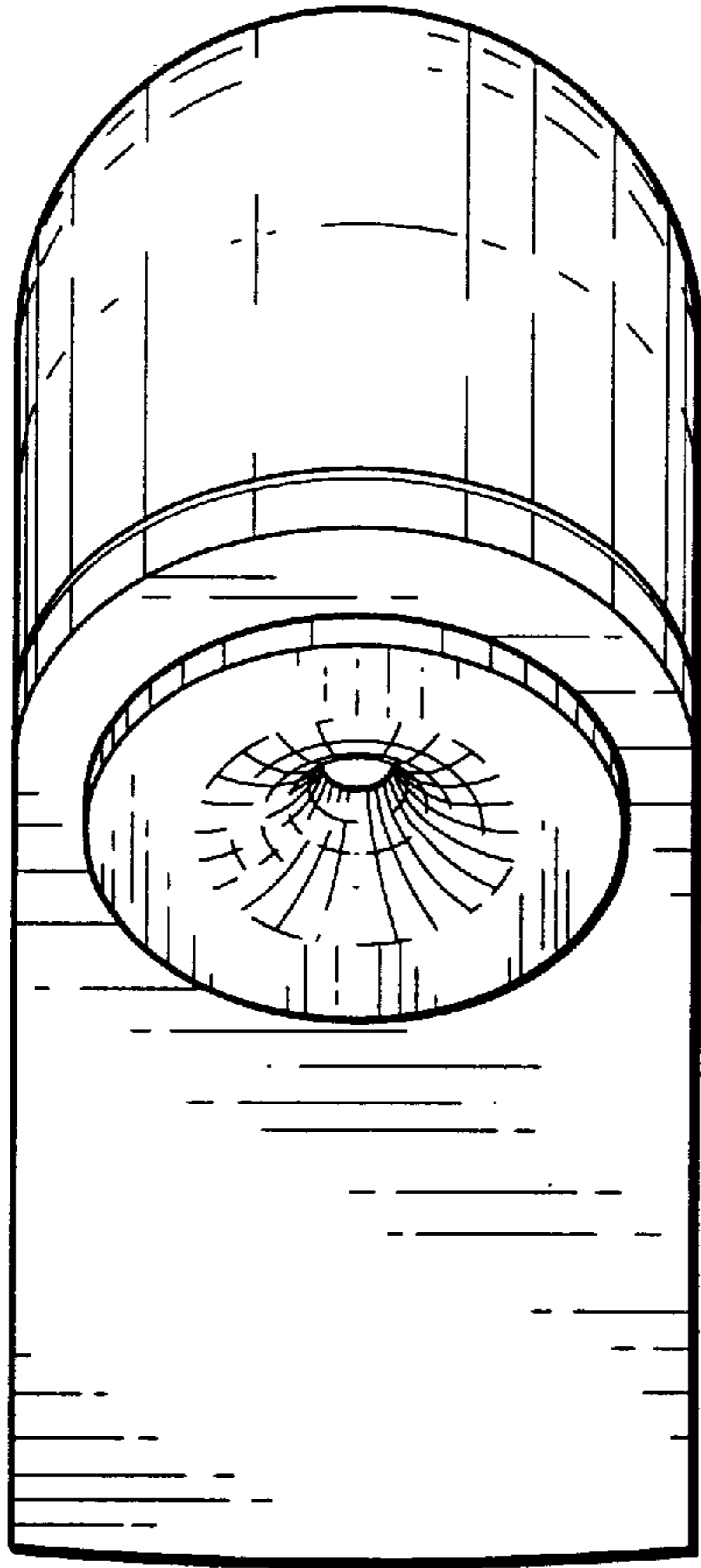


Fig. 4

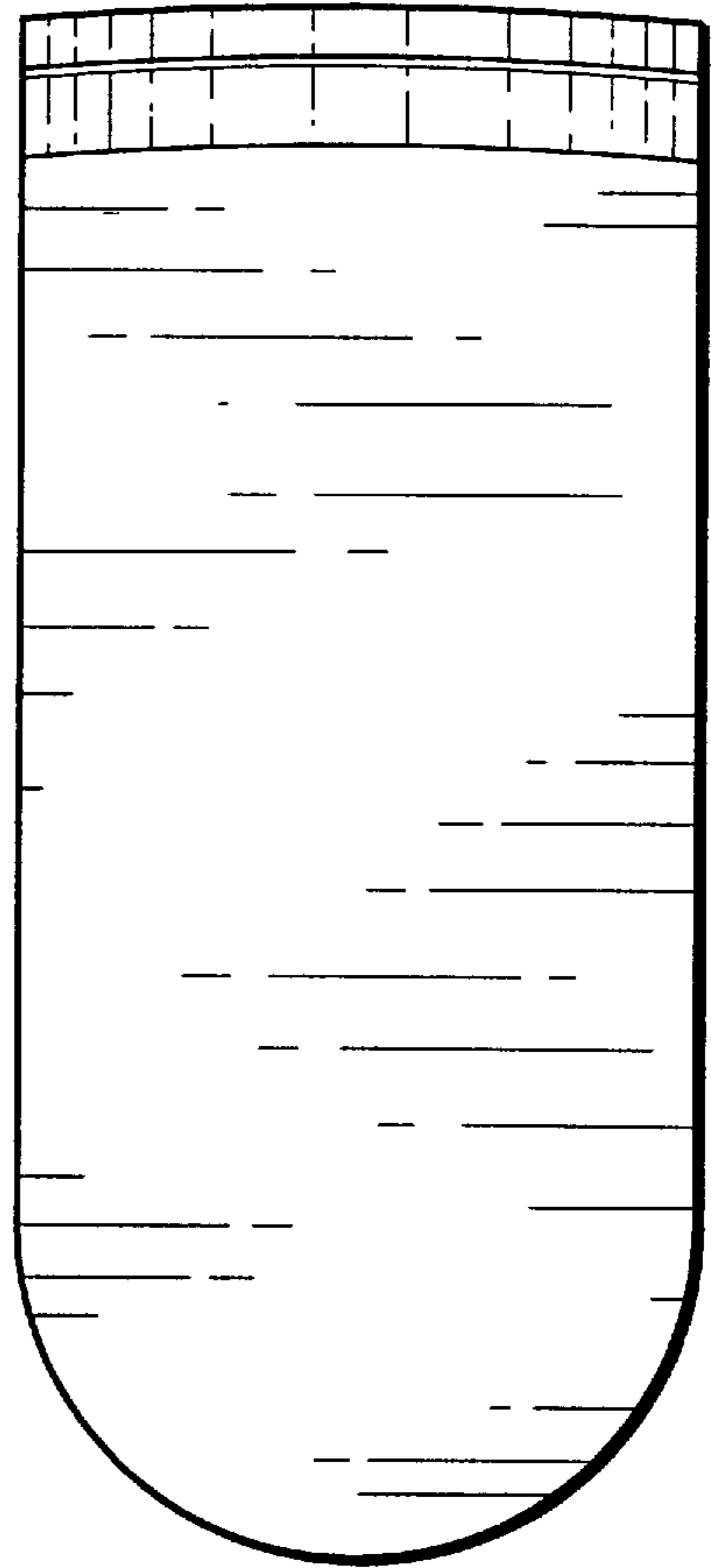


Fig. 5

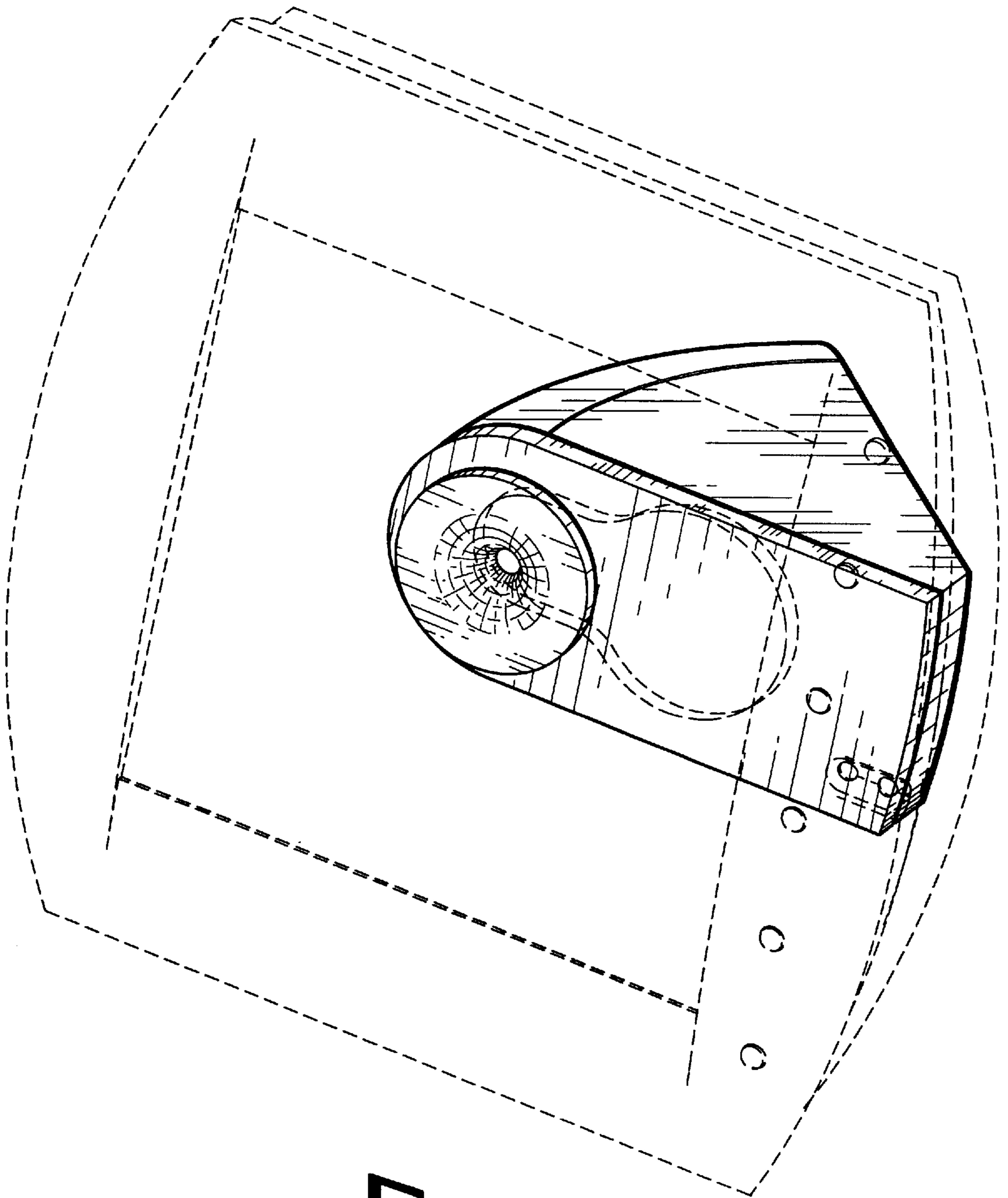


Fig. 7