



US00D399507S

# United States Patent [19]

[11] **Patent Number: Des. 399,507**

**Kanno**

[45] **Date of Patent: \*\*Oct. 13, 1998**

## [54] **OPTICAL DISC RECORDER/PLAYER WITH A RADIO RECEIVER**

[75] Inventor: **Ryuta Kanno**, Tokyo, Japan

[73] Assignee: **Sony Corporation**, Tokyo, Japan

[\*\*] Term: **14 Years**

[21] Appl. No.: **53,897**

[22] Filed: **May 1, 1996**

### [30] **Foreign Application Priority Data**

Nov. 2, 1995 [JP] Japan ..... 7-32937

[51] **LOC (6) Cl.** ..... **14-01**

[52] **U.S. Cl.** ..... **D14/168**

[58] **Field of Search** ..... D14/124, 135-136, D14/156, 160-168, 172, 188-189, 193-198, 217, 257, 260, 299; 455/344, 347-351

### [56] **References Cited**

#### U.S. PATENT DOCUMENTS

D. 311,187	10/1990	Mori	.....	D14/168	X
D. 334,189	3/1993	Takimoto	.....	D14/168	X
D. 341,141	11/1993	Nara	.....	D14/168	
D. 350,753	9/1994	Oka	.....	D14/168	
D. 351,595	10/1994	Furui	.....	D14/168	

*Primary Examiner*—Sandra L. Morris  
*Assistant Examiner*—Nanda Bondade  
*Attorney, Agent, or Firm*—Foley & Lardner

## [57] **CLAIM**

The ornamental design for an optical disc recorder/player with a radio receiver, as shown and described.

## **DESCRIPTION**

FIG. 1 is a perspective view of a first embodiment of an optical disc recorder/player with a radio receiver showing my new design;

FIG. 2 is a perspective view thereof wherein the disc tray portion is in the open position;

FIG. 3 is a top plan view thereof, shown in a closed position;

FIG. 4 is a left side elevational view thereof;

FIG. 5 is a front elevational view thereof;

FIG. 6 is a bottom plan view thereof;

FIG. 7 is a right side elevational view thereof;

FIG. 8 is a rear elevational view thereof;

FIG. 9 is a perspective view of a second embodiment of an optical disc recorder/player with a radio receiver showing my new design;

FIG. 10 is a perspective view of the embodiment of FIG. 9 wherein the lid portion is in the open position;

FIG. 11 is a top plan view of the embodiment of FIG. 9;

FIG. 12 is a left side elevational view of the embodiment of FIG. 9;

FIG. 13 is a front elevational view of the embodiment of FIG. 9;

FIG. 14 is a bottom plan view of the embodiment of FIG. 9;

FIG. 15 is a right side elevational view of the embodiment of FIG. 9; and,

FIG. 16 is a rear elevational view of the embodiment of FIG. 9.

**1 Claim, 6 Drawing Sheets**

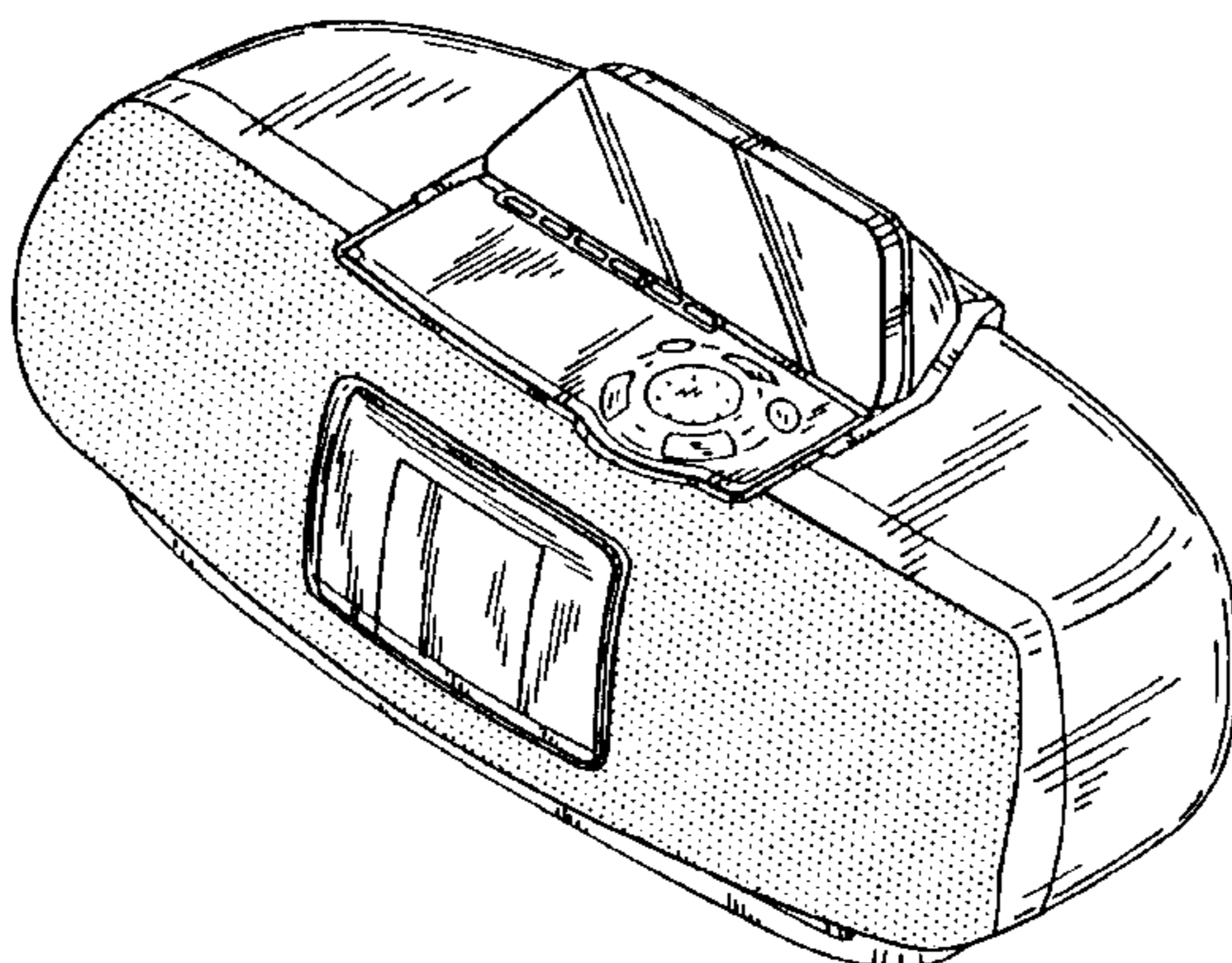
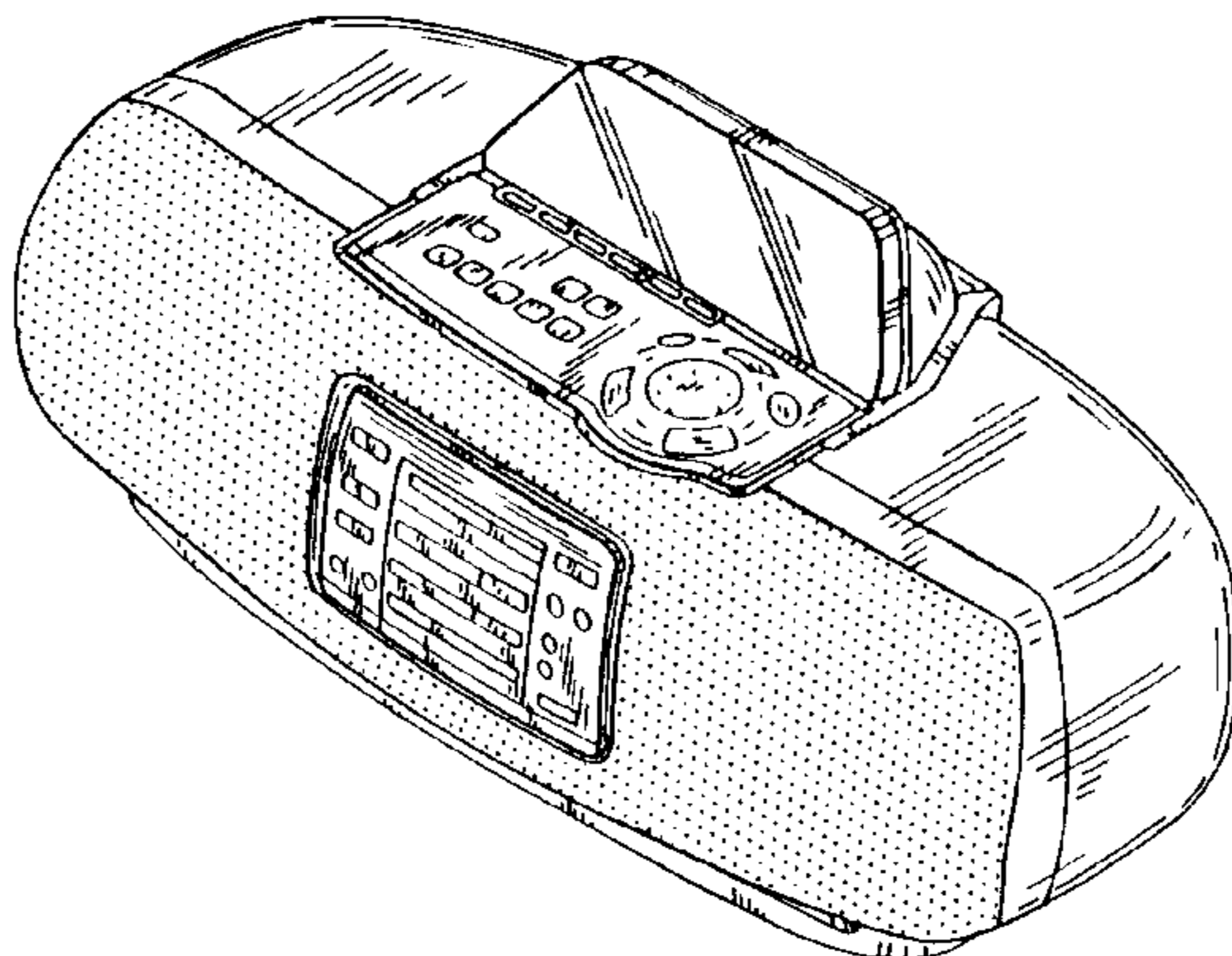


FIG. 1

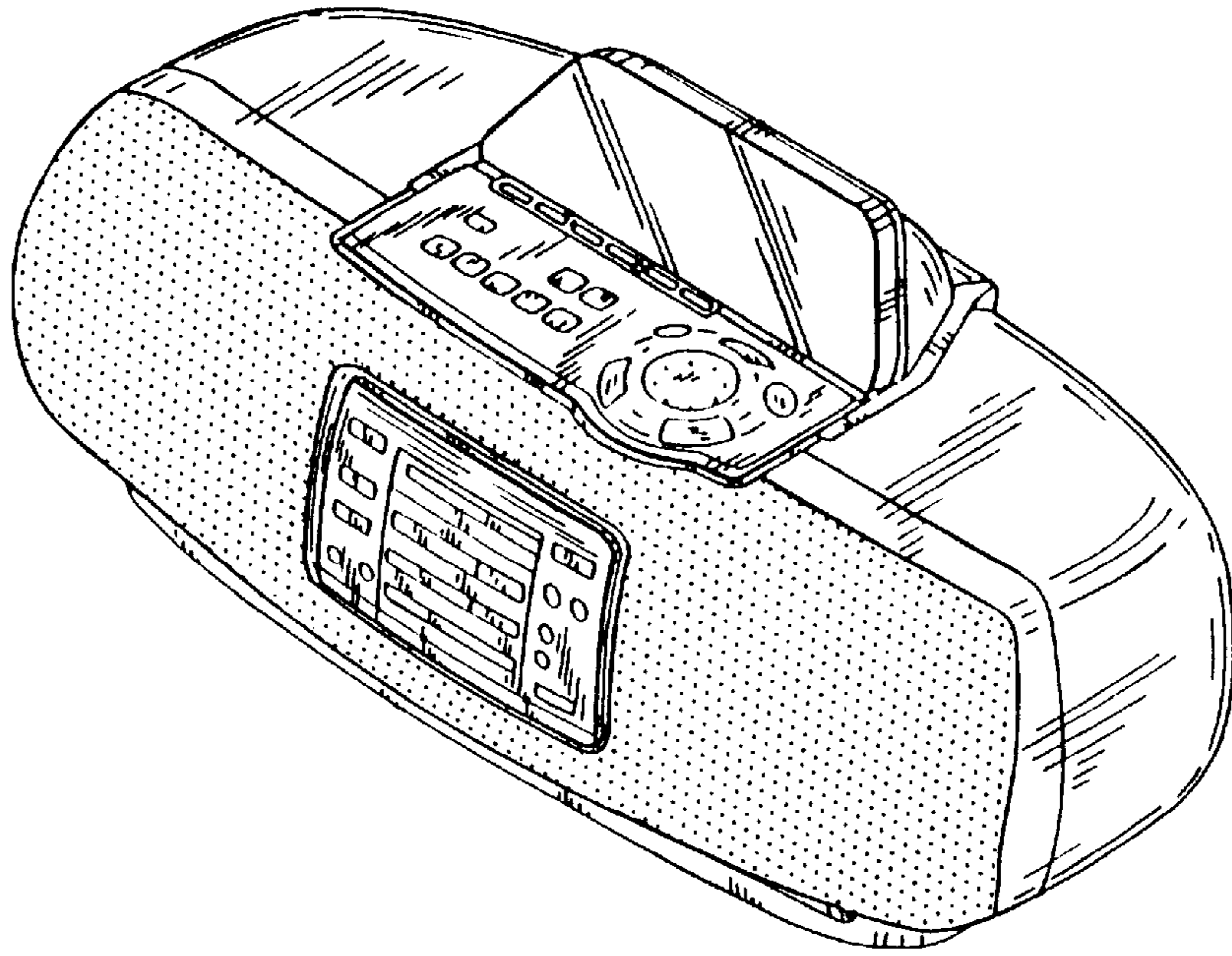


FIG. 2

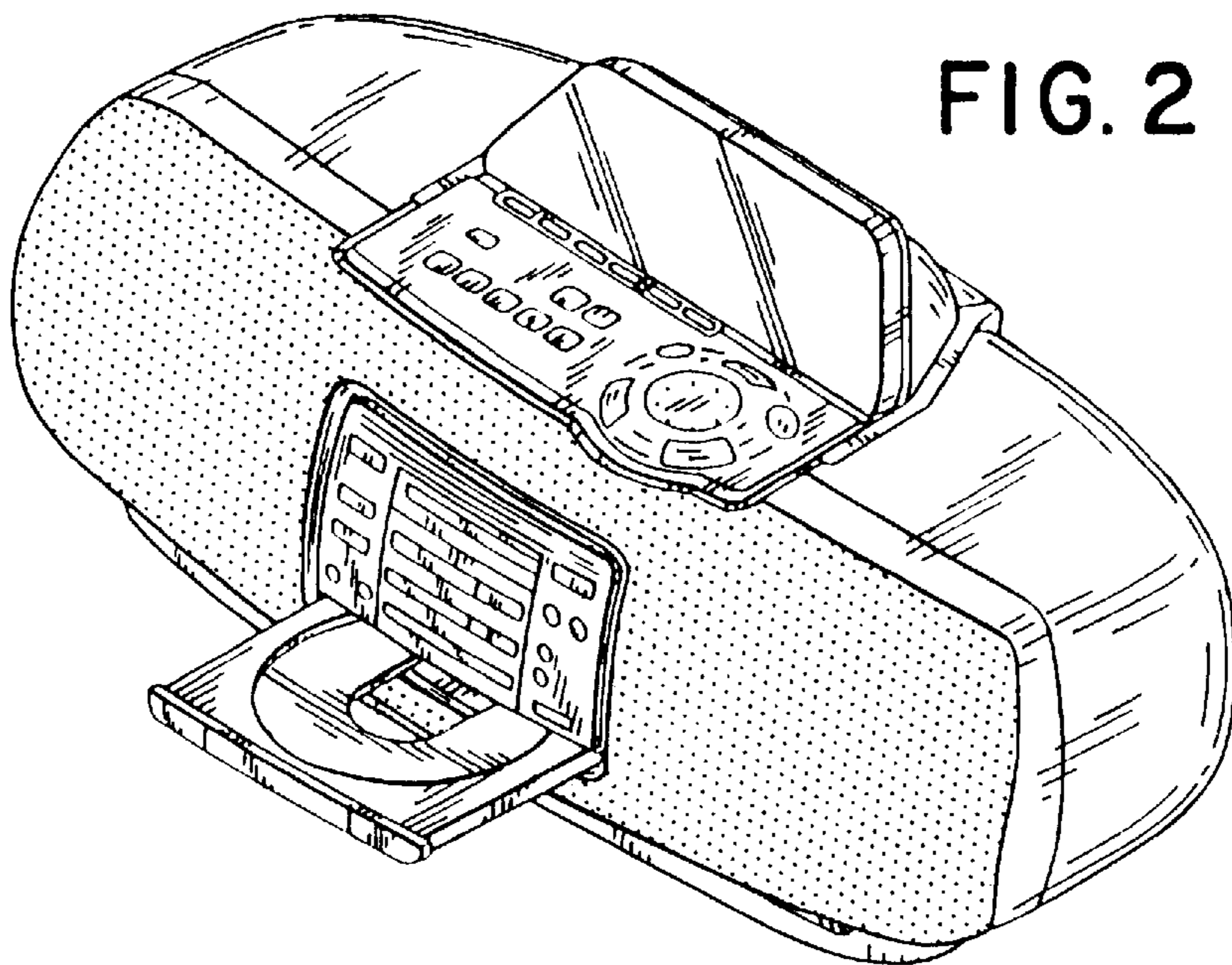


FIG. 3

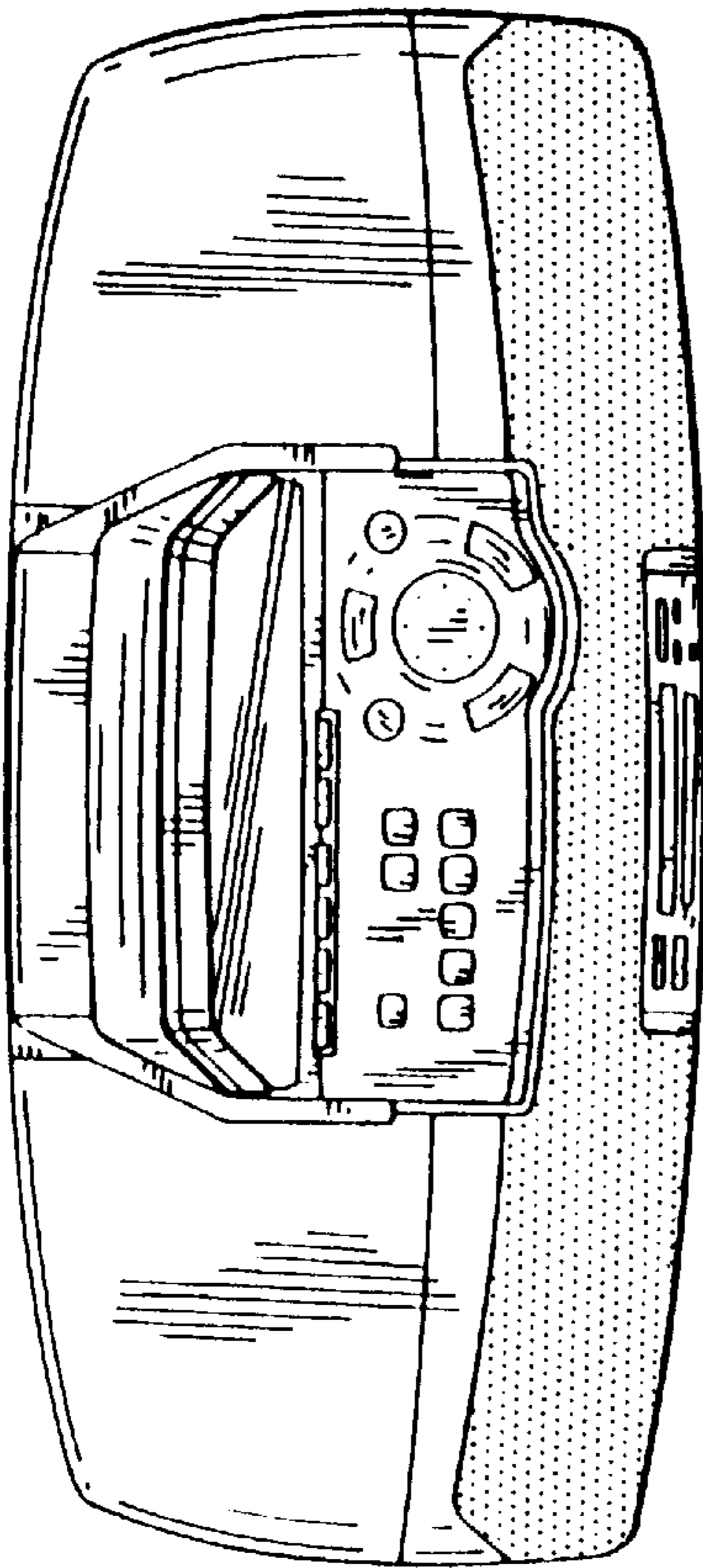


FIG. 4

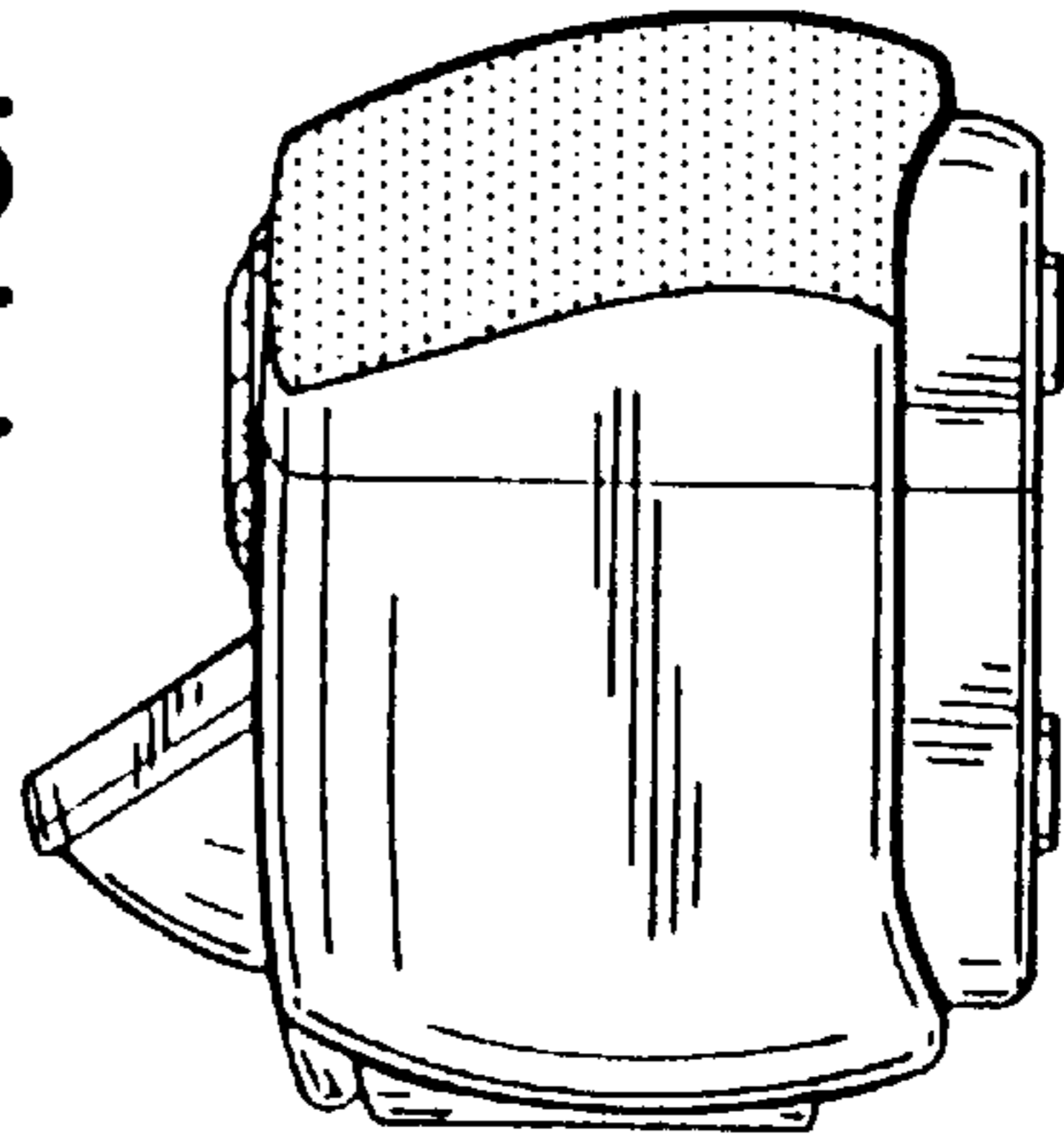


FIG. 5

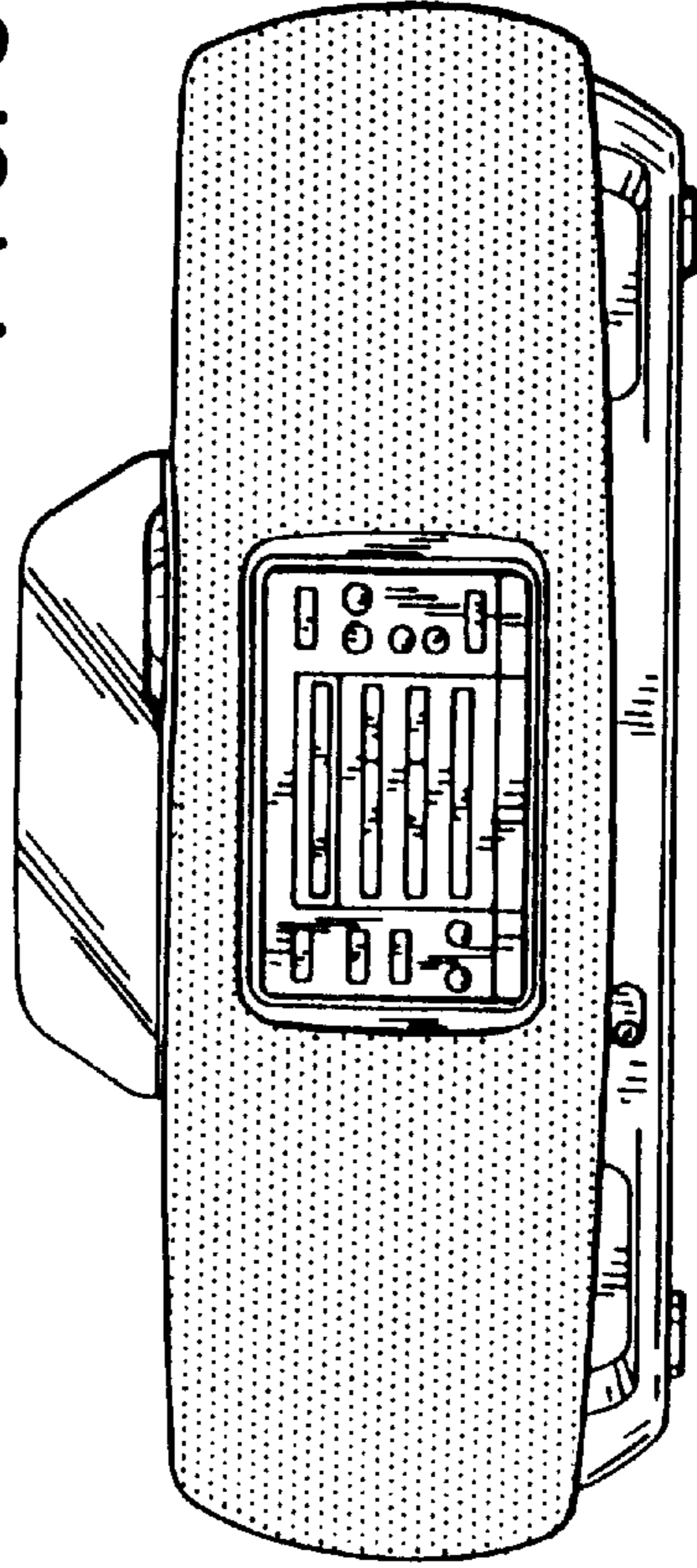


FIG. 6

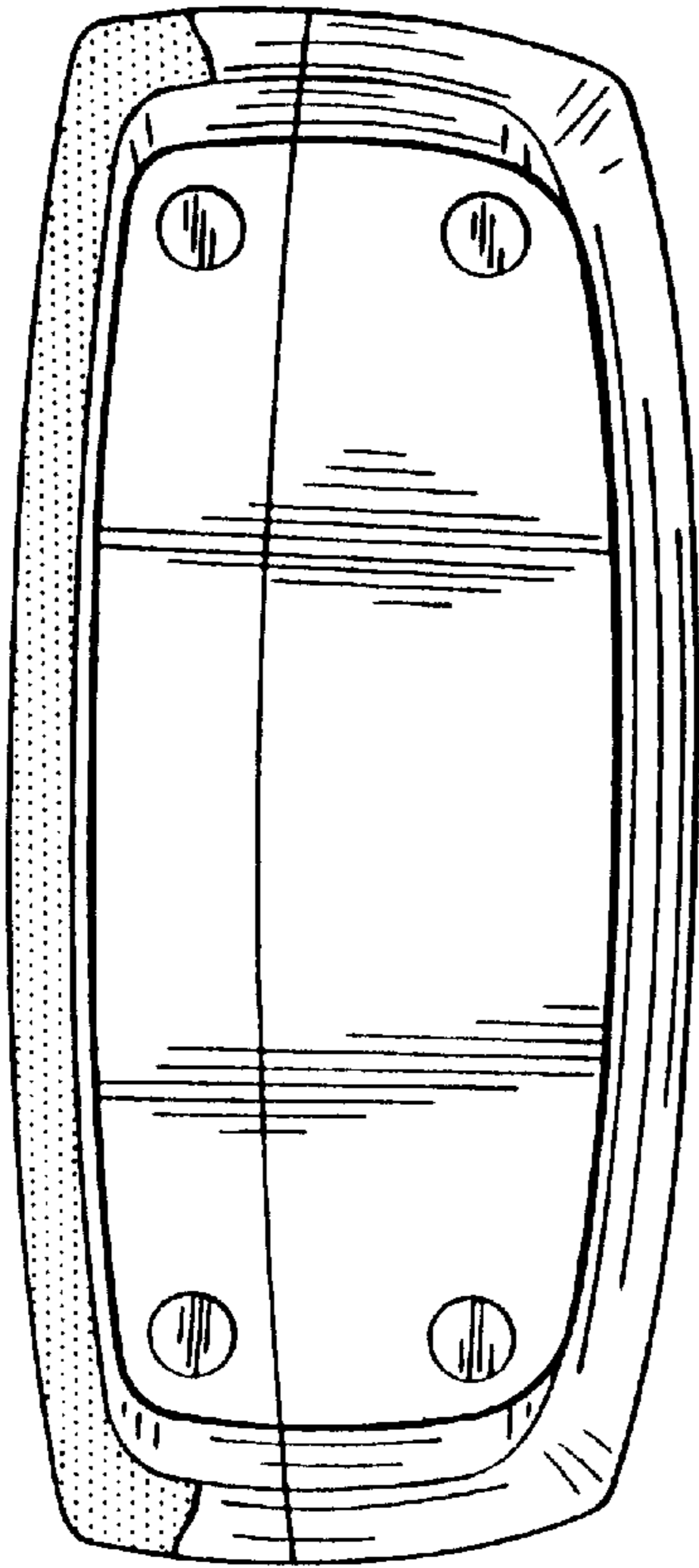


FIG. 7

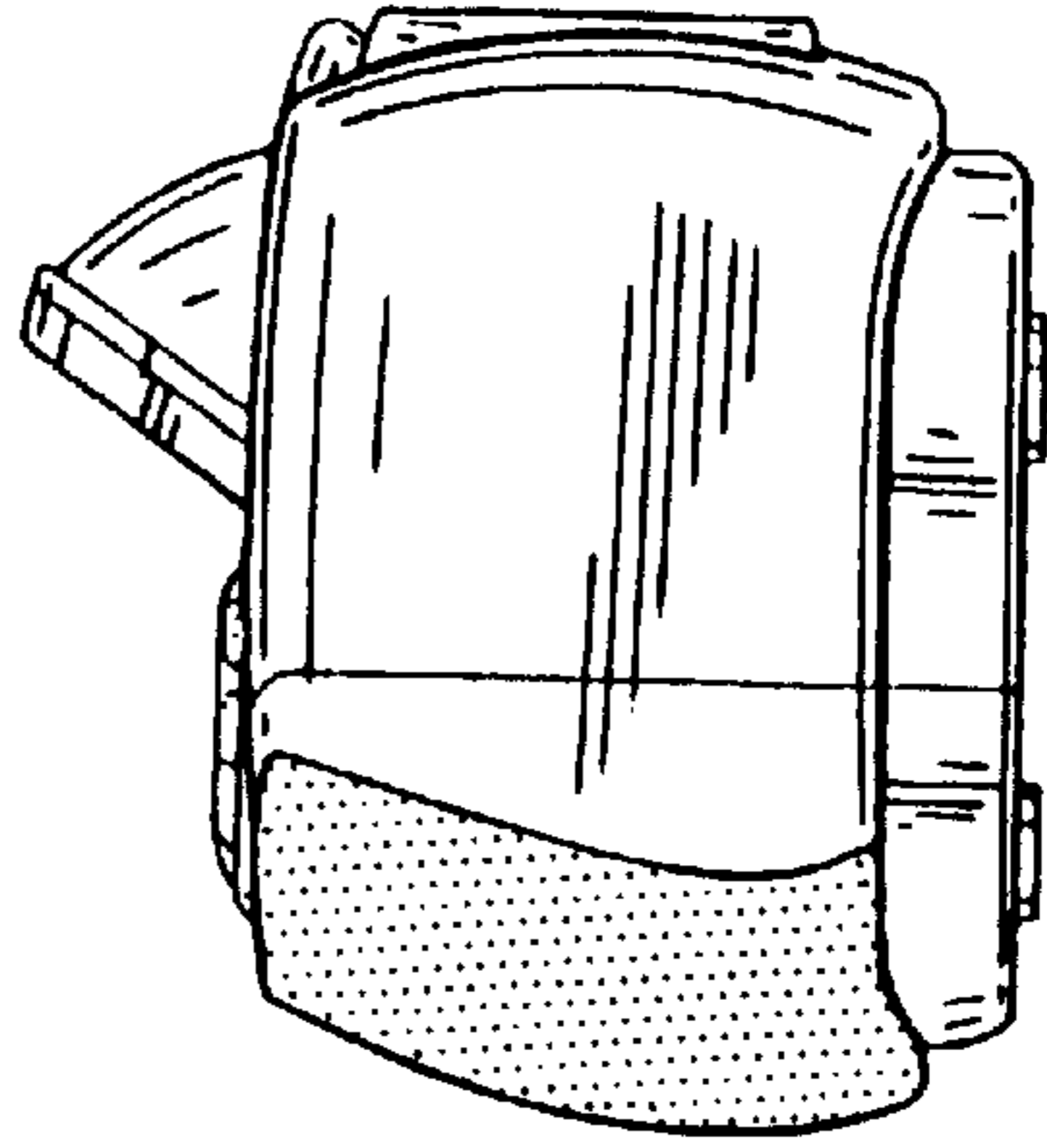


FIG. 8

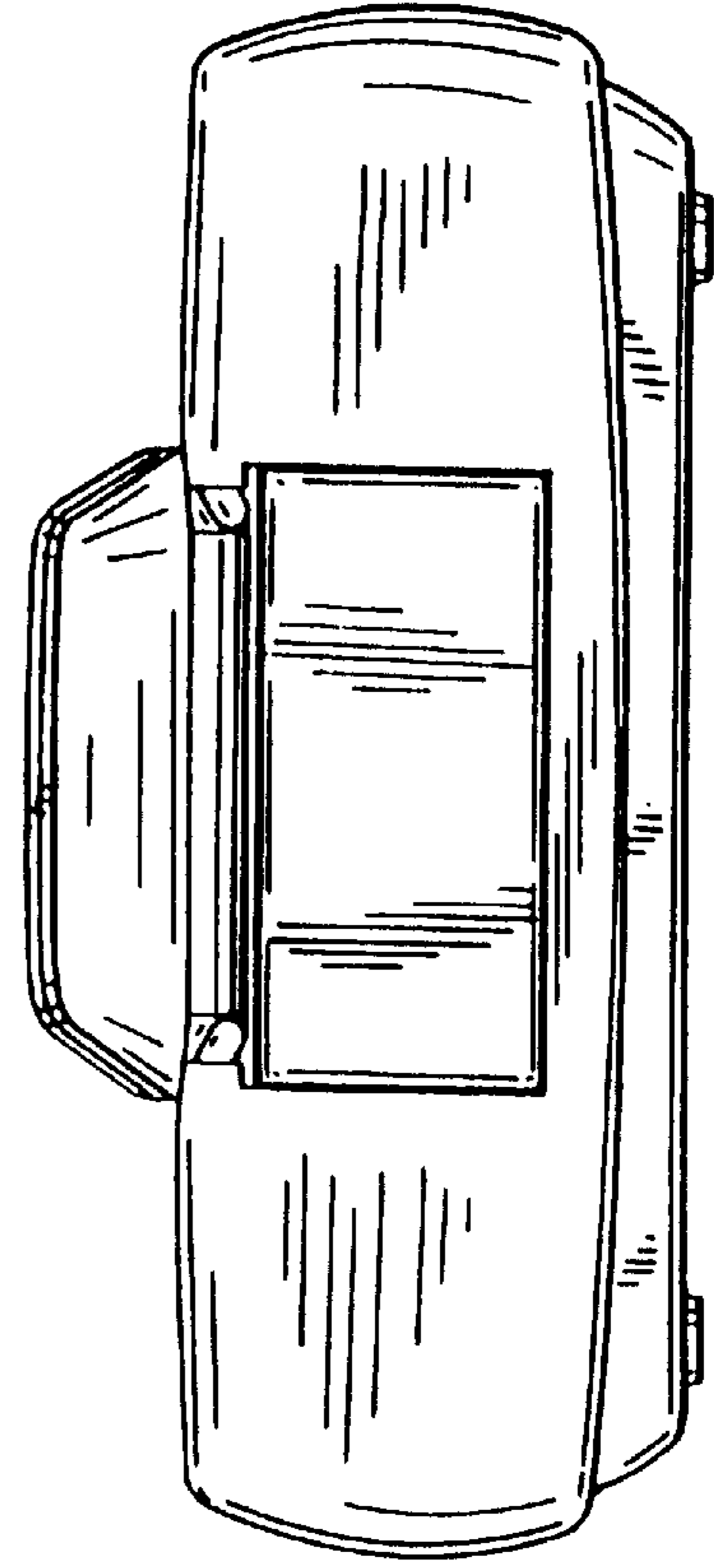


FIG. 9

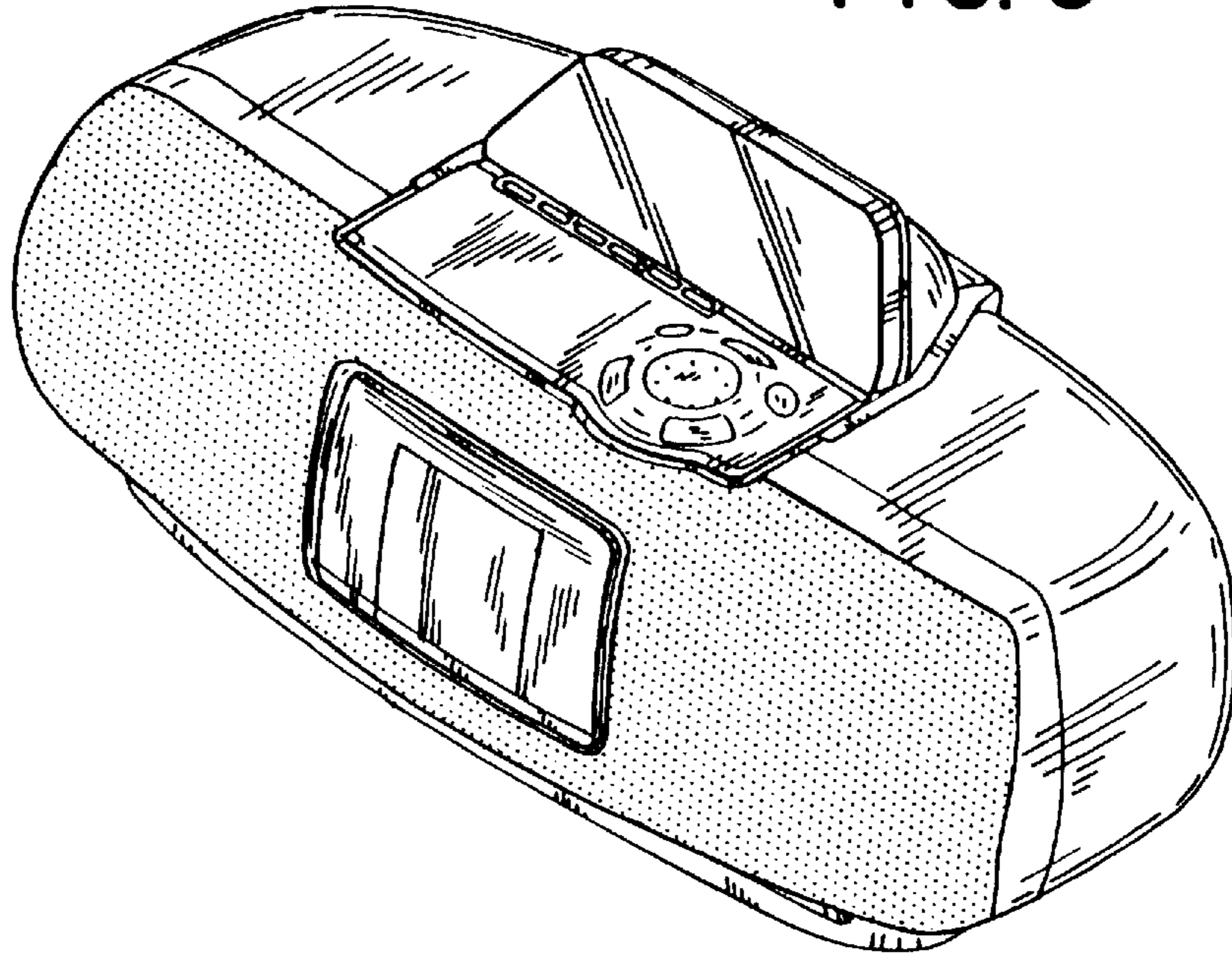


FIG. 10

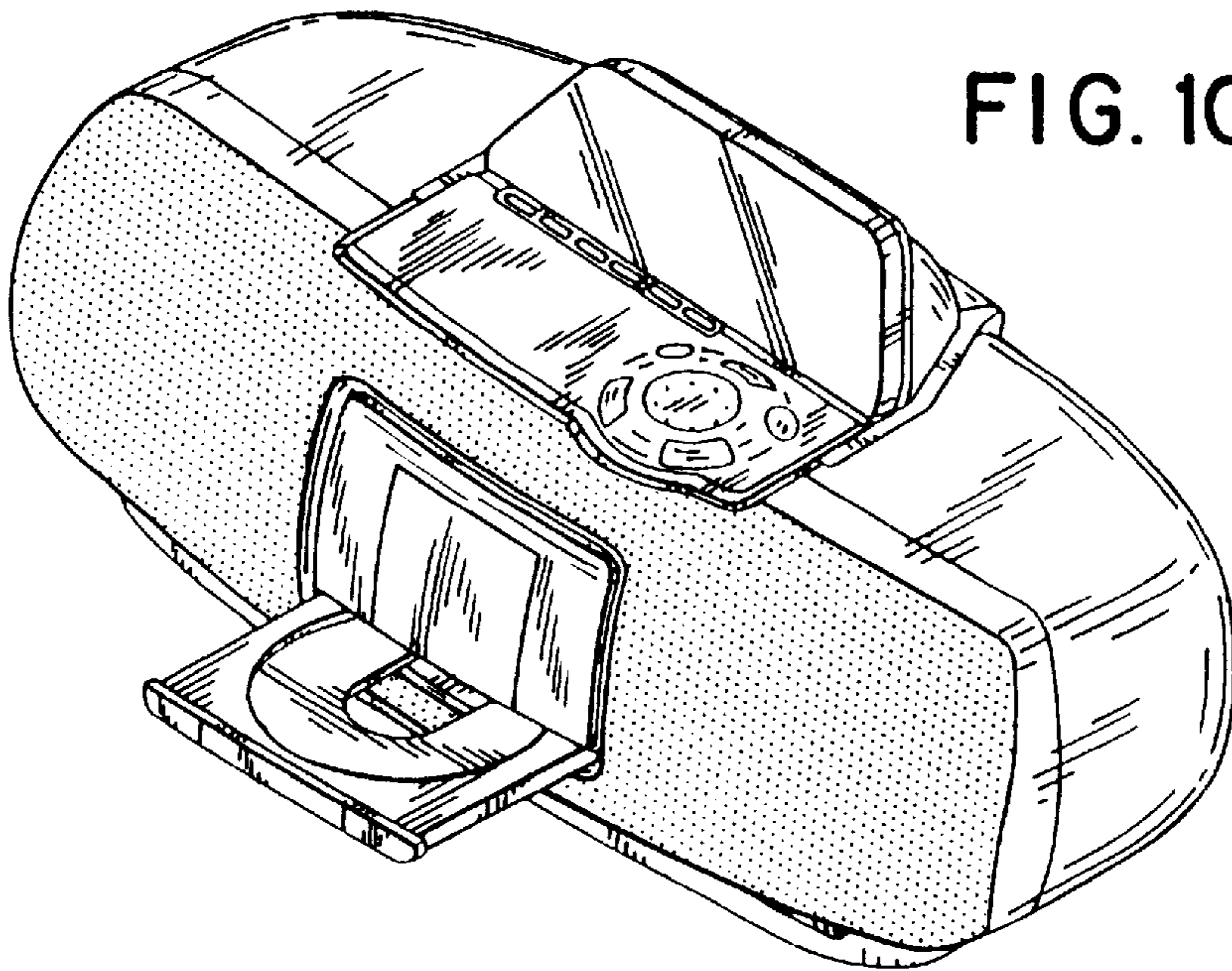


FIG. 11

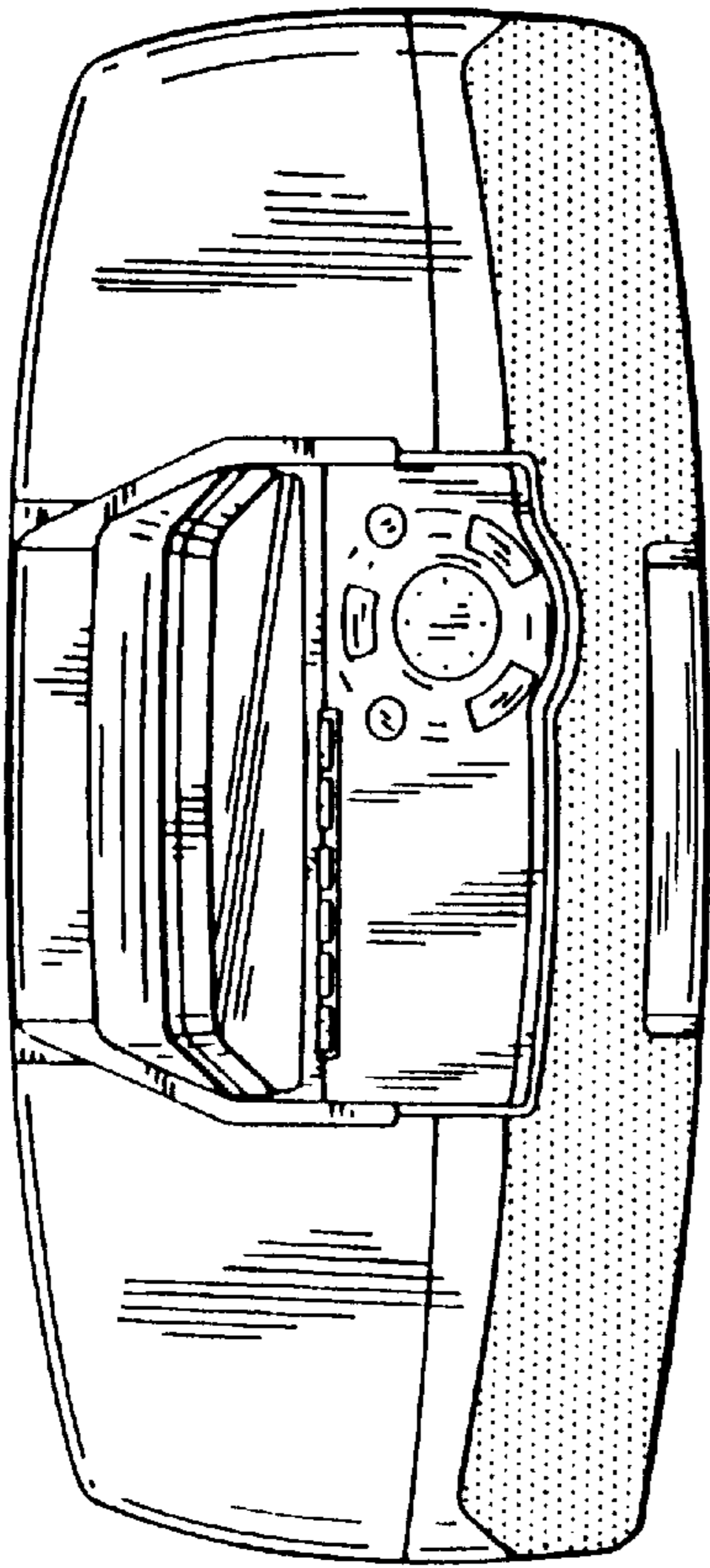


FIG. 13

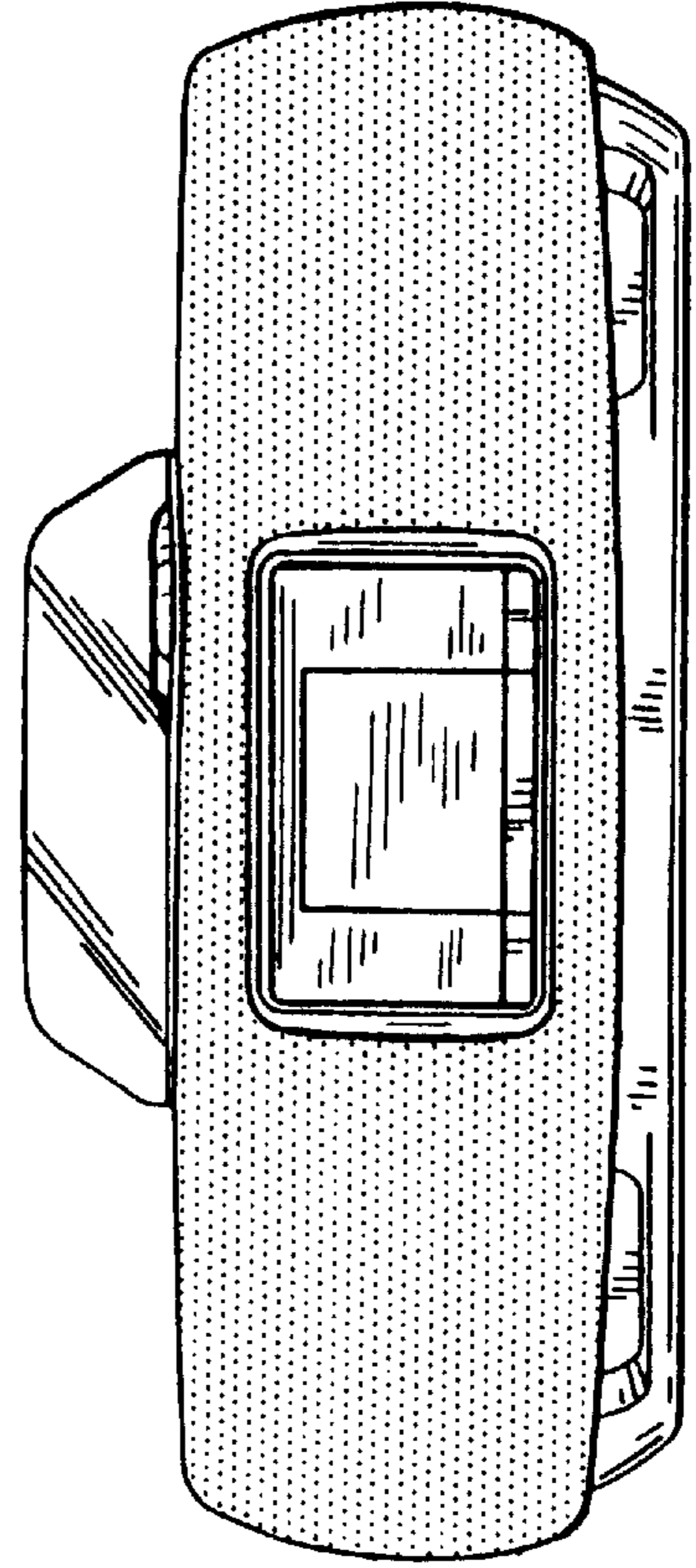


FIG. 12

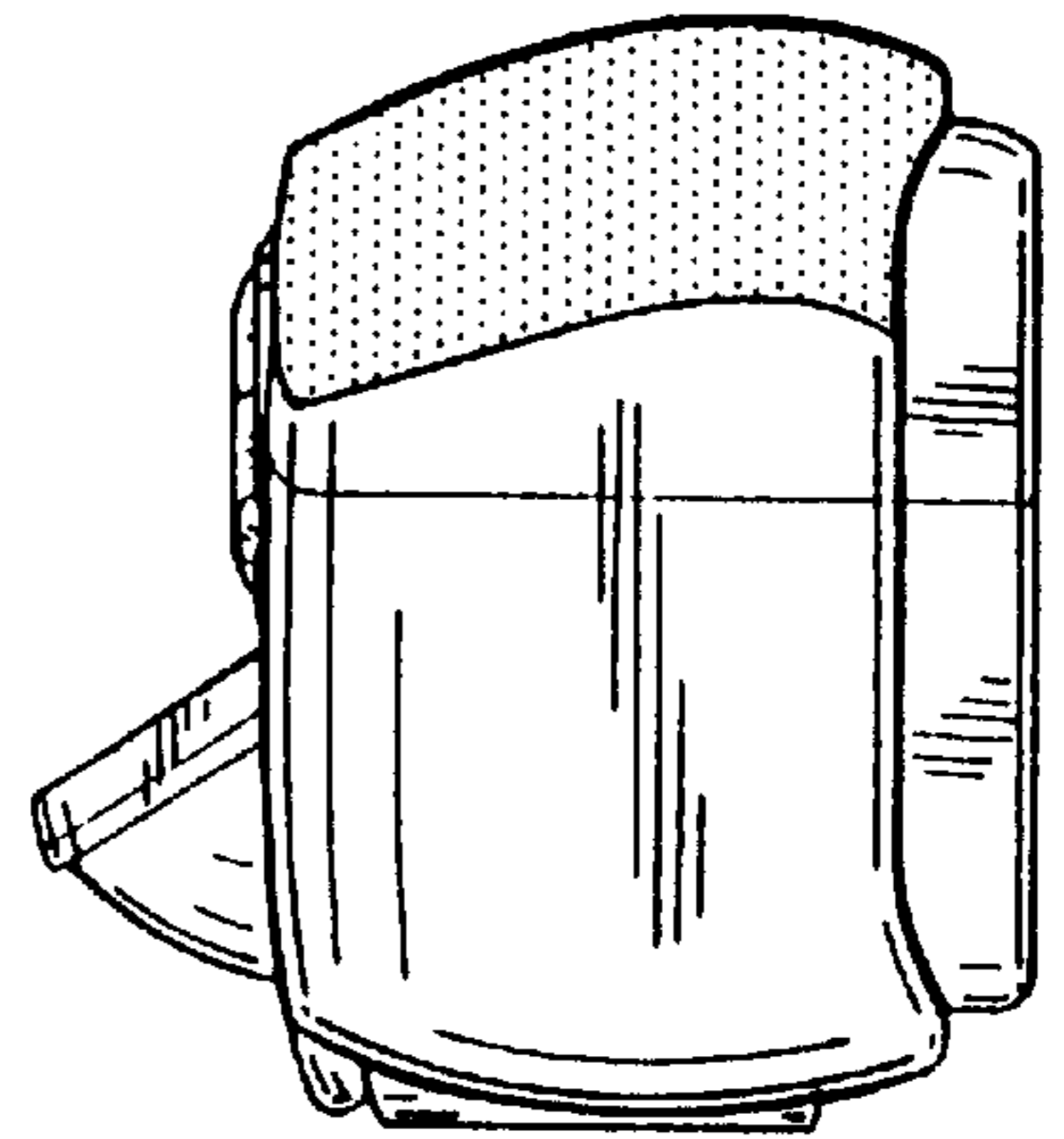


FIG. 14

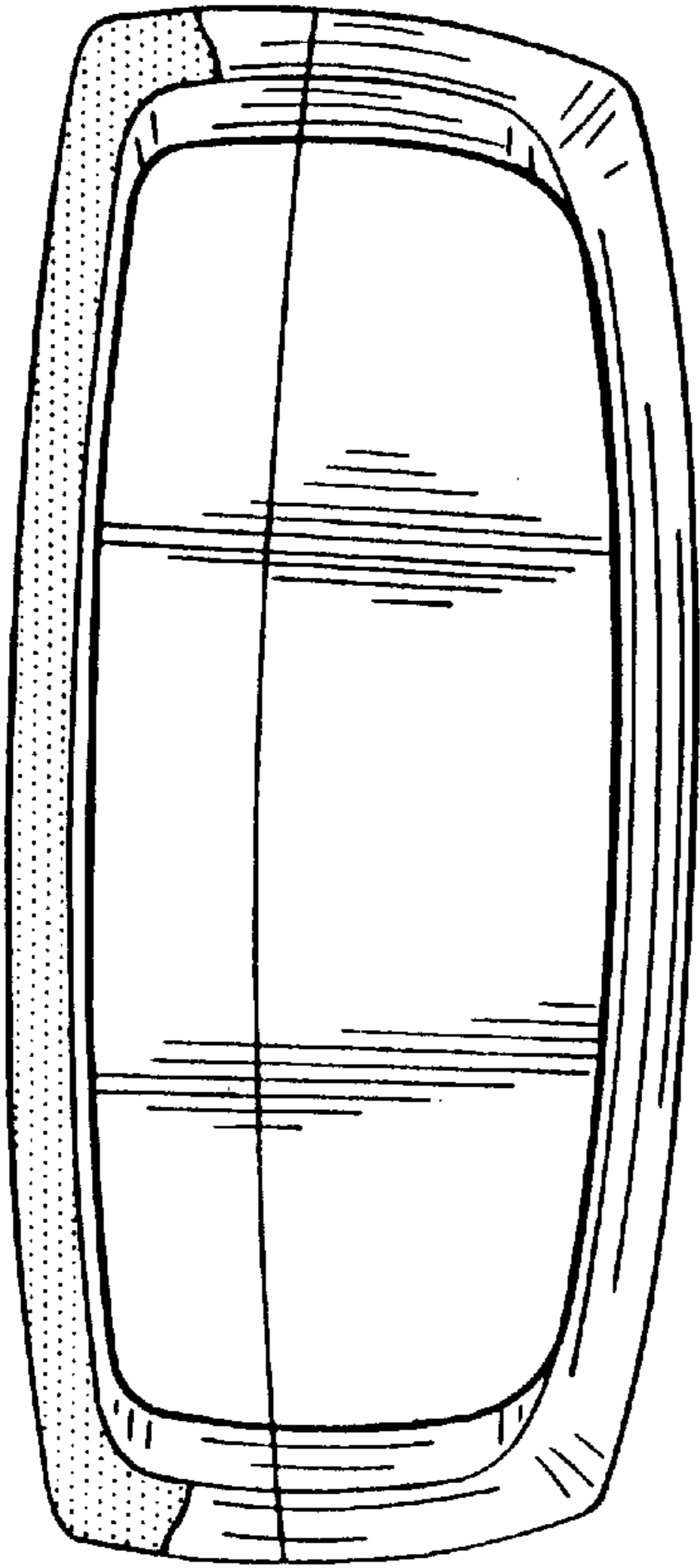


FIG. 16

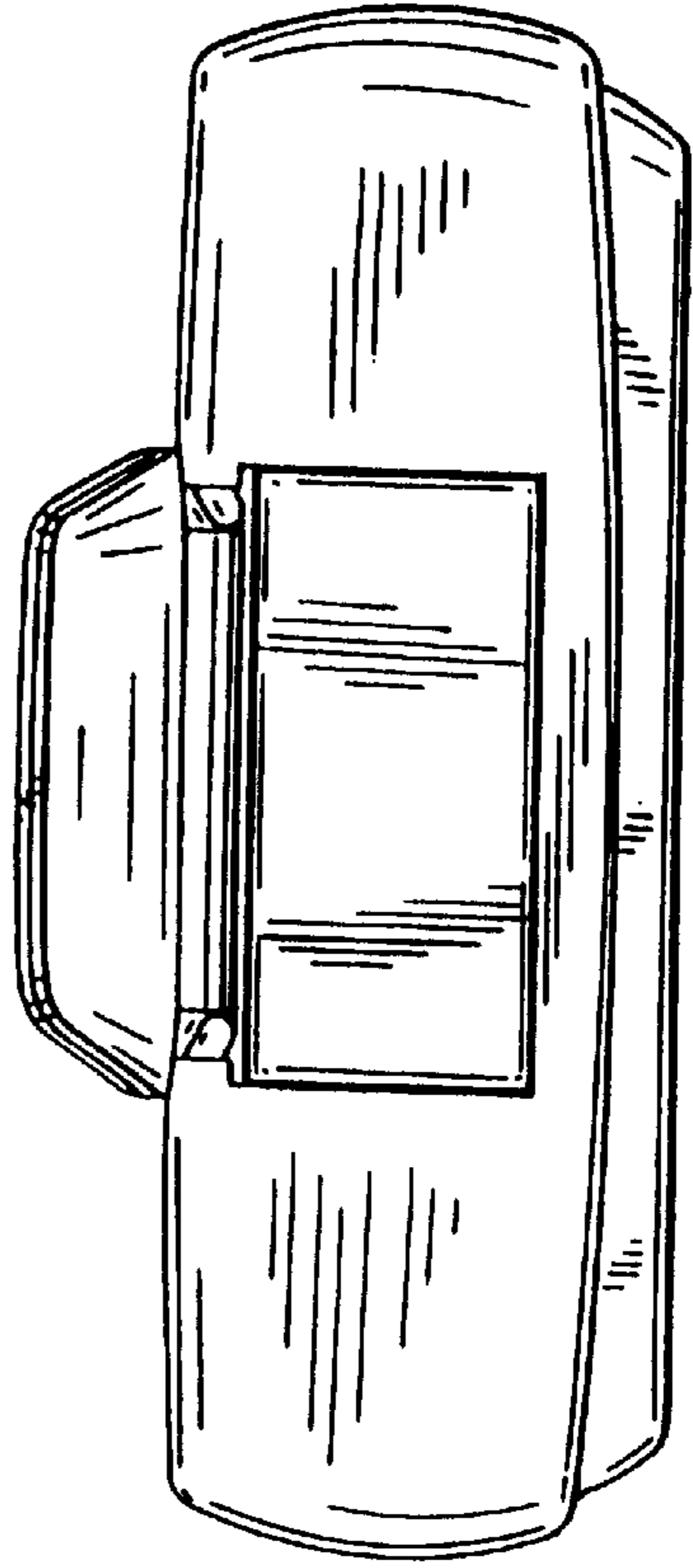


FIG. 15

