



US00D399503S

**United States Patent** [19]  
**Rosen**

[11] **Patent Number: Des. 399,503**  
[45] **Date of Patent: \*\*Oct. 13, 1998**

[54] **CEILING-MOUNTED MONITOR**  
[76] Inventor: **John B. Rosen**, 87580 Cherry Ridge Rd., Eugene, Oreg. 97402  
[\*\*] Term: **14 Years**  
[21] Appl. No.: **72,627**  
[22] Filed: **Jun. 20, 1997**  
[51] **LOC (6) Cl. .... 14-03**  
[52] **U.S. Cl. .... D14/132; D14/113**  
[58] **Field of Search .... D14/113, 124-134, D14/106; D6/513; D12/345, 418; D19/60, 63; 244/118.5; 248/917-924; 312/7.2; 348/825, 827, 837**

5,177,616 1/1993 Riday .  
5,179,447 1/1993 Lain .  
5,195,709 3/1993 Yasushi .  
5,311,302 5/1994 Berry et al. .  
5,362,144 11/1994 Shioya et al. .  
5,547,248 8/1996 Marechal .

*Primary Examiner*—Ted Shooman  
*Assistant Examiner*—Richelle Shelton  
*Attorney, Agent, or Firm*—Kolisch, Hartwell, Dickinson, McCormack & Heuser

[57] **CLAIM**

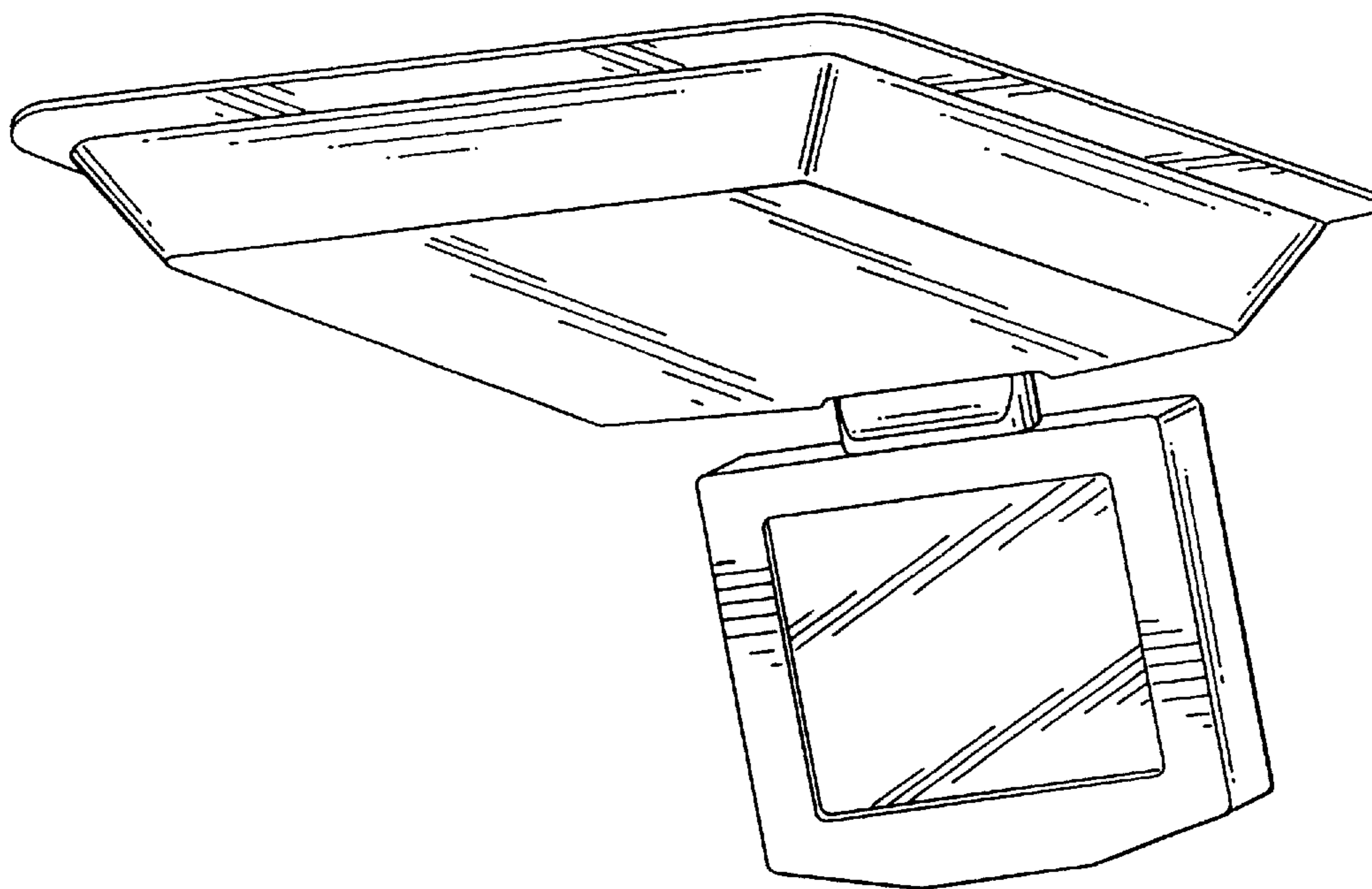
The ornamental design for a ceiling-mounted monitor, as shown and described.

**DESCRIPTION**

FIG. 1 is an isometric view of a ceiling-mounted monitor constructed in accordance with a preferred embodiment of the invention;  
FIG. 2 is a front view thereof;  
FIG. 3 is a rear view thereof;  
FIG. 4 is a bottom view thereof; and,  
FIG. 5 is a right-side view, the left-side view being a mirror image thereof.

[56] **References Cited**  
**U.S. PATENT DOCUMENTS**  
D. 332,715 1/1993 Sedighzadeh et al. .... D6/513  
4,630,821 12/1986 Greenwald .  
4,836,486 6/1989 Vossoughi et al. .  
4,843,447 6/1989 Mizutani et al. .... 348/837  
5,076,524 12/1991 Reh et al. .  
5,096,271 3/1992 Portman ..... 312/7.2  
5,145,128 9/1992 Umeda ..... 244/118.5  
5,161,028 11/1992 Kawata et al. .... 348/837

**1 Claim, 2 Drawing Sheets**



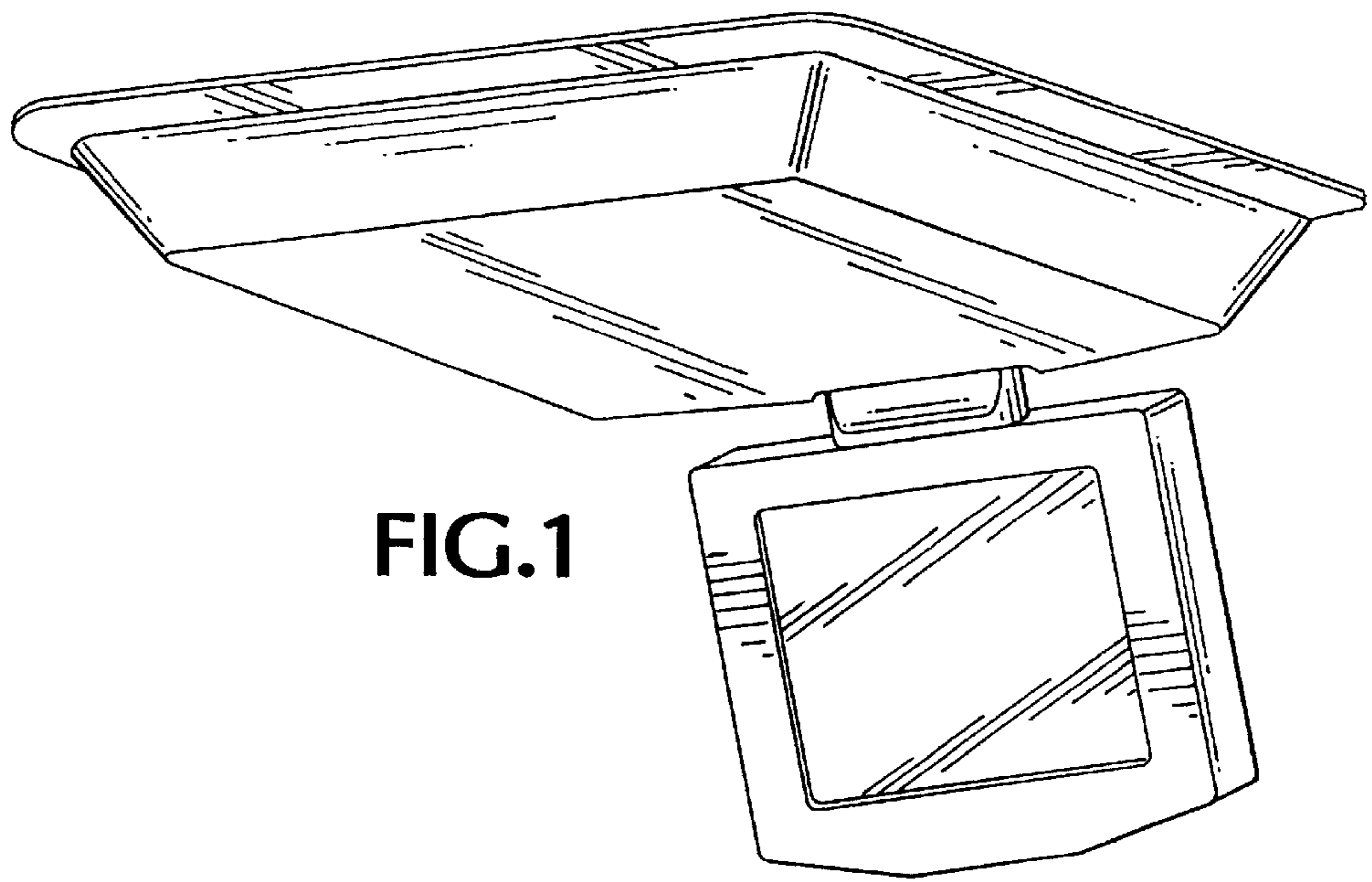


FIG. 1

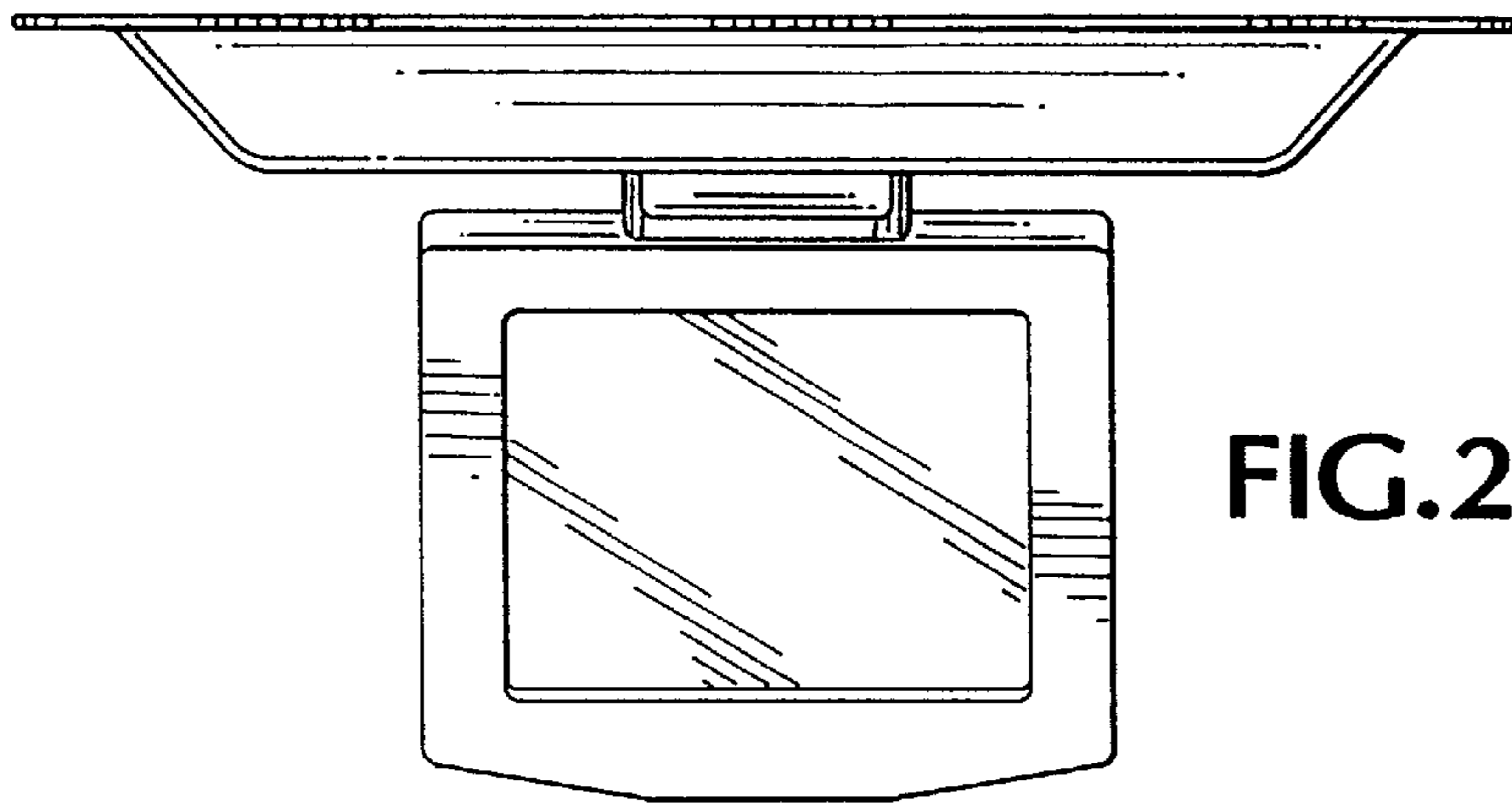


FIG. 2

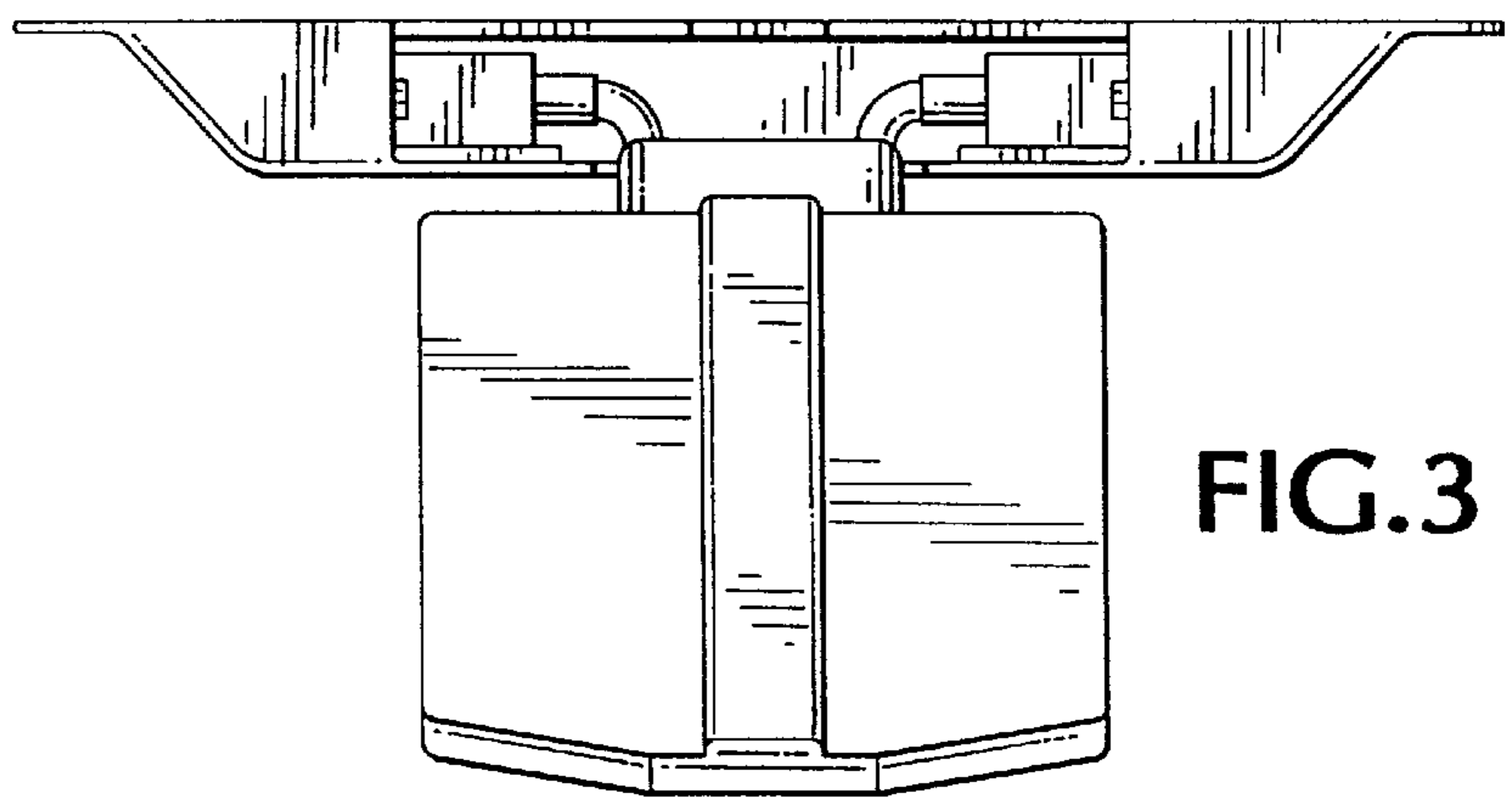


FIG. 3

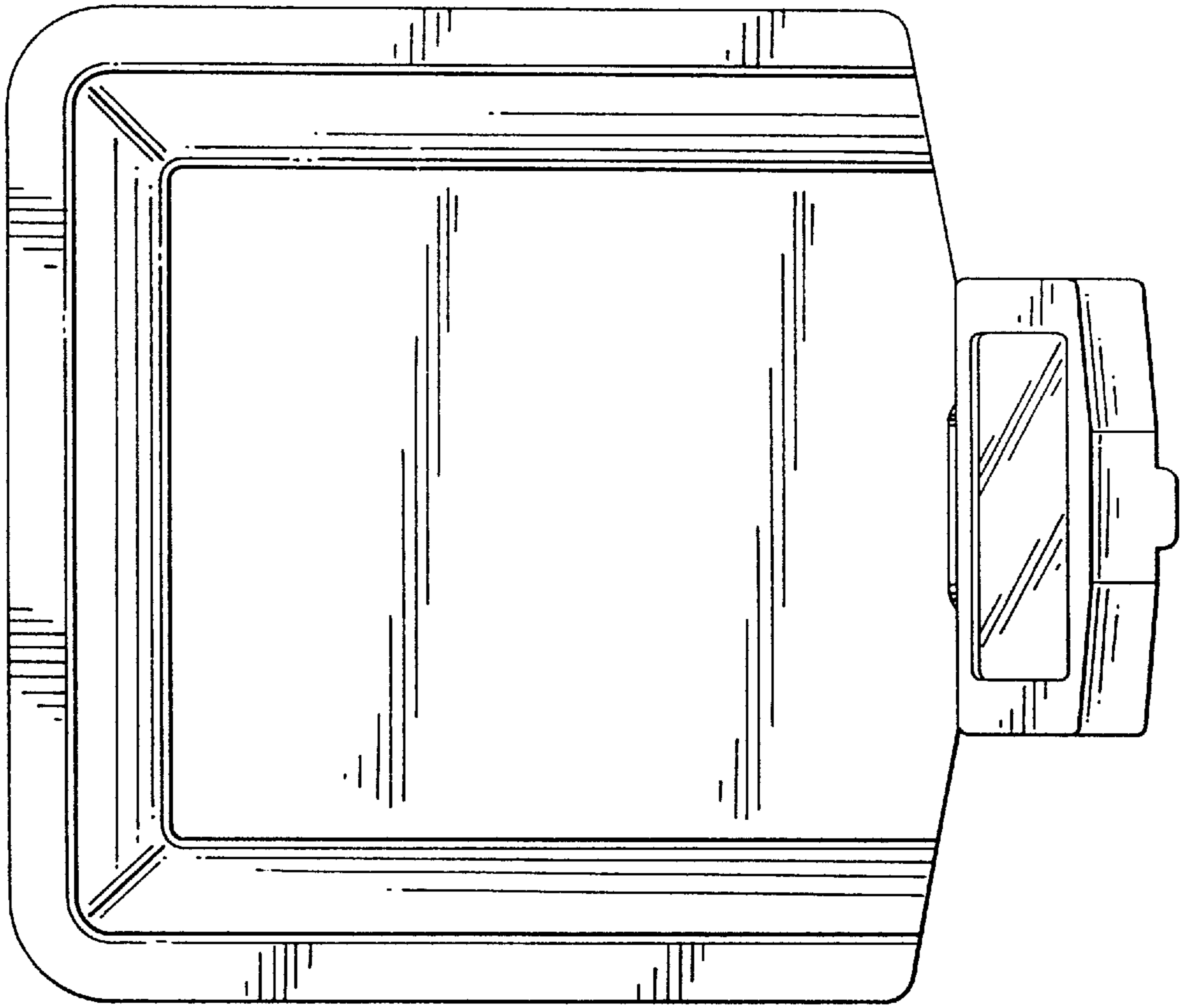


FIG. 4

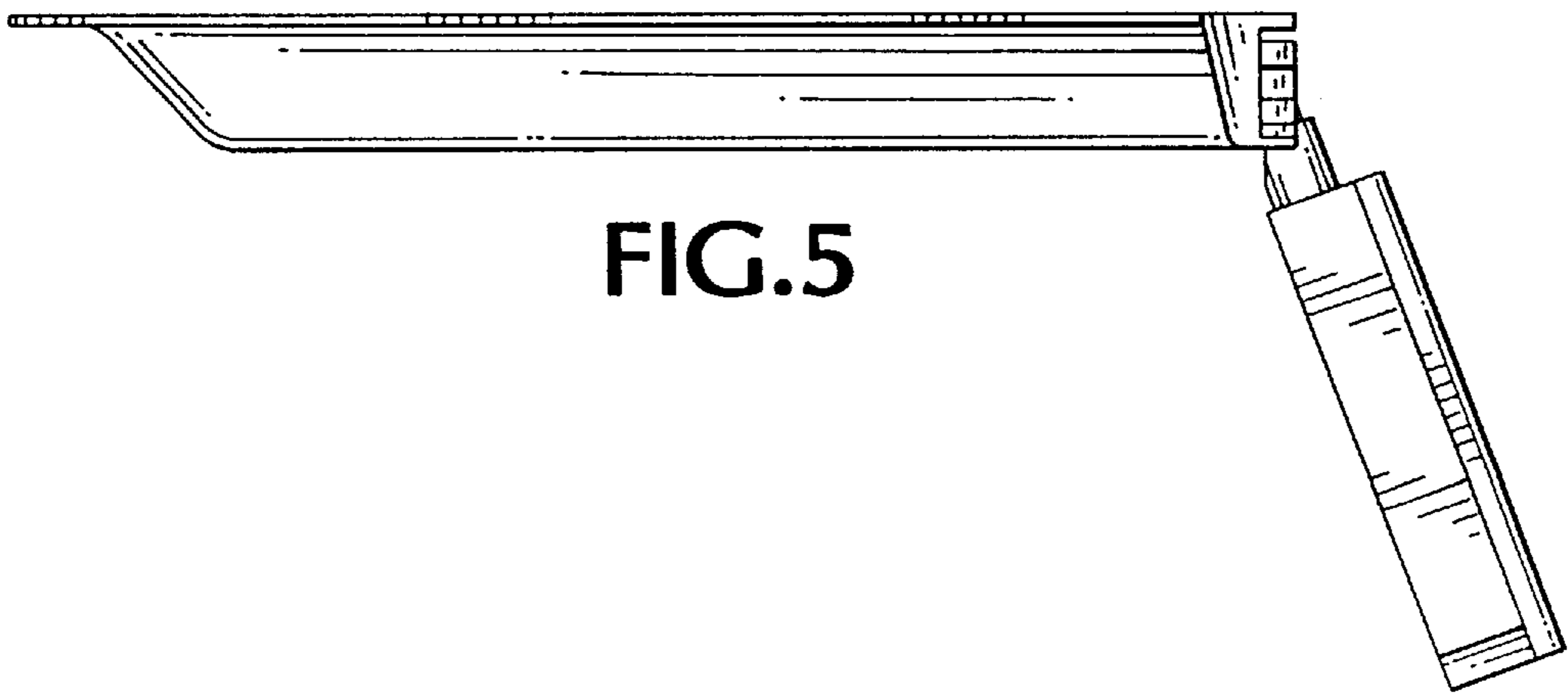


FIG. 5