



US00D399502S

United States Patent [19] Klinker

[11] Patent Number: **Des. 399,502**

[45] Date of Patent: ****Oct. 13, 1998**

[54] **PROCESSOR CARD ASSEMBLY**

[75] Inventor: **Thomas S. Klinker**, San Francisco, Calif.

[73] Assignee: **Intel Corporation**, Santa Clara, Calif.

[**] Term: **14 Years**

[21] Appl. No.: **61,737**

[22] Filed: **Oct. 29, 1996**

[51] **LOC (6) Cl.** **14-02**

[52] **U.S. Cl.** **D14/117**

[58] **Field of Search** D13/182; D14/114, D14/117; D18/12; 235/380, 381, 487, 492; 257/678; 361/737, 816; 364/246.6, 249, 249.2

D. 362,846	10/1995	Inoue et al. .	
D. 365,556	12/1995	Inoue et al. .	
D. 369,352	4/1996	Iwakami .	
D. 371,353	7/1996	Ashida et al. .	
D. 374,442	10/1996	Ozaki .	
D. 374,665	10/1996	Miyaki .	
D. 376,795	12/1996	Ashida .	
D. 377,488	1/1997	Ashida .	
D. 379,977	6/1997	Ueda .	
4,924,076	5/1990	Kitamura	235/492
5,031,076	7/1991	Kiku	361/816
5,260,601	11/1993	Baudouin et al.	257/678
5,528,459	6/1996	Ainsbury et al.	361/737
5,563,771	10/1996	Bethurum	361/737

Primary Examiner—James Gandy
Assistant Examiner—Cathron B. Matta
Attorney, Agent, or Firm—Blakely, Sokoloff, Taylor & Zafman

[57] CLAIM

The ornamental design for a processor card assembly, as shown and described.

DESCRIPTION

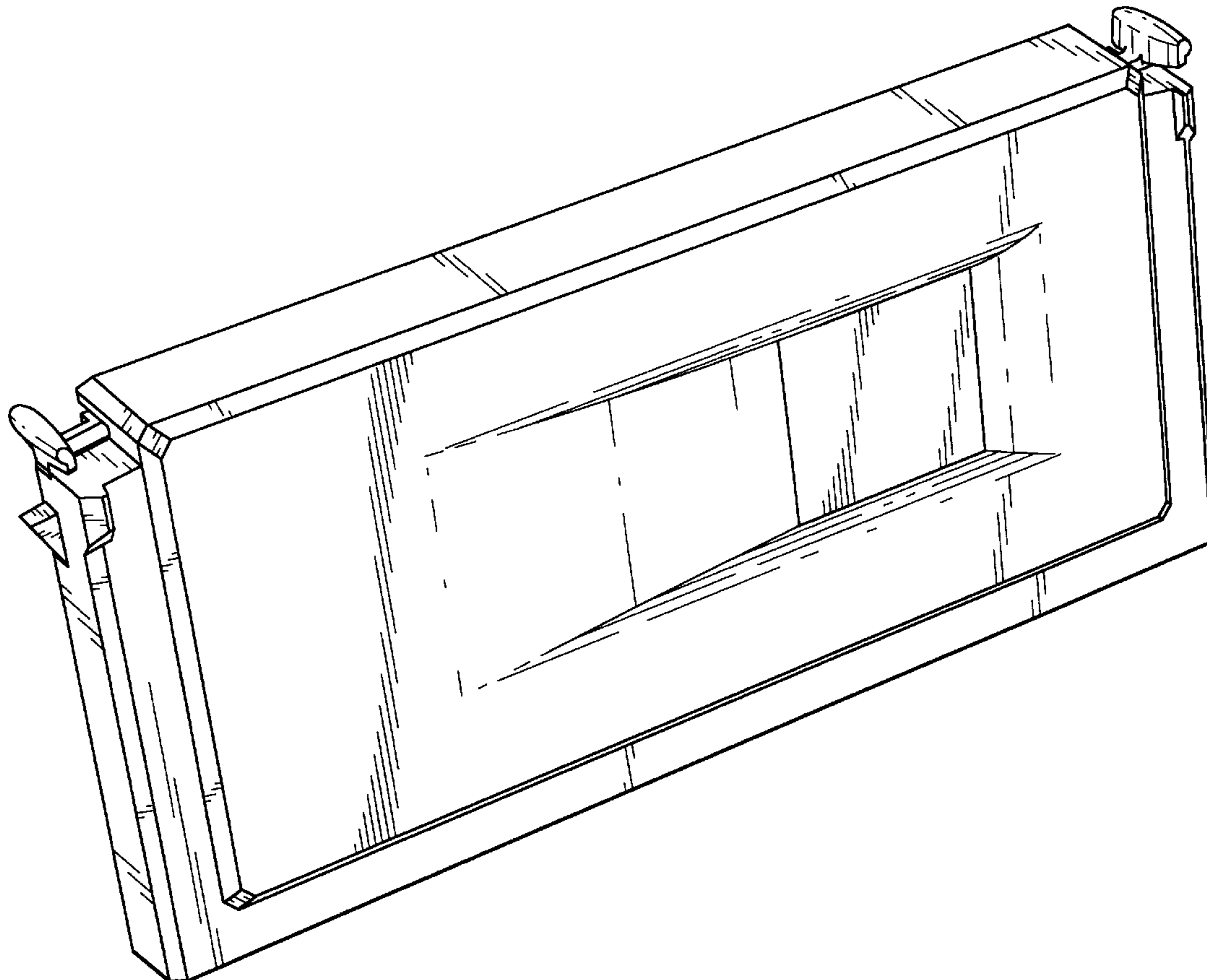
FIG. 1 is a perspective view of a processor card assembly; FIGS. 2-3 are front and left side views of the processor card assembly; and, FIGS. 4-7 are back, right side, top and bottom views of the processor card assembly.

1 Claim, 3 Drawing Sheets

[56] References Cited

U.S. PATENT DOCUMENTS

D. 291,698	9/1987	Hirooka et al.	D14/114
D. 306,576	3/1990	Hiatt et al.	D13/182
D. 320,203	9/1991	Ashida .	
D. 320,225	9/1991	Ido et al.	D18/12
D. 321,429	11/1991	Kojo .	
D. 343,833	2/1994	Barr et al. .	
D. 344,504	2/1994	Barr et al. .	
D. 344,725	3/1994	Barr et al. .	
D. 355,414	2/1995	Inoue et al. .	



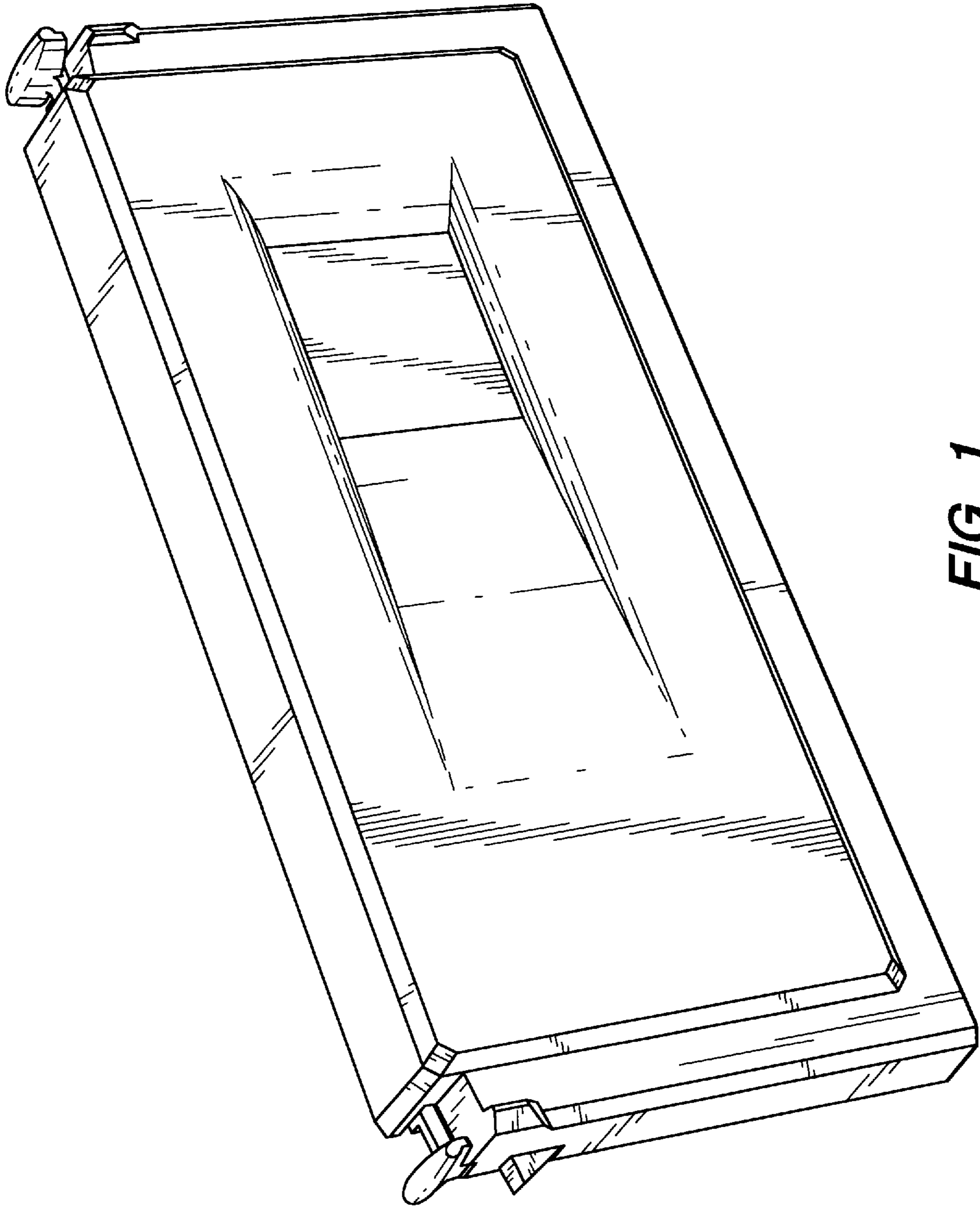


FIG. 1

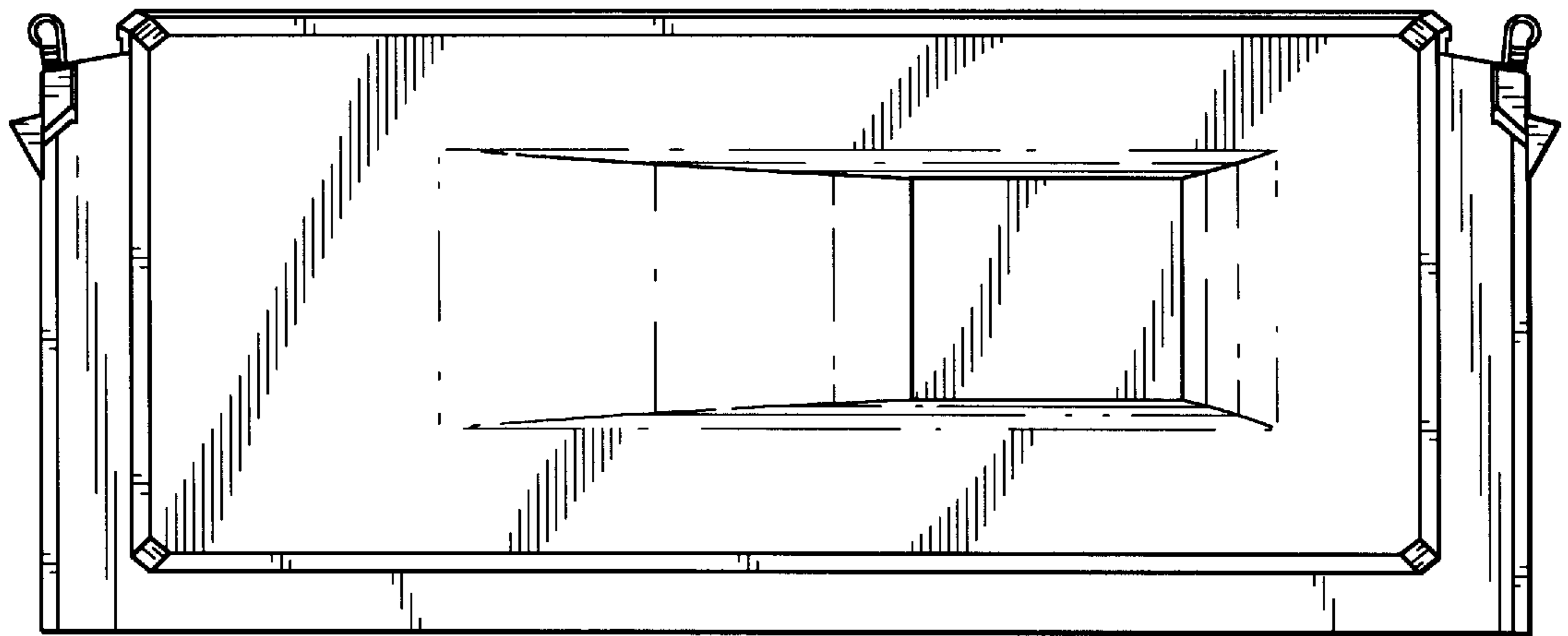


FIG. 2



FIG. 3

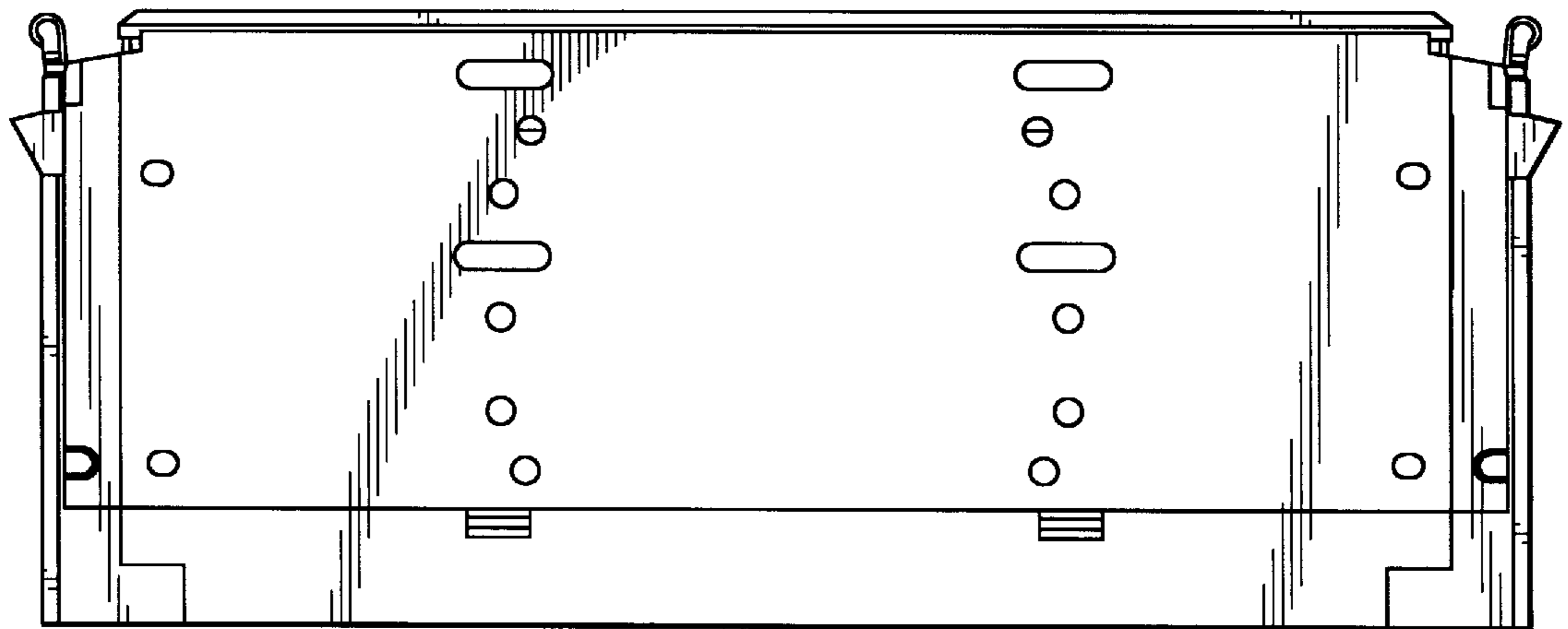


FIG. 4

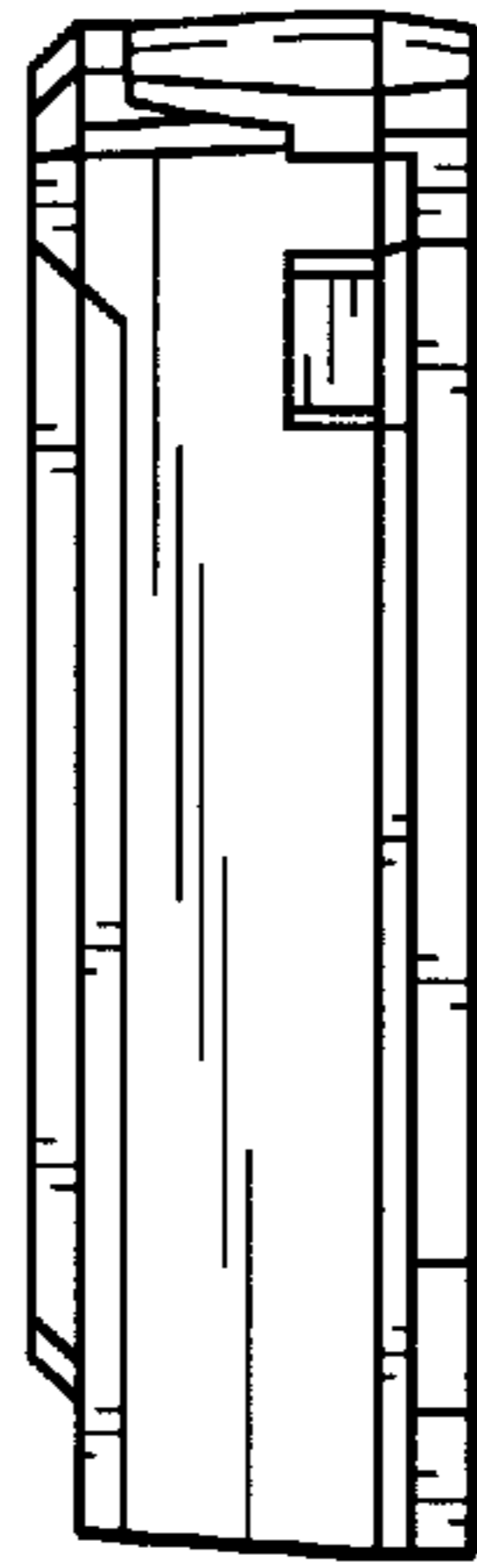


FIG. 5

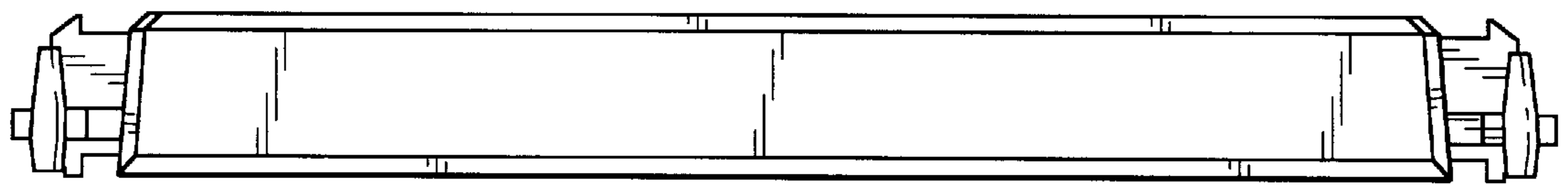


FIG. 6

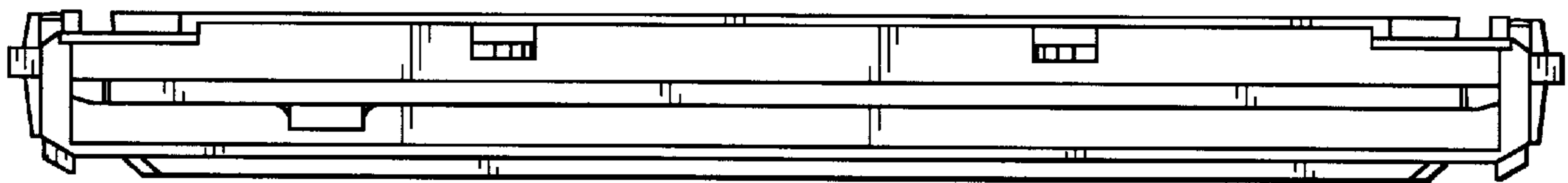


FIG. 7