



US00D399500S

United States Patent [19] Ikenaga

[11] **Patent Number: Des. 399,500**

[45] **Date of Patent: **Oct. 13, 1998**

[54] **RECORDING PLAYER FOR OPTICAL MAGNETIC DISC**

D. 381,321 7/1997 Yamauchi et al. D14/107
D. 383,452 9/1997 Thompson et al. D14/107 X

[75] Inventor: **Takashi Ikenaga**, Tokyo, Japan

Primary Examiner—M. H. Tung
Attorney, Agent, or Firm—Morgan & Finnegan LLP

[73] Assignee: **Sony Kabushiki Kaisha**, Tokyo, Japan

[**] Term: **14 Years**

[57] **CLAIM**

The ornamental design for the recording player for optical magnetic disc, as shown and described.

[21] Appl. No.: **52,437**

DESCRIPTION

[22] Filed: **Mar. 29, 1996**

[30] **Foreign Application Priority Data**

Oct. 6, 1995 [JP] Japan 7-29719

FIG. 1 is a perspective view of a recording player for optical magnetic disc in accordance with the present invention; FIG. 2 is a front elevation view of the recording player for optical magnetic disc of FIG. 1; FIG. 3 is a rear elevation view of the recording player for optical magnetic disc of FIG. 1; FIG. 4 is a right-side elevation view of the recording player for optical magnetic disc of FIG. 1; FIG. 5 is a left-side elevation view of the recording player for optical magnetic disc of FIG. 1; FIG. 6 is a bottom plan view of the recording player for optical magnetic disc of FIG. 1; and, FIG. 7 is a top plan view of the recording player for optical magnetic disc of FIG. 1.

[51] **LOC (6) Cl.** **14-02**

[52] **U.S. Cl.** **D14/114; D14/109**

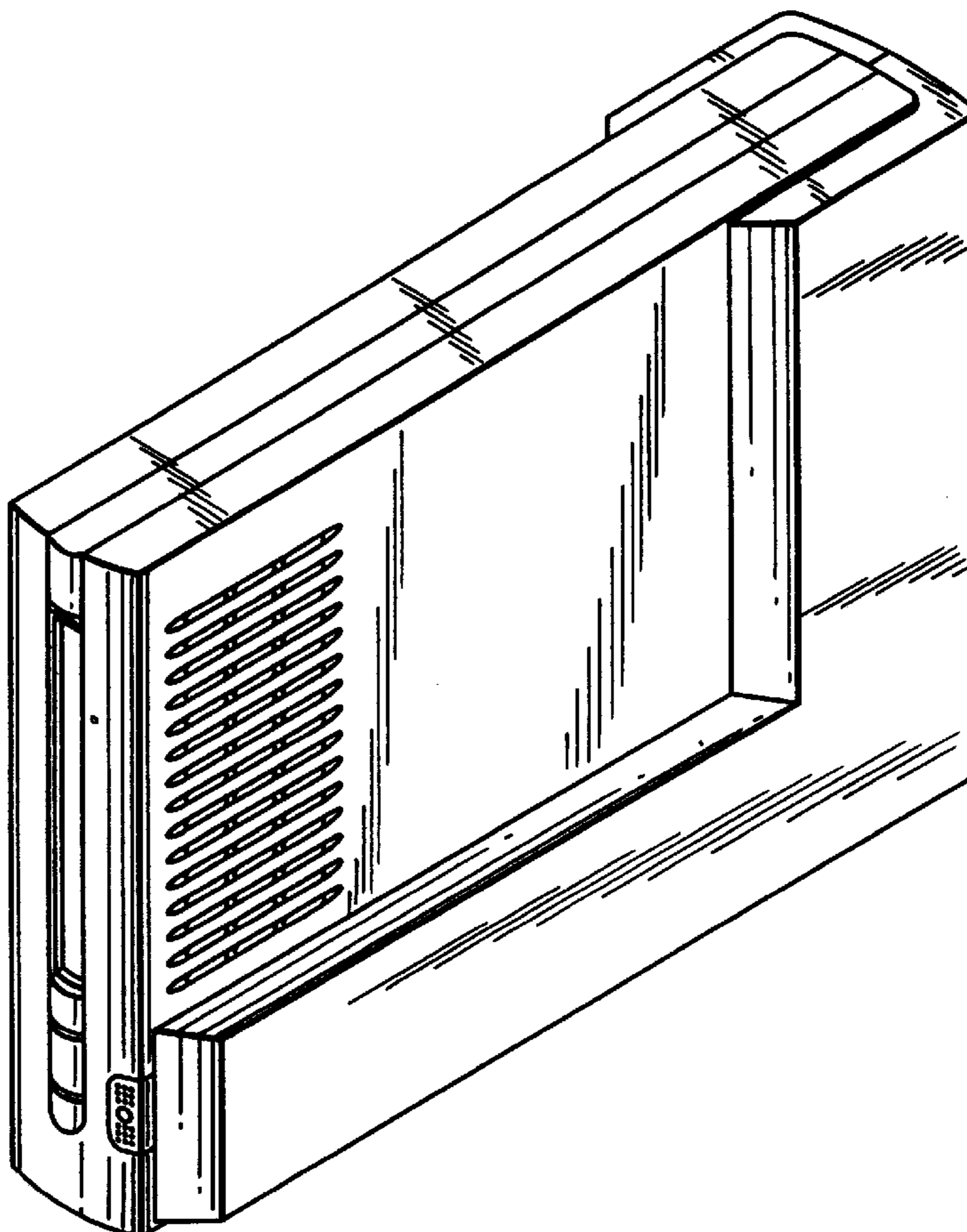
[58] **Field of Search** D14/100, 107-13,
D14/114; 360/97.01, 99.12; 361/600, 679,
683-7; D13/162, 184, 199

[56] **References Cited**

U.S. PATENT DOCUMENTS

D. 334,917 4/1993 Miyamoto D14/108
D. 377,481 1/1997 Miyamoto et al. D14/108
D. 377,646 1/1997 Hirabayashi D14/107
D. 380,460 7/1997 Alfonso et al. D14/107 X

1 Claim, 3 Drawing Sheets



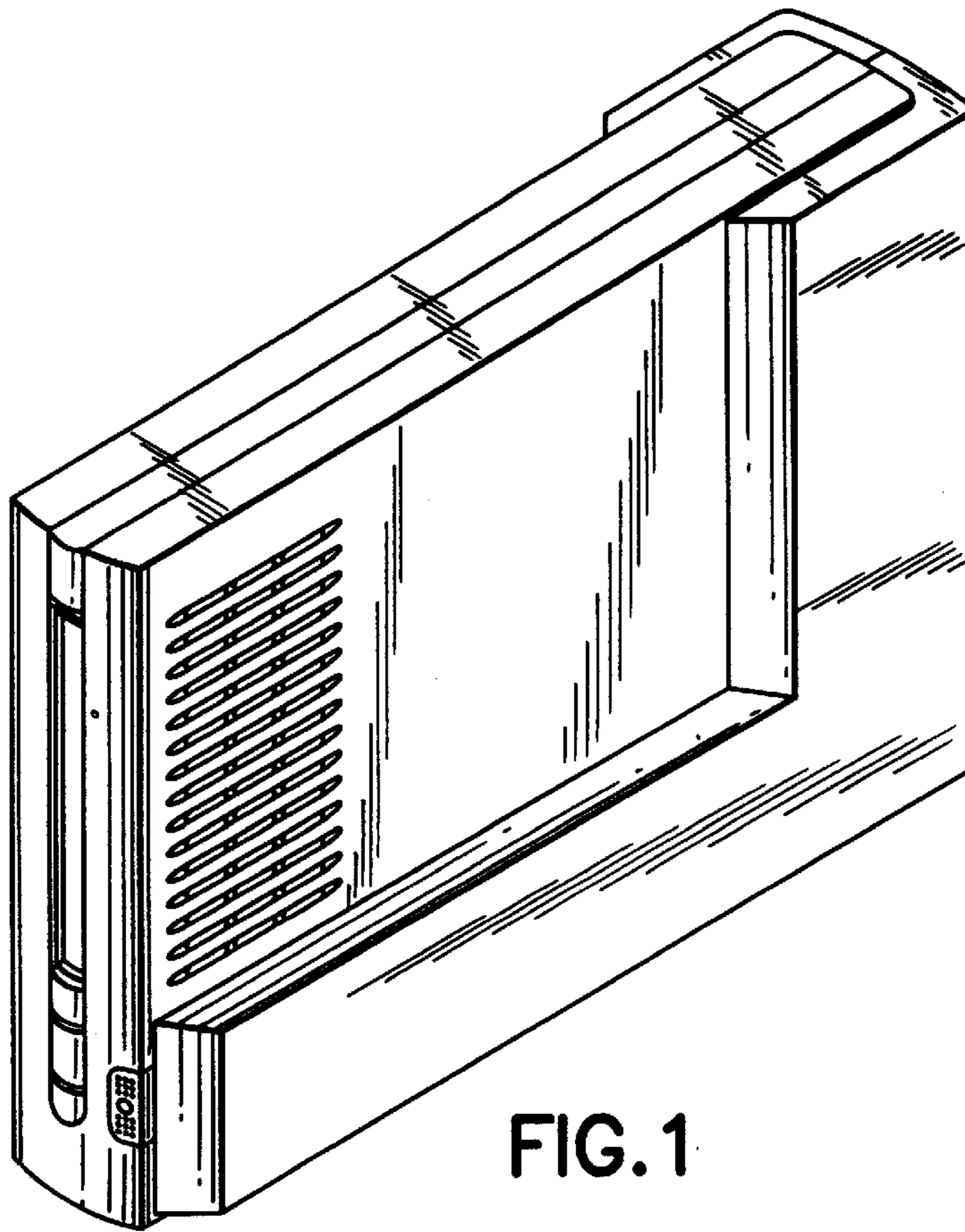


FIG. 1

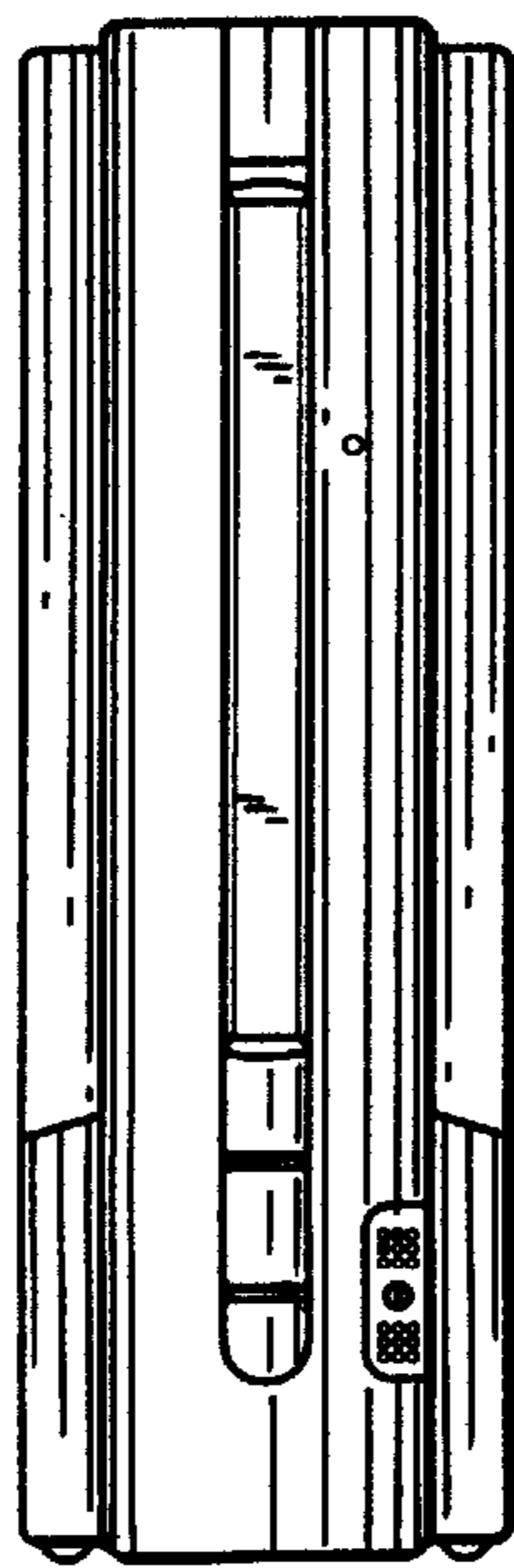


FIG. 2

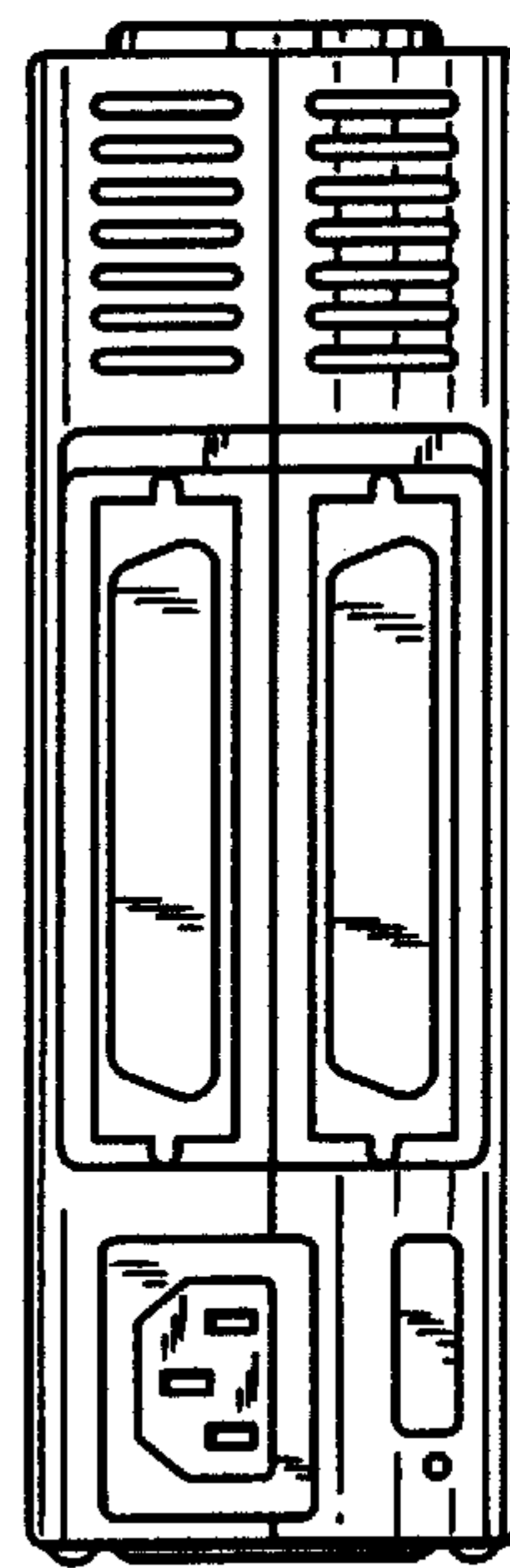


FIG. 3

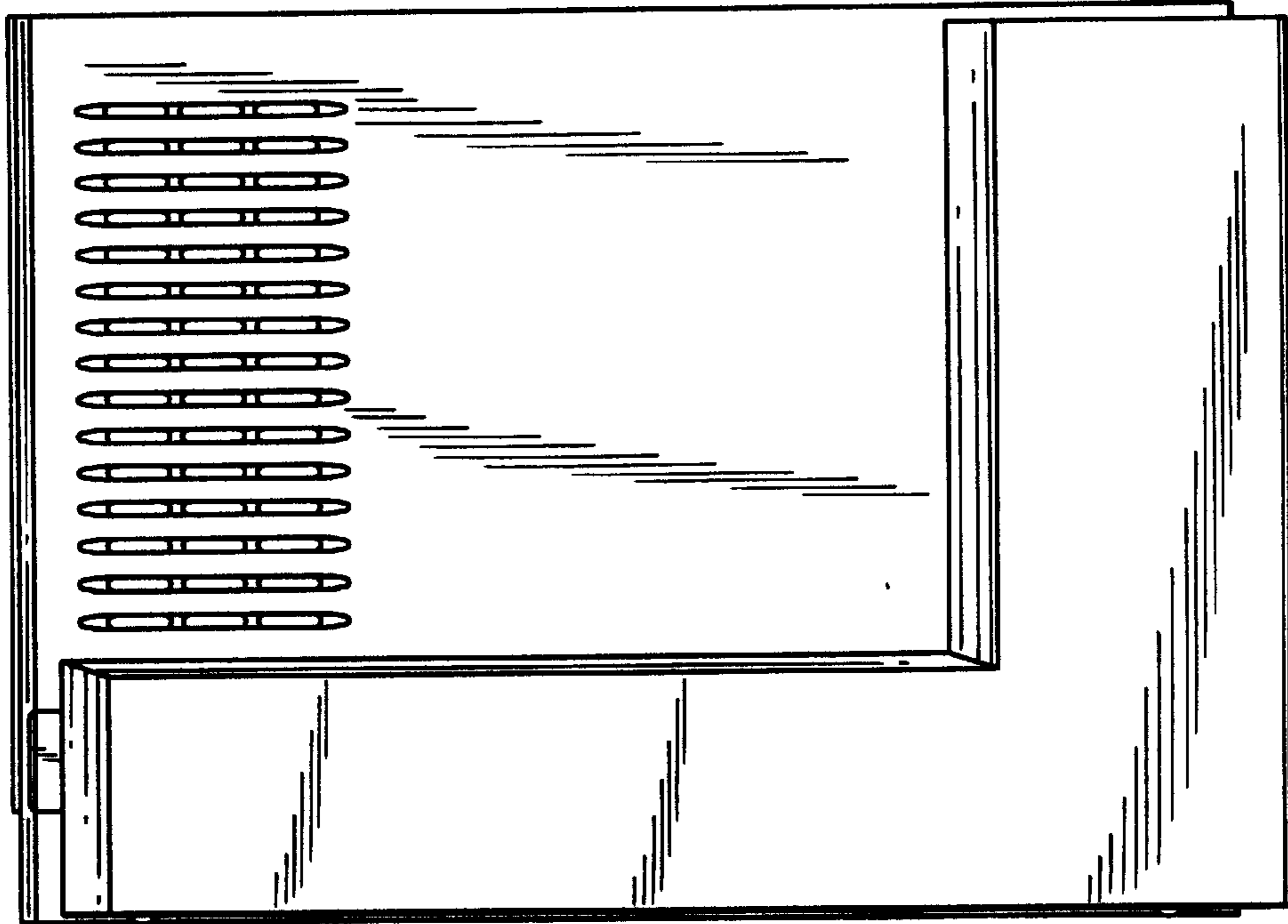


FIG. 4

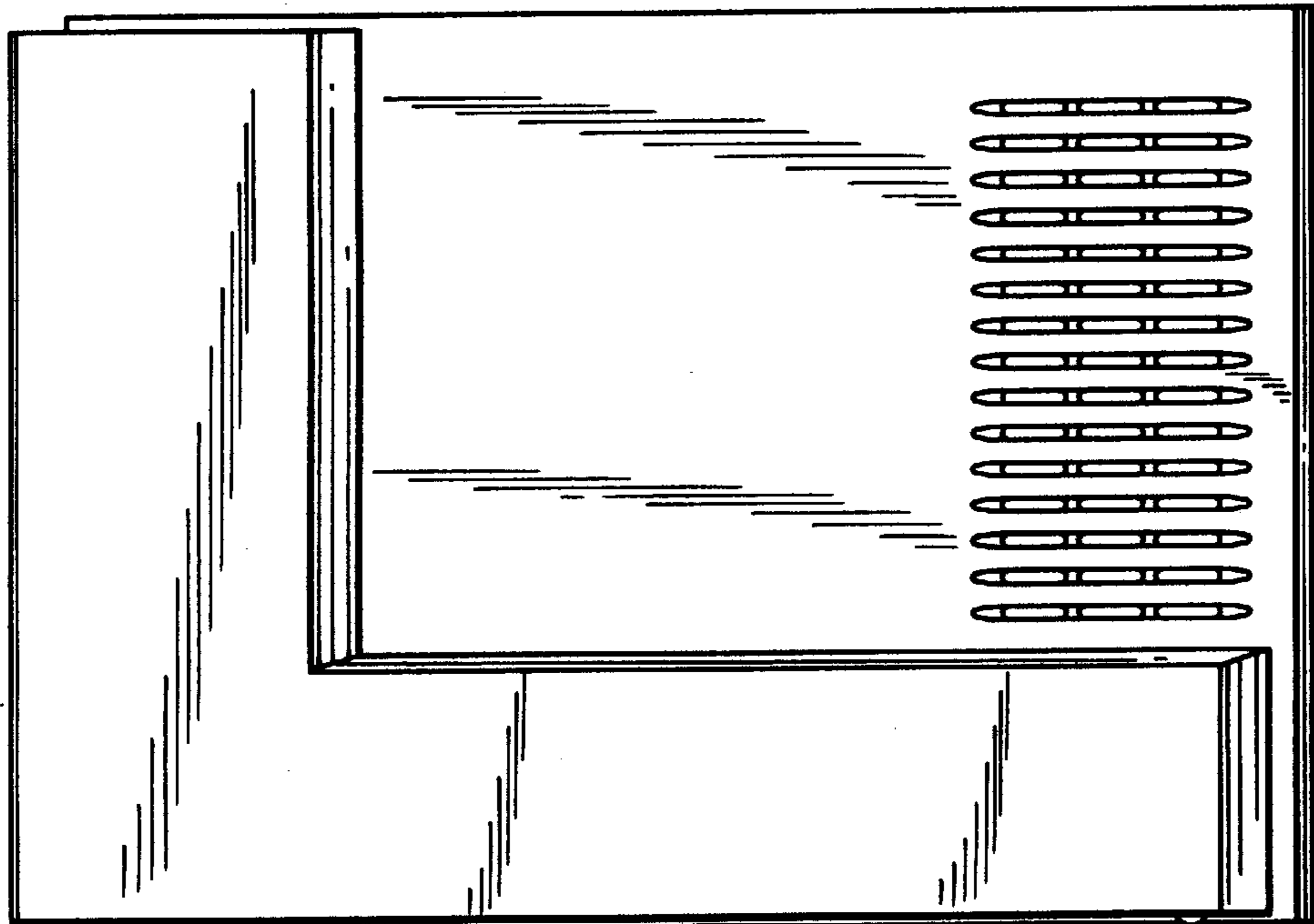


FIG. 5

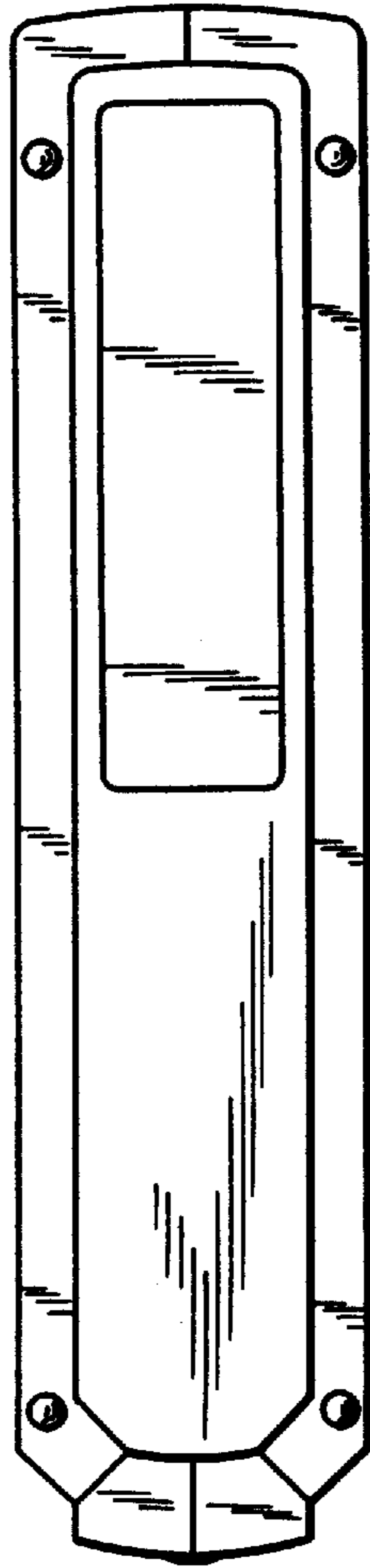


FIG. 6

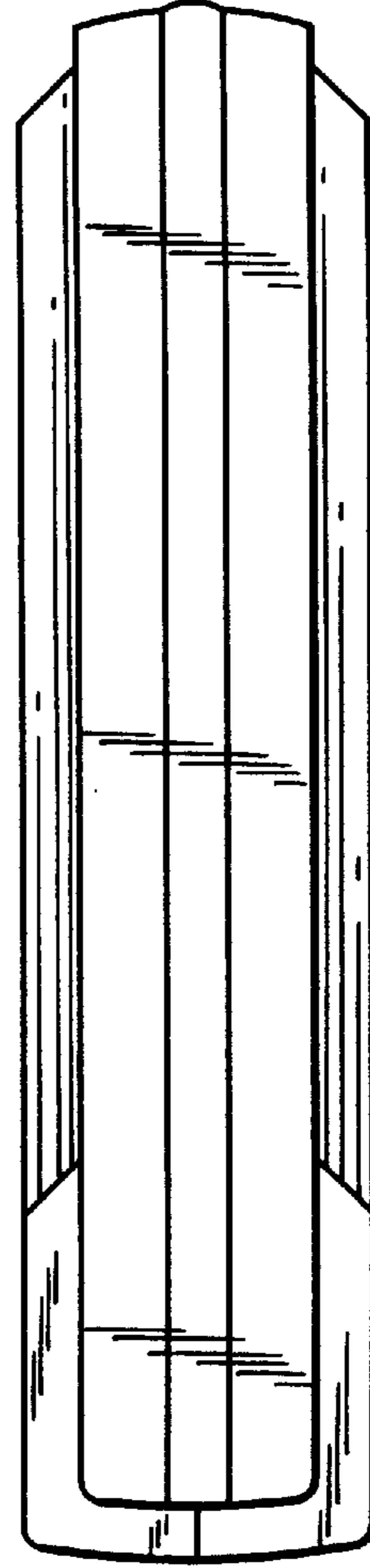


FIG. 7