



US00D399496S

United States Patent [19] Fellmann

[11] **Patent Number: Des. 399,496**

[45] **Date of Patent: **Oct. 13, 1998**

[54] **POWER MODULE**

[75] Inventor: **Daniel Fellmann**, Millery, France

[73] Assignee: **GEC Alsthom Transport SA**, Paris, France

[**] Term: **14 Years**

[21] Appl. No.: **77,694**

[22] Filed: **Oct. 9, 1997**

[30] **Foreign Application Priority Data**

Apr. 16, 1997 [XH] Hague Agreement DM/039 895

[51] **LOC (6) Cl.** **13-03**

[52] **U.S. Cl.** **D13/182**

[58] **Field of Search** D13/182; 174/52.4, 174/52.5; 361/752, 798, 820; 257/690

[56] **References Cited**

U.S. PATENT DOCUMENTS

D. 288,557 3/1987 Du Bois D13/182

D. 354,275 1/1995 Siegel et al. D13/182
D. 364,383 11/1995 Yamada et al. D13/182
5,347,160 9/1994 Sutrina 257/690

Primary Examiner—Brian N. Vinson
Attorney, Agent, or Firm—Roland Plottel

[57] **CLAIM**

I claim an ornamental design for a power module, as shown and described.

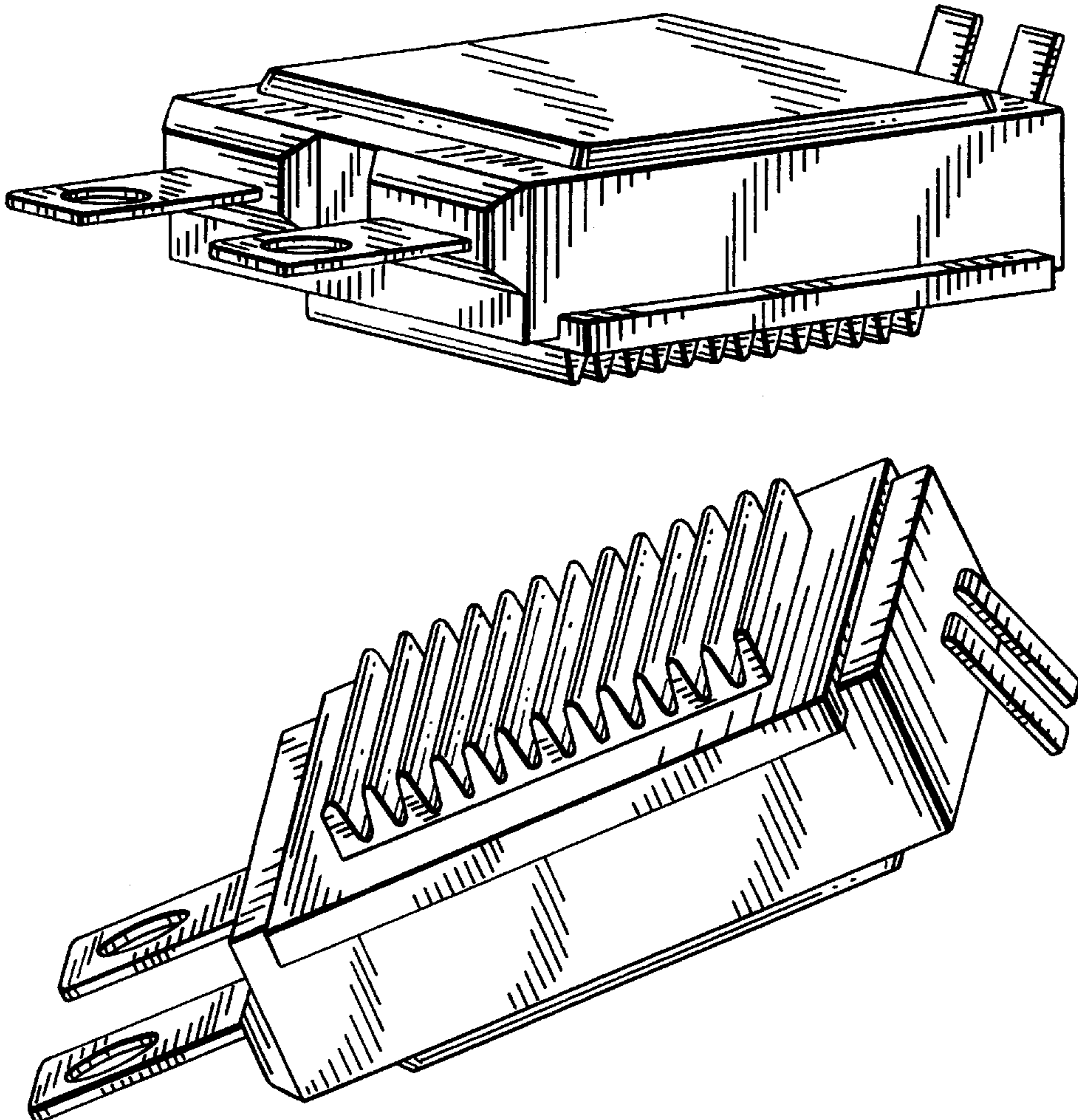
DESCRIPTION

FIG. 1 is a top, right side, and front perspective view of a power module, showing my new design;

FIG. 2 is a bottom, left side, and rear perspective view thereof, shown in an inverted position; and,

FIG. 3 is a top, front, and left side perspective view thereof.

1 Claim, 3 Drawing Sheets



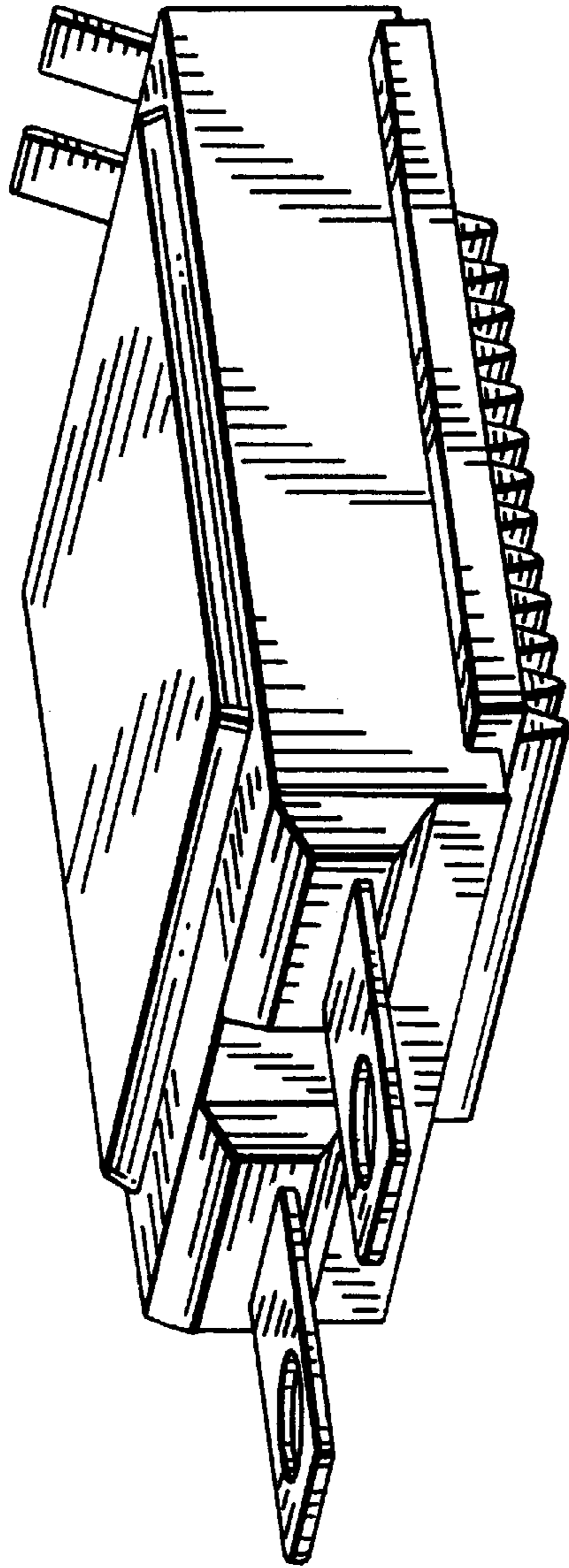


FIG. 1

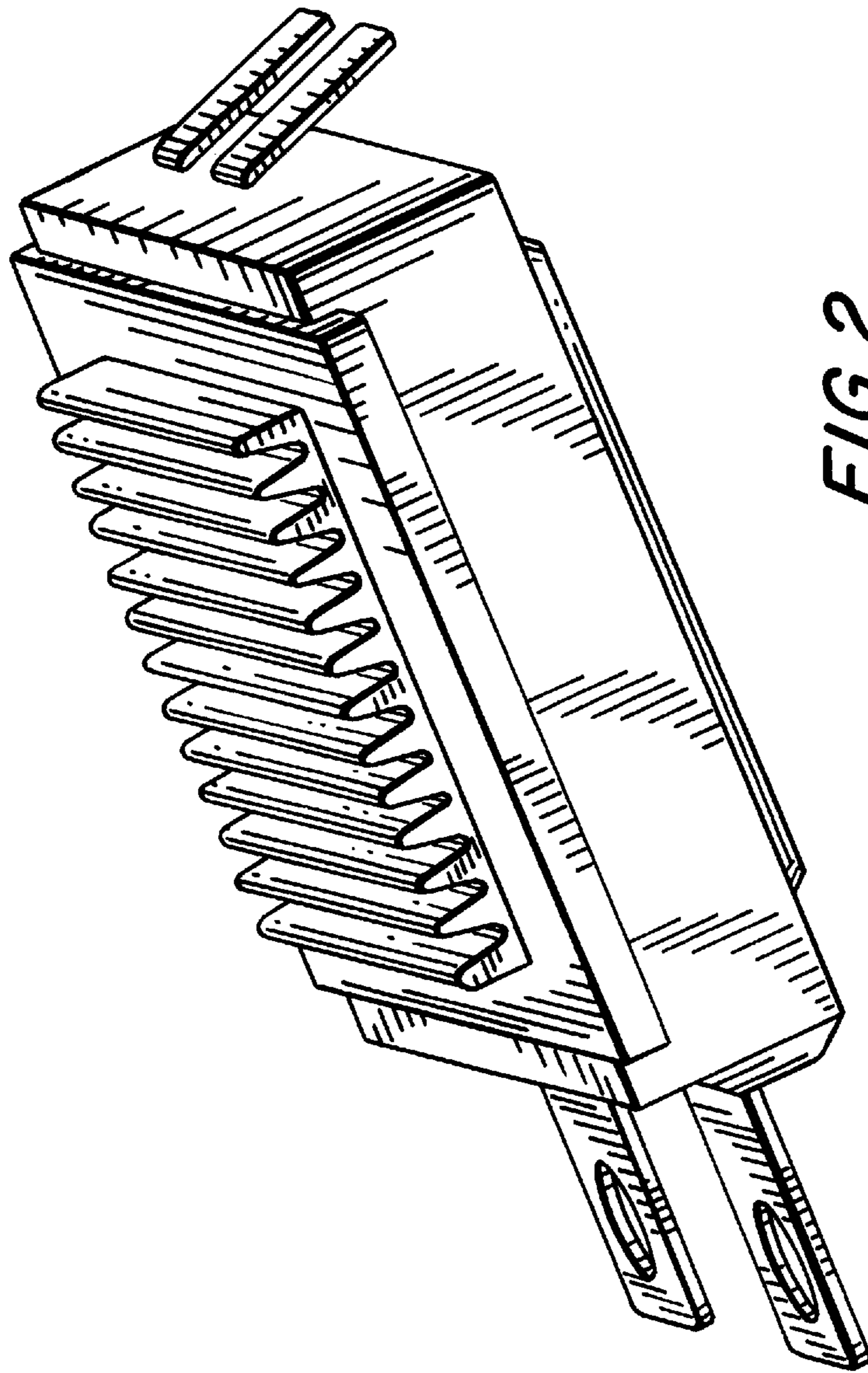


FIG. 2

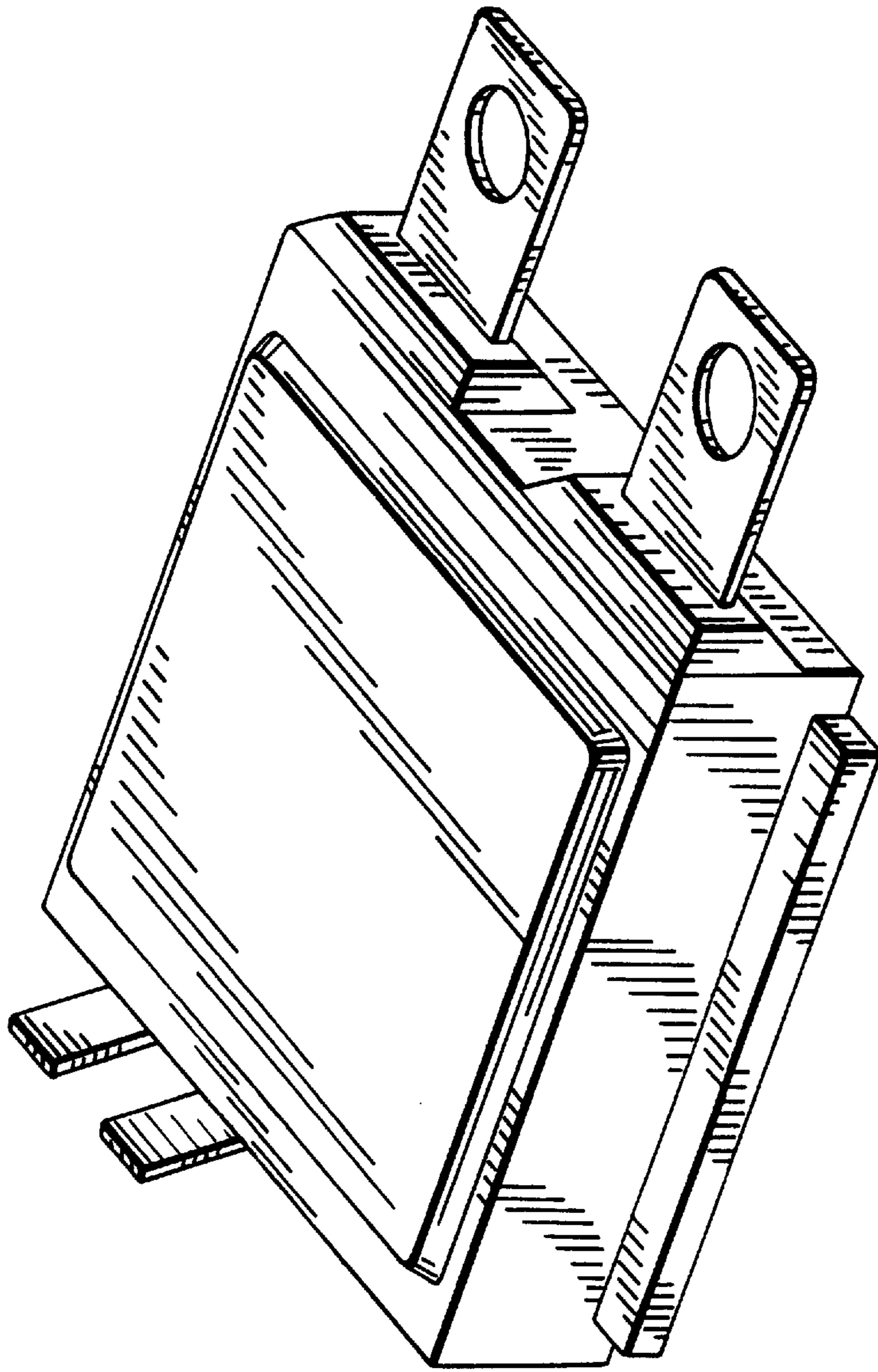


FIG. 3