



US00D399494S

United States Patent [19] Wong

[11] Patent Number: **Des. 399,494**

[45] Date of Patent: ****Oct. 13, 1998**

[54] **ELECTRICAL SWITCH**

[76] Inventor: **Bun Wong**, 19th Floor, A-8 Wah Kai Industrial Centre, 221 Texaco Road, Tsuen Wan, New Territories, Hong Kong

[**] Term: **14 Years**

[21] Appl. No.: **62,933**

[22] Filed: **Dec. 4, 1996**

[30] **Foreign Application Priority Data**

Sep. 16, 1996 [GB] United Kingdom 2059378

[51] **LOC (6) Cl.** **13-03**

[52] **U.S. Cl.** **D13/170**

[58] **Field of Search** D13/158, 170, D13/169; 200/502, 537, 547, 550

[56] **References Cited**

U.S. PATENT DOCUMENTS

D. 237,890 12/1975 Godfrey D13/170

D. 383,441 9/1997 Wong D13/170
D. 383,442 9/1997 Wong D13/170
3,485,966 12/1969 Bailey et al. 200/550 X

Primary Examiner—Brian N. Vinson
Attorney, Agent, or Firm—Leydig, Voit & Mayer, Ltd.

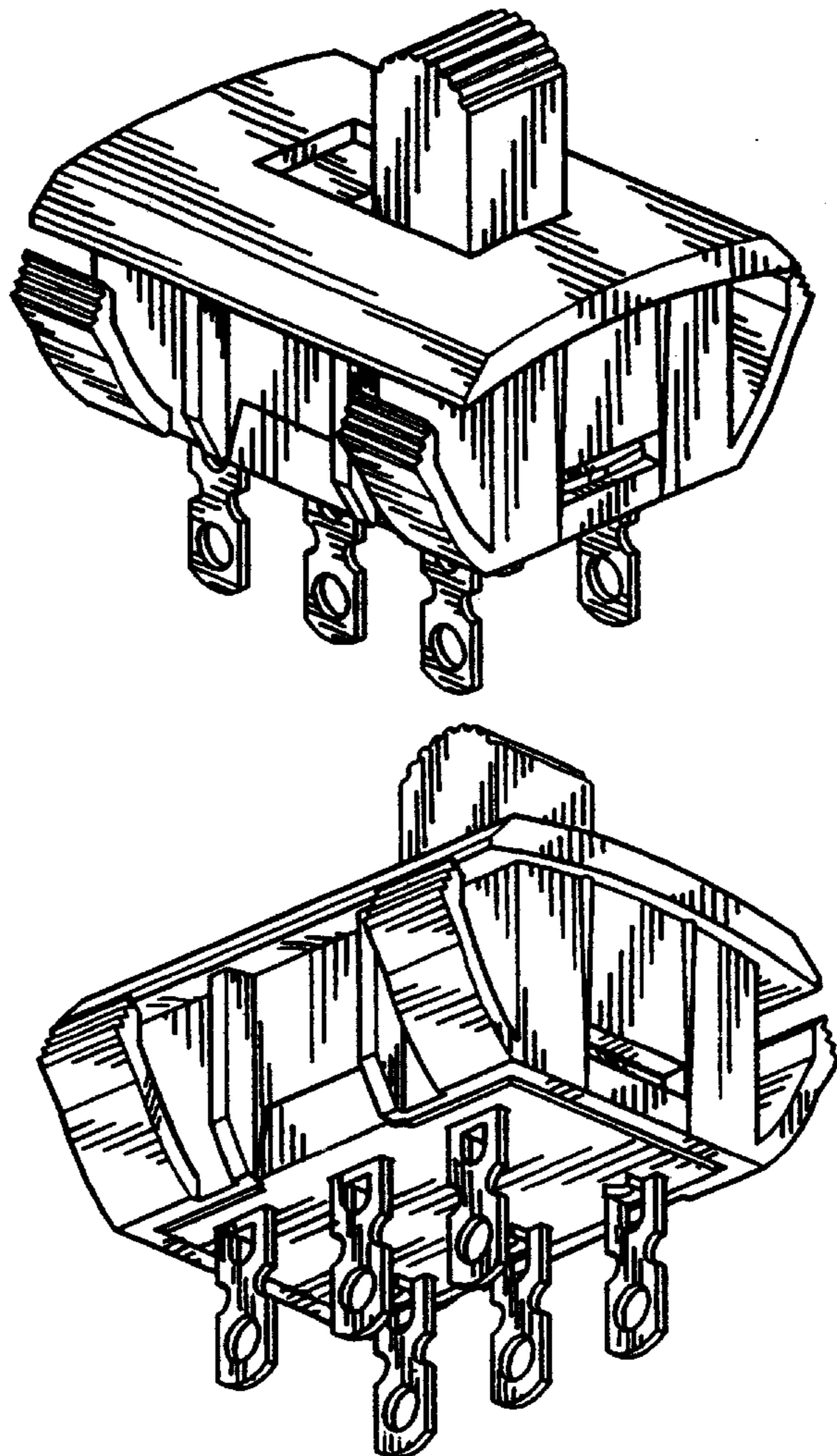
[57] **CLAIM**

The ornamental design for an electrical switch, as shown and described.

DESCRIPTION

FIG. 1 is a front, right end and top perspective view of an electrical switch showing my new design; FIG. 2 is a front, right end and bottom perspective view thereof; FIG. 3 is a front elevational view thereof; FIG. 4 is a rear elevational view thereof; FIG. 5 is a top plan view thereof; FIG. 6 is a bottom plan view thereof; FIG. 7 is a right end elevational view thereof; and, FIG. 8 is a left end elevational view thereof.

1 Claim, 3 Drawing Sheets



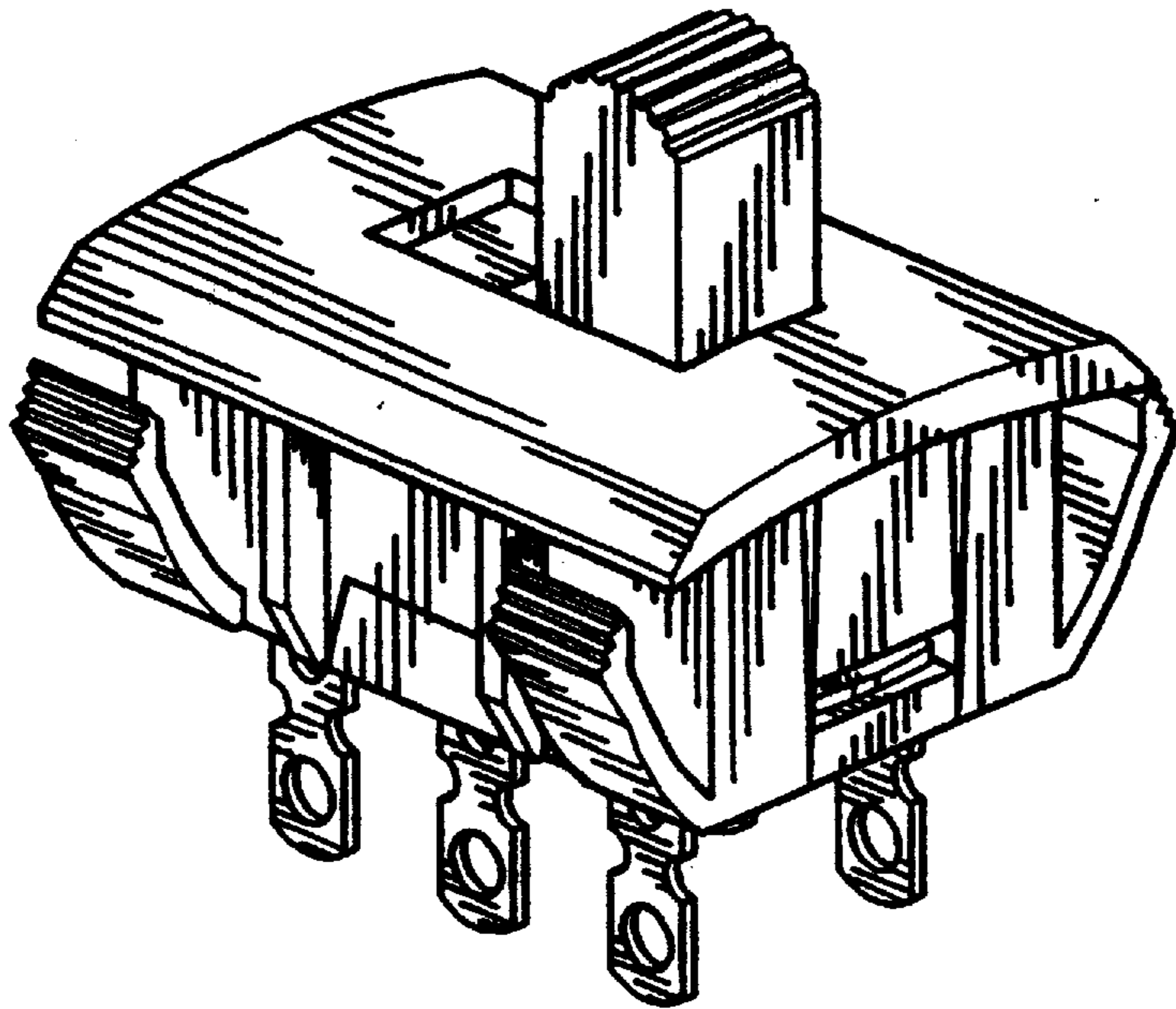


FIG. 1

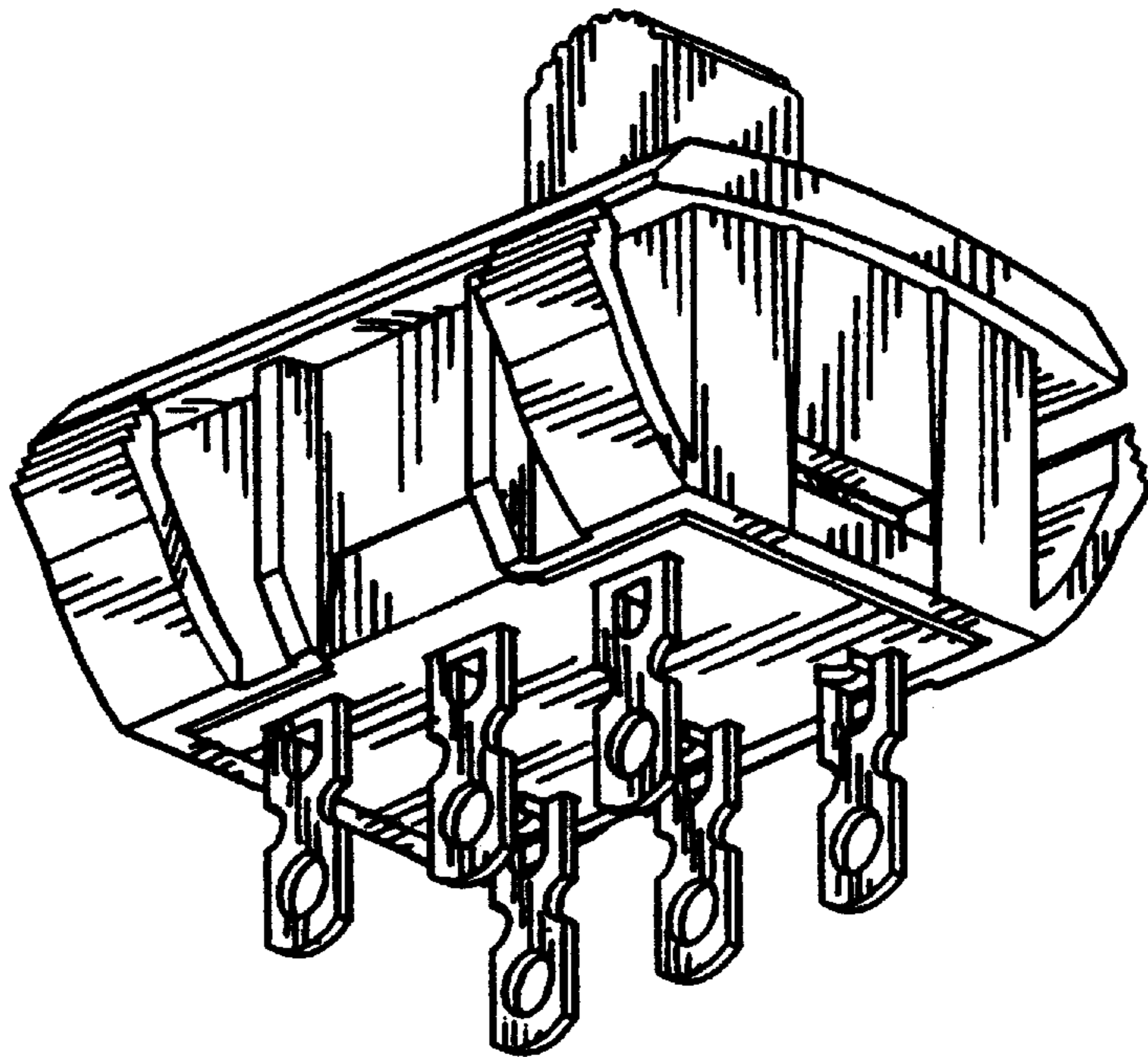


FIG. 2

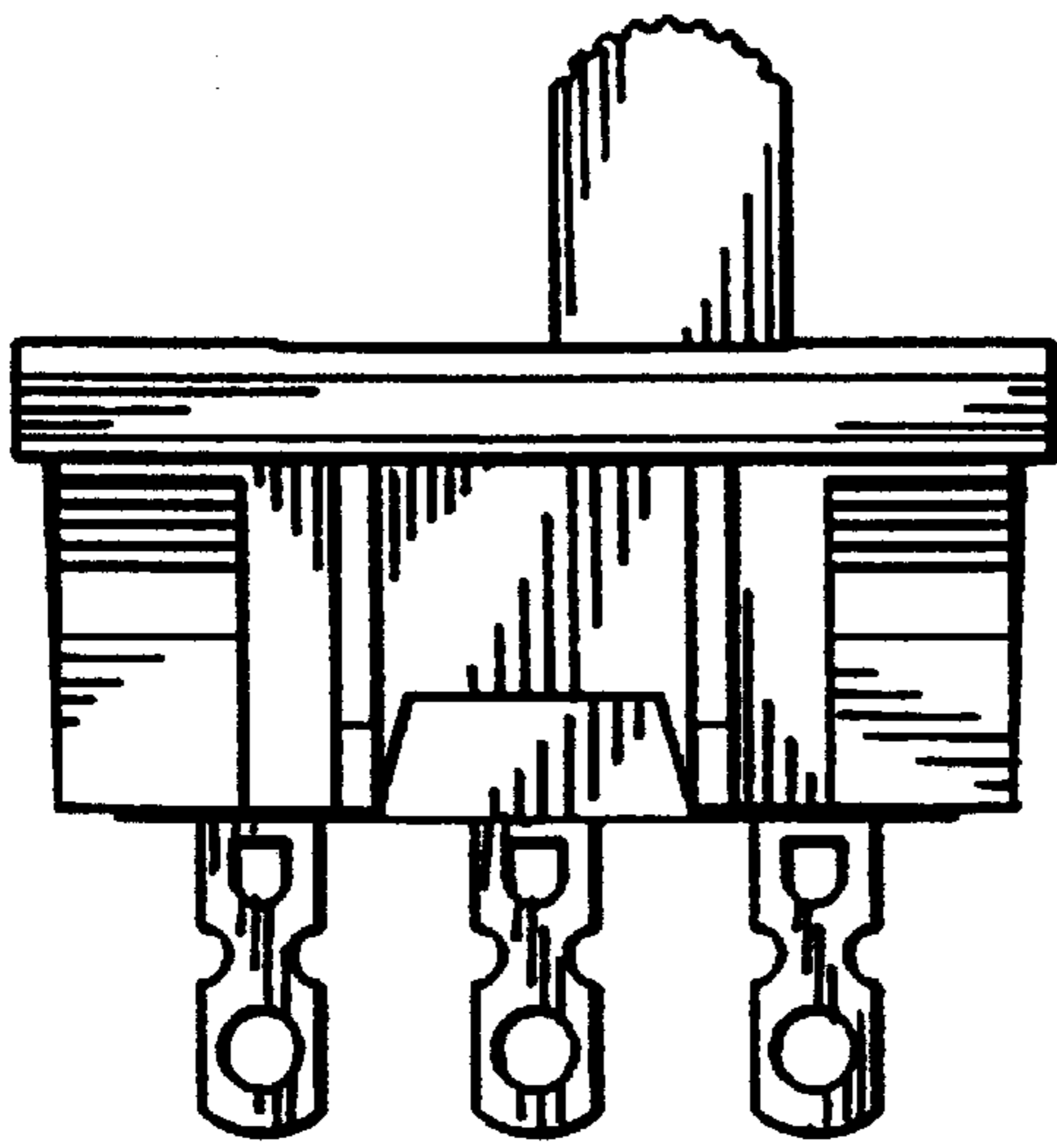


FIG. 3

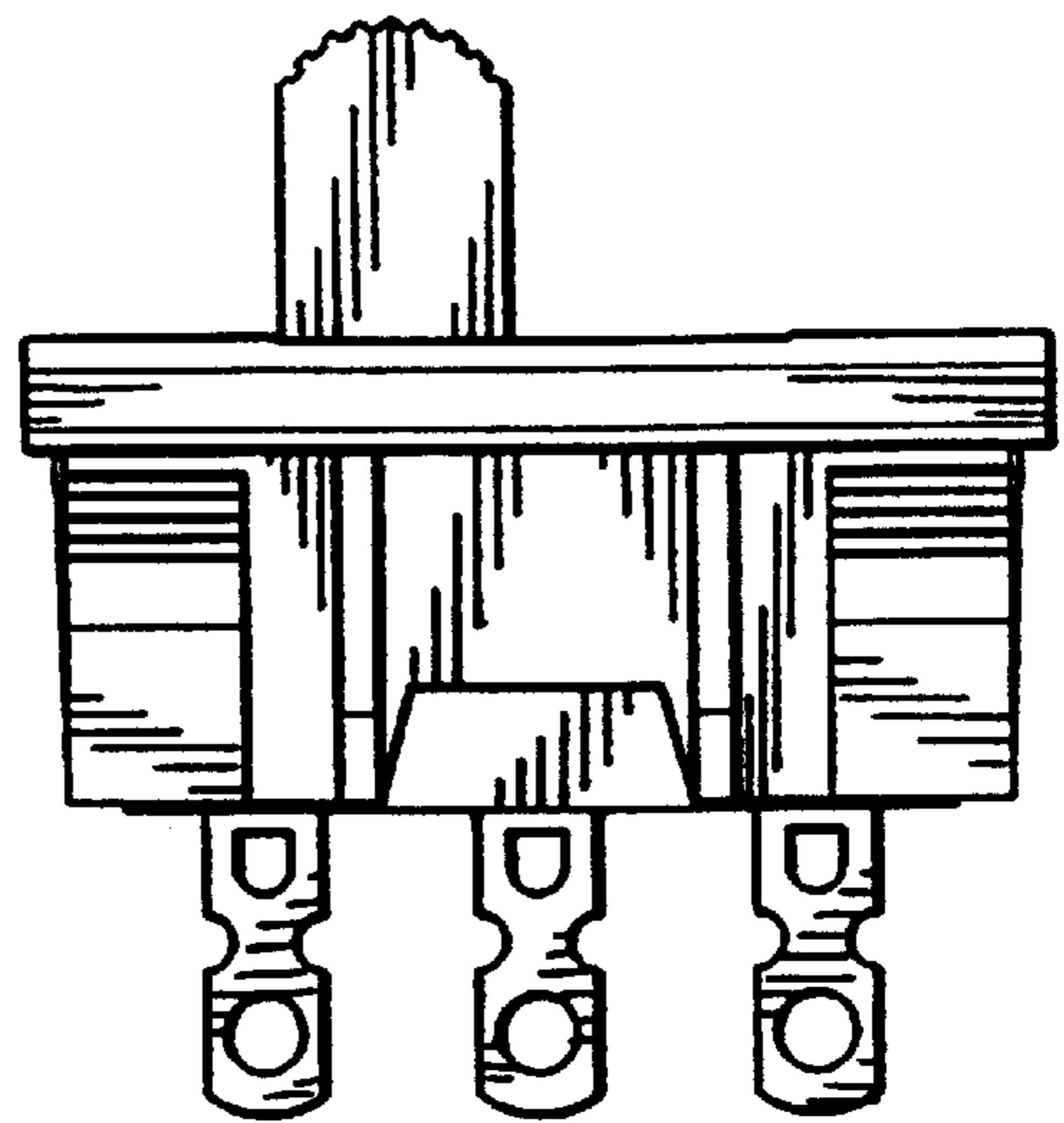


FIG. 4

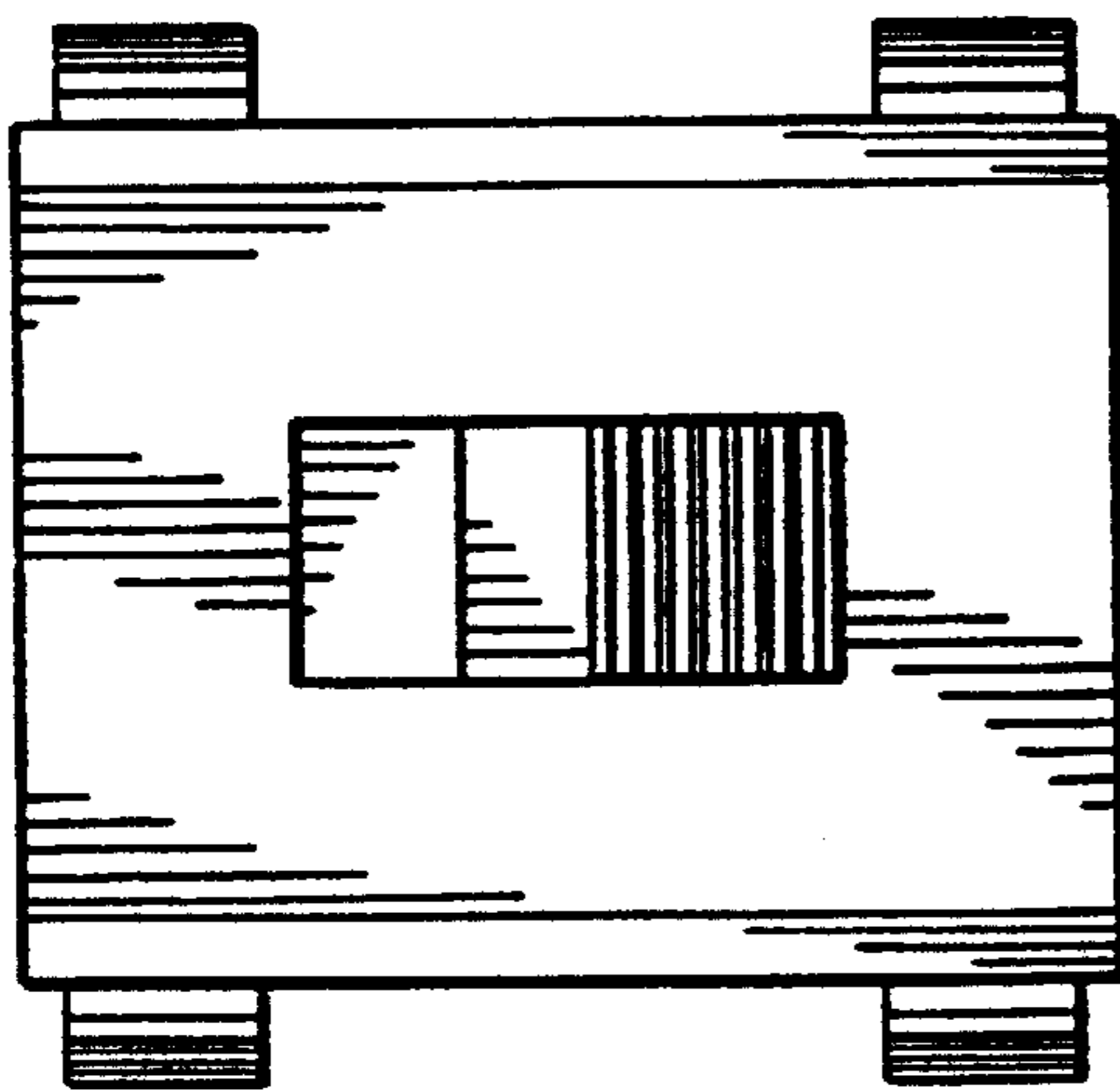


FIG. 5

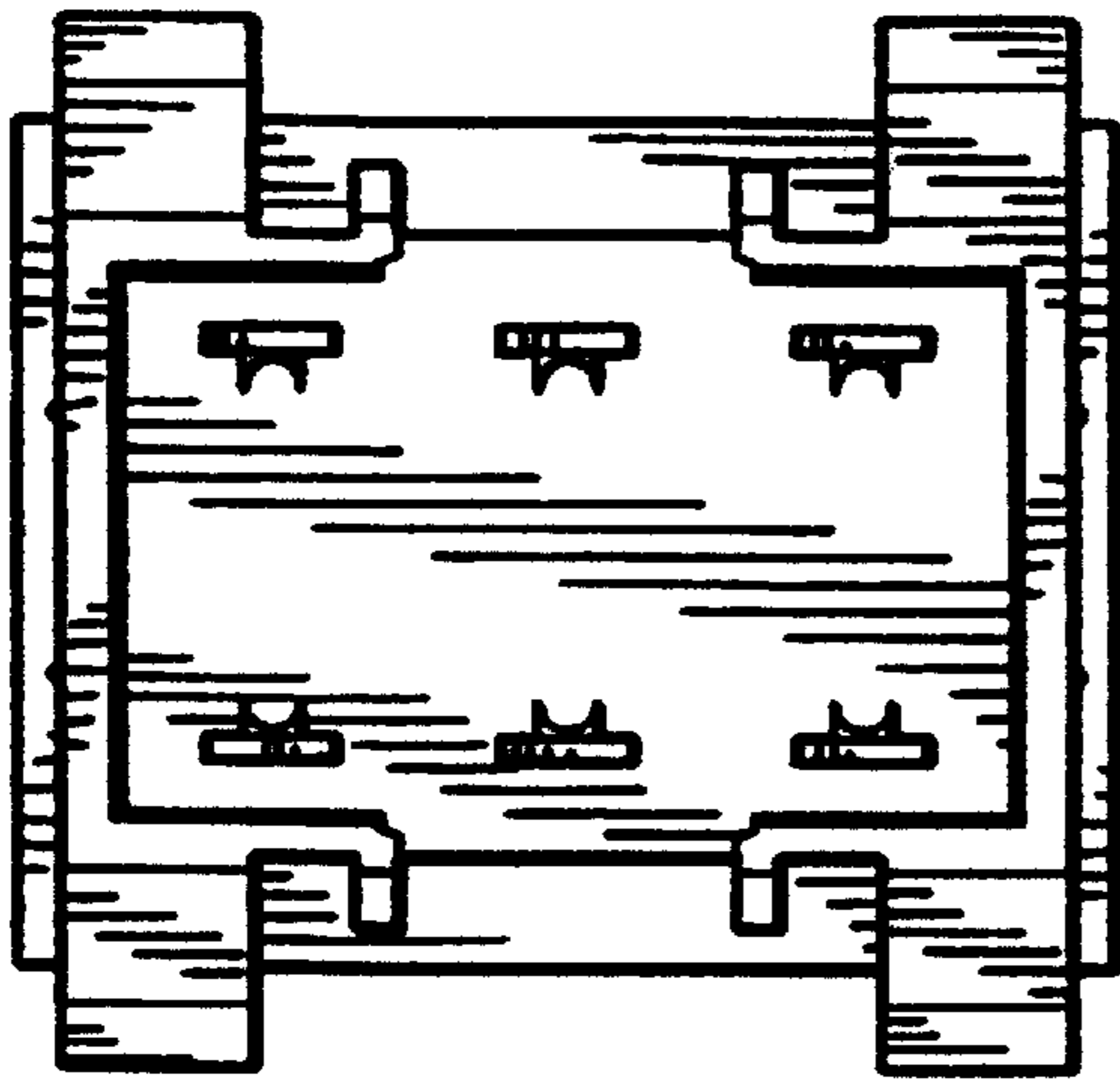


FIG. 6

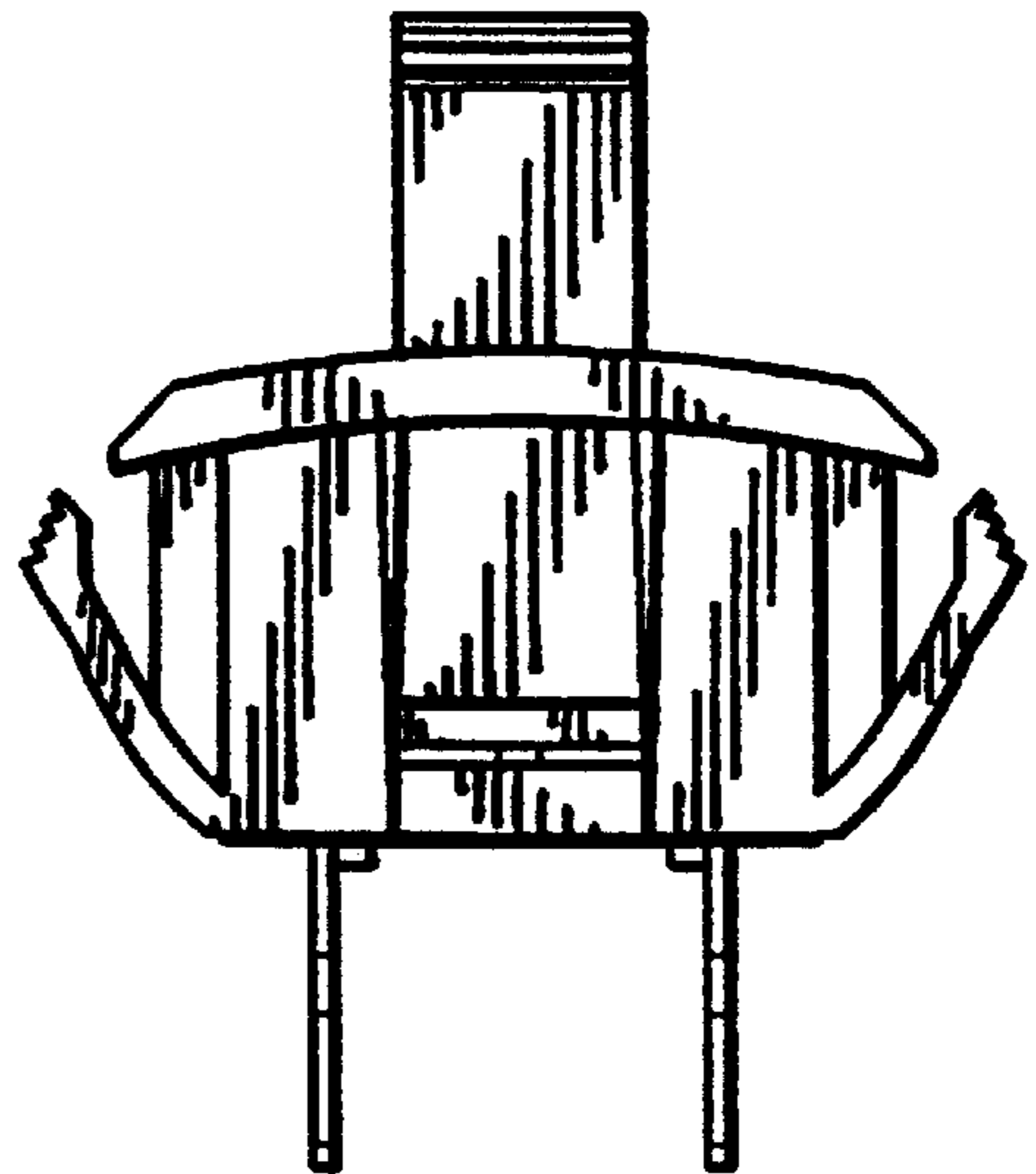


FIG. 7

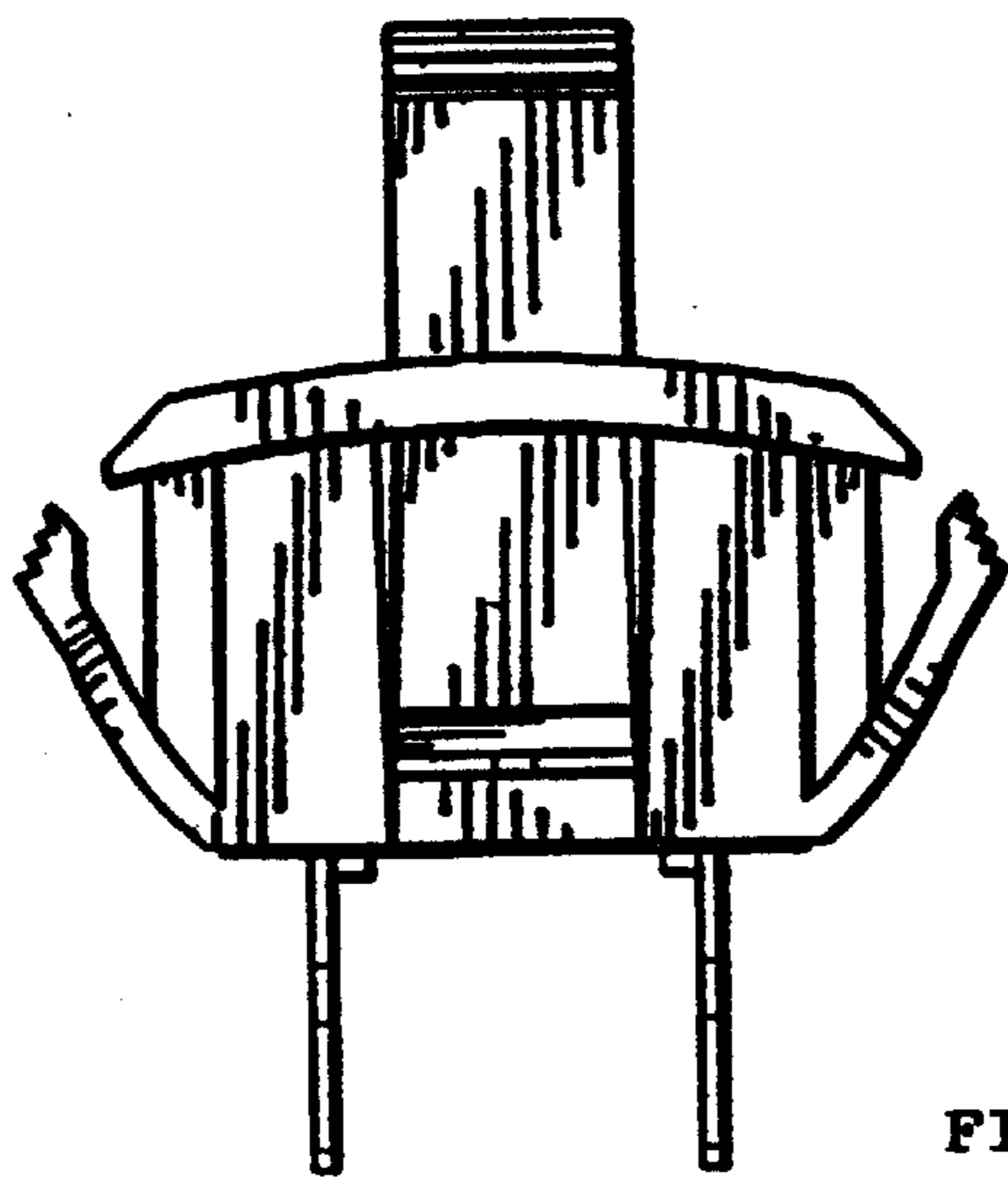


FIG. 8