



US00D399487S

# United States Patent [19]

**Awbrey et al.**

[11] **Patent Number: Des. 399,487**

[45] **Date of Patent: \*\*Oct. 13, 1998**

[54] **BATTERY TERMINAL MOUNT**

[75] Inventors: **Jerry Awbrey**, Winder; **Albert Dean Ellis**, Clarkston, both of Ga.

[73] Assignee: **Esoteric Audio U.S.A., Inc.**, Winder, Ga.

[\*\*] Term: **14 Years**

[21] Appl. No.: **81,866**

[22] Filed: **Jan. 9, 1998**

[51] **LOC (6) Cl.** ..... **13-02**

[52] **U.S. Cl.** ..... **D13/120; D13/151**

[58] **Field of Search** ..... **D13/120, 151; 439/756, 765, 771**

[56] **References Cited**

**U.S. PATENT DOCUMENTS**

D. 361,750	8/1995	Ansley	.....	D13/151
5,024,621	6/1991	Mata	.....	439/771
5,030,106	7/1991	Cameron et al.	.....	439/765 X
5,190,484	3/1993	Kennedy	.....	439/765 X
5,429,531	7/1995	Oster	.....	439/765 X

*Primary Examiner*—Joel Sincavage  
*Attorney, Agent, or Firm*—Thomas, Kayden, Horstemeyer & Risley

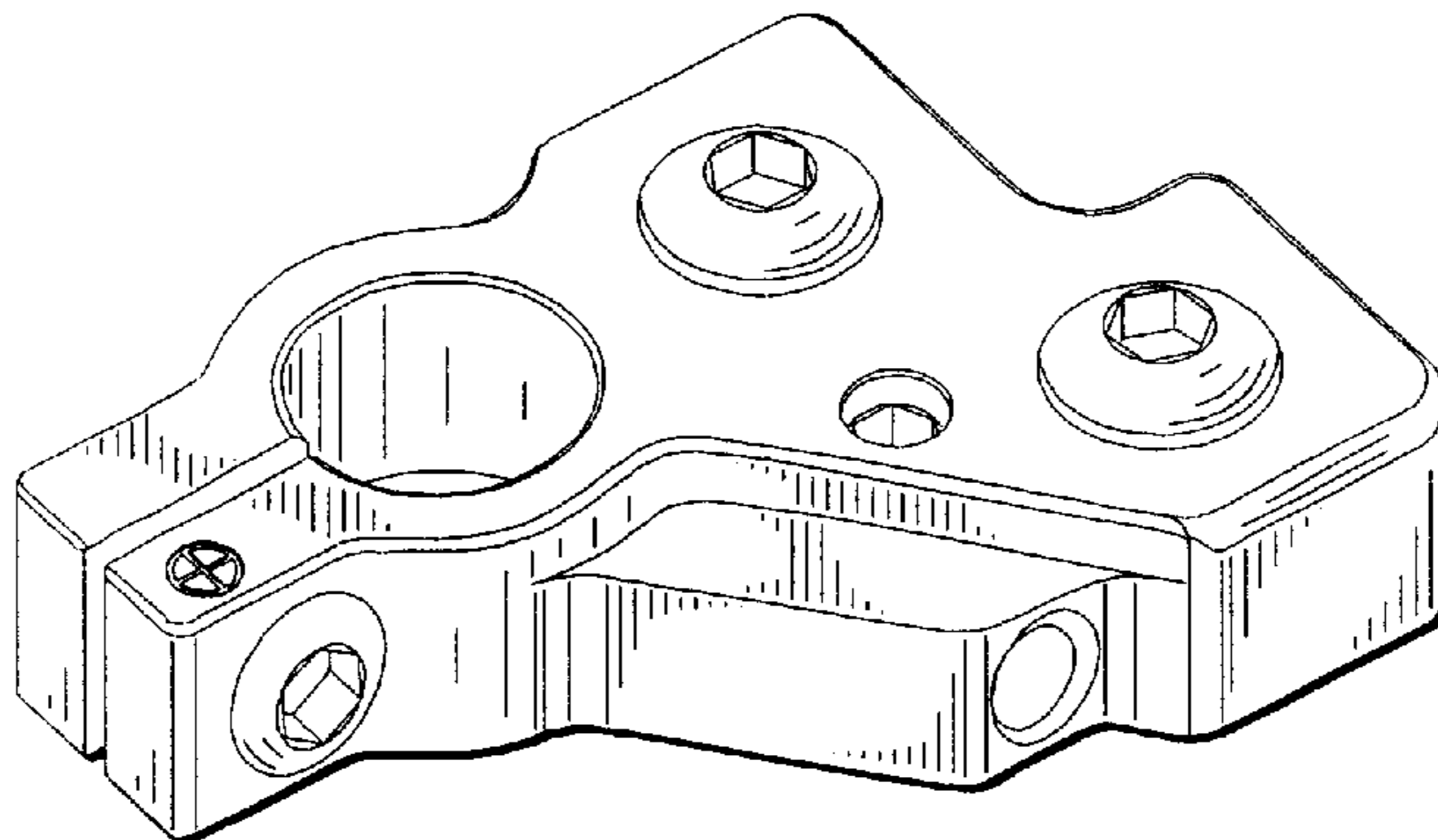
[57] **CLAIM**

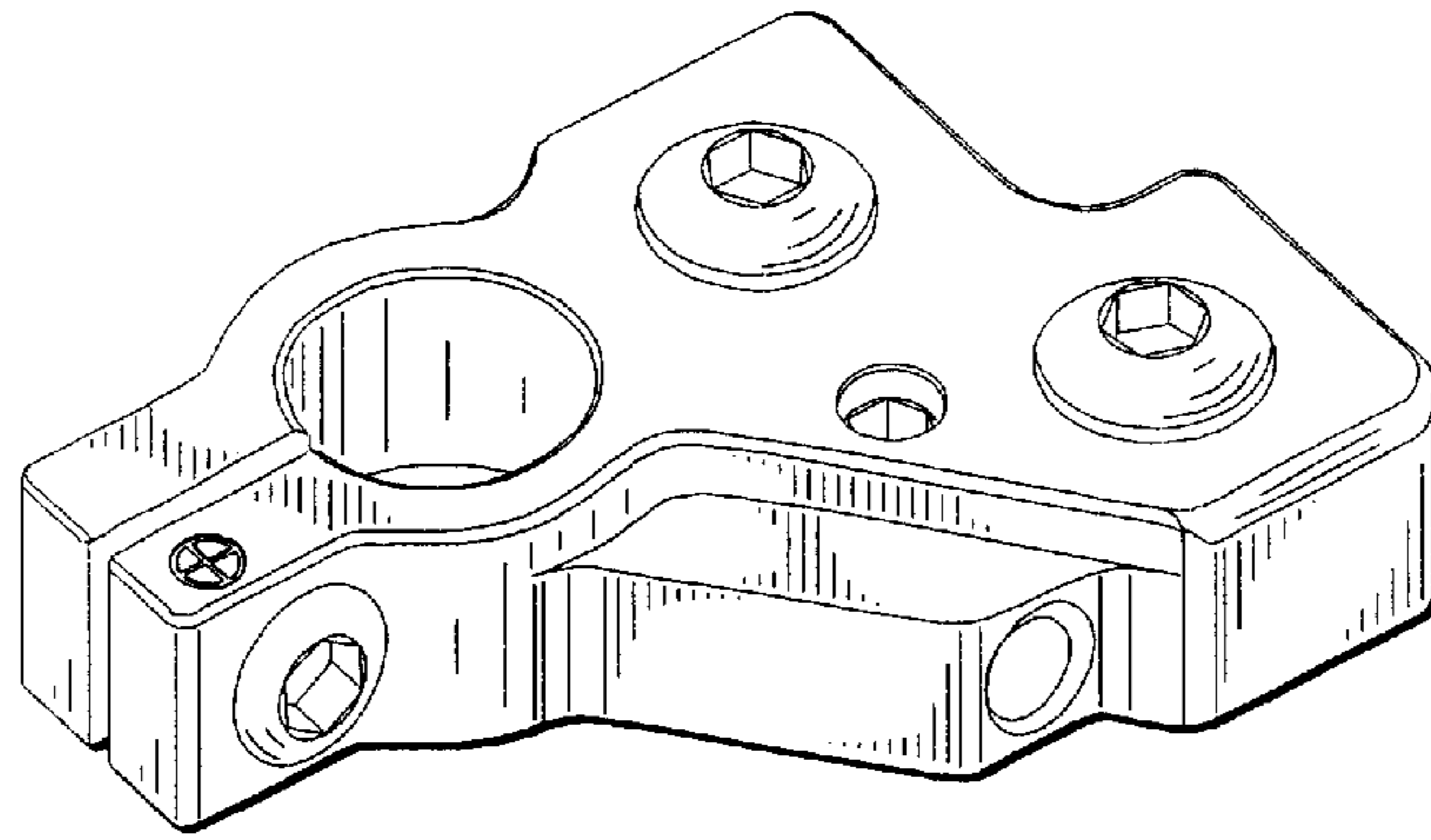
The ornamental design for a battery terminal mount, as shown and described.

**DESCRIPTION**

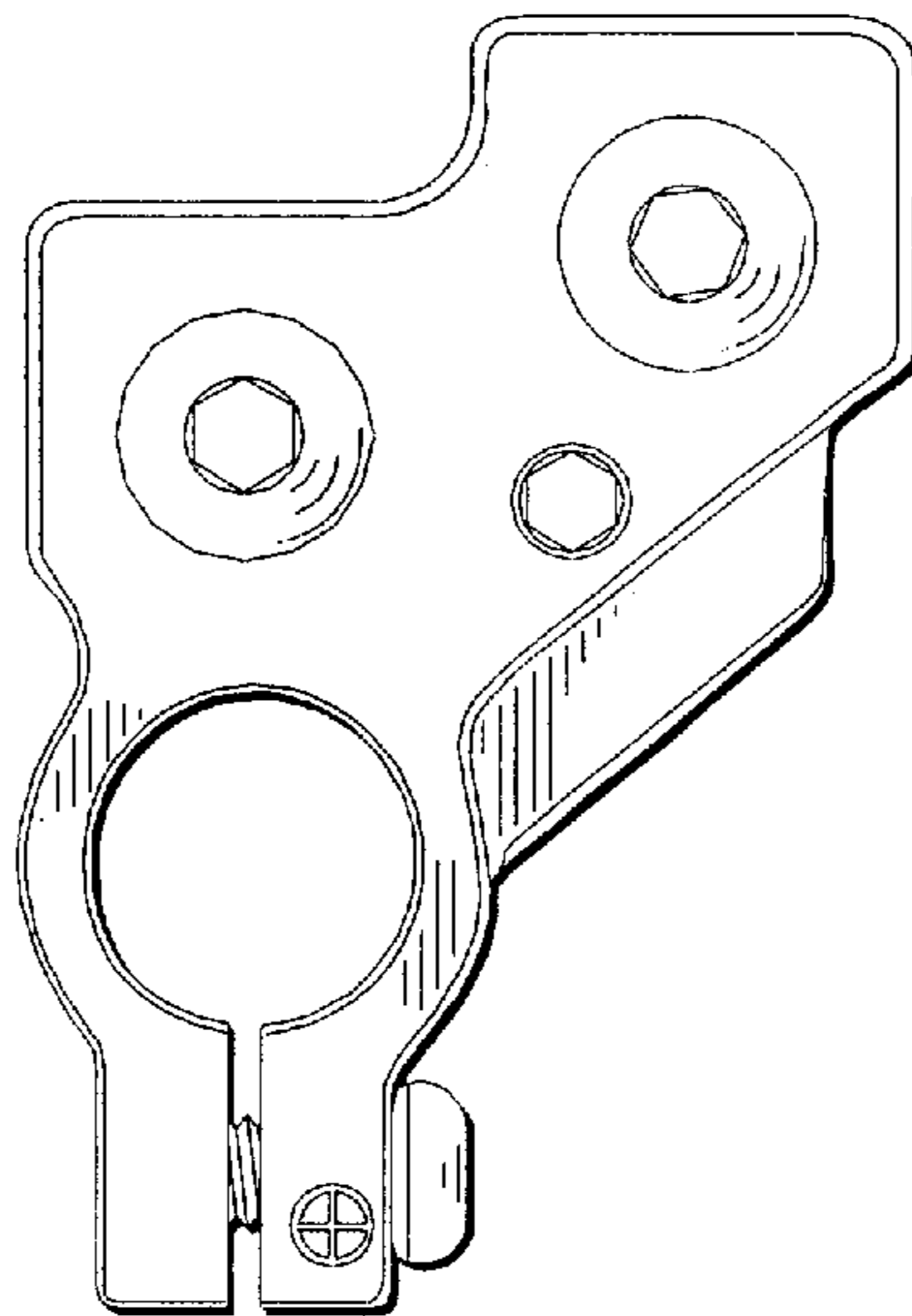
FIG. 1 is a perspective view of a battery terminal mount in accordance with a preferred embodiment of the present invention;  
FIG. 2 is a top view of the battery terminal mount shown in FIG. 1;  
FIG. 3 is a left side end view of the battery terminal mount shown in FIG. 1;  
FIG. 4 is a right side view of the battery terminal mount shown in FIG. 1;  
FIG. 5 is a bottom view of the battery terminal mount shown in FIG. 1;  
FIG. 6 is a rear view of the battery terminal mount shown in FIG. 1; and,  
FIG. 7 is a front view of the battery terminal mount shown in FIG. 1.

**1 Claim, 2 Drawing Sheets**

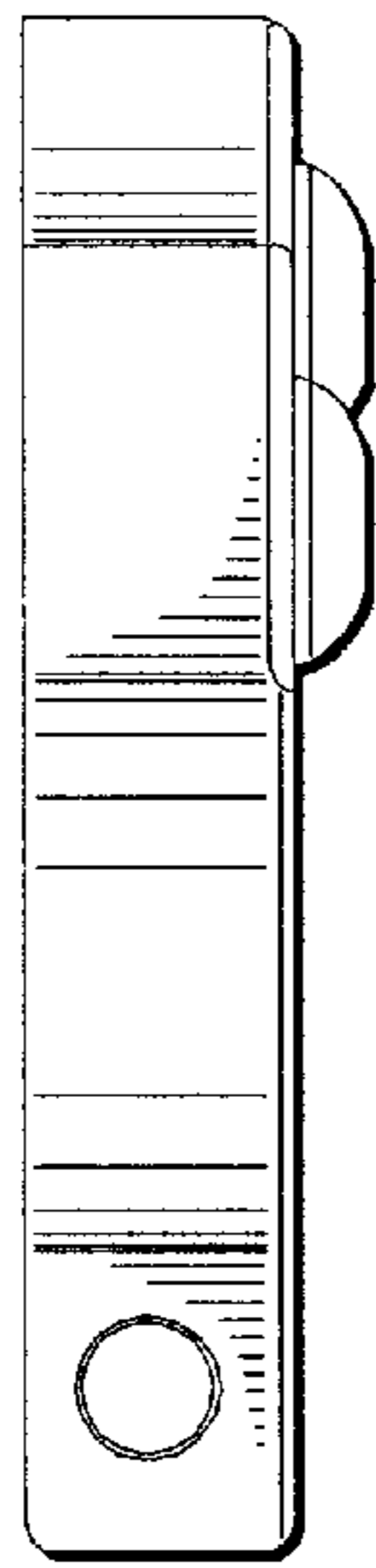




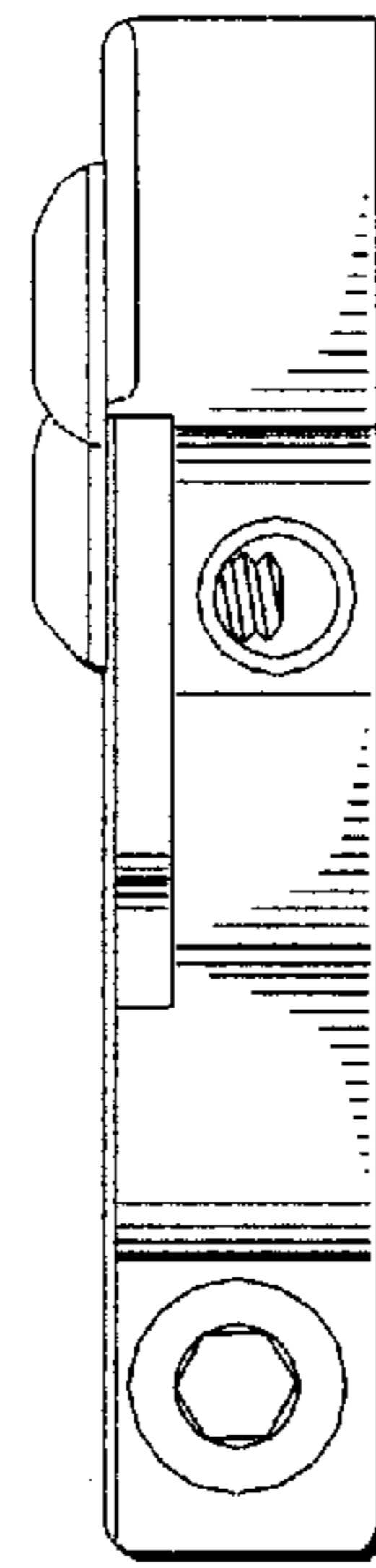
**FIG. 1**



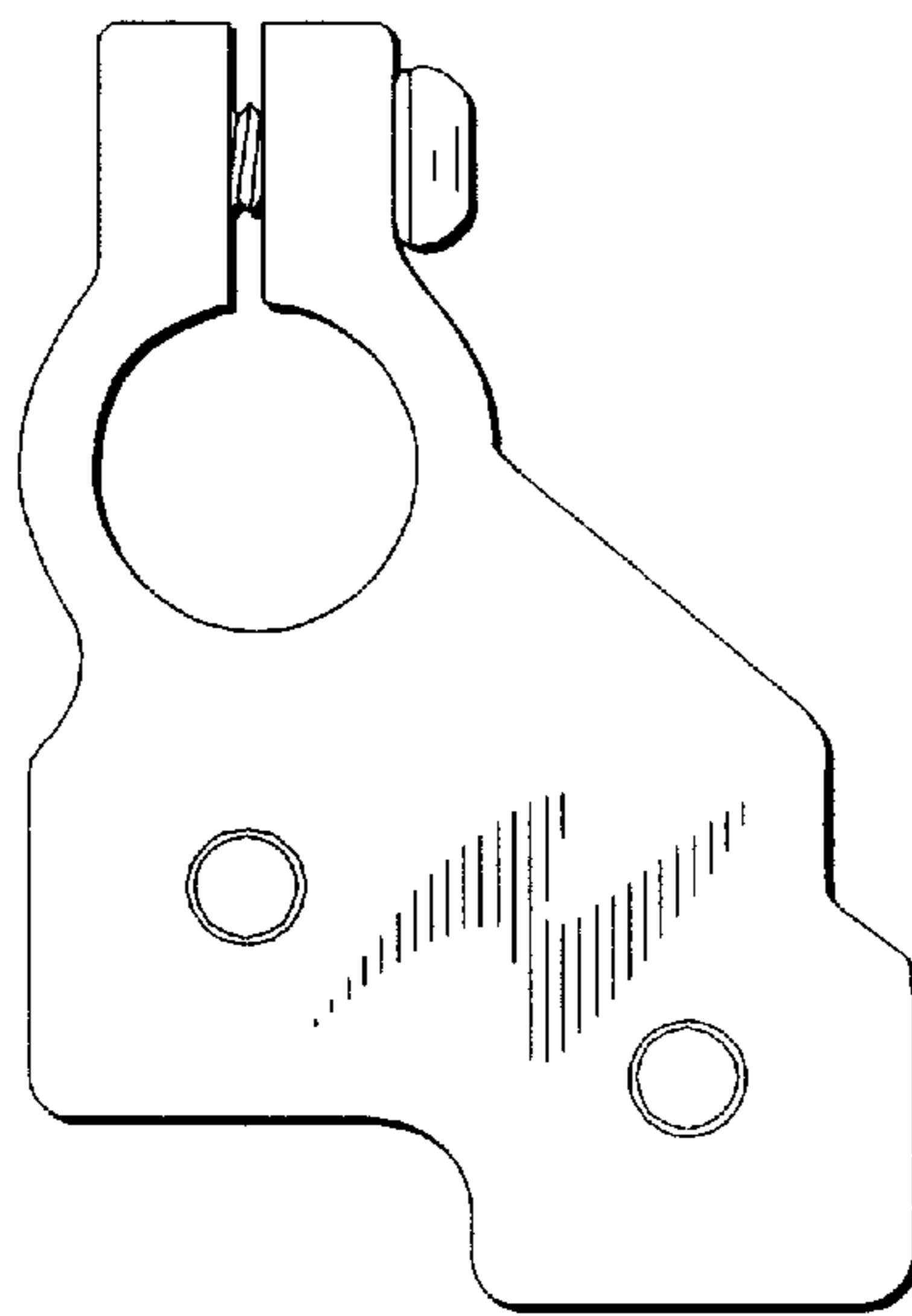
**FIG. 2**



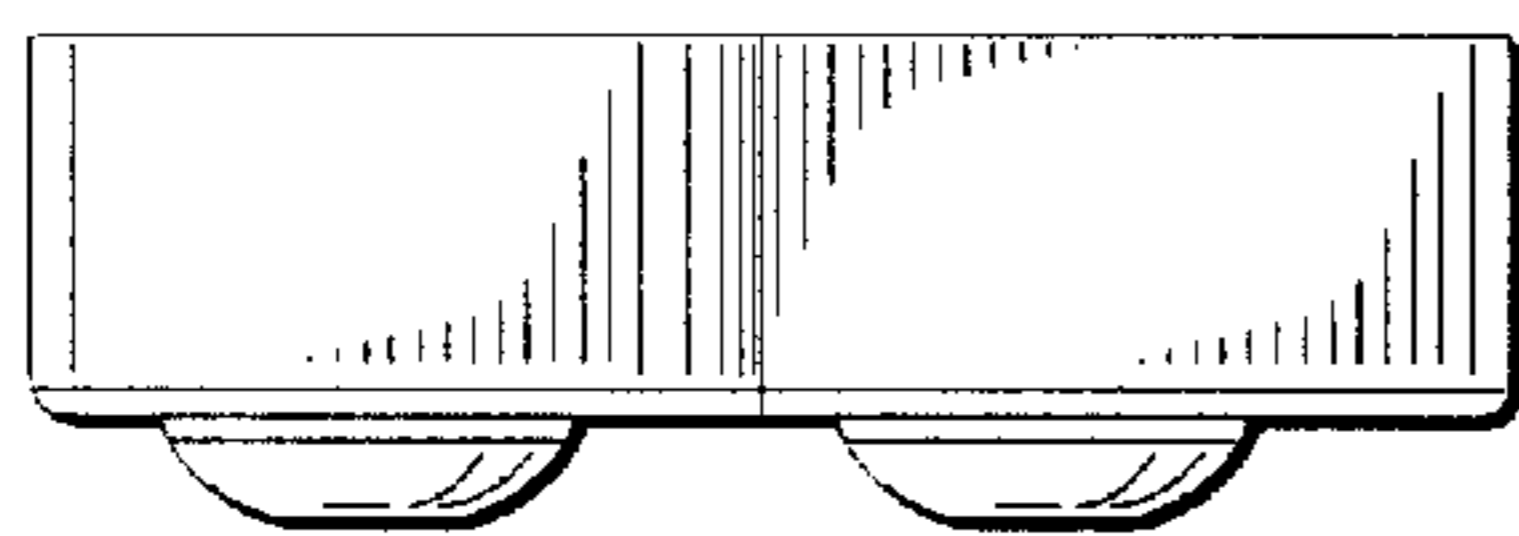
**FIG. 3**



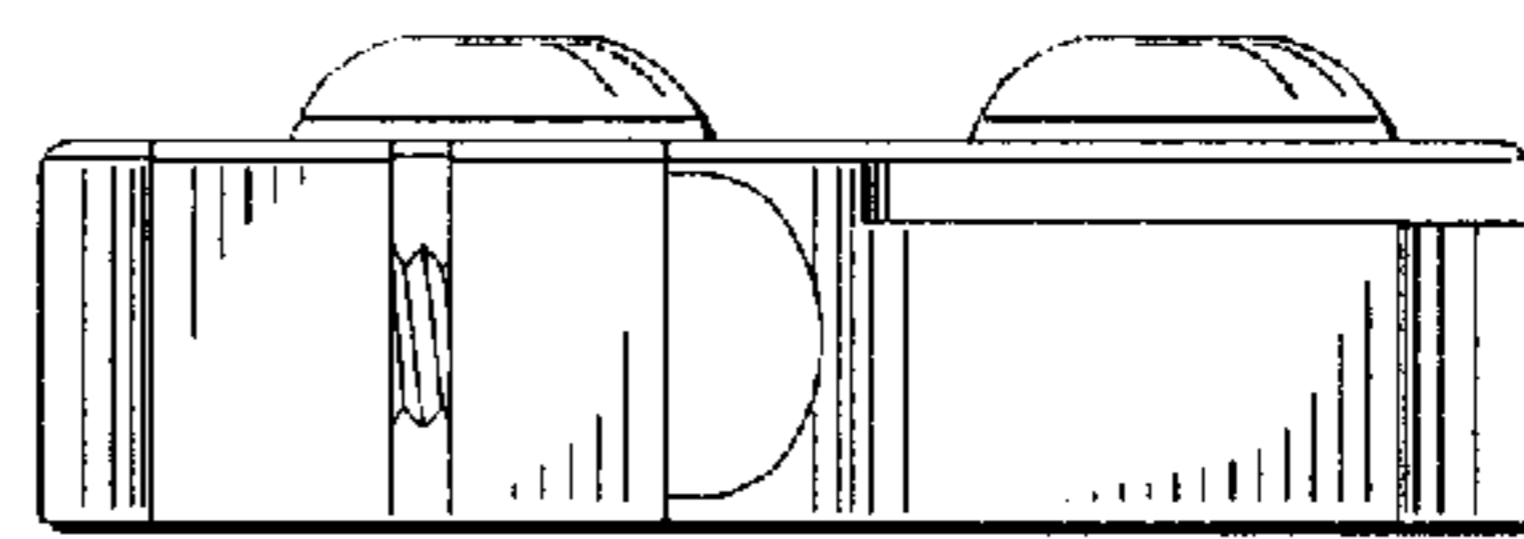
**FIG. 4**



**FIG. 5**



**FIG. 6**



**FIG. 7**