



US00D399486S

United States Patent [19]

Deans

[11] **Patent Number: Des. 399,486**

[45] **Date of Patent: **Oct. 13, 1998**

[54] **BATTERY BAR**

[76] Inventor: **Robin Deans**, 7628 Jackson St.,
Paramount, Calif. 90723

[**] Term: **14 Years**

[21] Appl. No.: **72,415**

[22] Filed: **Jun. 16, 1997**

[51] **LOC (6) Cl. 13-02**

[52] **U.S. Cl. D13/120**

[58] **Field of Search D13/120, 119;**
D8/349, 354; 439/507, 510, 883, 488, 765;
429/121

[56] **References Cited**

U.S. PATENT DOCUMENTS

D. 223,668	5/1972	Ulrich	D13/120
D. 285,647	9/1986	Sachs	D8/356
1,201,215	10/1916	Milliken	429/121
3,909,301	9/1975	Schenk, Jr.	429/208

4,291,106	9/1981	Hooke	429/121
4,448,863	5/1984	Terrell	429/121 X
4,913,981	4/1990	Hynes et al.	429/121 X
5,154,646	10/1992	Shoup	439/765 X
5,167,529	12/1992	Verge	439/504

Primary Examiner—Joel Sincavage
Attorney, Agent, or Firm—Edgar W. Averill, Jr.

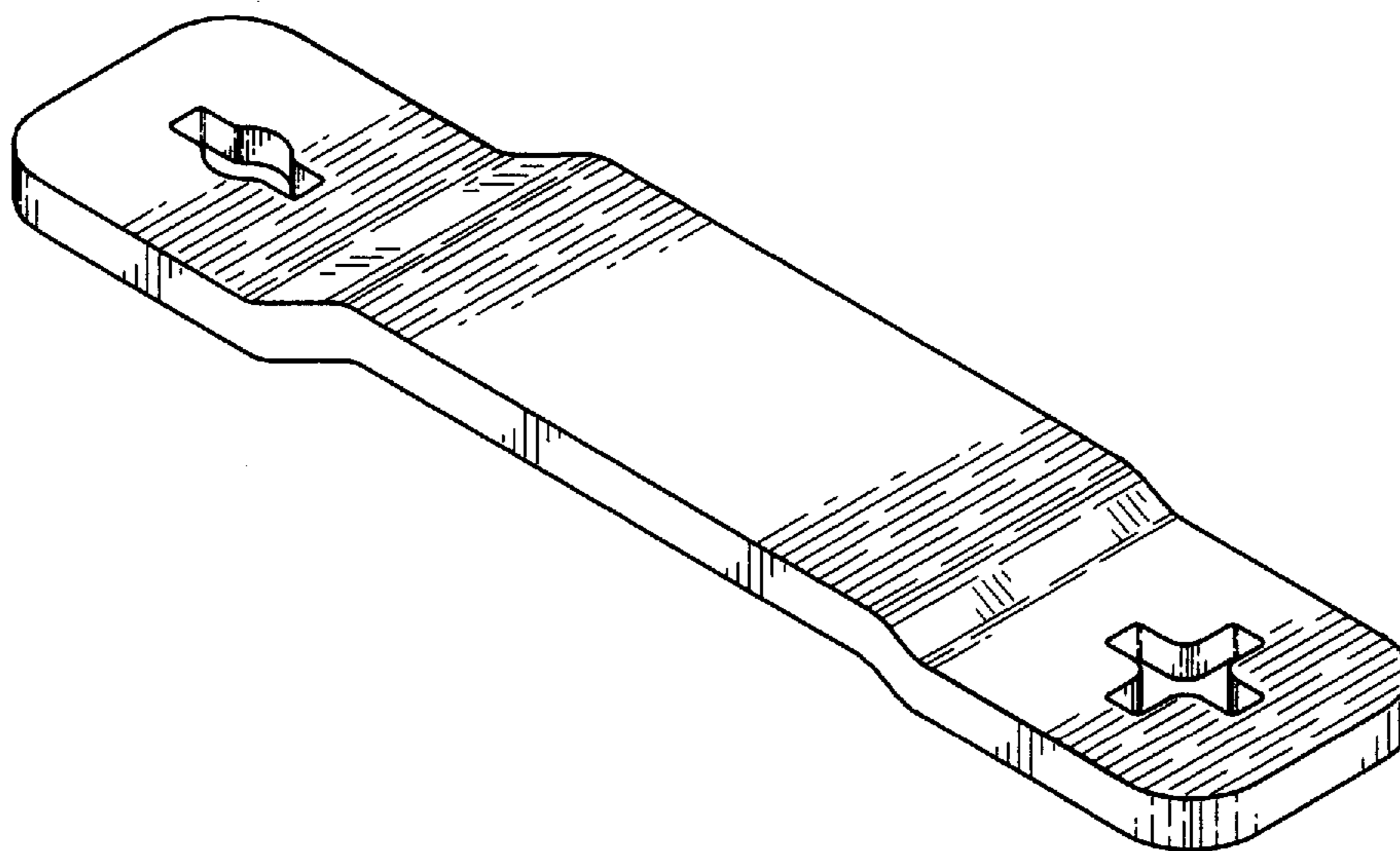
[57] **CLAIM**

The ornamental design for a battery bar, as shown.

DESCRIPTION

FIG. 1 is a perspective view showing the top, front and right side of the battery bar showing my new design;
FIG. 2 is a top view thereof;
FIG. 3 is a left end view thereof;
FIG. 4 is a front view thereof;
FIG. 5 is a right end view thereof; and,
FIG. 6 is a bottom view thereof.

1 Claim, 1 Drawing Sheet



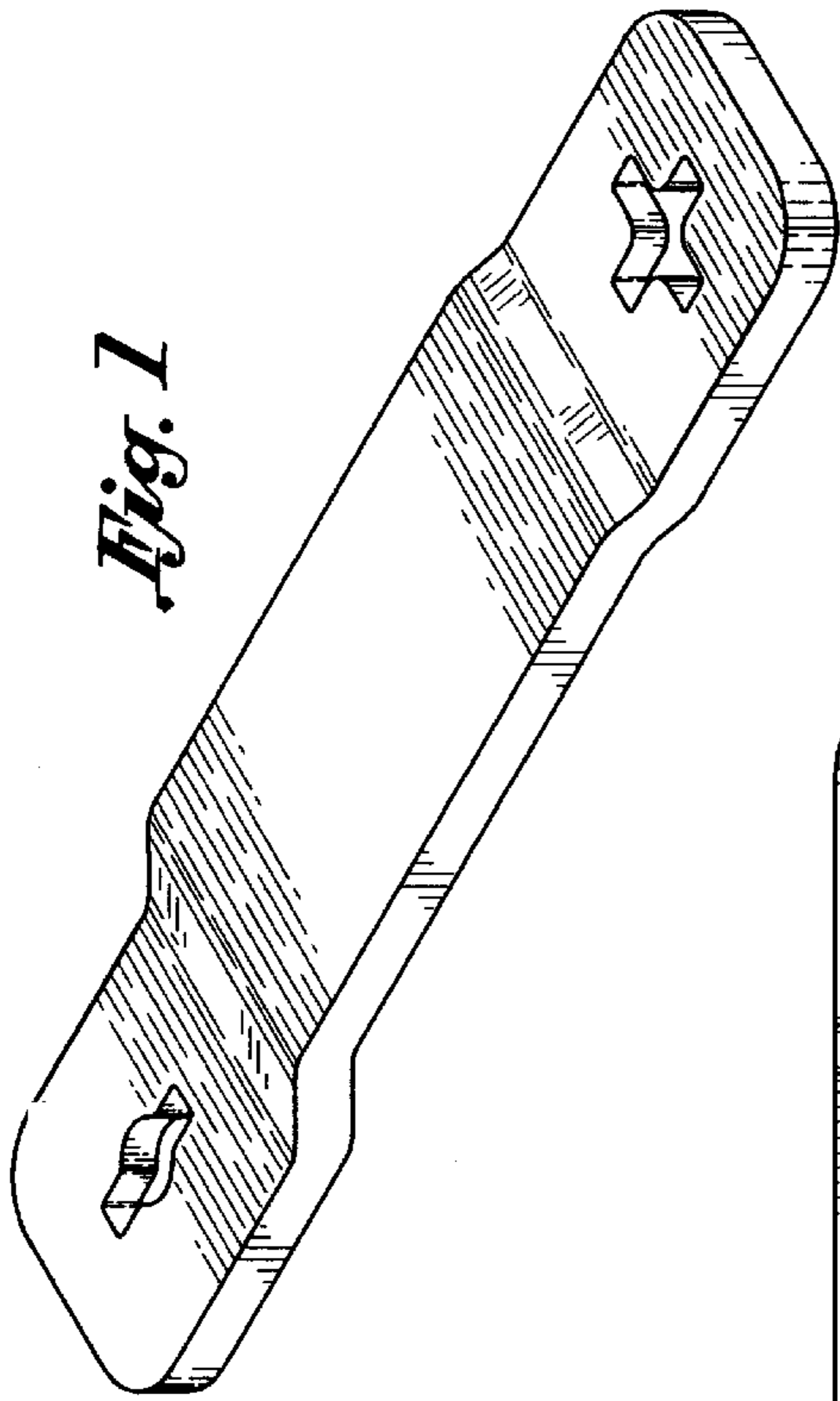


Fig. 1

Fig. 2

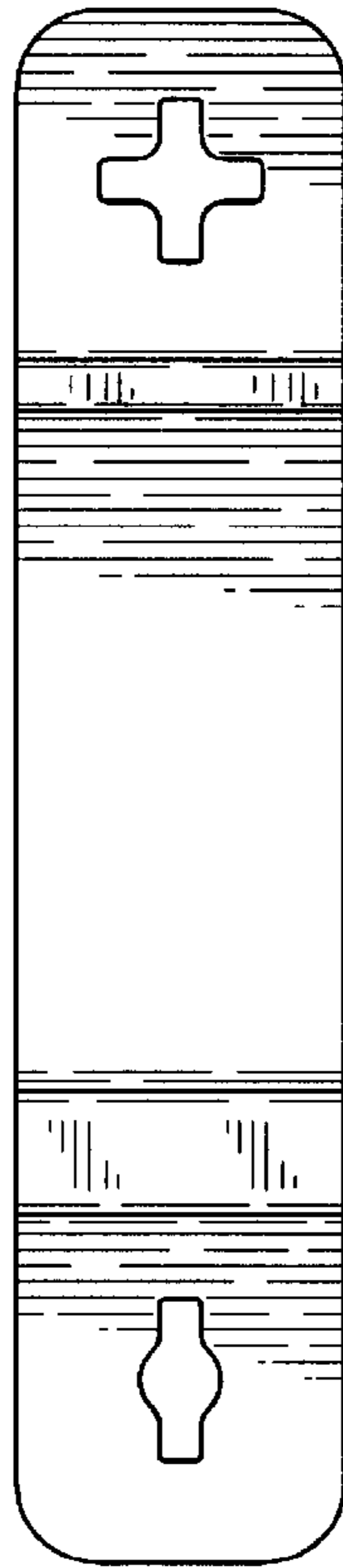


Fig. 4



Fig. 3



Fig. 5



Fig. 6

