



US00D399485S

United States Patent [19]
McMurren

[11] **Patent Number: Des. 399,485**
[45] **Date of Patent: **Oct. 13, 1998**

[54] **BATTERY ELECTROLYTE LEVEL INDICATOR**

[75] Inventor: **Irving B. McMurren**, Palm Springs, Calif.

[73] Assignee: **Bycan Systems Corporation**, Gardena, Calif.

[**] Term: **14 Years**

[21] Appl. No.: **76,504**

[22] Filed: **Sep. 12, 1997**

[51] **LOC (6) Cl.** **13-02**

[52] **U.S. Cl.** **D13/119; D10/101**

[58] **Field of Search** **D13/119; D10/101; 429/90-93; 73/290 R, 308**

[56] **References Cited**

U.S. PATENT DOCUMENTS

D. 120,155	4/1940	Carson	D13/119
D. 201,440	6/1965	Harrison	D13/119
4,074,025	2/1978	Miyagawa	429/91
4,184,011	1/1980	Strazewski	429/91
4,562,127	12/1985	Mangone	429/91 X

Primary Examiner—Joel Sincavage

Attorney, Agent, or Firm—Robert J. Schaap

[57] **CLAIM**

The ornamental design for a battery electrolyte level indicator, as shown.

DESCRIPTION

FIG. 1 is a perspective view of a battery electrolyte level indicator in accordance with the design of the present invention;

FIG. 2 is a front elevational view of the battery electrolyte level indicator;

FIG. 3 is a left-side elevational view of the battery electrolyte level indicator;

FIG. 4 is a rear elevational view of the battery electrolyte level indicator;

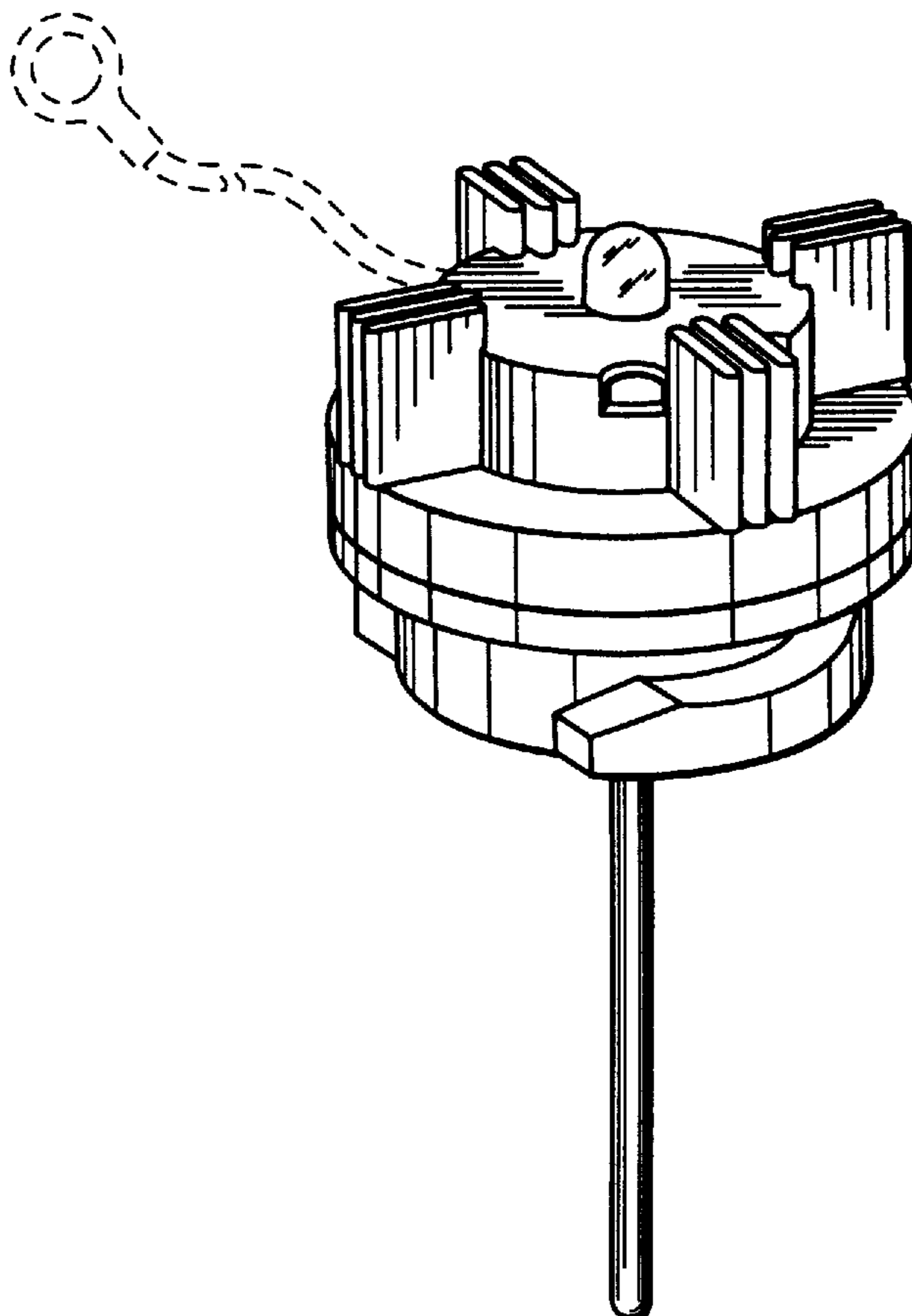
FIG. 5 is a right-side elevational view of the battery electrolyte level indicator;

FIG. 6 is a top plan view of the battery electrolyte level indicator; and,

FIG. 7 is a bottom plan view of the battery electrolyte level indicator.

The broken line showing in FIG. 1 is included for the purpose of illustrating environmental structure only and forms no part of the claimed design.

1 Claim, 3 Drawing Sheets



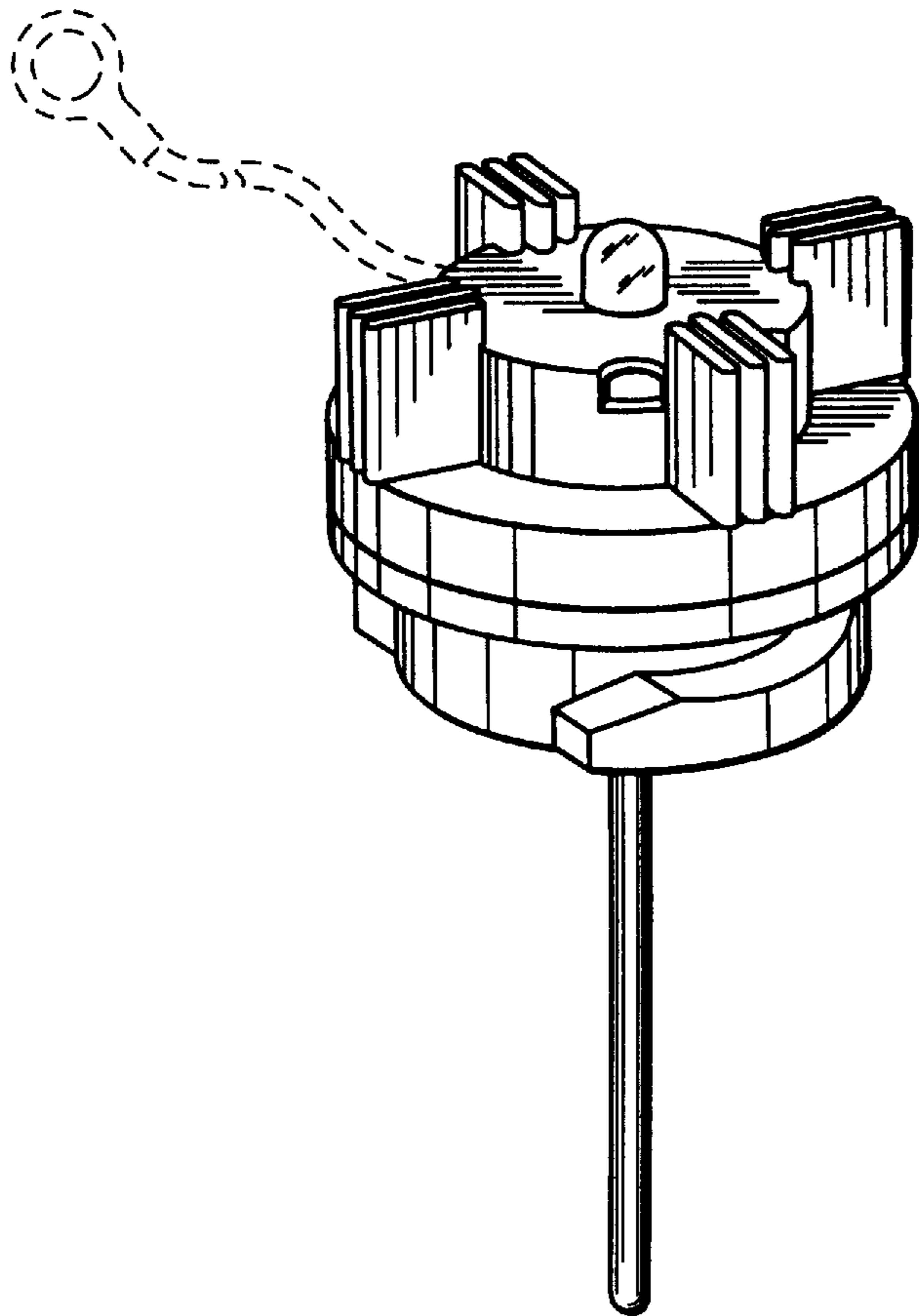


FIG. 1

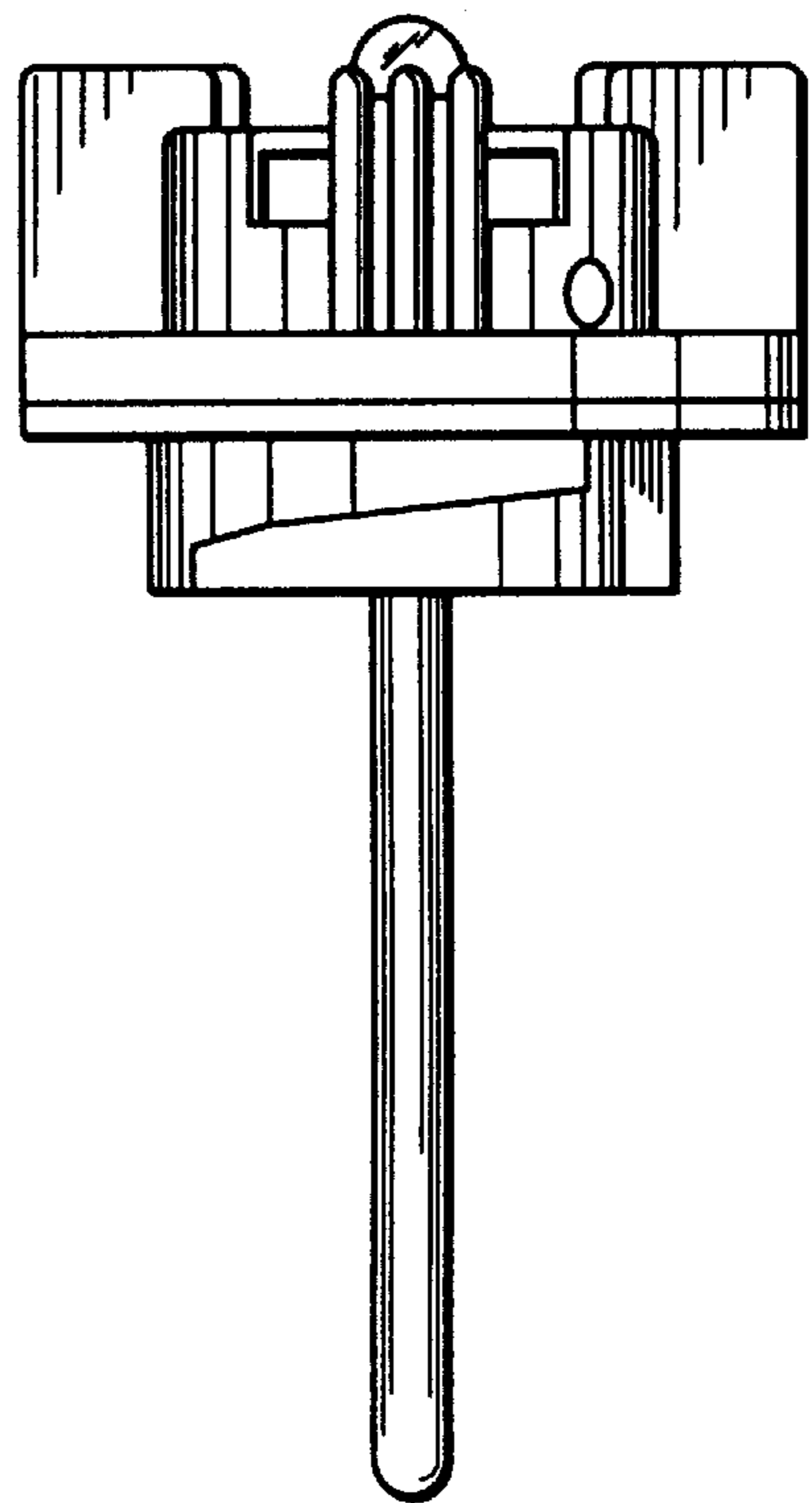


FIG. 2

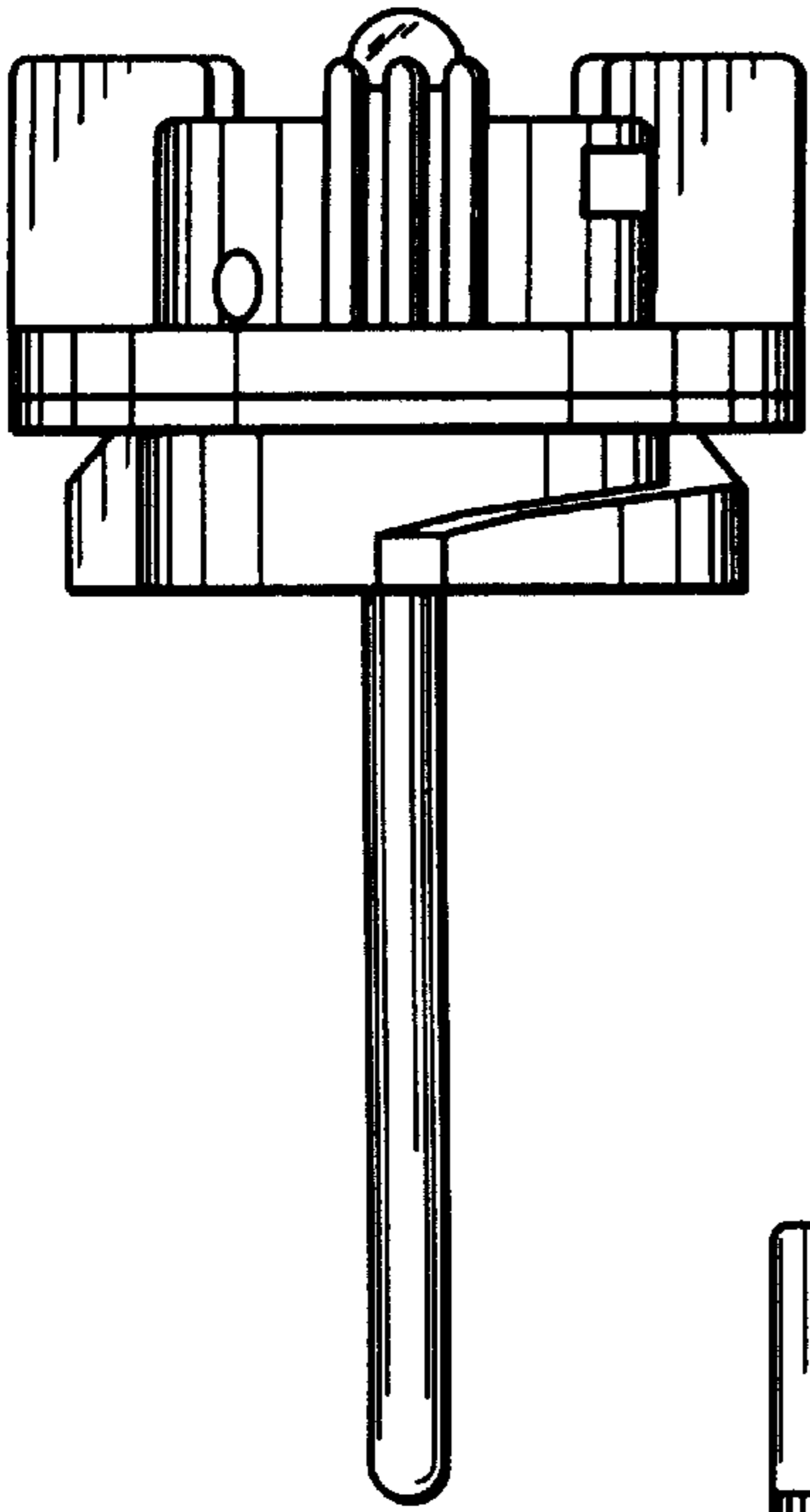


FIG. 3

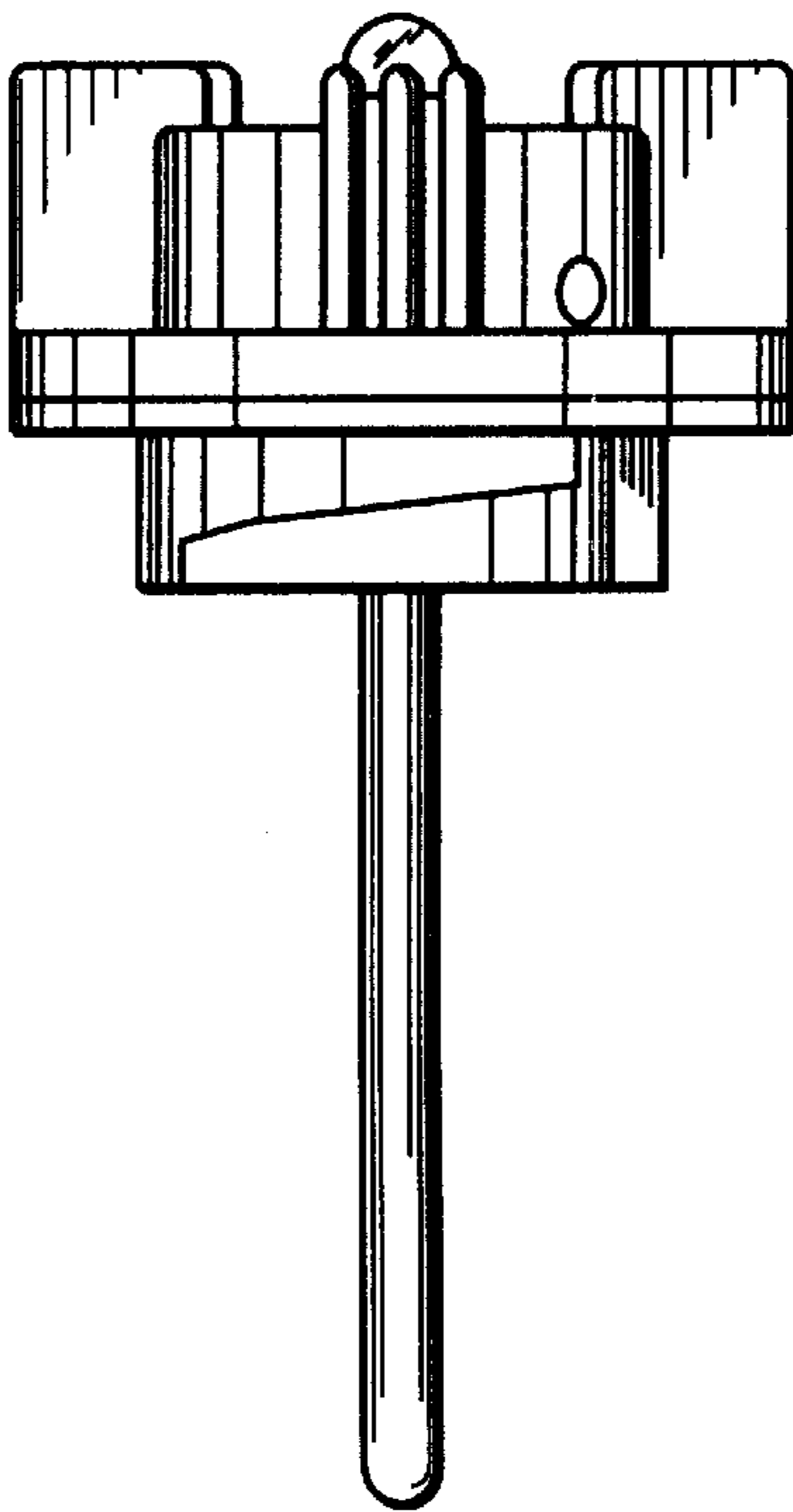


FIG. 4

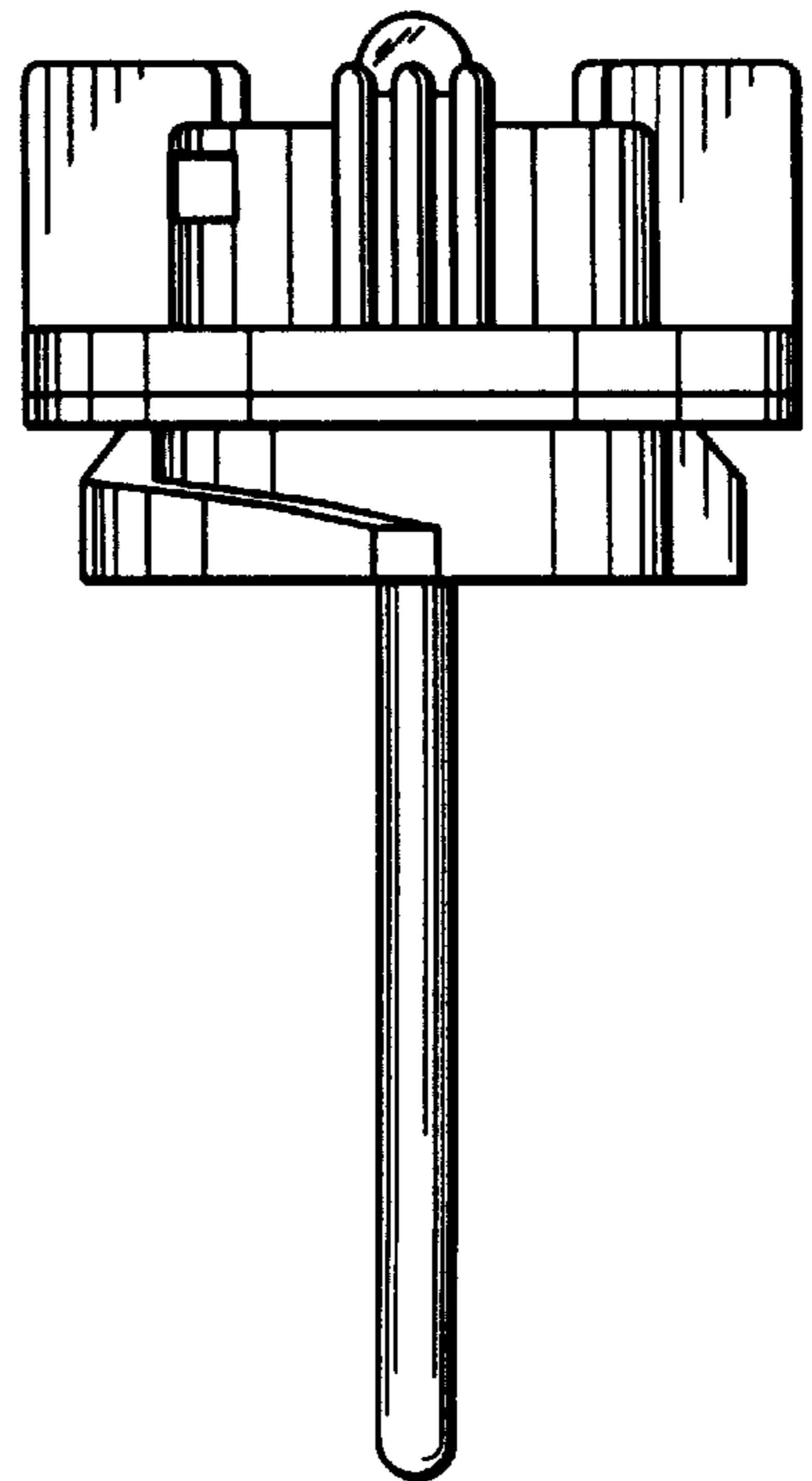


FIG. 5

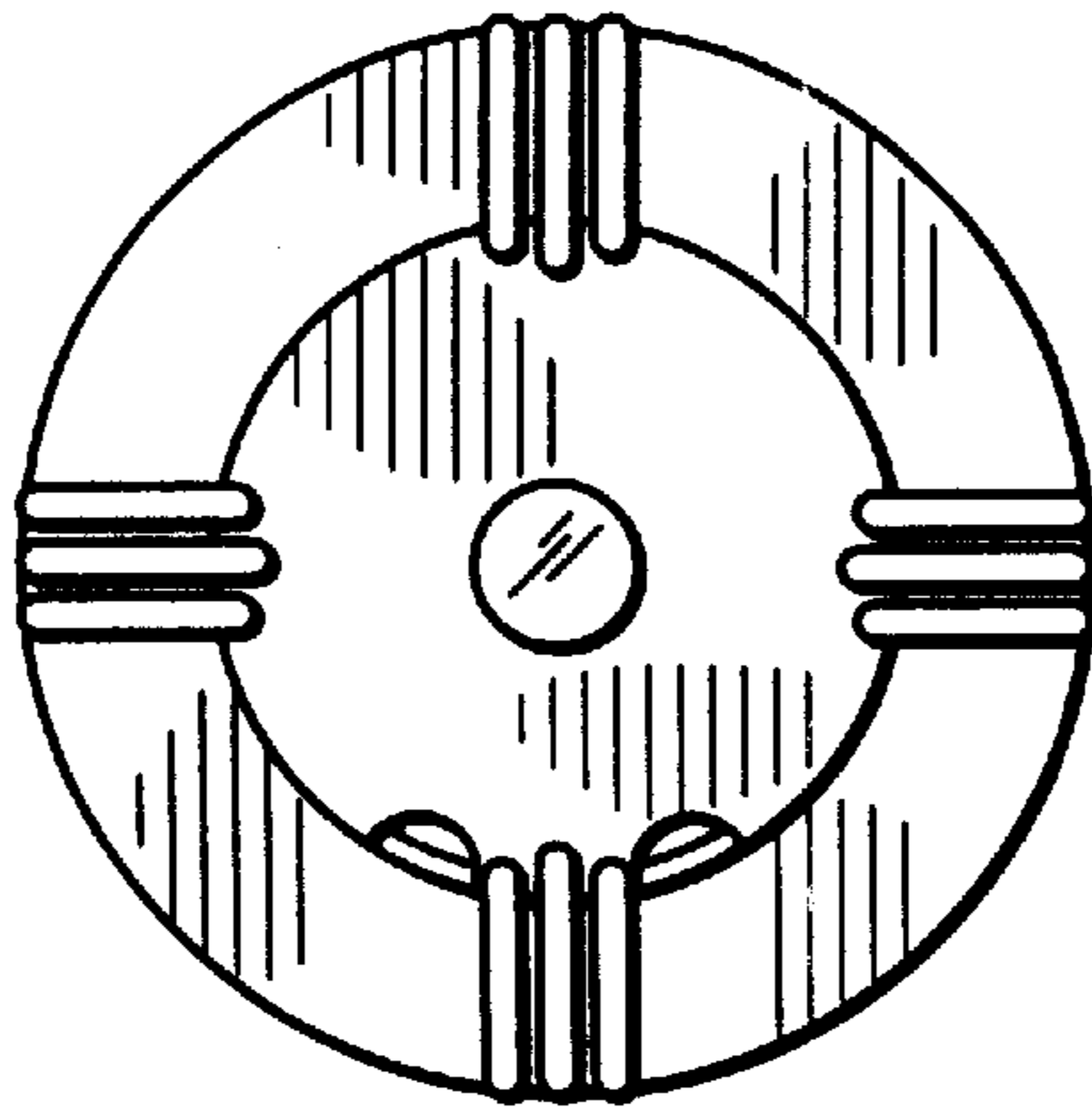


FIG. 6

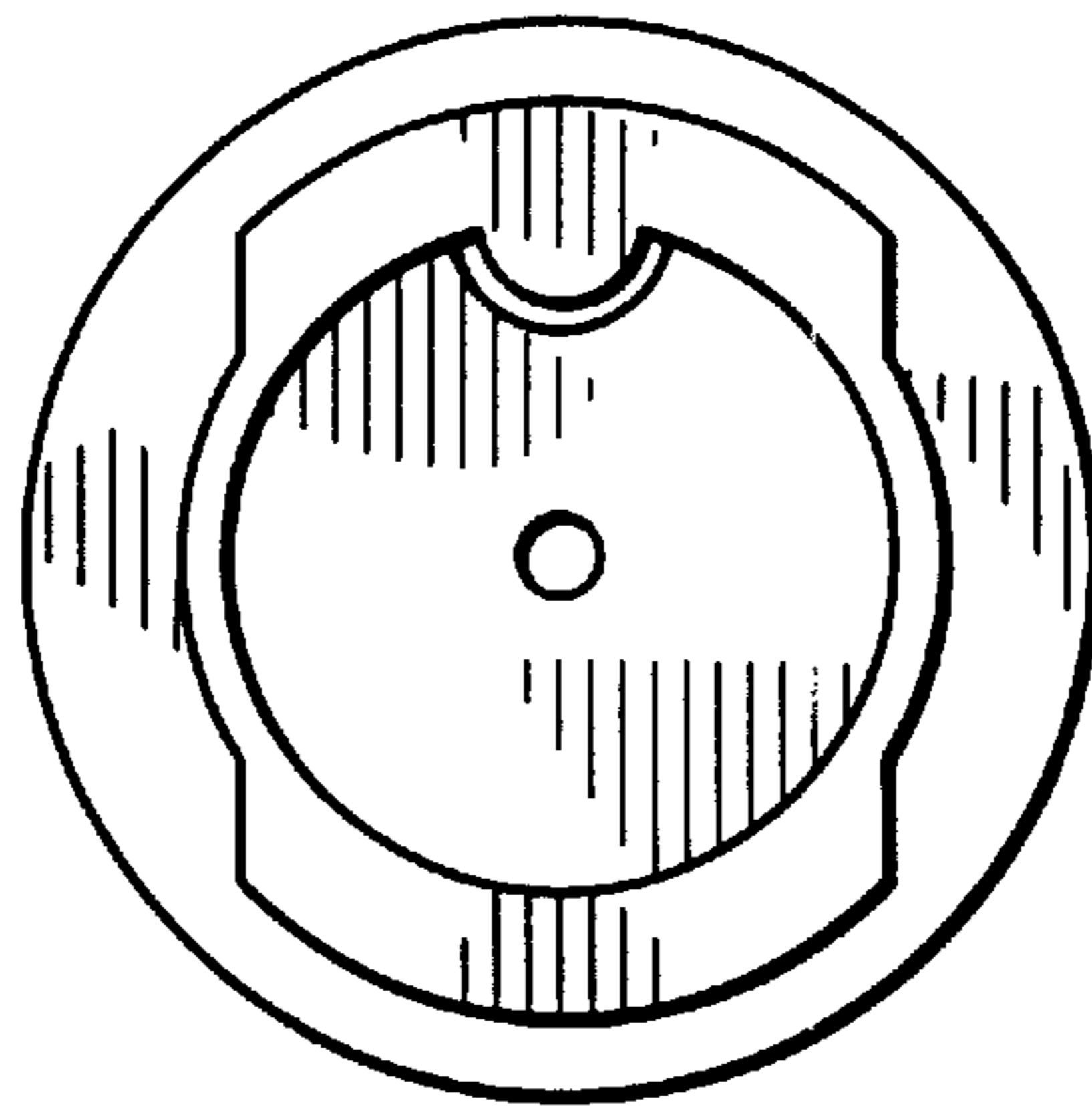


FIG. 7