



US00D399484S

United States Patent [19] Higgins et al.

[11] Patent Number: **Des. 399,484**

[45] Date of Patent: ****Oct. 13, 1998**

[54] **BATTERY**

[75] Inventors: **Charles T. Higgins**, Richmond, Va.;
Shozo Minagawa, Tokyo, Japan

[73] Assignee: **Philip Morris Incorporated**, New York, N.Y.

[**] Term: **14 Years**

[21] Appl. No.: **67,130**

[22] Filed: **Feb. 25, 1997**

[51] **LOC (6) Cl.** **13-02**

[52] **U.S. Cl.** **D13/103**

[58] **Field of Search** D13/103; 429/96-100,
429/163, 176

- D. 368,552 4/1996 Adams .
- D. 375,482 11/1996 Andrews .
- 5,388,594 2/1995 Counts et al. .
- 5,479,948 1/1996 Counts et al. .
- 5,505,214 4/1996 Collins et al. .
- 5,530,225 6/1996 Hajaligol .
- 5,564,442 10/1996 MacDonald et al. .
- 5,591,368 1/1997 Fleischhauer et al. .

Primary Examiner—Joel Sincavage
Attorney, Agent, or Firm—Burns, Doane, Swecker & Mathis, LLP

[57] CLAIM

We claim the ornamental design for the battery, as shown and described.

DESCRIPTION

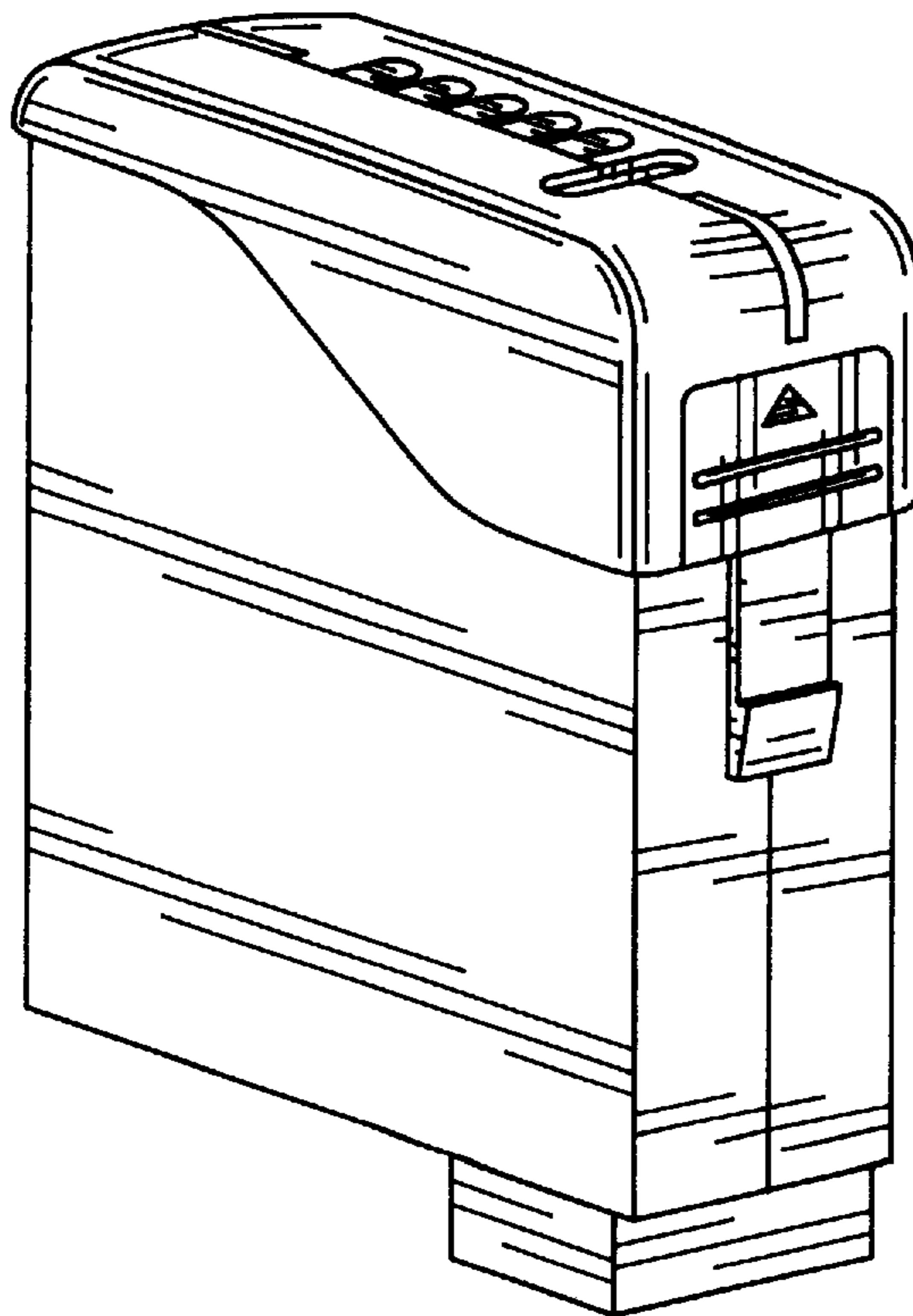
FIG. 1 is a front elevational view of the battery incorporating my/our new design;
FIG. 2 is a rear elevational view thereof;
FIG. 3 is a left side elevational view thereof;
FIG. 4 is a right side elevational view thereof;
FIG. 5 is a bottom plan view thereof;
FIG. 6 is a top plan view thereof; and,
FIG. 7 is a left, front, top perspective view thereof.

1 Claim, 2 Drawing Sheets

[56] References Cited

U.S. PATENT DOCUMENTS

- D. 295,511 5/1988 Scheid et al. D13/103
- D. 299,226 1/1989 Toth et al. .
- D. 323,809 2/1992 Ross, Jr. .
- D. 334,169 3/1993 Antoneczak D13/103
- D. 346,878 5/1994 Gee et al. .
- D. 347,490 5/1994 Gee et al. .
- D. 355,158 2/1995 Alexandres et al. .
- D. 367,256 2/1996 Tokunaga .



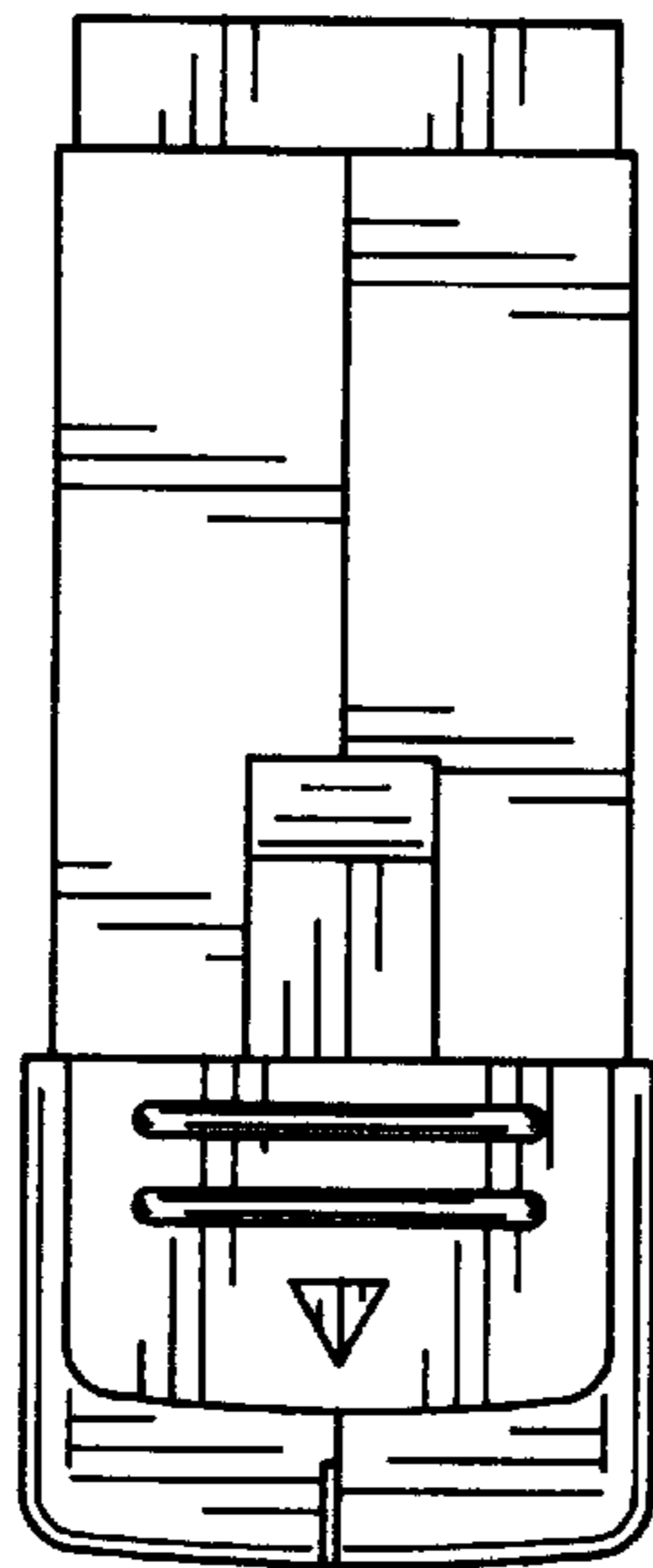


FIG. 1

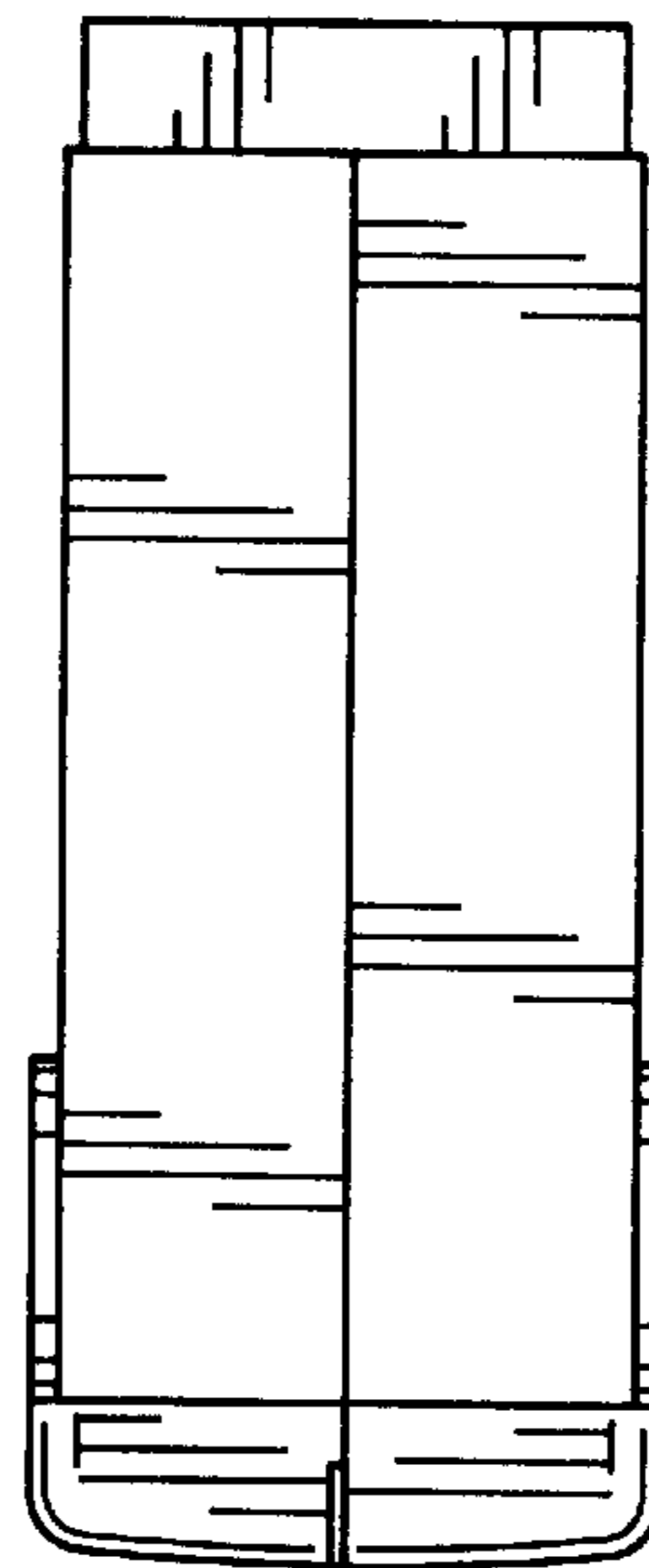


FIG. 2

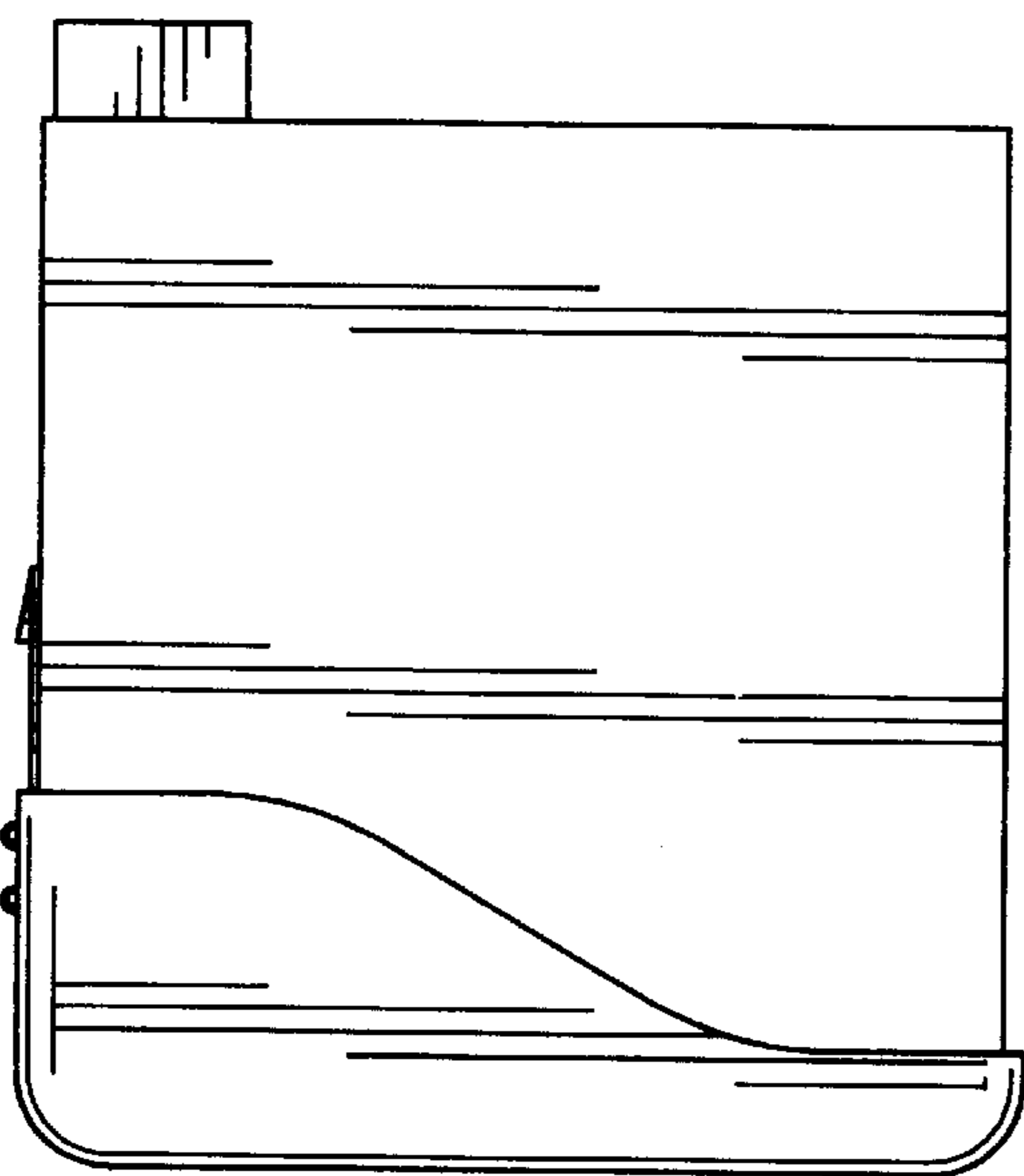


FIG. 3

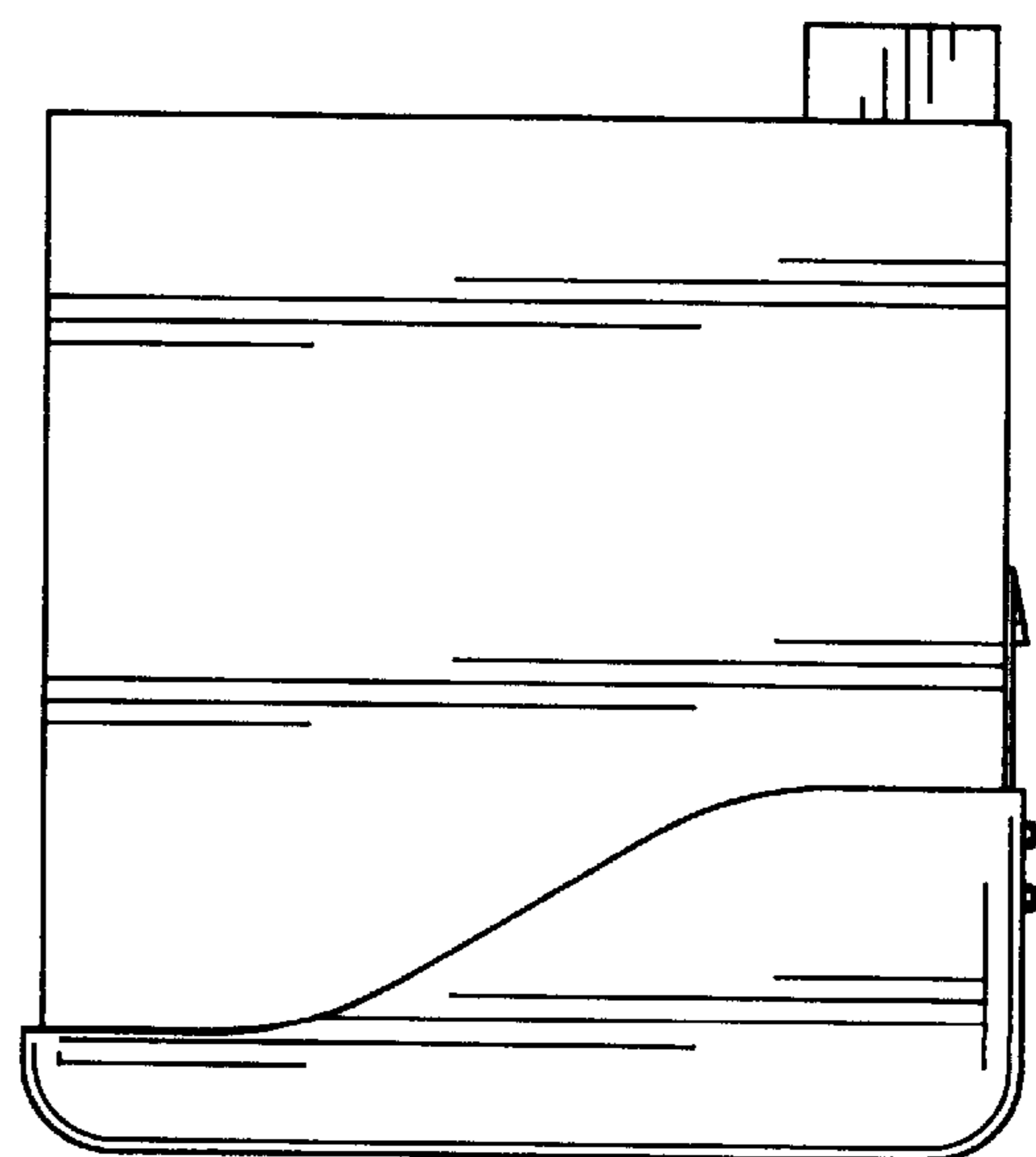


FIG. 4

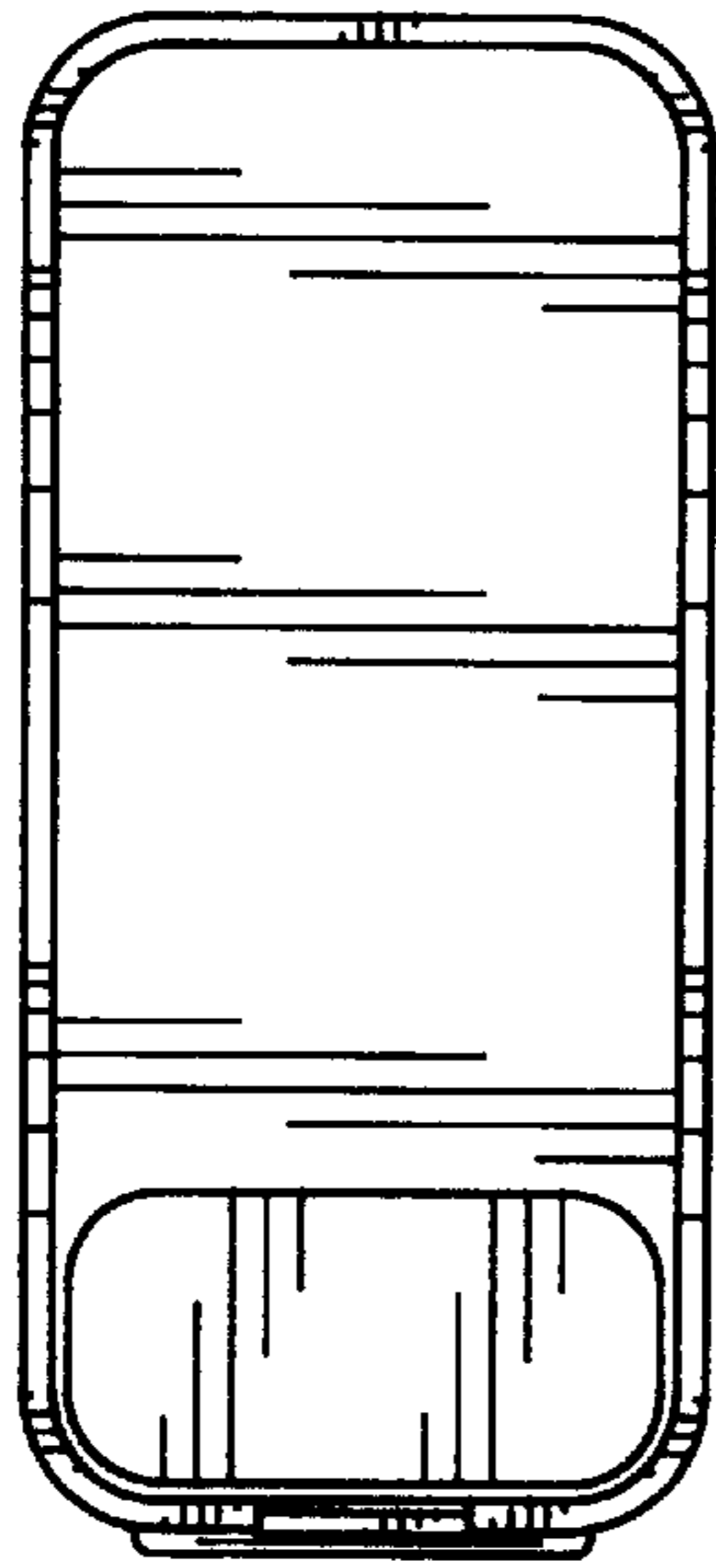


FIG. 5

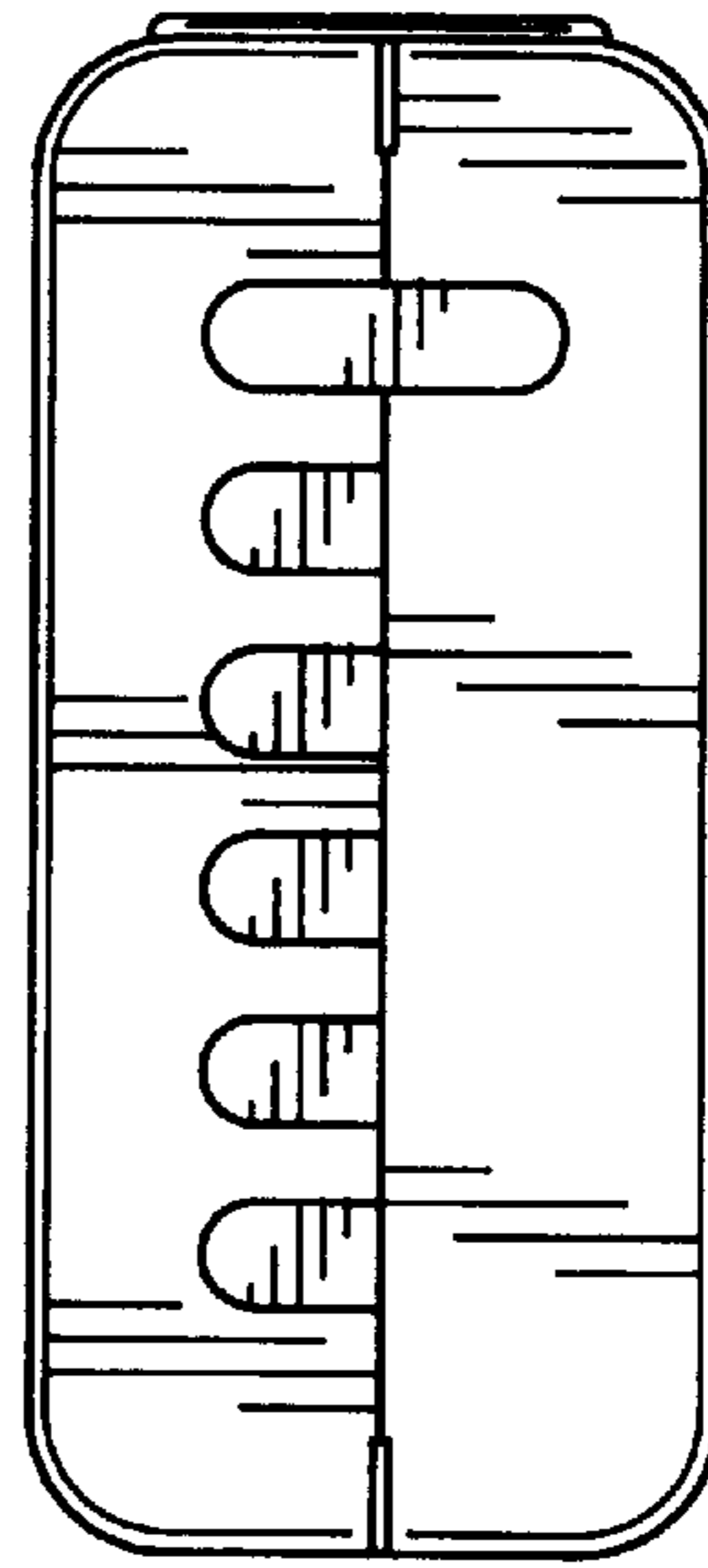


FIG. 6

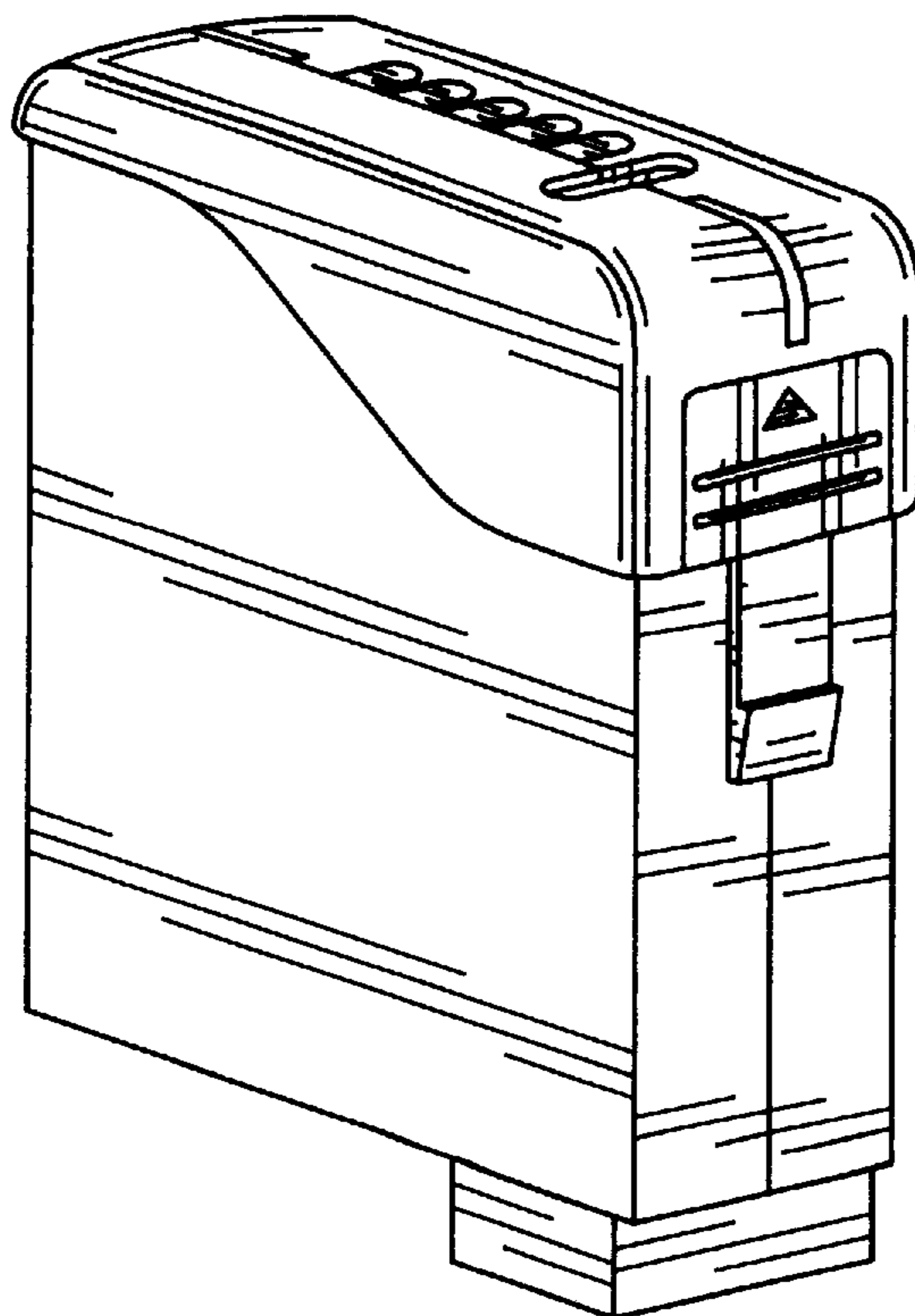


FIG. 7