



US00D399483S

United States Patent [19]

Paredes, Jr.

[11] Patent Number: **Des. 399,483**

[45] Date of Patent: ****Oct. 13, 1998**

[54] **CONSOLE FOR VEHICLE**

[76] Inventor: **Rafael Paredes, Jr.**, 1555 W. 44 Pl.
#205, Hialeah, Fla. 33012

[**] Term: **14 Years**

[21] Appl. No.: **60,960**

[22] Filed: **Oct. 15, 1996**

[51] **LOC (6) Cl.** **12-16**

[52] **U.S. Cl.** **D12/424**

[58] **Field of Search** D12/400, 415,
D12/416, 419-426; 224/536, 539-540,
37.1, 928, 42.11, 400, 926, 548, 275; 296/37.1,
37.8, 37.13-37.16

[56] **References Cited**

U.S. PATENT DOCUMENTS

D. 191,356	9/1961	Krone	D12/419
D. 207,902	6/1967	Bray	D12/419
D. 212,726	11/1968	Di Vona	D12/419 X
D. 228,973	10/1973	Waldsmith	D12/419
D. 302,356	7/1989	Bell et al.	D12/419 X
D. 317,674	6/1991	Smith	D12/419 X
D. 323,932	2/1992	Hudgens	D12/419 X
D. 346,066	4/1994	Smith	D12/416
D. 351,585	10/1994	Scheurer	D12/424

D. 352,495	11/1994	Mawhinney et al.	D12/419
D. 359,266	6/1995	Karp et al.	D12/419
D. 363,698	10/1995	Smith	D12/419
D. 368,890	4/1996	Morris	D12/419
D. 370,887	6/1996	Duguid	D12/424
D. 373,987	9/1996	Diem	D12/419
D. 374,857	10/1996	Diem	D12/419
D. 375,480	11/1996	Smith	D12/419

Primary Examiner—James Gandy
Assistant Examiner—Stacia Sinuik
Attorney, Agent, or Firm—J. Sanchelima

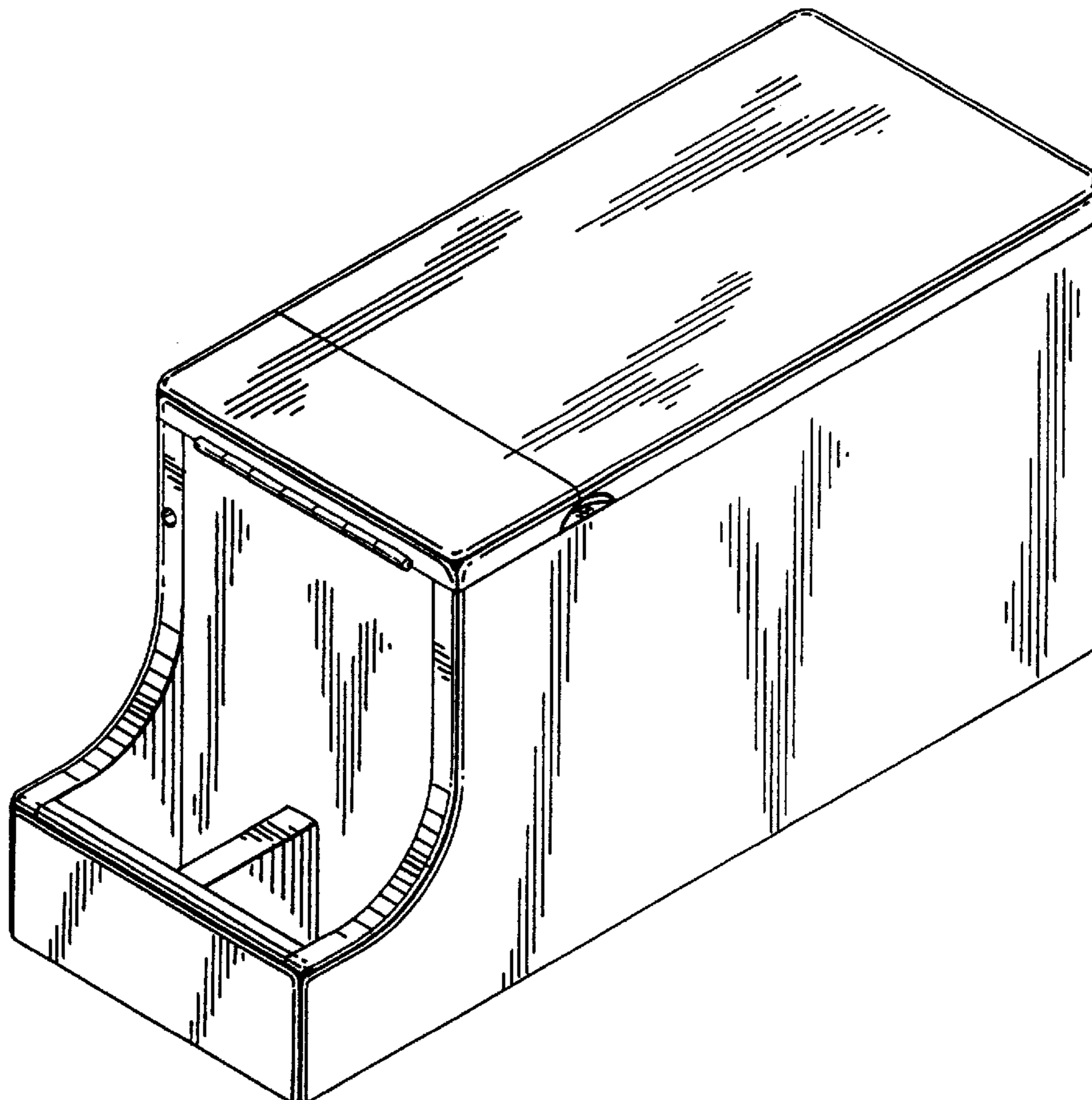
[57] **CLAIM**

The ornamental design for a console for vehicles, as shown and described.

DESCRIPTION

FIG. 1 is a top view of a console for vehicle, showing my new design;
FIG. 2 is a side elevational view thereof;
FIG. 3 is a bottom view thereof;
FIG. 4 is a rear elevational view thereof;
FIG. 5 is the opposite side elevational view of FIG. 2 thereof; and,
FIG. 6 is a front elevational view thereof; and,
FIG. 7 is a reduced perspective view thereof.

1 Claim, 3 Drawing Sheets



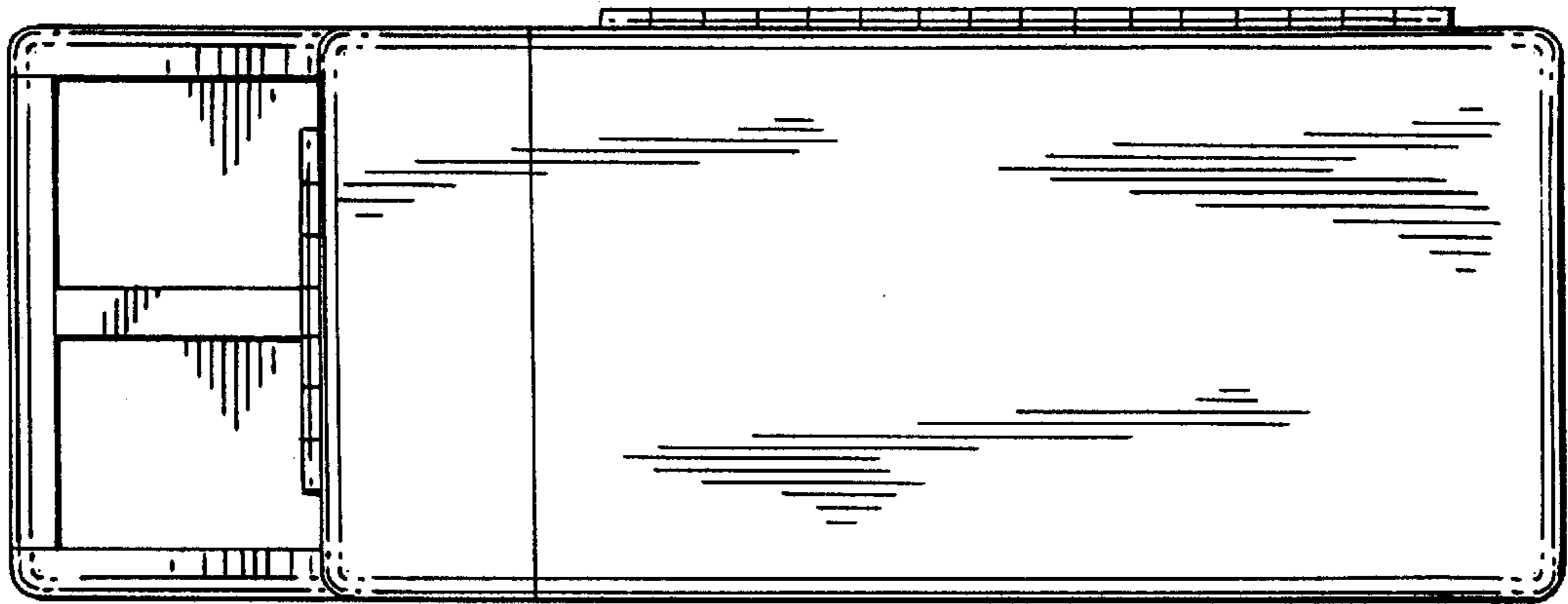


FIG. 1

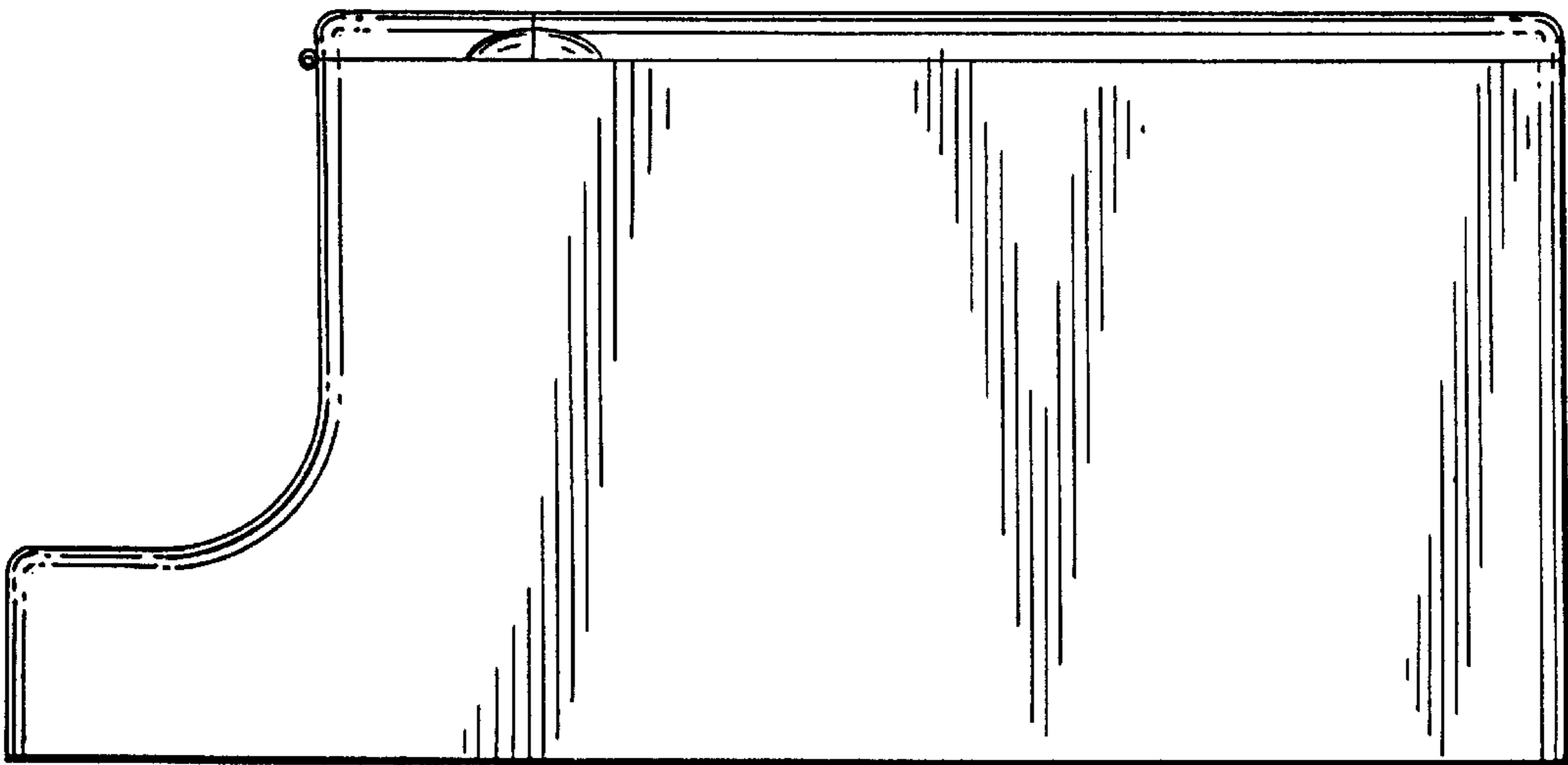


FIG. 2

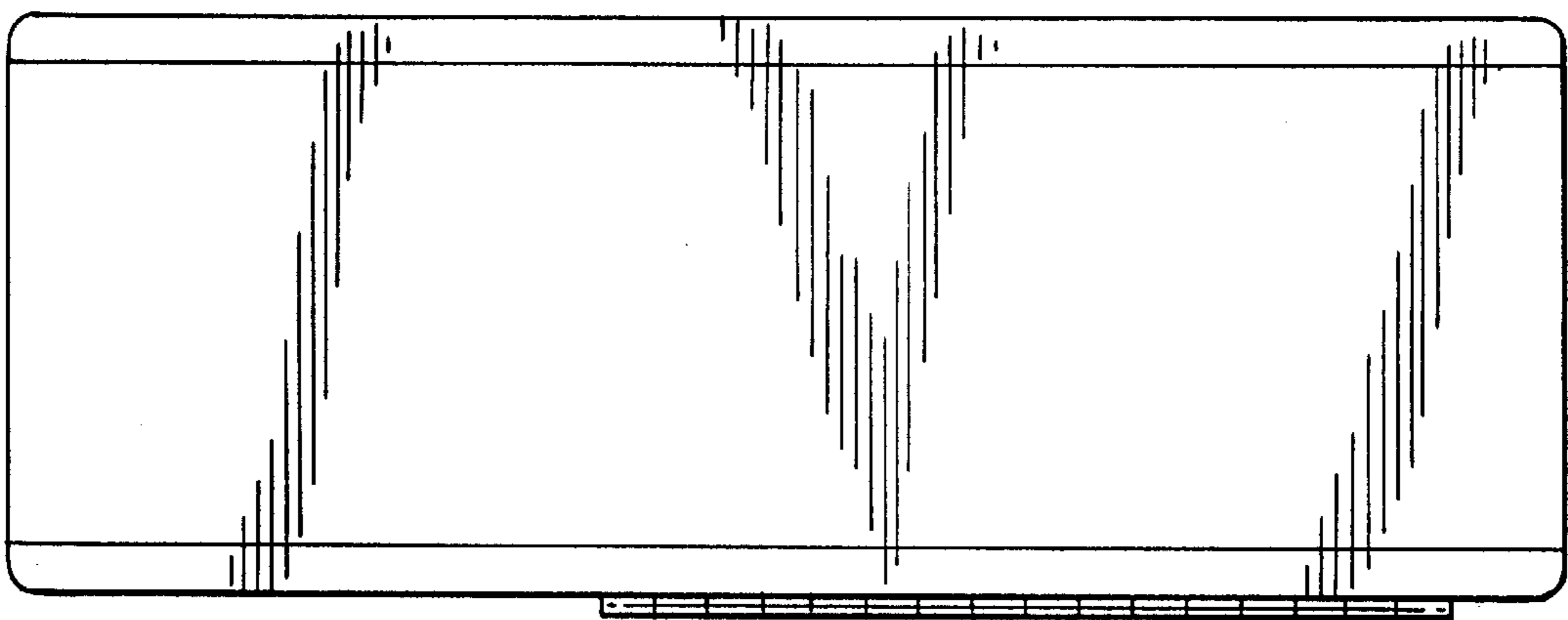


FIG. 3

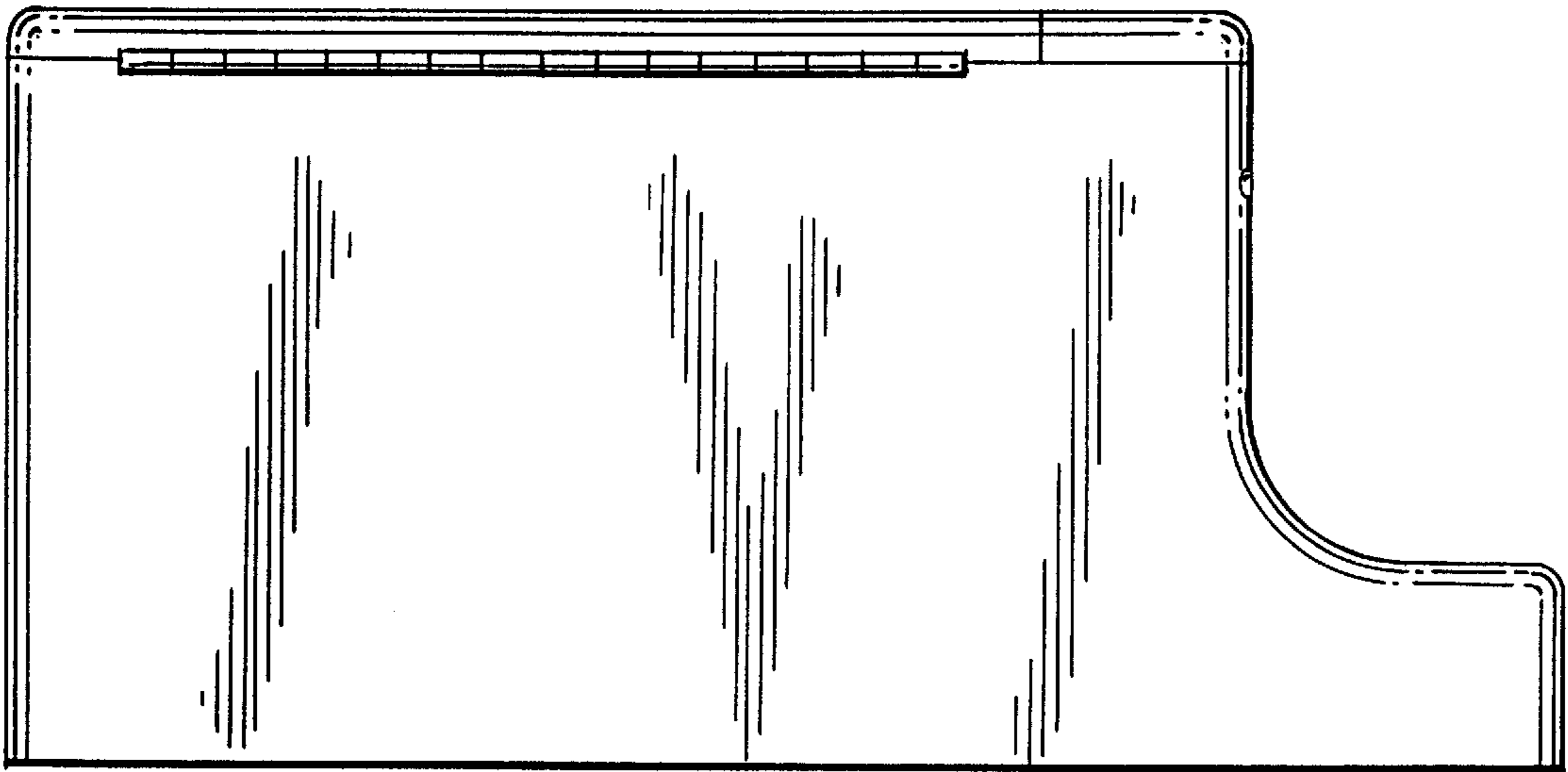


FIG. 5

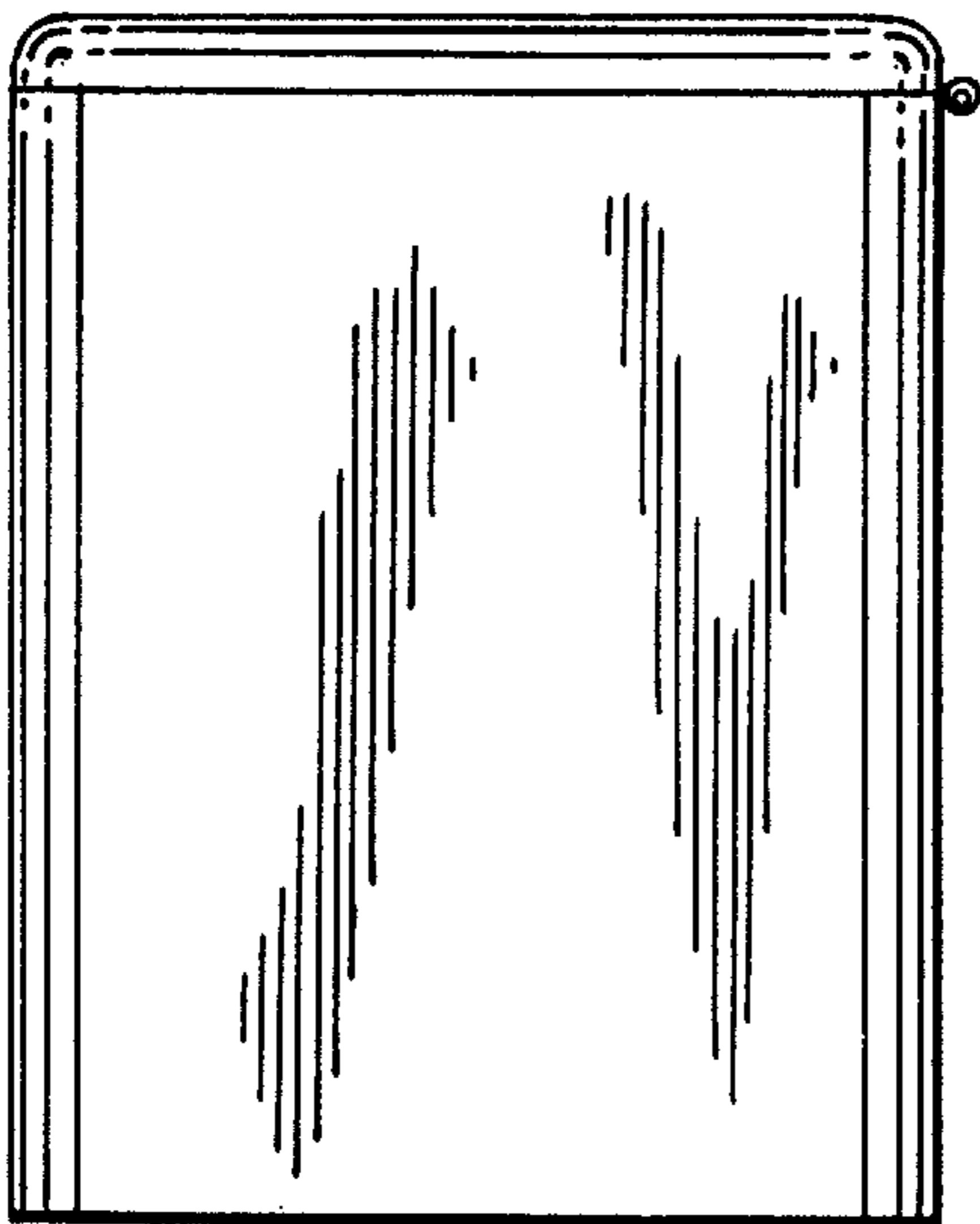


FIG. 4

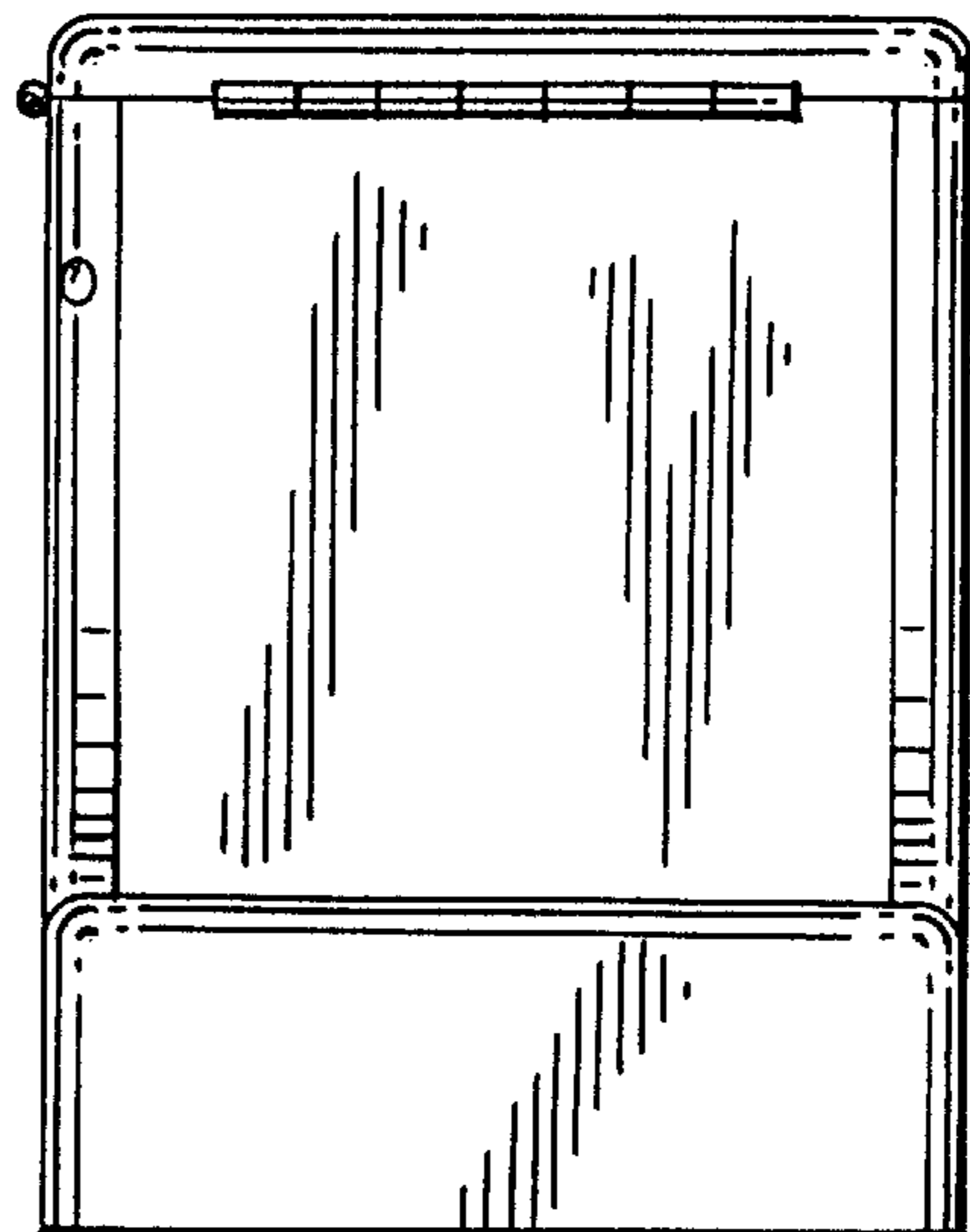


FIG. 6

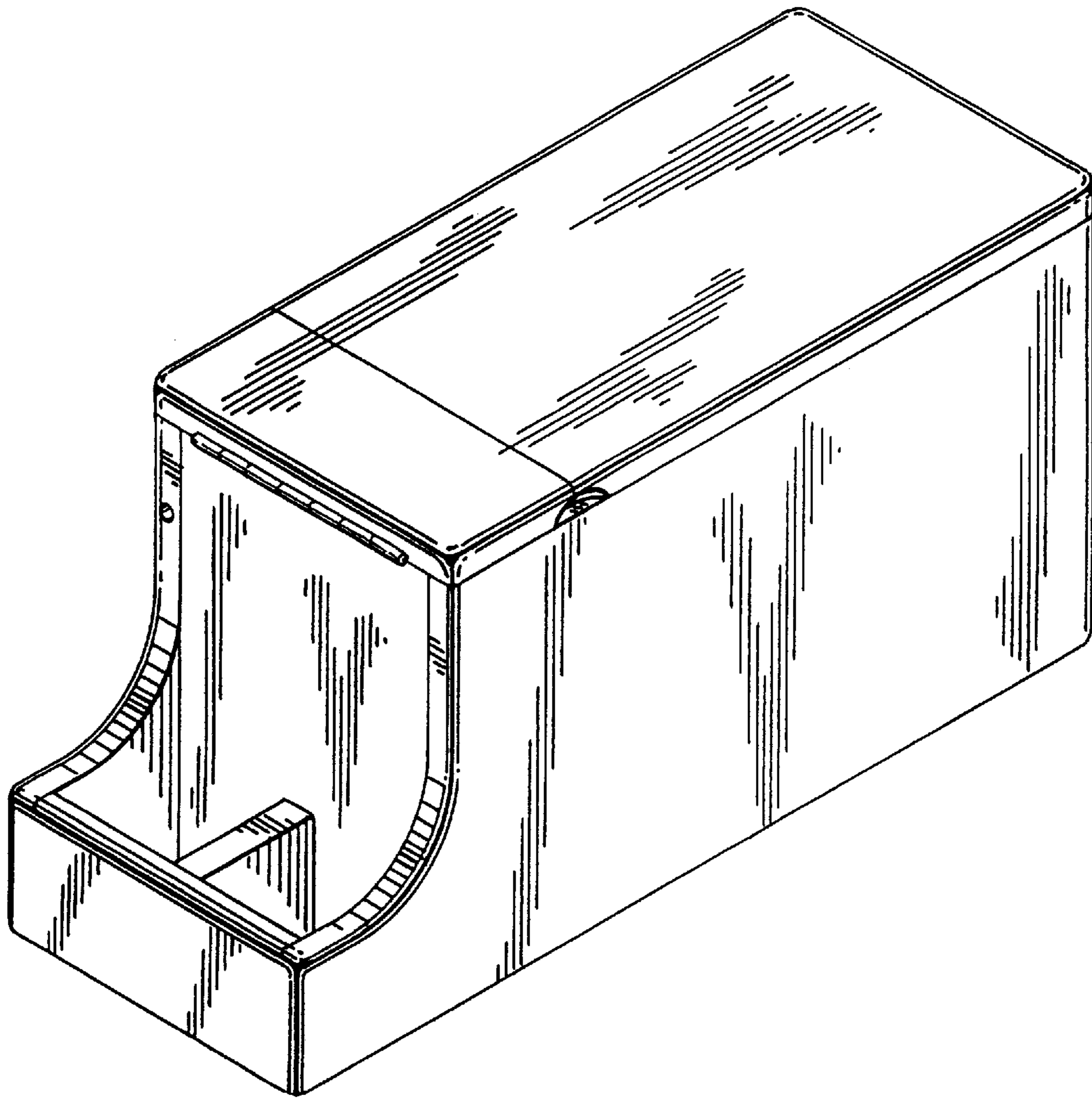


FIG. 7