



US00D399482S

United States Patent [19]
Guichard

[11] **Patent Number: Des. 399,482**

[45] **Date of Patent: **Oct. 13, 1998**

[54] **STORAGE CONSOLE**

[75] Inventor: **Gary D. Guichard**, Farmington Hills, Mich.

[73] Assignee: **Chrysler Corporation**, Auburn Hills, Mich.

[**] Term: **14 Years**

[21] Appl. No.: **62,582**

[22] Filed: **Nov. 19, 1996**

[51] **LOC (6) Cl.** **12-16**

[52] **U.S. Cl.** **D12/419**

[58] **Field of Search** D12/400, 415, D12/416, 419-426; 224/42.11, 42.25, 275, 327-329, 42.24, 400, 539; 296/37.1, 37.6

[56] **References Cited**

U.S. PATENT DOCUMENTS

- D. 224,673 8/1972 Brooks D12/419
- D. 244,487 5/1977 Jensen D12/419
- D. 249,904 10/1978 Monopoli D12/419
- D. 250,065 10/1978 Monopoli D12/419
- D. 259,835 7/1981 Page, Jr. D12/419

- D. 264,525 5/1982 Page, Jr. D12/419
- D. 307,355 4/1990 Page, Jr. D12/419
- D. 351,585 10/1994 Scheurer D12/424
- D. 368,889 4/1996 Mankey et al. D12/419
- D. 370,887 6/1996 Duguid D12/424
- D. 371,538 7/1996 Ferrigan D12/419

Primary Examiner—James Gandy
Assistant Examiner—Stacia Sinuik
Attorney, Agent, or Firm—Mark P. Calcaterra

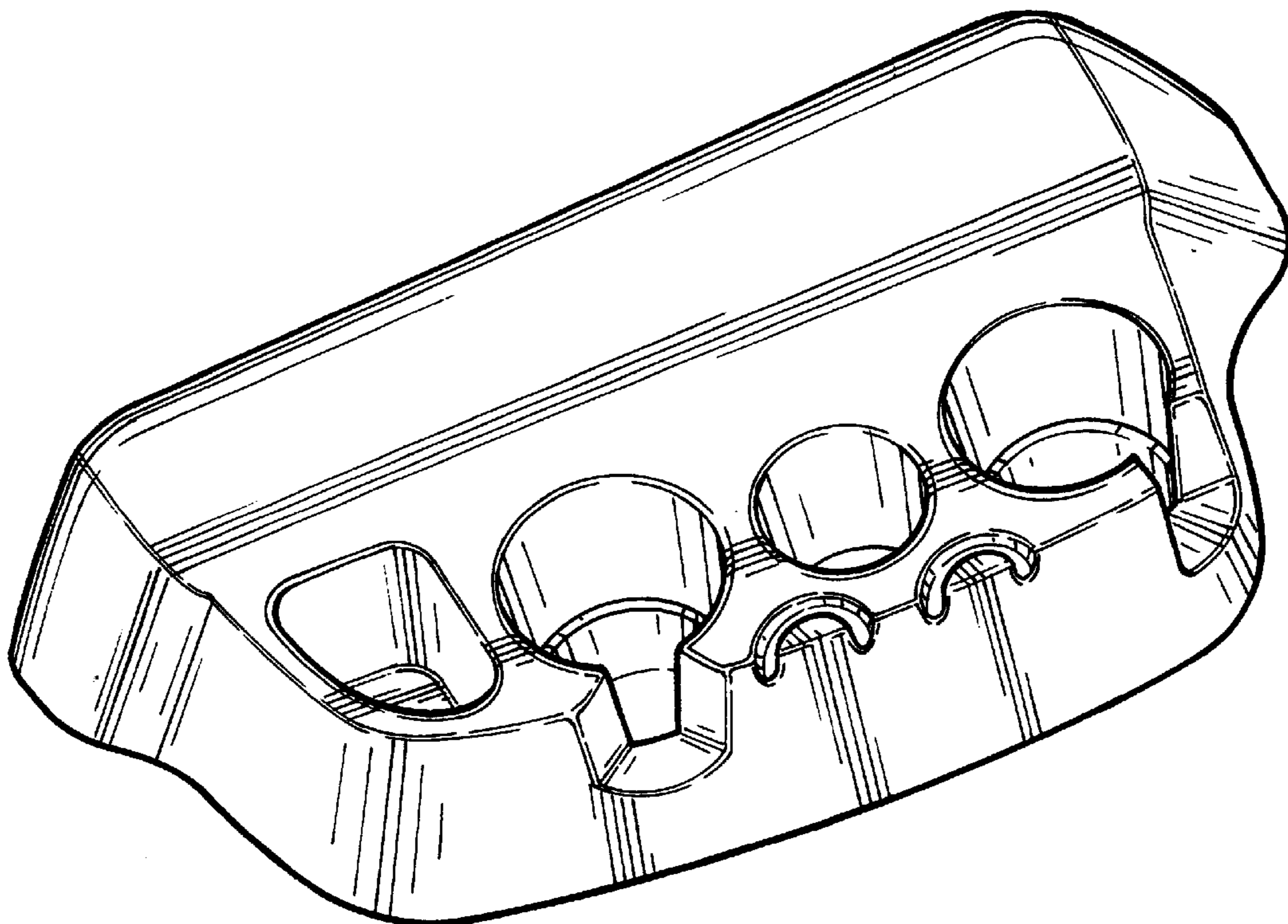
[57] **CLAIM**

The ornamental design for a storage console, as shown and described.

DESCRIPTION

FIG. 1 is a top and front perspective view of a storage console showing my new design;
FIG. 2 is a top view of the storage console of FIG. 1;
FIG. 3 is a front view of the storage console of FIG. 1;
FIG. 4 is a rear view of the storage console of FIG. 1;
FIG. 5 is a left side view of the storage console of FIG. 1; and,
FIG. 6 is a right side view of the storage console of FIG. 1.
The bottom of the storage console is flat and unornamented.

1 Claim, 2 Drawing Sheets



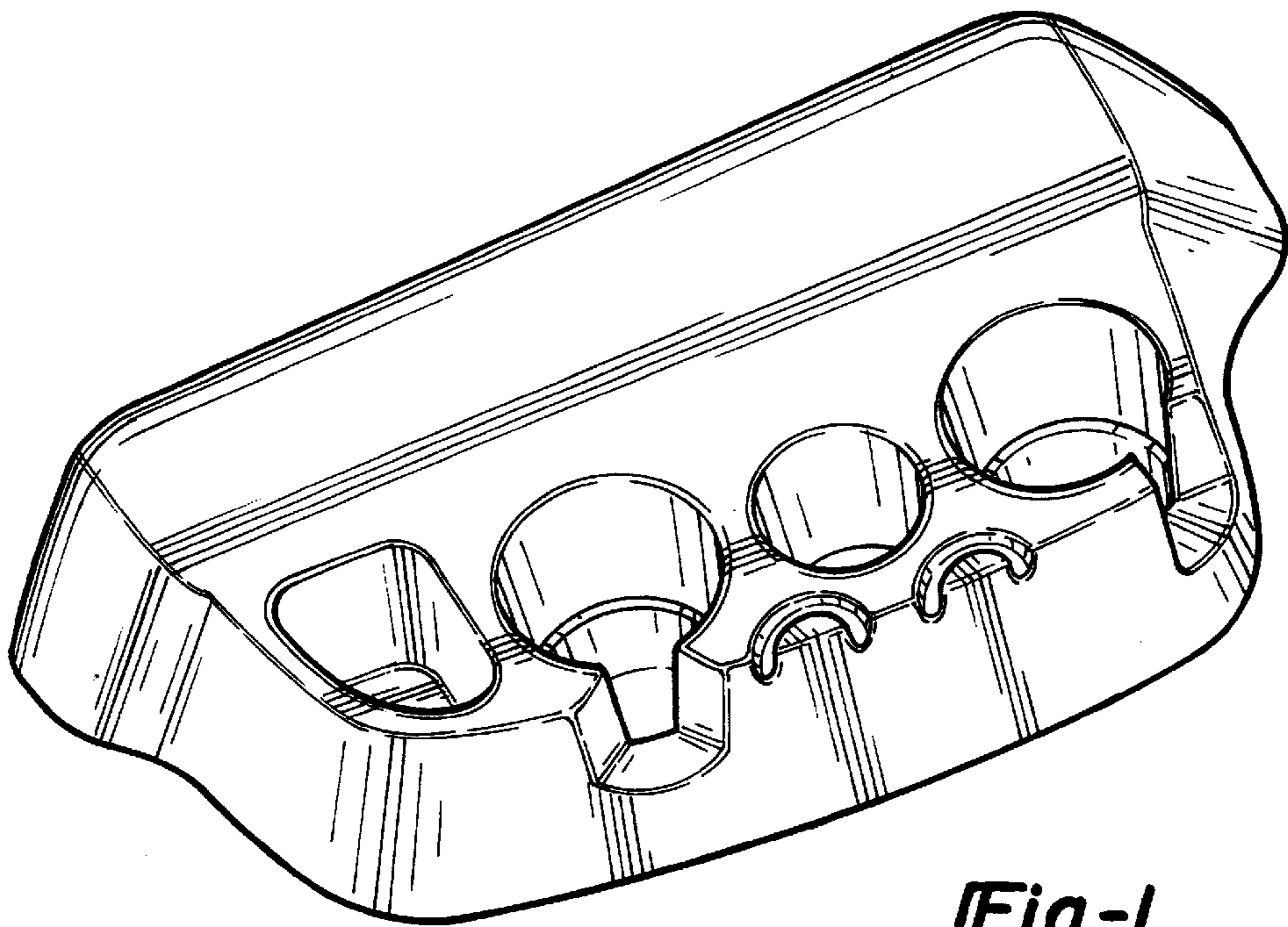


Fig-1

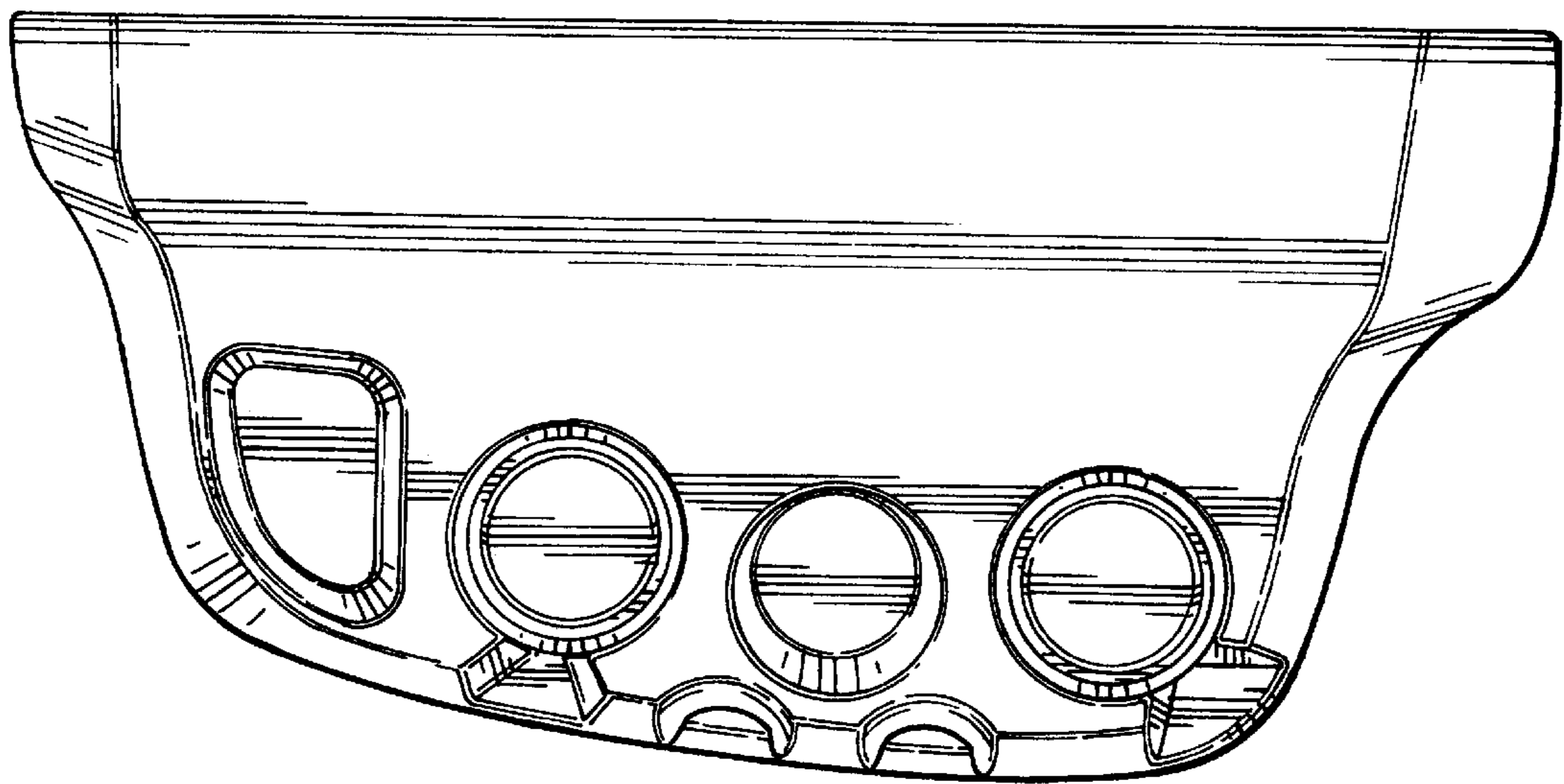


Fig-2

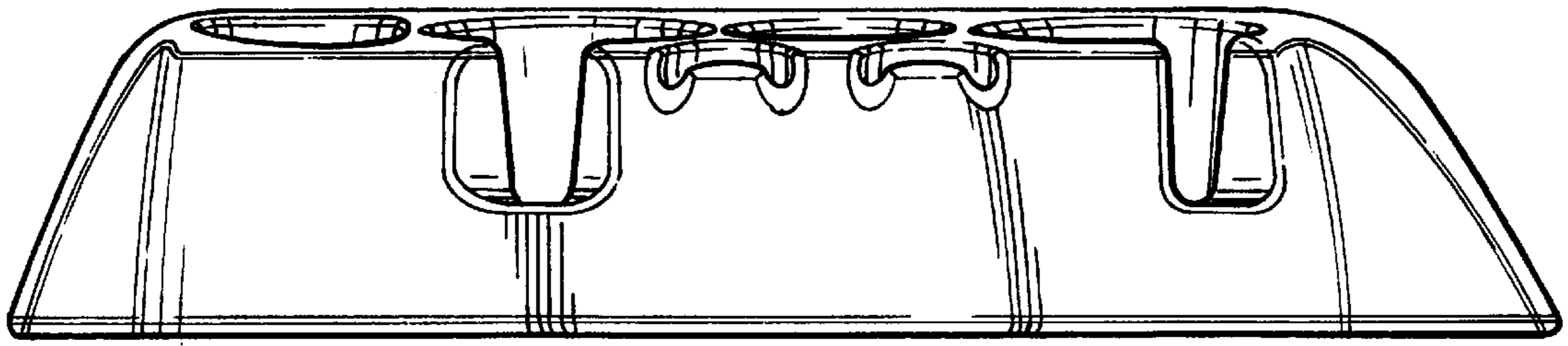


Fig-3

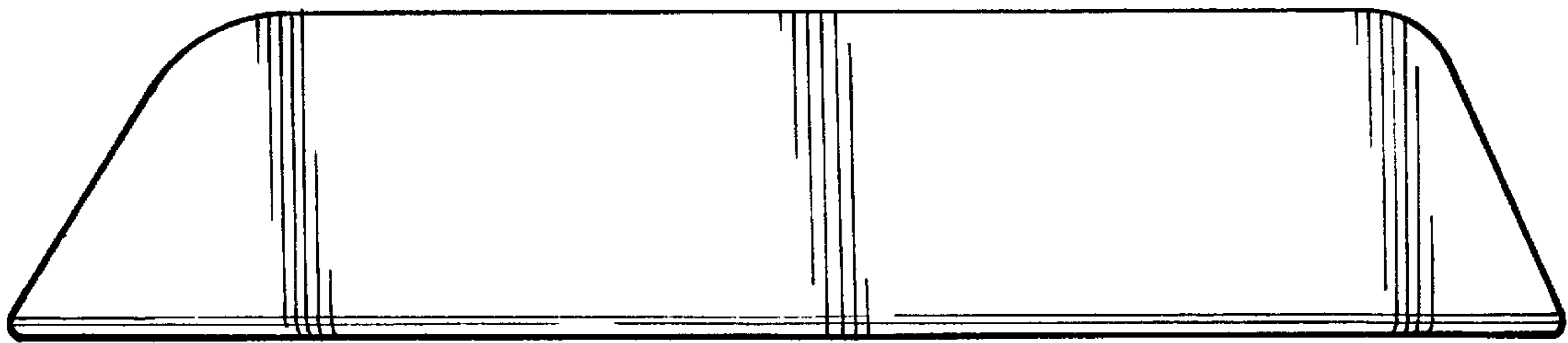


Fig-4

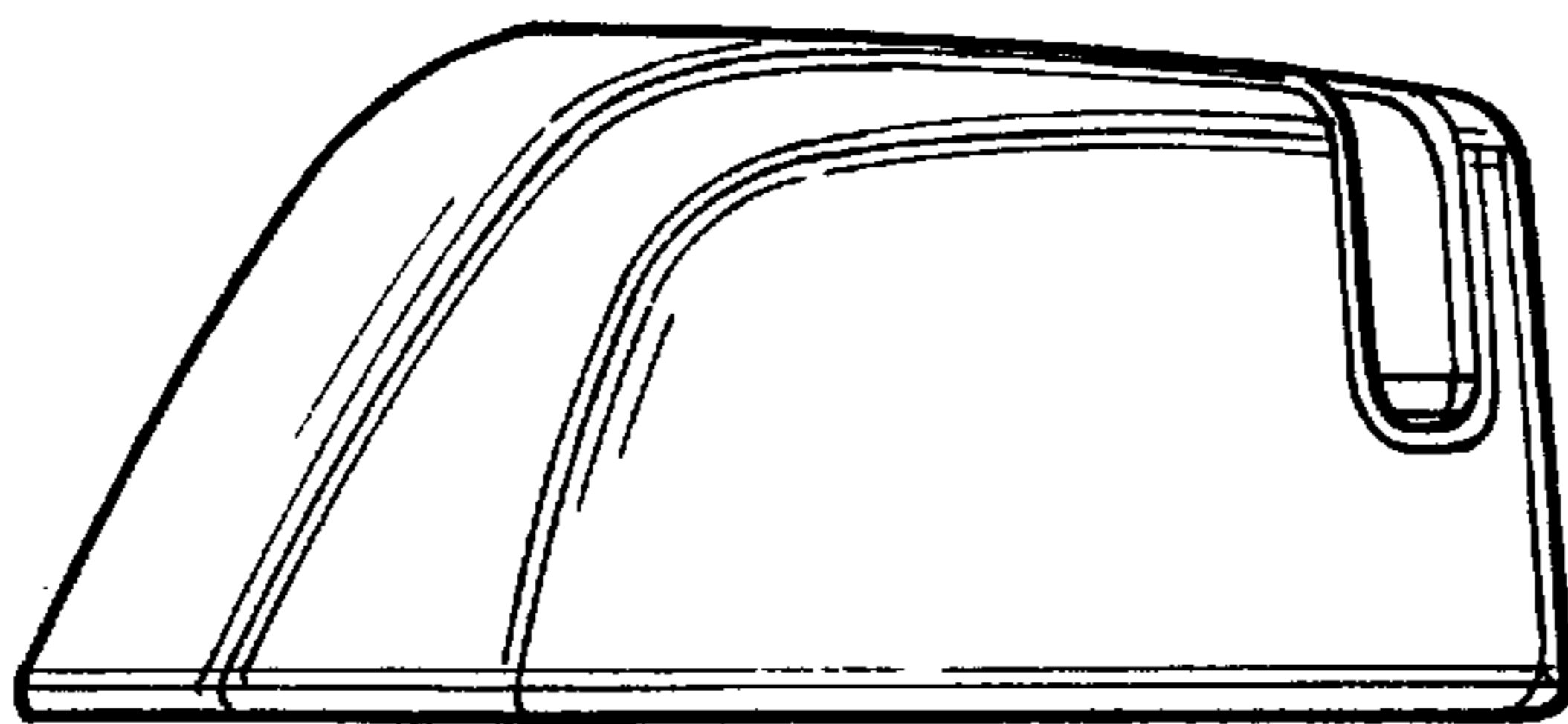


Fig-5

Fig-6

