



US00D399480S

United States Patent [19]

Brungardt et al.

[11] Patent Number: **Des. 399,480**

[45] Date of Patent: ****Oct. 13, 1998**

[54] **HITCH MOUNTABLE BICYCLE CARRIER**

[75] Inventors: **Kervin Brungardt**, Plymouth; **Michael J. Cousino**, Wayne; **David A. Watch**, Canton, all of Mich.

[73] Assignee: **Draw-Tite, Inc.**, Canton, Mich.

[**] Term: **14 Years**

[21] Appl. No.: **77,141**

[22] Filed: **Sep. 18, 1997**

Related U.S. Application Data

[63] Continuation of Ser. No. 61,622, Oct. 28, 1996, abandoned.

[51] **LOC (6) Cl.** **12-16**

[52] **U.S. Cl.** **D12/408**

[58] **Field of Search** D12/408; 224/501-506, 224/536, 537, 924, 917.5

[56] References Cited

U.S. PATENT DOCUMENTS

D. 369,585	5/1996	Gregory	D12/408
3,877,622	4/1975	McLain	224/497
4,072,257	2/1978	Hall	224/324
4,676,413	6/1987	Began et al.	224/532
4,676,414	6/1987	Deguevara	224/927
5,190,195	3/1993	Fullhart et al.	224/497

5,303,857	4/1994	Hewson	224/506
5,330,084	7/1994	Peters	224/506
5,443,189	8/1995	Hirschfeld	224/537
5,449,101	9/1995	Van Dusen	224/506
5,489,110	2/1996	Van Dusen	224/537
5,529,231	6/1996	Burgess	224/502

OTHER PUBLICATIONS

Bike Nashbar, winter, 94-95, p. 73, the Nashbar Rapid Transit 3 Hitch Rack.

Primary Examiner—Melody N. Brown
Attorney, Agent, or Firm—Leon E. Redman; Malcolm L. Sutherland

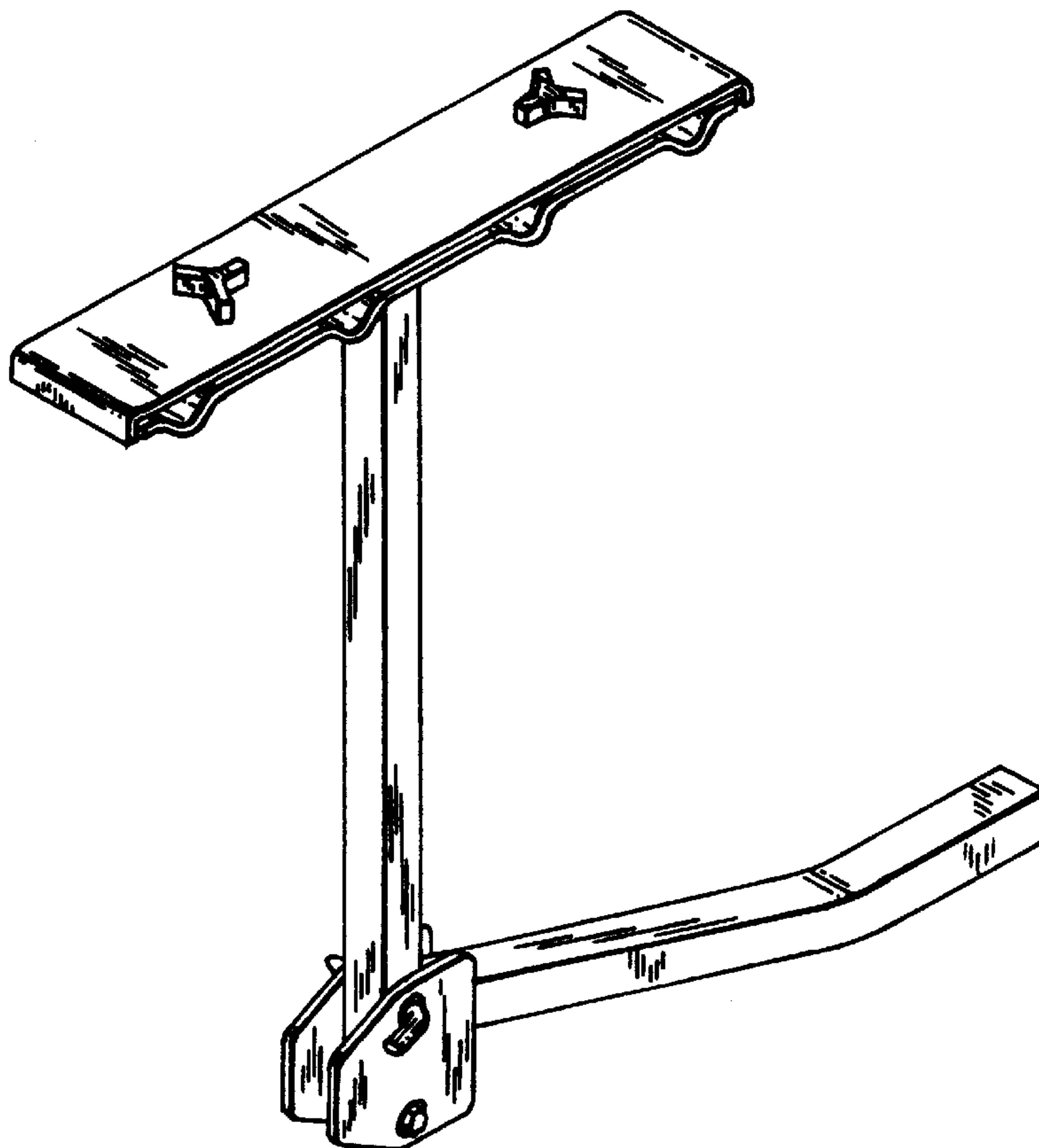
[57] CLAIM

The ornamental design for a hitch mountable bicycle carrier, as shown and described.

DESCRIPTION

FIG. 1 is a perspective view of a hitch mountable bicycle carrier showing our new design; FIG. 2 is a right side elevational view thereof; FIG. 3 is a left side elevational view thereof; FIG. 4 is a top plan view thereof; FIG. 5 is a bottom plan view thereof; FIG. 6 is a rear elevational view thereof; and, FIG. 7 is a front elevational view thereof.

1 Claim, 3 Drawing Sheets



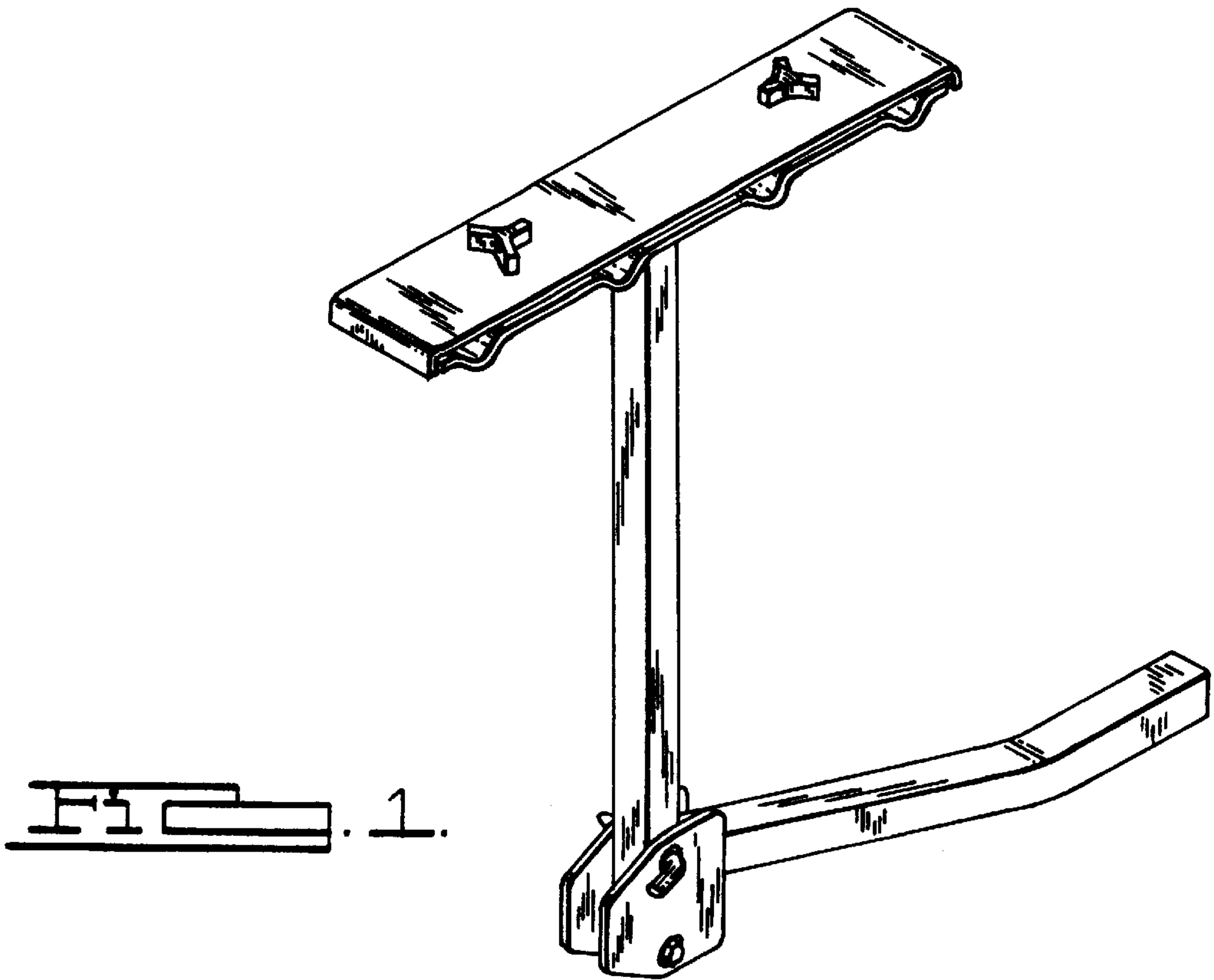


FIG. 1.

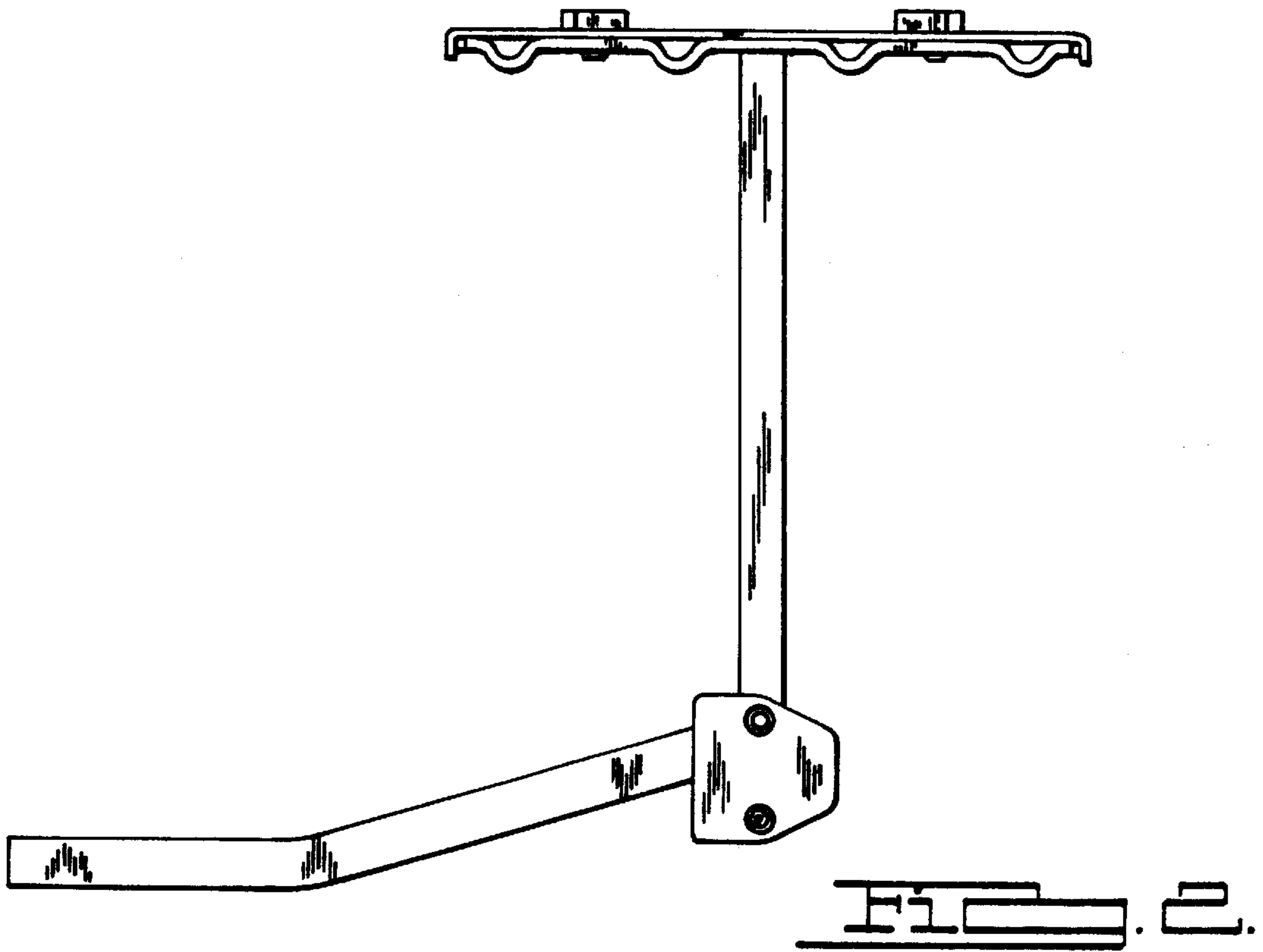


FIG. 2.

