



US00D399478S

United States Patent [19] Strandell

[11] **Patent Number: Des. 399,478**

[45] **Date of Patent: **Oct. 13, 1998**

[54] **BOAT MOTOR MOUNT**

[75] Inventor: **Timothy B. Strandell**, Racine, Wis.

[73] Assignee: **Johnson Worldwide Associates, Inc.**,
Racine, Wis.

[**] Term: **14 Years**

[21] Appl. No.: **78,153**

[22] Filed: **Oct. 20, 1997**

[51] **LOC (6) Cl.** **12-06**

[52] **U.S. Cl.** **D12/317**

[58] **Field of Search** D12/317; 440/57-63;
114/274; 248/642, 641

[56] **References Cited**

U.S. PATENT DOCUMENTS

4,545,770	10/1985	Ferguson	440/61
4,573,930	3/1986	Queen	440/56
4,976,639	12/1990	Rawlings et al.	440/59
5,203,275	4/1993	Brauner et al.	114/274
5,669,794	9/1997	Knight et al.	440/63

OTHER PUBLICATIONS

JWA Marine Ad Planner, Nineteen Ninety-Seven, pp. 13-38
(prior to the application date).

Primary Examiner—Kay H. Chin

Attorney, Agent, or Firm—Foley & Lardner

[57] **CLAIM**

The ornamental design for a boat motor mount, as shown and described.

DESCRIPTION

FIG. 1 is a right side elevational view of the first embodiment of a boat motor mount showing my new design, the left side elevational view being a mirror image thereof;

FIG. 2 is a top plan view thereof;

FIG. 3 is a bottom plan view thereof;

FIG. 4 is a front elevational view thereof;

FIG. 5 is a rear elevational view thereof;

FIG. 6 is a right side elevational view of a second embodiment of the boat motor mount, the left side elevational view being a mirror image thereof;

FIG. 7 is a top plan view of FIG. 6;

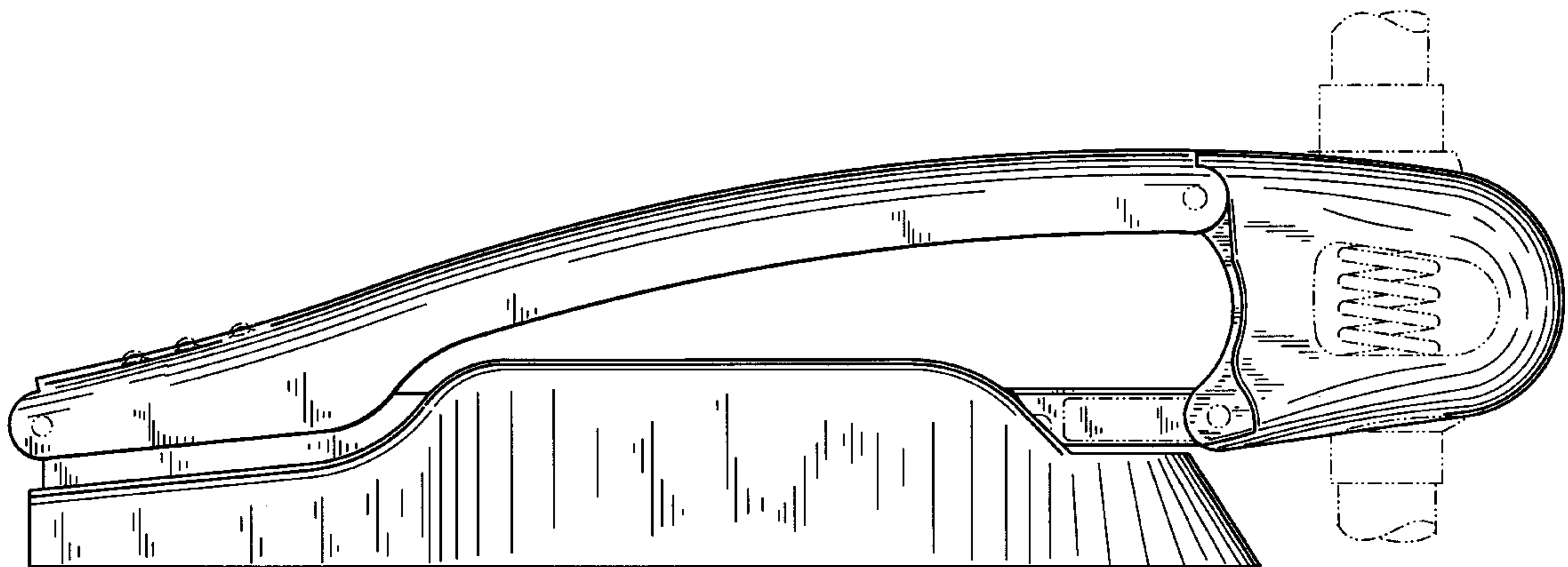
FIG. 8 is a bottom plan view of FIG. 6;

FIG. 9 is a front elevational view of FIG. 6; and,

FIG. 10 is a rear elevational view of FIG. 6.

The broken lines are for illustrative purposes only and form no part of the claimed design.

1 Claim, 4 Drawing Sheets



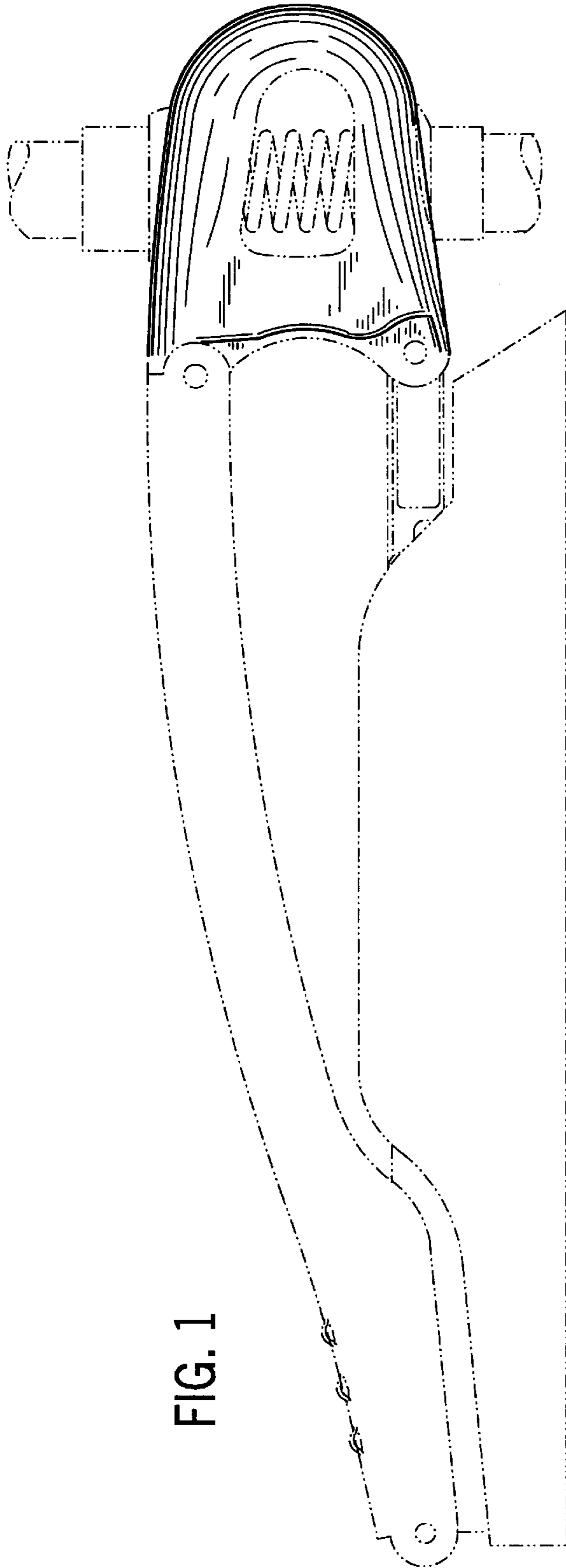


FIG. 1

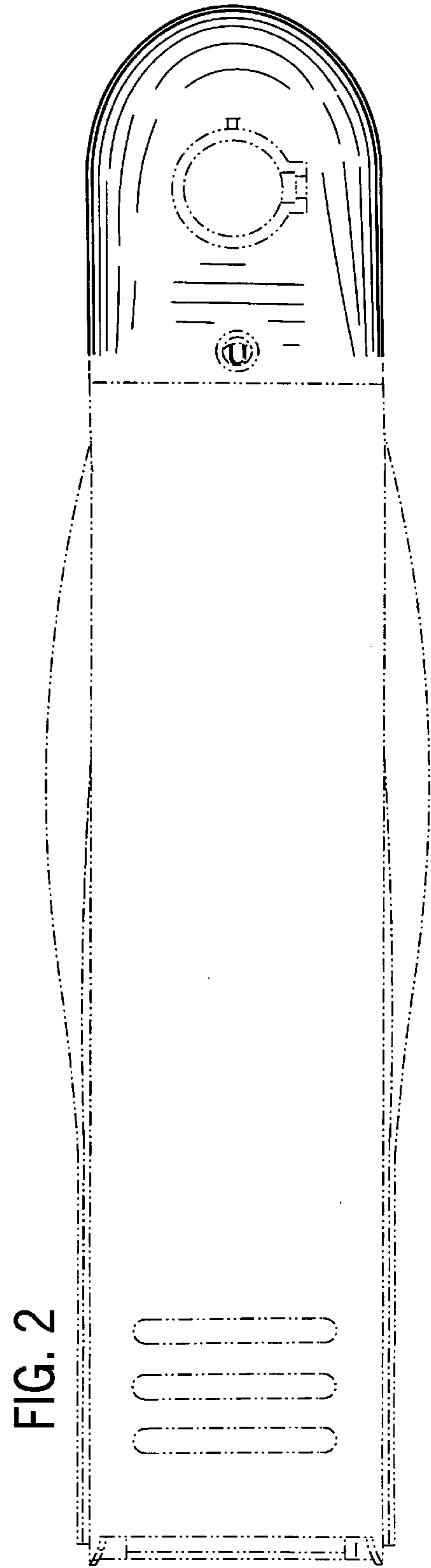


FIG. 2

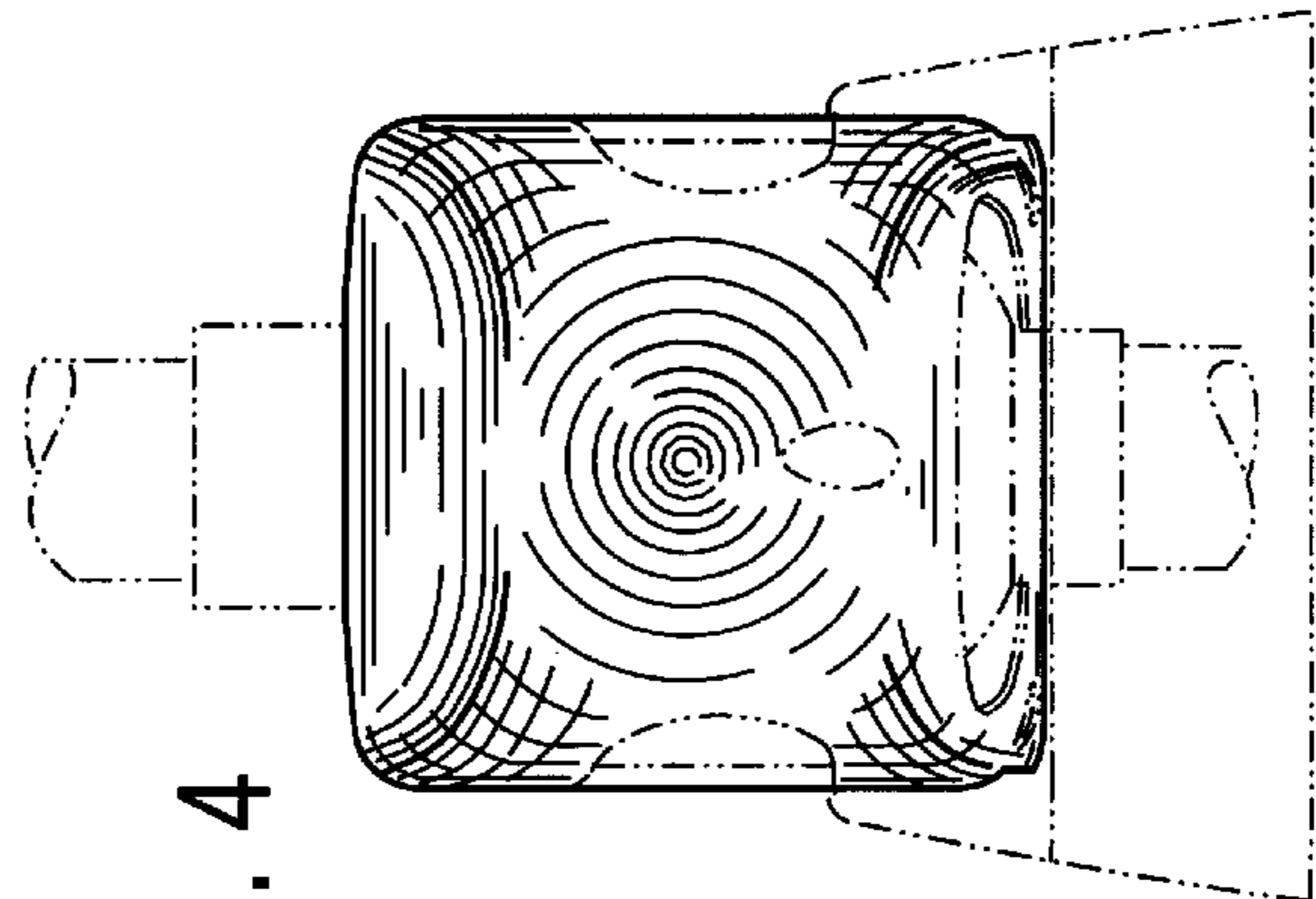
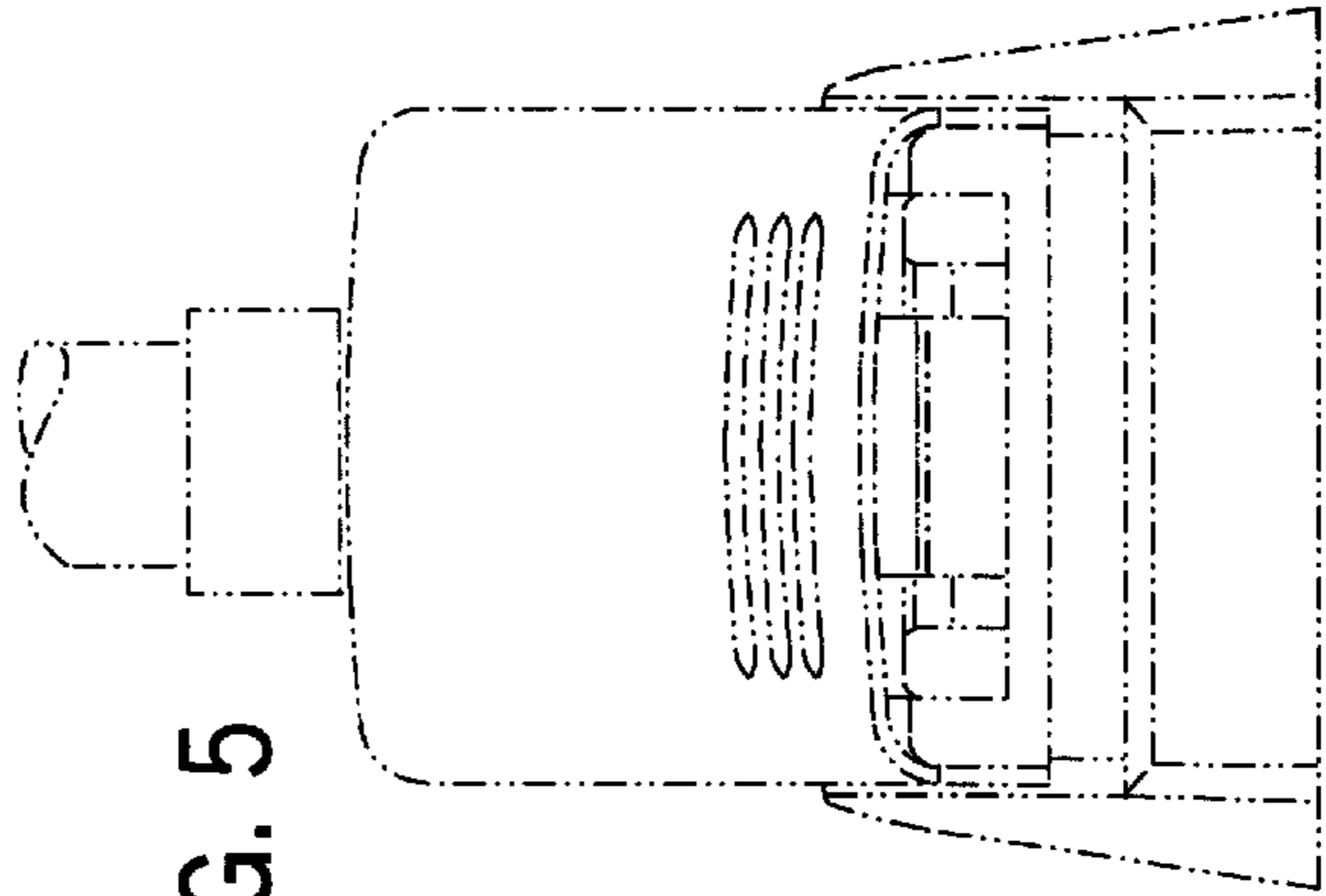
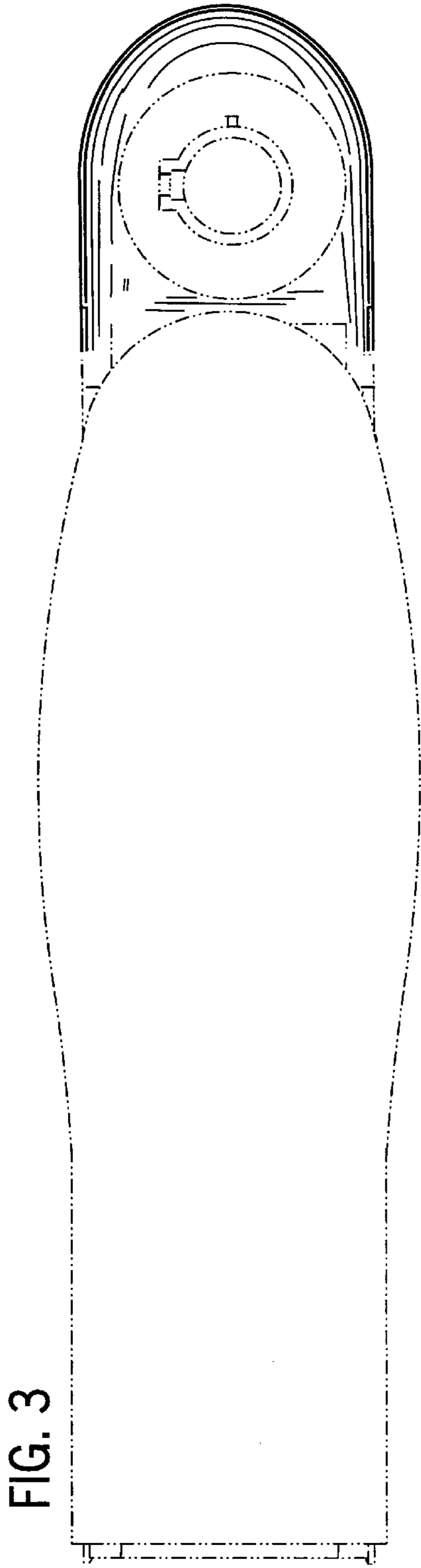


FIG. 3

FIG. 5

FIG. 4

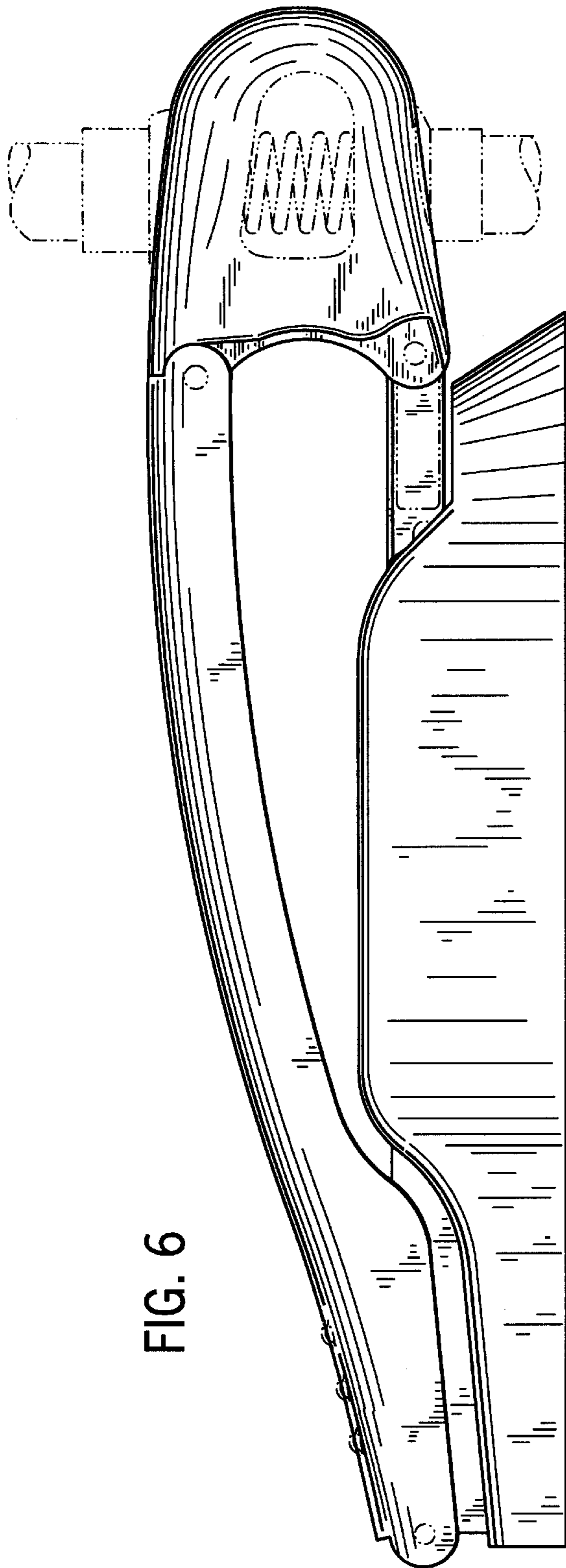


FIG. 6

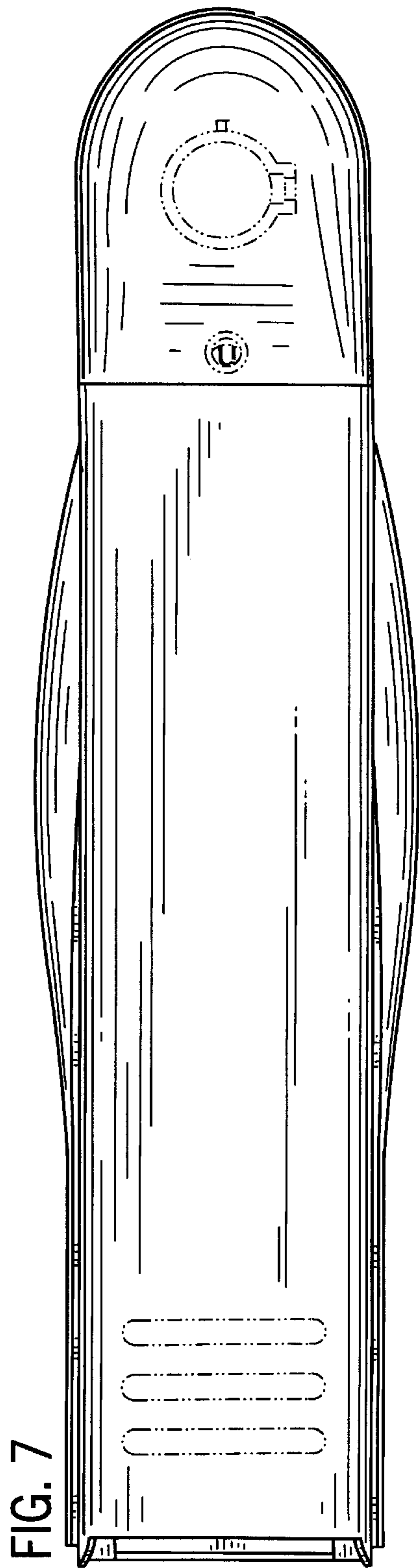


FIG. 7

FIG. 8

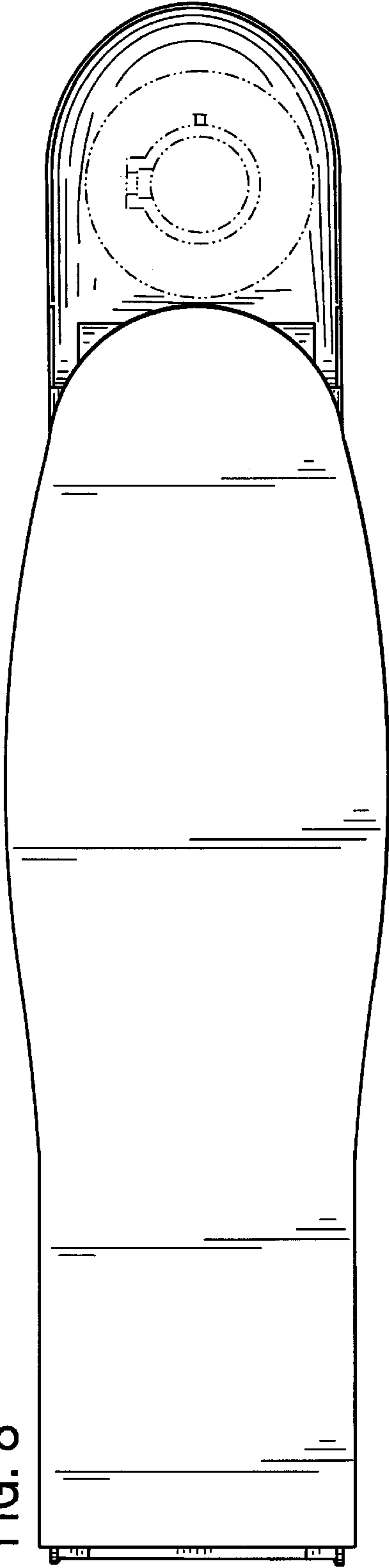


FIG. 9

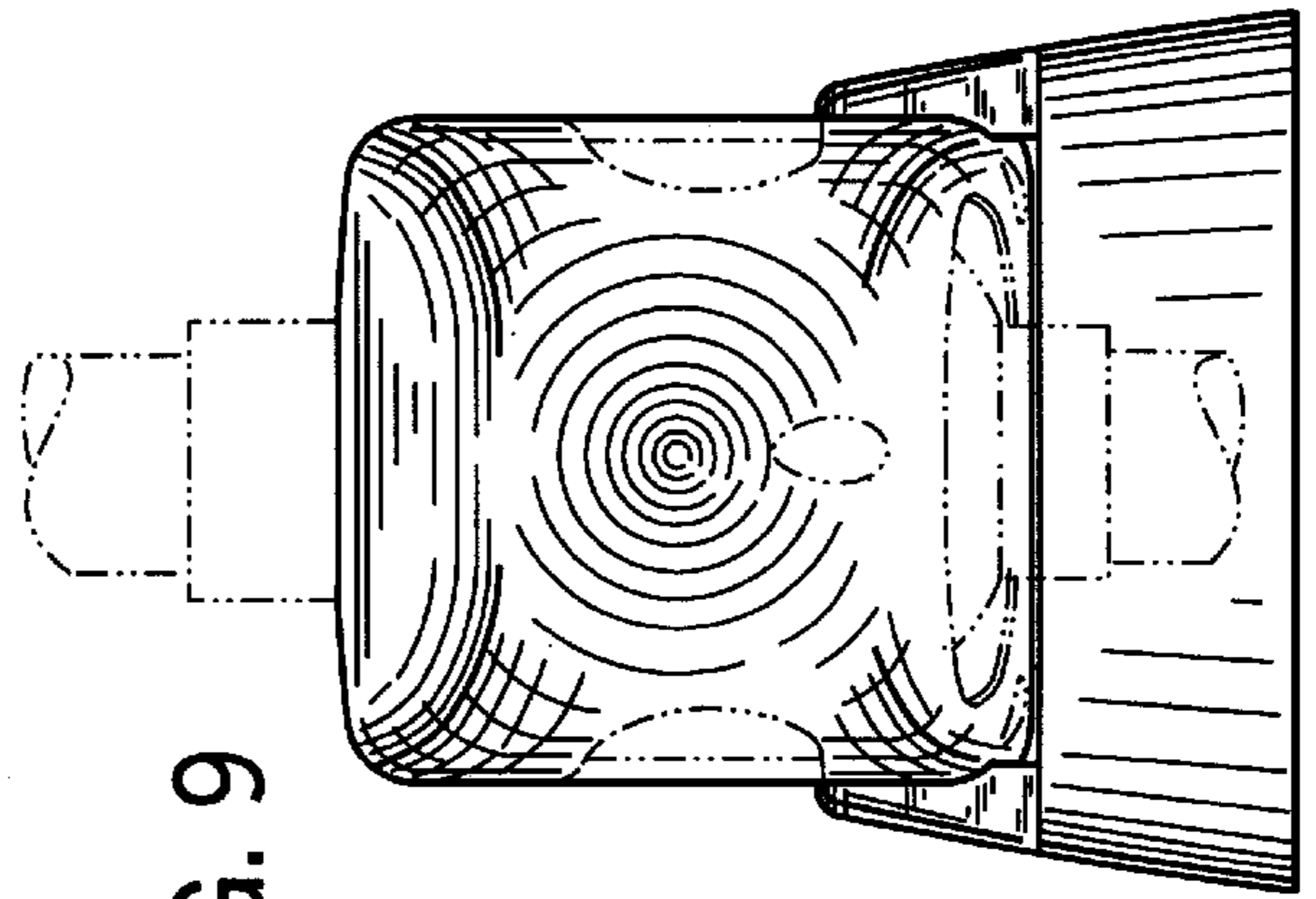


FIG. 10

