



US00D399476S

United States Patent [19] Duncan

[11] **Patent Number: Des. 399,476**

[45] **Date of Patent: **Oct. 13, 1998**

[54] **MULTI-USE ROLL BAR**

[76] Inventor: **Malcolm Duncan**, Box 400, Marisburg
1700, South Africa

[**] Term: **14 Years**

[21] Appl. No.: **61,907**

[22] Filed: **Nov. 1, 1996**

[30] Foreign Application Priority Data

Jun. 6, 1996 [ZA] South Africa 960509

[51] **LOC (6) Cl.** **12-06**

[52] **U.S. Cl.** **D12/222; D12/14**

[58] **Field of Search** D12/14, 98, 167,
D12/190, 222; D34/33, 34; 105/163.1;
212/180, 294, 295; 280/748, 762, 770;
296/1.1, 95.1, 97.4; 414/543, 560

[56] References Cited

U.S. PATENT DOCUMENTS

D. 340,792	10/1993	Lacey	D34/33
890,151	6/1908	Marshall	414/543
2,446,488	8/1948	Pierce	414/543
3,019,918	2/1962	Keener	414/543
3,215,294	11/1965	Salamin	.	
3,802,720	4/1974	Ellis	.	
3,804,263	4/1974	Castonguay	.	
3,899,089	8/1975	Wardlaw	414/543
3,952,893	4/1976	Kolesar	.	
4,034,879	7/1977	Cudmore	.	
4,139,110	2/1979	Roberts	.	
4,383,791	5/1983	King	.	
4,556,358	12/1985	Harlan	.	
5,000,480	3/1991	Straka et al.	280/748
5,014,863	5/1991	Vlaanden	.	

5,393,194 2/1995 Smith .
5,431,526 7/1995 Peterson et al. .

FOREIGN PATENT DOCUMENTS

V10642 6/1995 South Africa .
V10785 8/1995 South Africa .

OTHER PUBLICATIONS

“Marlim Rollbar Crane” Sales literature, no date given.

Primary Examiner—Robert M. Spear
Attorney, Agent, or Firm—George Pappas

[57] CLAIM

The ornamental design for a multi-use roll bar, as shown and described.

DESCRIPTION

FIG. 1 is a rear perspective view of a multi-use roll bar according to the present invention;

FIG. 2 is a left side elevation view of the multi-use roll bar shown in FIG. 1, the right side view being a mirror image thereof;

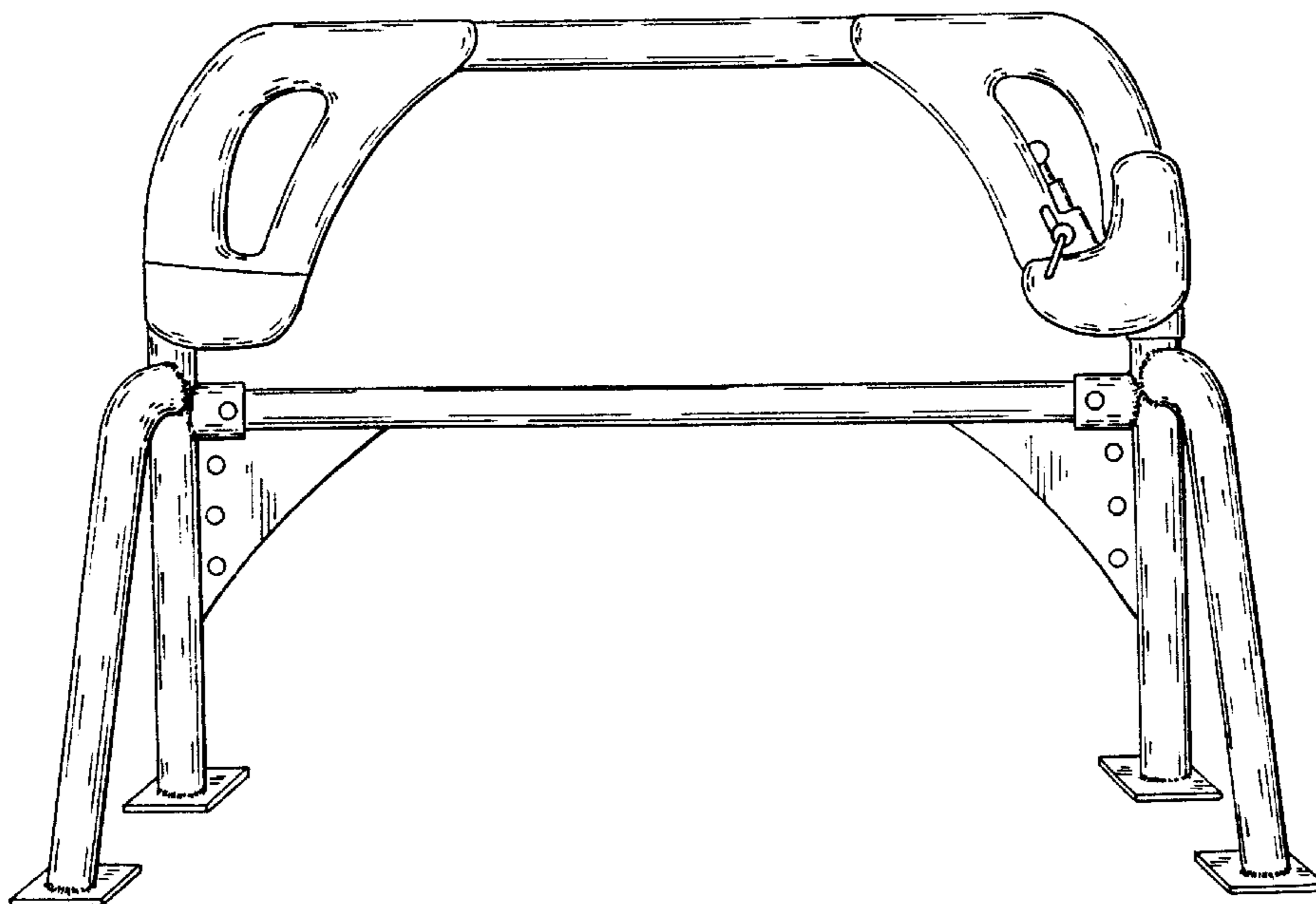
FIG. 3 is a left side elevation view of a second embodiment of the multi-use roll bar according to the present invention, the right side view being a mirror image thereof and the front, rear and top views being substantially the same as shown in FIGS. 1, 4 and 5 respectively;

FIG. 4 is a front elevation view of the multi-use roll bar shown in FIG. 1; and,

FIG. 5 is a top plan view of the multi-use roll bar shown in FIG. 1 and shown at a reduced scale.

The broken line showing of a vehicle is for illustrative purposes only and forms no part of the claimed design.

1 Claim, 5 Drawing Sheets



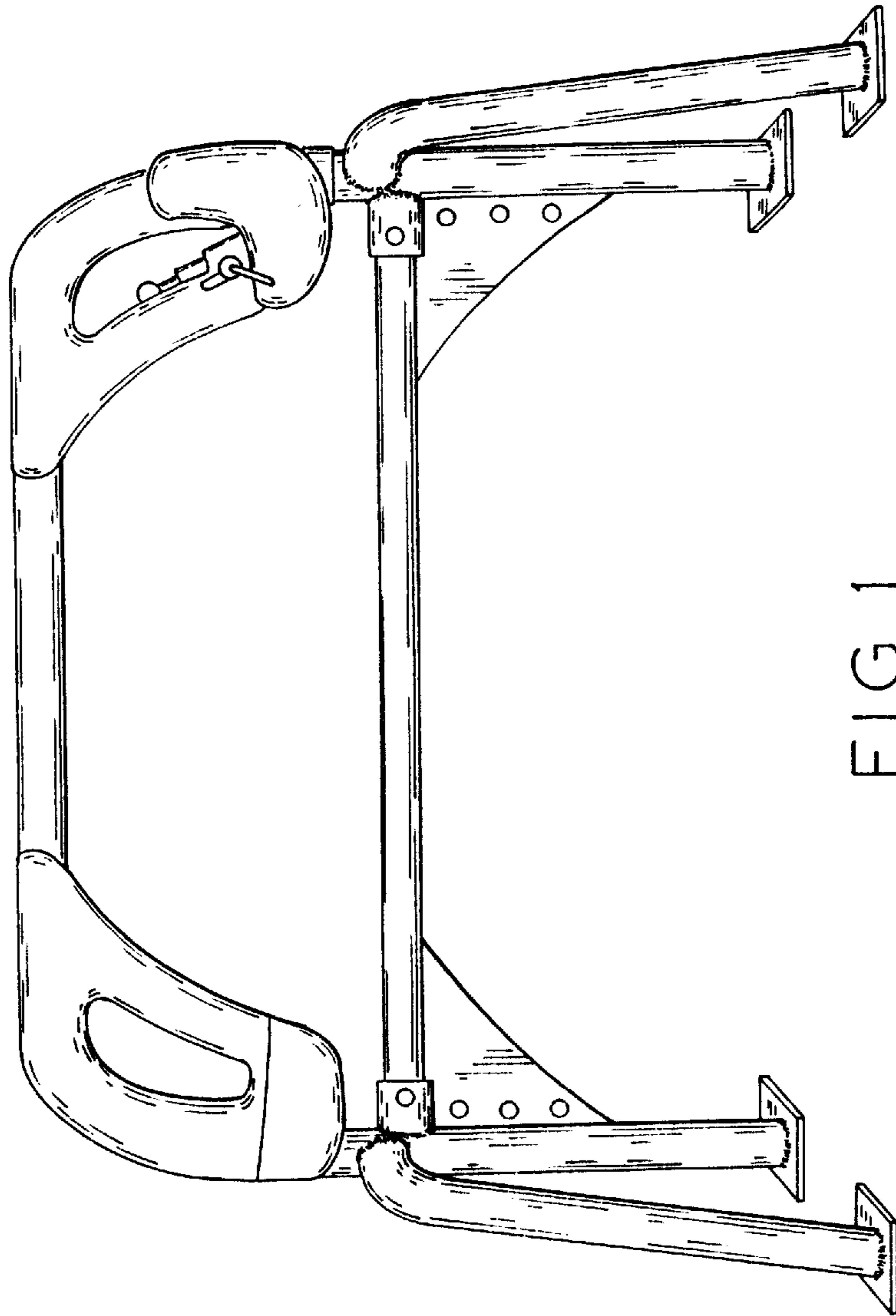


FIG. 1

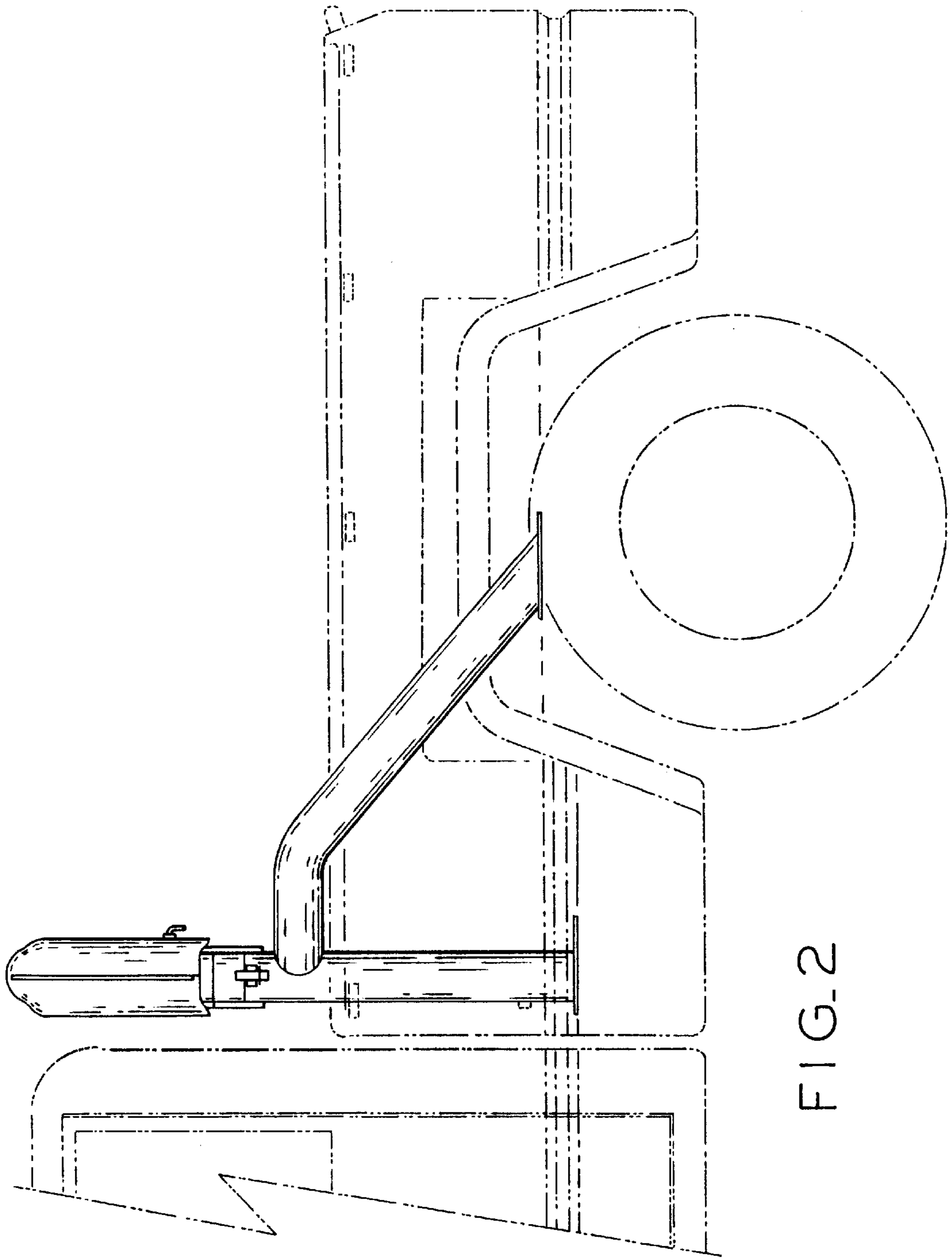


FIG. 2

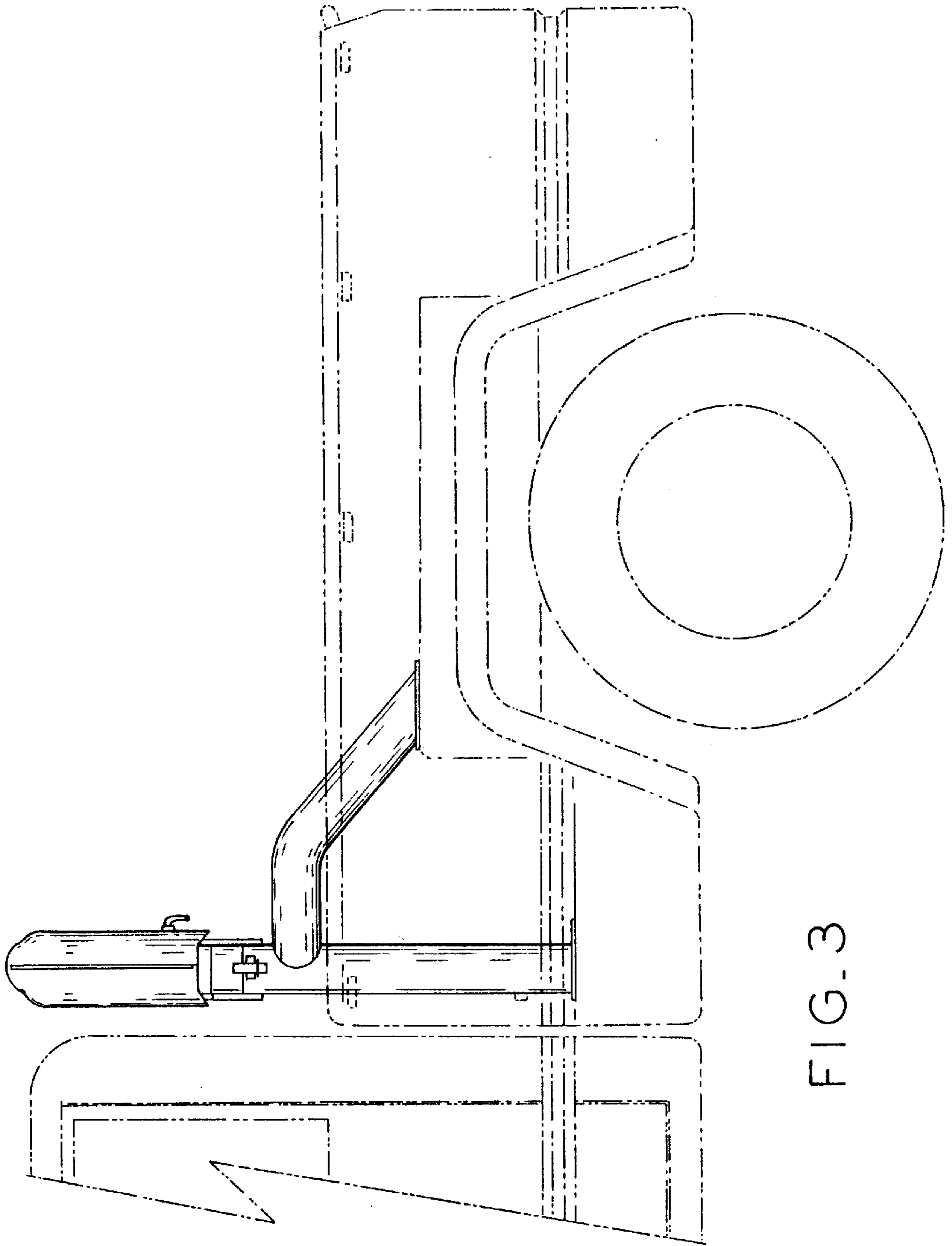


FIG. 3

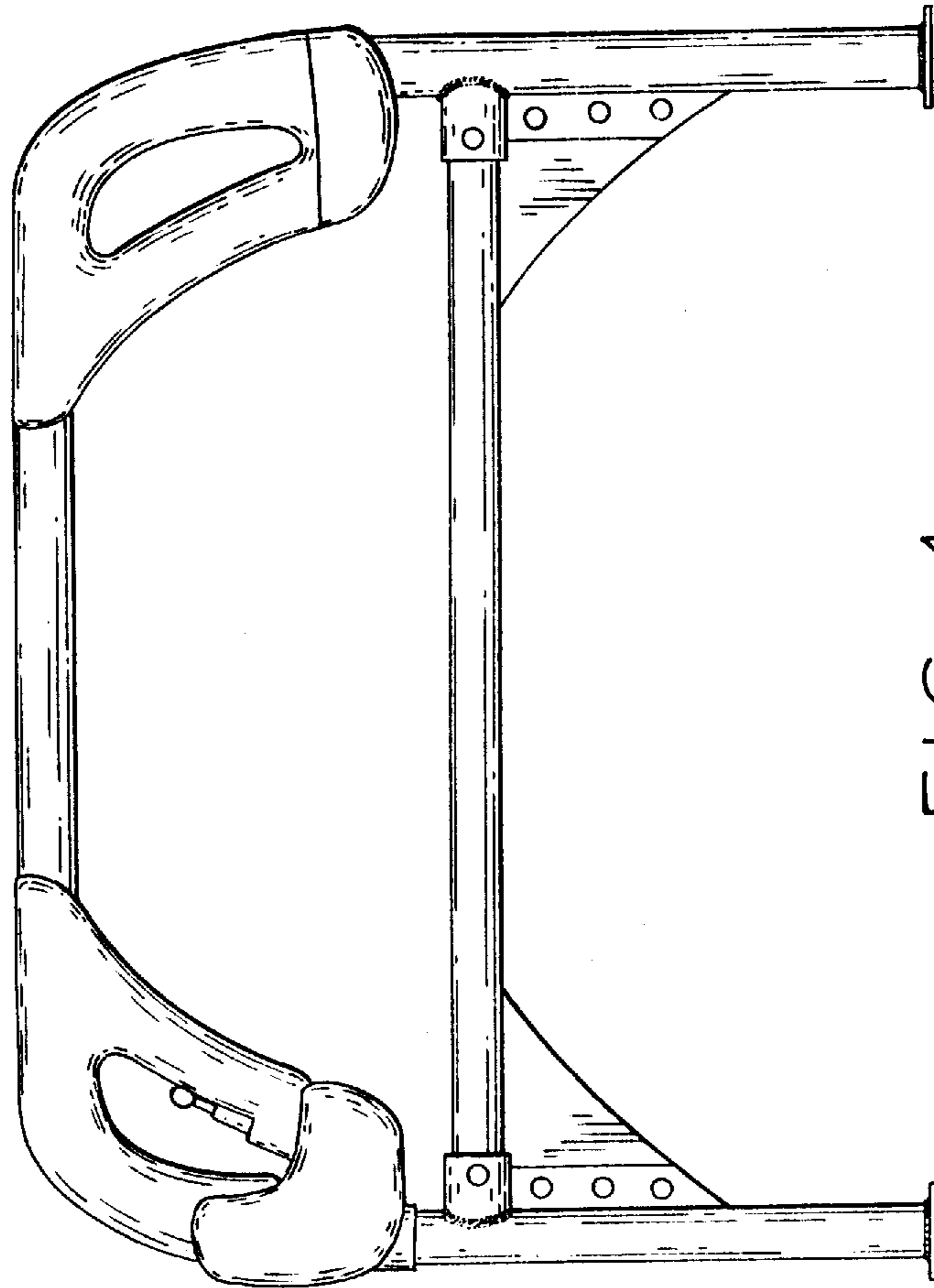


FIG. 4

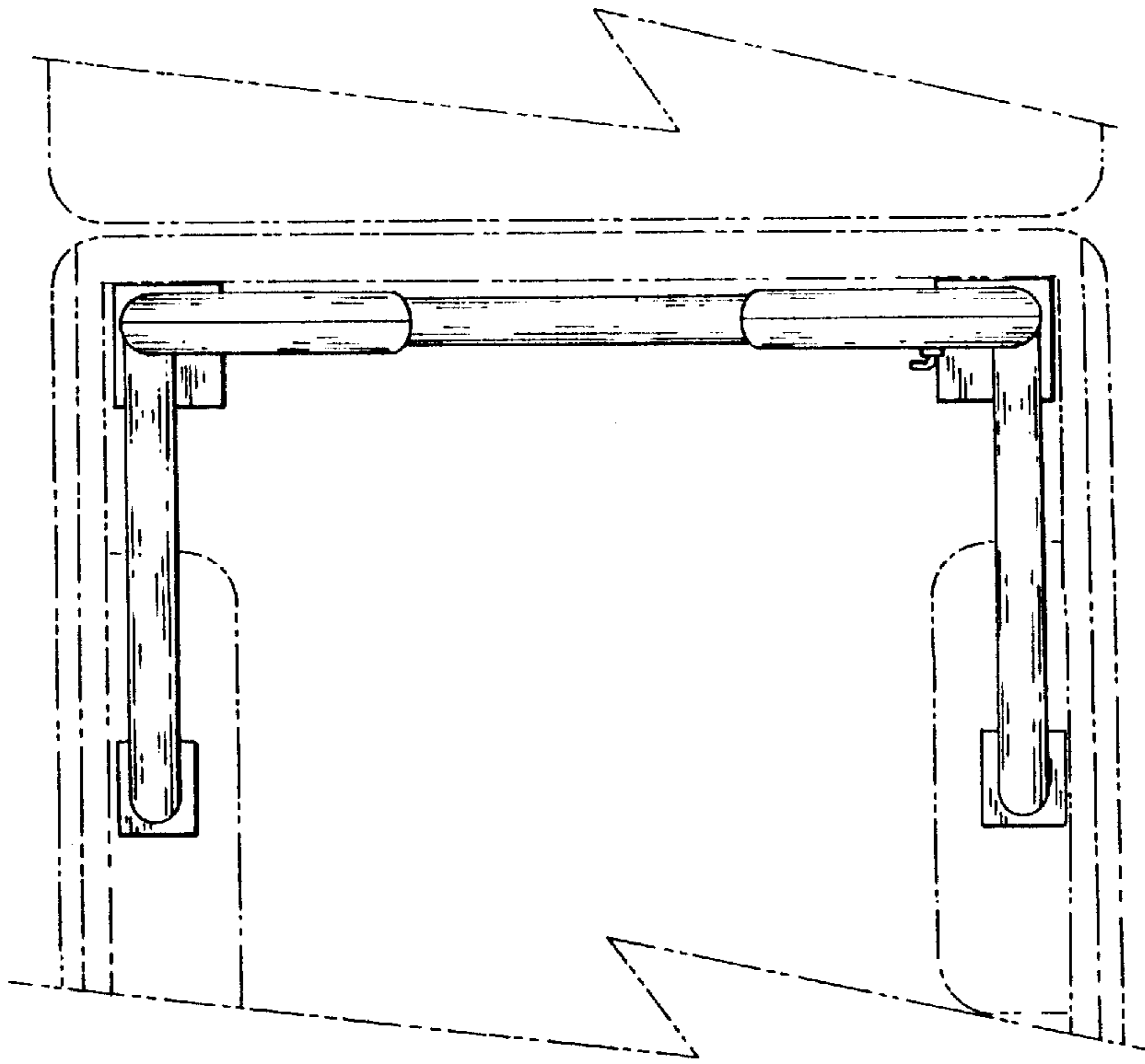


FIG. 5