



US00D399470S

United States Patent [19]

Sacco et al.

[11] Patent Number: **Des. 399,470**

[45] Date of Patent: ****Oct. 13, 1998**

[54] **FRONT FACE OF A VEHICLE WHEEL**

[75] Inventors: **Bruno Sacco**, Sindelfingen; **Peter Pfeiffer**, Boblingen, both of Germany

[73] Assignee: **Daimler-Benz AG**, Stuttgart, Germany

[**] Term: **14 Years**

[21] Appl. No.: **74,560**

[22] Filed: **Aug. 7, 1997**

[30] Foreign Application Priority Data

Feb. 7, 1997 [DE] Germany M9701190.8

[51] **LOC (6) Cl.** **12-16**

[52] **U.S. Cl.** **D12/209**

[58] **Field of Search** D12/204-213;
301/64.1, 65, 37.1

[56] References Cited

U.S. PATENT DOCUMENTS

- D. 267,488 1/1983 Hayashi D12/211
- D. 360,610 7/1995 Bernoni D12/211
- D. 367,031 2/1996 Hubbach D12/209
- D. 367,635 3/1996 Odette D12/209

- D. 371,533 7/1996 Castiglione D12/209
- D. 375,073 10/1996 Theiss D12/209
- D. 375,074 10/1996 Sacco et al. D12/209
- D. 377,471 1/1997 Stach D12/209
- D. 379,612 6/1997 Honarkhah D12/209
- D. 384,320 9/1997 Bhambra D12/209

Primary Examiner—James Gandy
Assistant Examiner—Stacia Sinuik
Attorney, Agent, or Firm—Evenson McKeown Edwards & Lenahan, PLLC

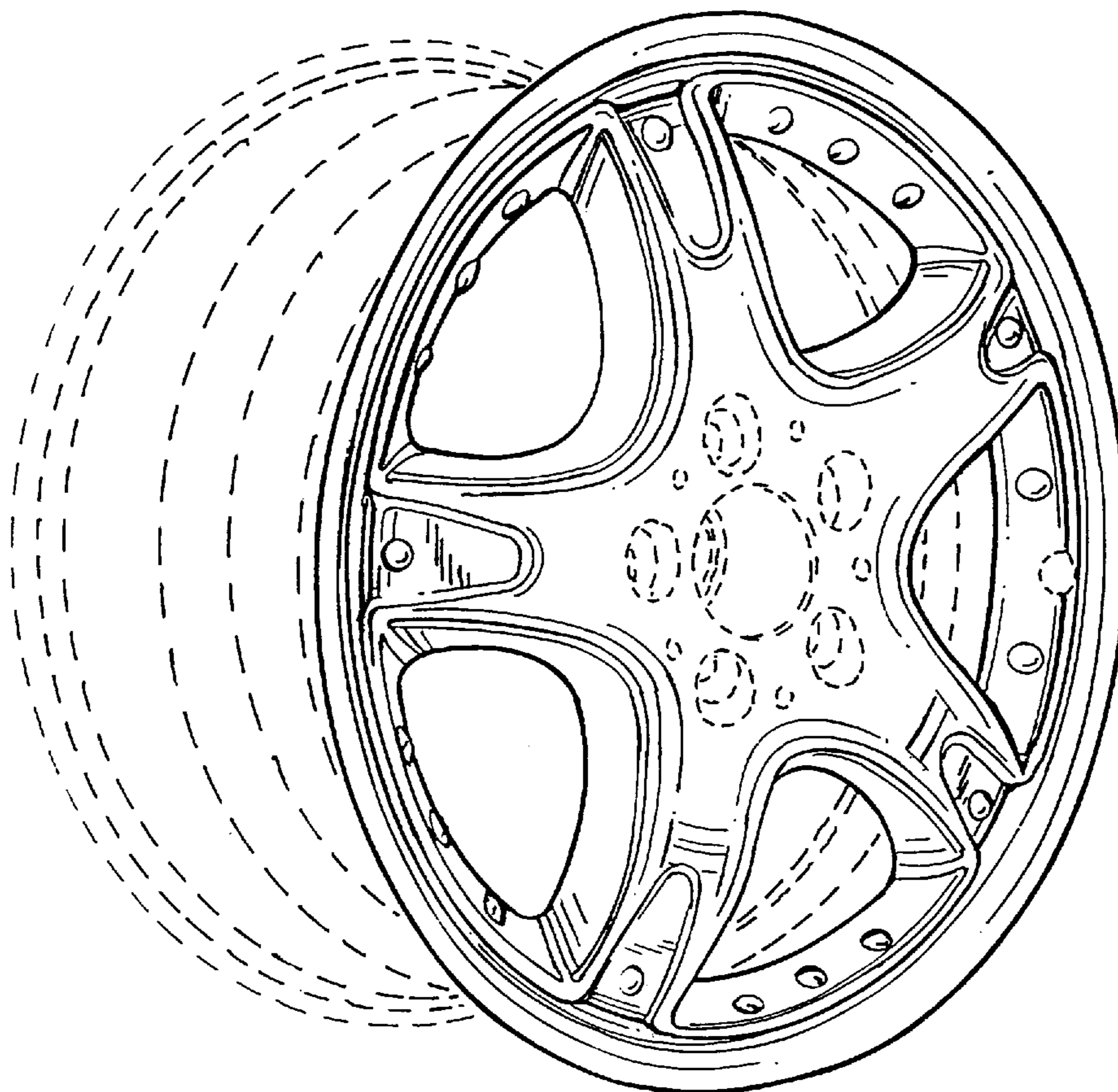
[57] CLAIM

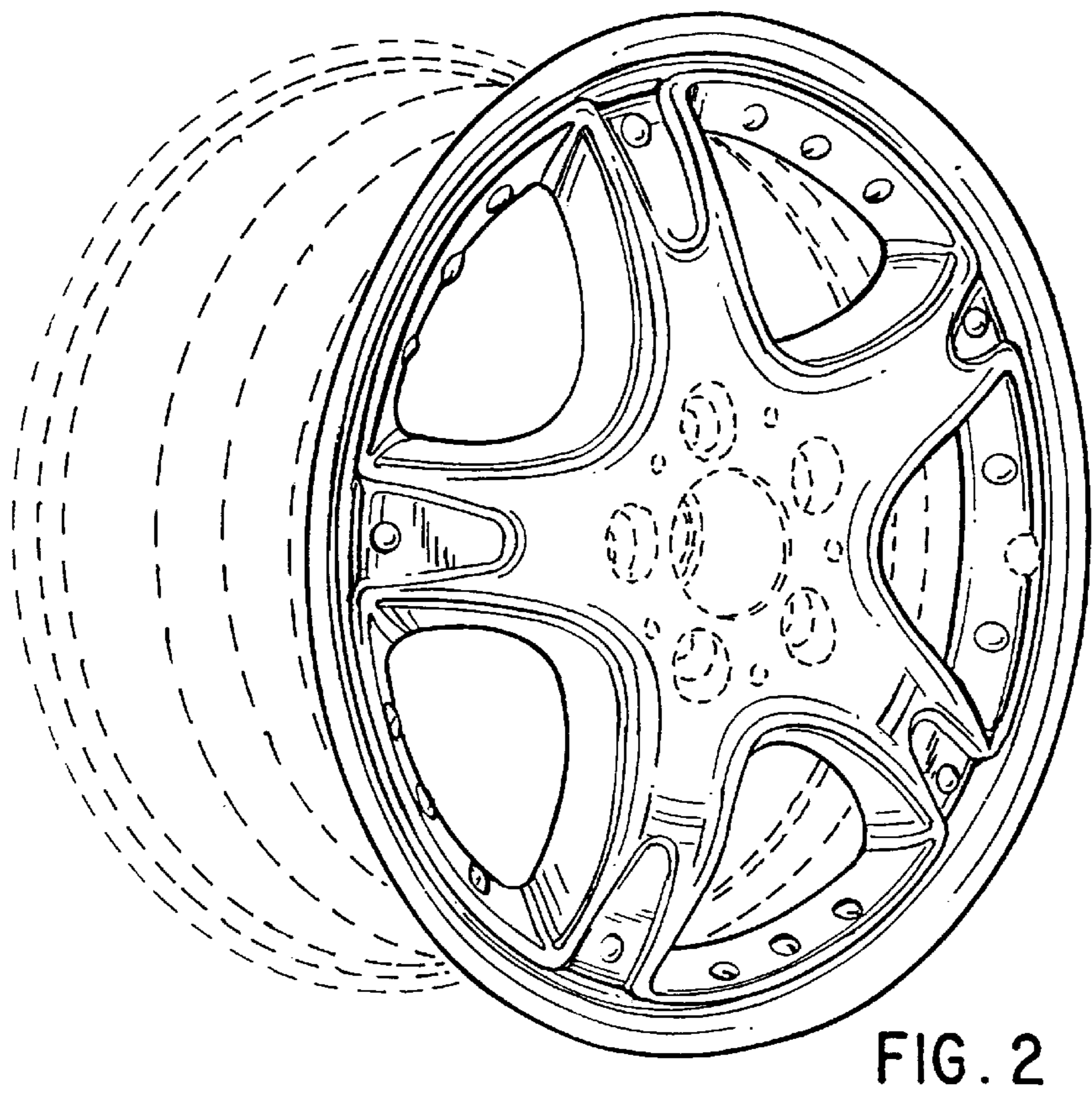
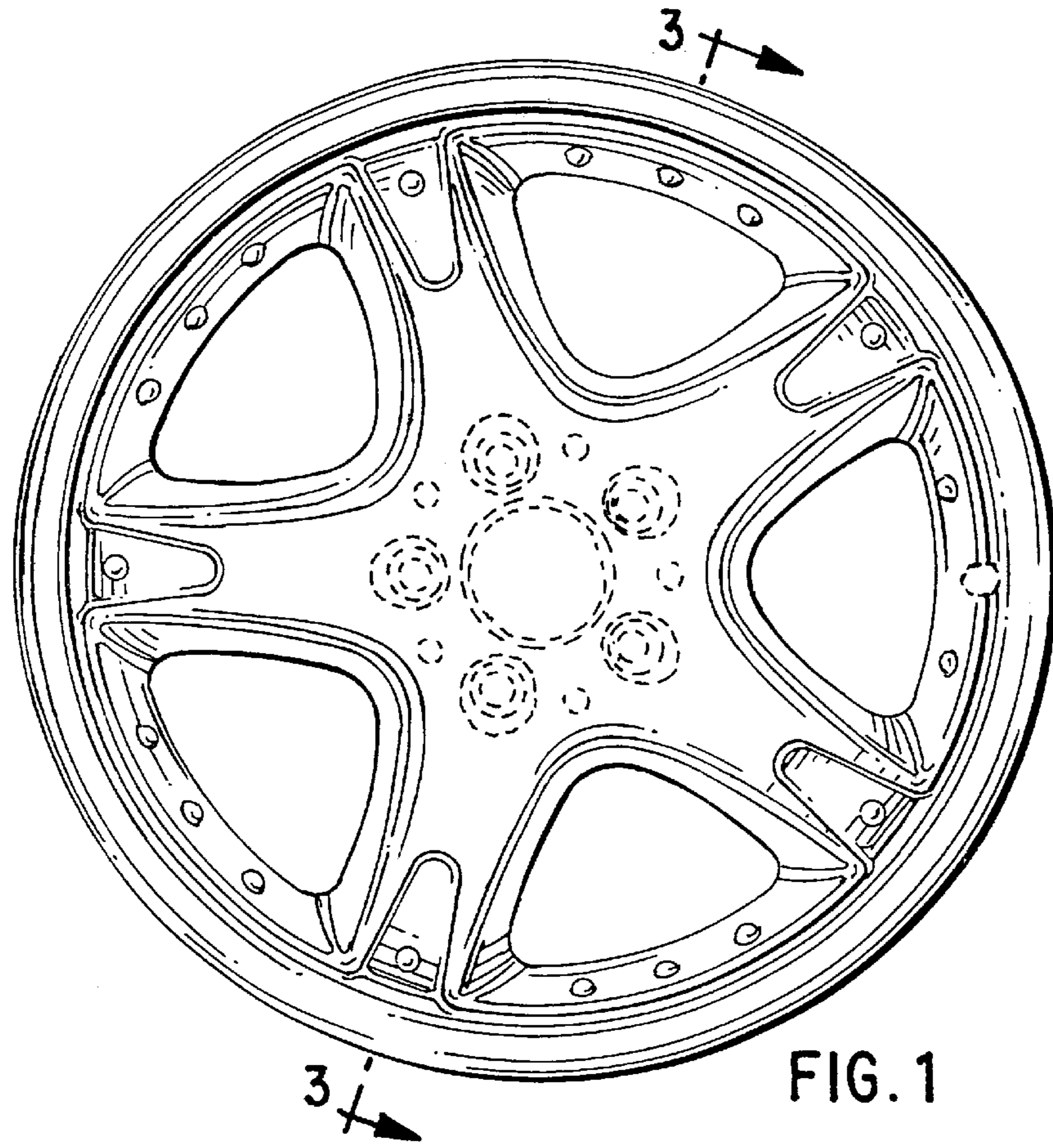
The ornamental design for a front face of a vehicle wheel, as shown and described.

DESCRIPTION

FIG. 1 is a front view of a front face of a vehicle wheel according to our novel design;
FIG. 2 is a perspective view of the front face of a vehicle wheel; and,
FIG. 3 is a sectional view taken along line 3—3 of FIG. 1, which is a front view of a front face of a vehicle wheel according to our novel design;
Features shown in dash lines depict the environment and do not form part of the claimed design.

1 Claim, 2 Drawing Sheets





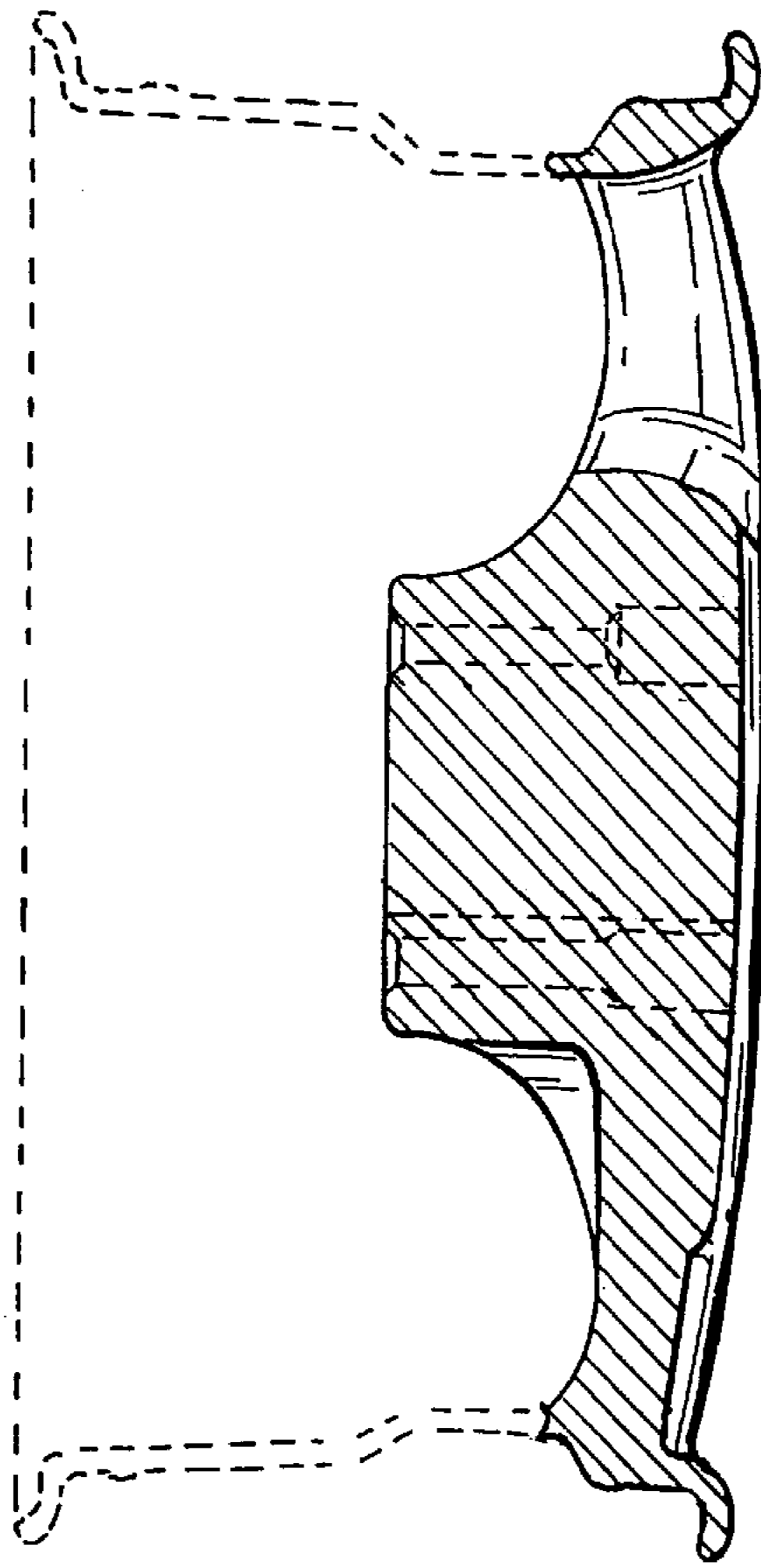


FIG. 3