



US00D399469S

# United States Patent [19] Miansian

[11] Patent Number: **Des. 399,469**

[45] Date of Patent: **\*\*Oct. 13, 1998**

[54] **WHEEL**

[76] Inventor: **James K. Miansian**, 21851 Rushford Dr., Lake Forest, Calif. 92630

[\*\*] Term: **14 Years**

[21] Appl. No.: **71,227**

[22] Filed: **May 23, 1997**

[51] **LOC (6) Cl.** ..... **12-16**

[52] **U.S. Cl.** ..... **D12/209**

[58] **Field of Search** ..... D12/204-213;  
301/64.1, 65, 37.1

D. 302,003	7/1989	McKeon	.....	D12/211
D. 337,562	7/1993	Hareide	.....	D12/209
D. 364,844	12/1995	Chien	.....	D12/209
D. 366,641	1/1996	Neeper	.....	D12/209
D. 372,696	8/1996	Tung	.....	D12/209

### OTHER PUBLICATIONS

Ultra Custom Wheel Catalog 1997, See "Type 47" and Type 340-341, Aug. 1996.

*Primary Examiner*—James Gandy  
*Assistant Examiner*—Stacia Sinuik

### [57] CLAIM

The ornamental design for a wheel, as shown.

### DESCRIPTION

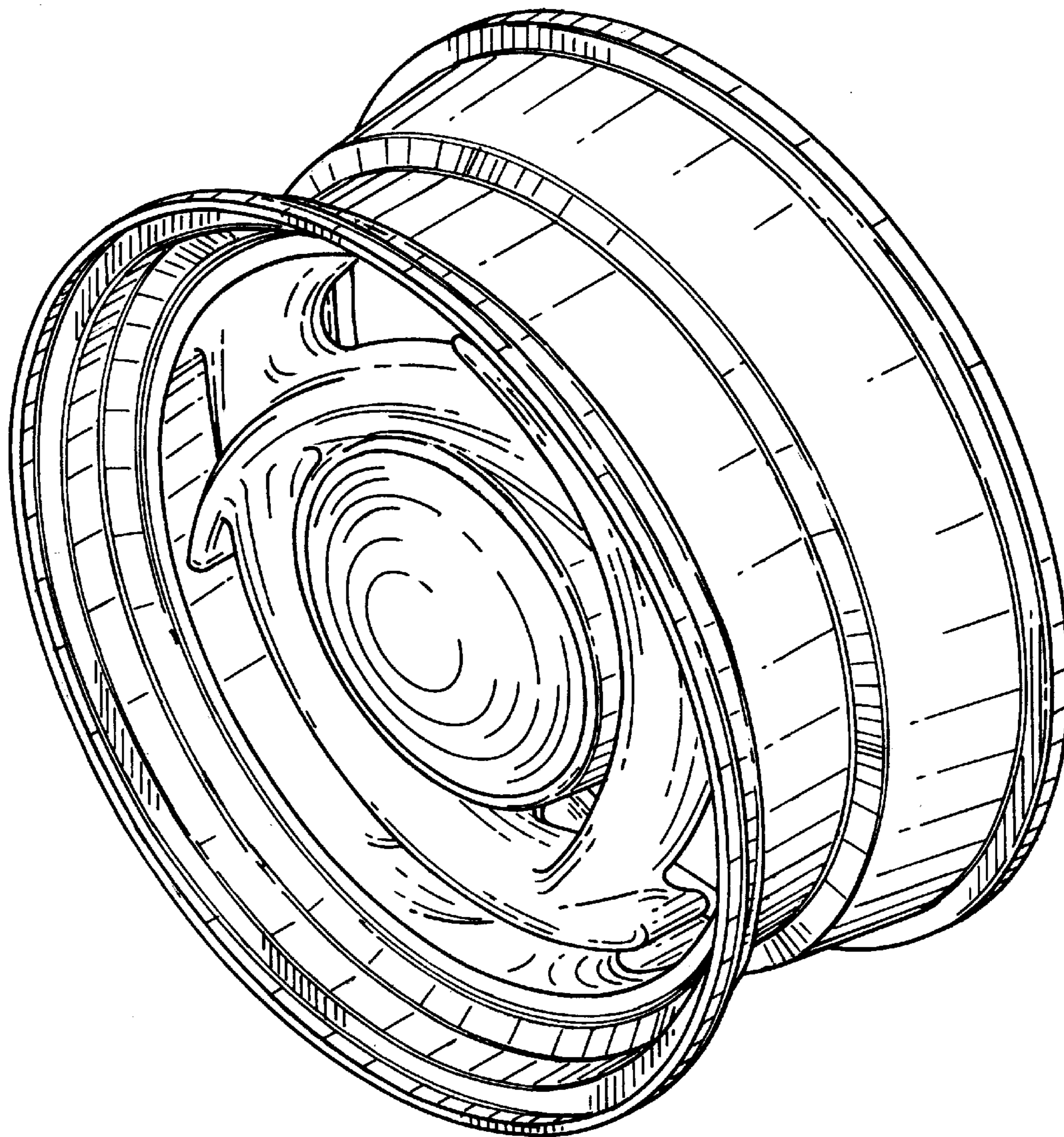
FIG. 1 is a perspective view of a wheel, showing my new design;  
FIG. 2 is a front view thereof; and,  
FIG. 3 is a side view thereof.

**1 Claim, 3 Drawing Sheets**

### [56] References Cited

#### U.S. PATENT DOCUMENTS

D. 225,989	1/1973	Chadwick	.....	D12/209
D. 276,717	12/1984	Ogishima et al.	.....	D12/211
D. 299,918	2/1989	Envall et al.	.....	D12/209
D. 300,422	3/1989	Schinella	.....	D12/209
D. 300,818	4/1989	Reid	.....	D12/211



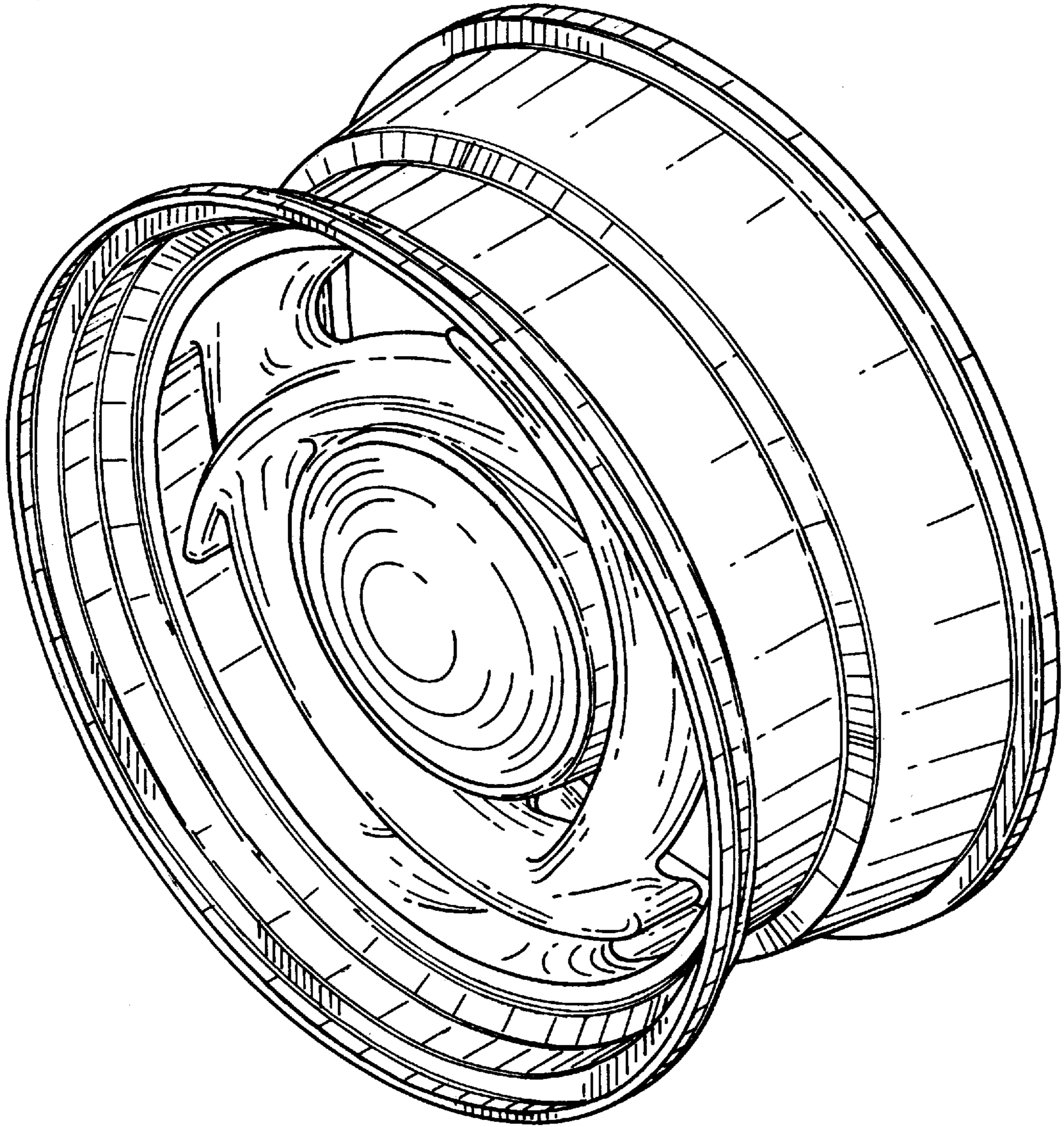


FIG. 1

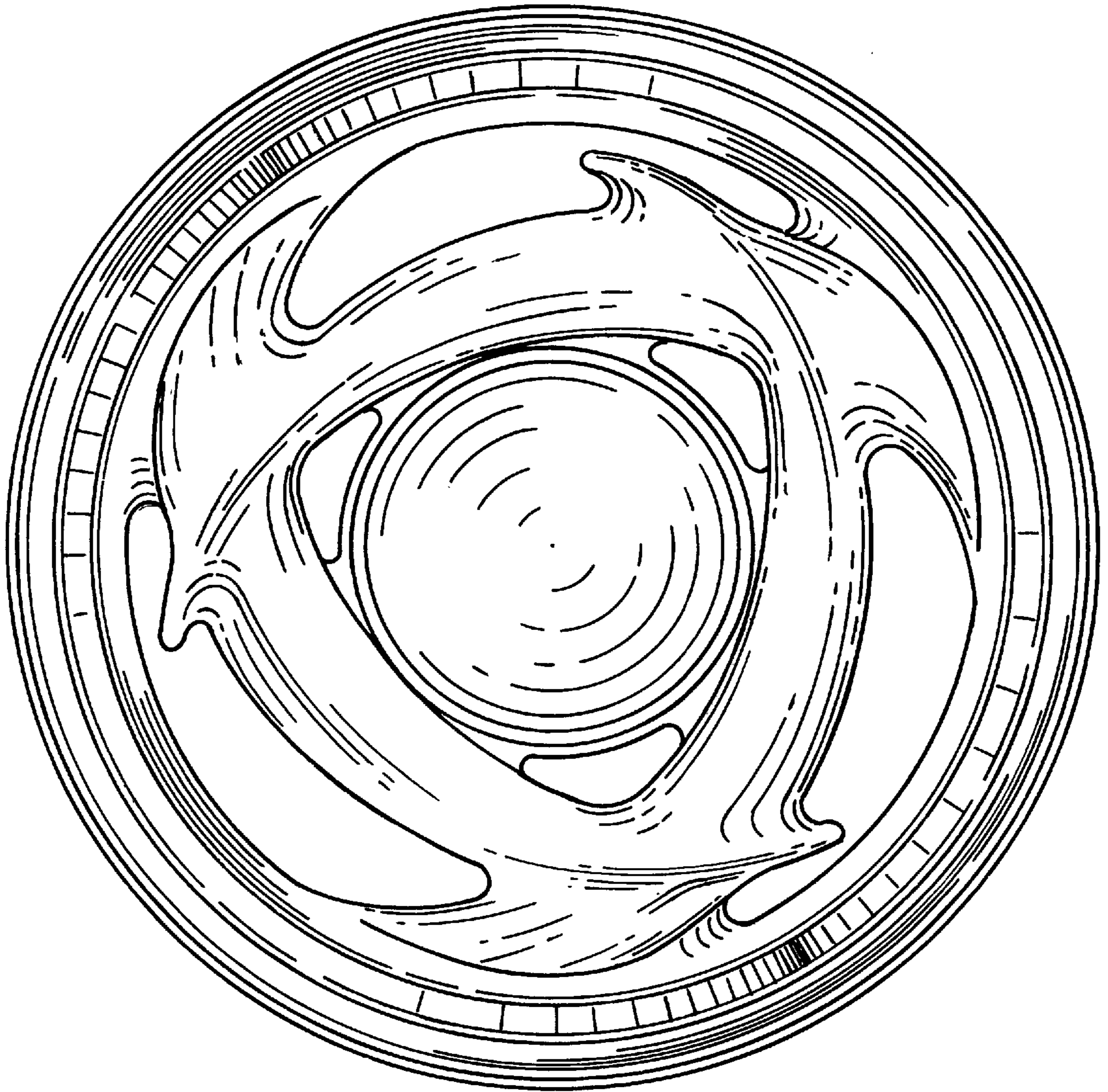


FIG. 2

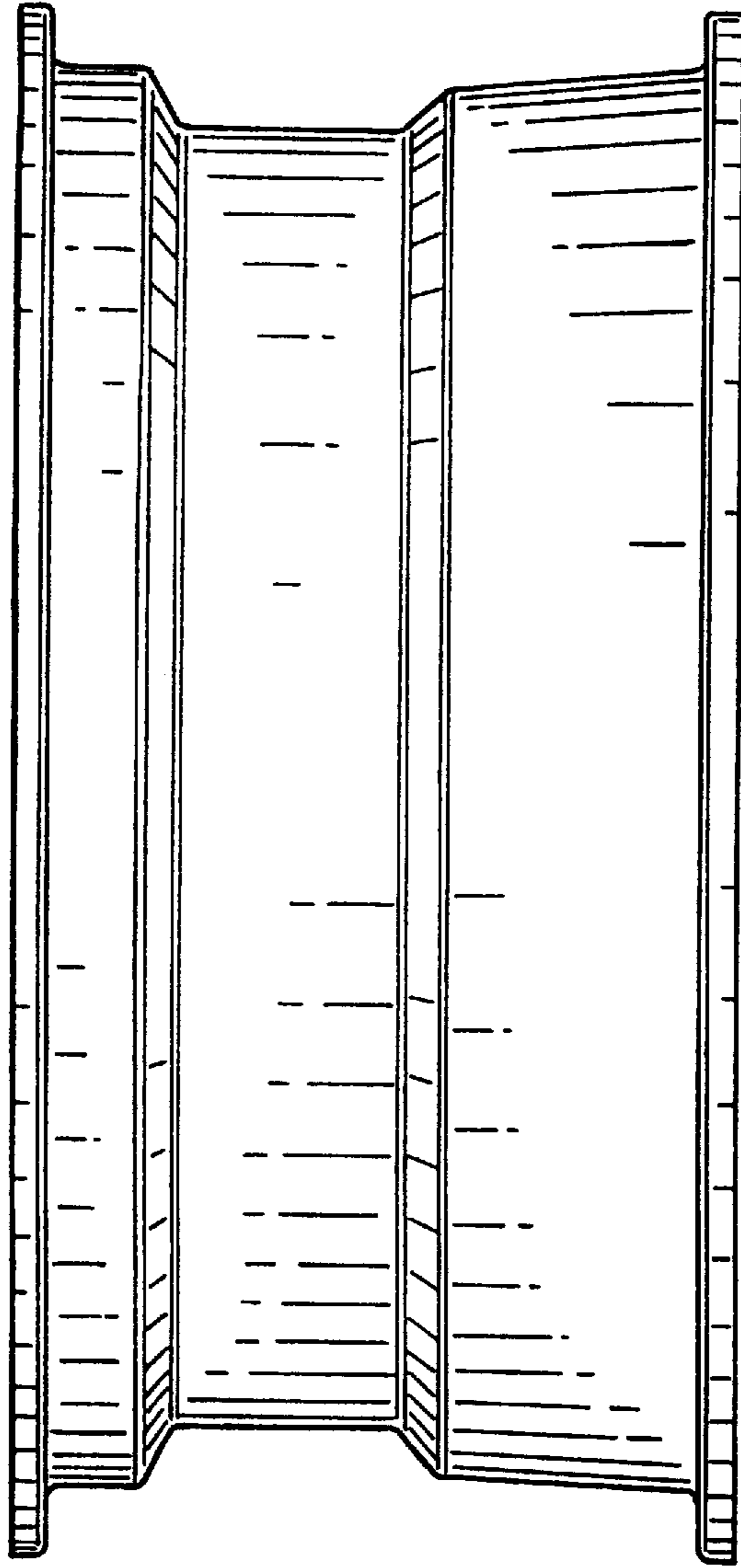


FIG. 3