



US00D399465S

United States Patent [19]
Saleen

[11] **Patent Number: Des. 399,465**

[45] **Date of Patent: **Oct. 13, 1998**

[54] **SIDE SKIRT FOR CUSTOMIZED
AUTOMOBILE BODY**

[76] Inventor: **Stephen M. Saleen**, 24307 Nan Ct.,
Diamond Bar, Calif. 91765

[**] Term: **14 Years**

[21] Appl. No.: **40,375**

[22] Filed: **Jun. 16, 1995**

[51] **LOC (6) Cl.** **12-16**

[52] **U.S. Cl.** **D12/190**

[58] **Field of Search** D12/190, 203;
280/163, 164.1, 169, 762, 768, 848; 296/196,
197, 209

[56] **References Cited**

U.S. PATENT DOCUMENTS

D. 289,891	5/1987	Bielby	D12/190
D. 297,230	8/1988	Huff	D12/203
D. 342,476	12/1993	Beckett	D12/203

Primary Examiner—Alan P. Douglas
Assistant Examiner—Lavone D. Tabor
Attorney, Agent, or Firm—Lyon & Lyon LLP

[57] **CLAIM**

The ornamental design for a side skirt for customized automobile body, as shown and described.

DESCRIPTION

FIG. 1 is a front view of a side skirt for customized

automobile body showing my new design for mounting on the left side of an automobile;

FIG. 2 is a perspective view thereof;

FIG. 3 is an interior side view thereof;

FIG. 4 is a top plan view thereof;

FIG. 5 is an exterior side view thereof;

FIG. 6 is a rear view thereof;

FIG. 7 is a bottom plan view thereof;

FIG. 8 is a rear view of a second embodiment of a side skirt for customized automobile body for mounting on the right side of an automobile;

FIG. 9 is a perspective view of FIG. 8;

FIG. 10 is an interior side view of FIG. 8;

FIG. 11 is a top plan view of FIG. 8;

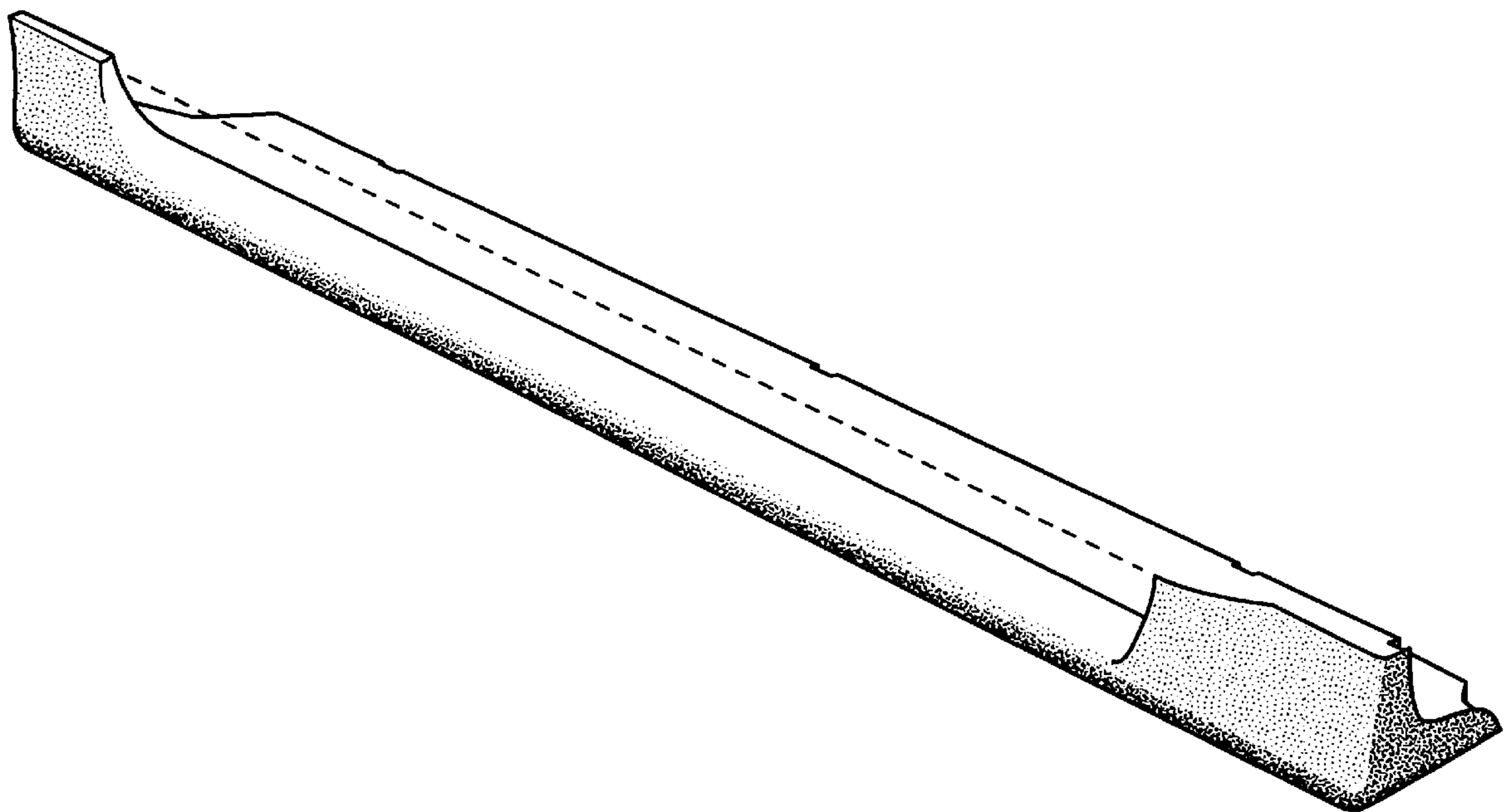
FIG. 12 is an exterior side view of FIG. 8;

FIG. 13 is a front view of FIG. 8; and,

FIG. 14 is a bottom plan view of FIG. 8.

The broken line showing of the mating automobile portion in FIGS. 2, 3, 5, 9, and 12, is for illustrative purposes only and forms no part of the claimed design.

1 Claim, 4 Drawing Sheets



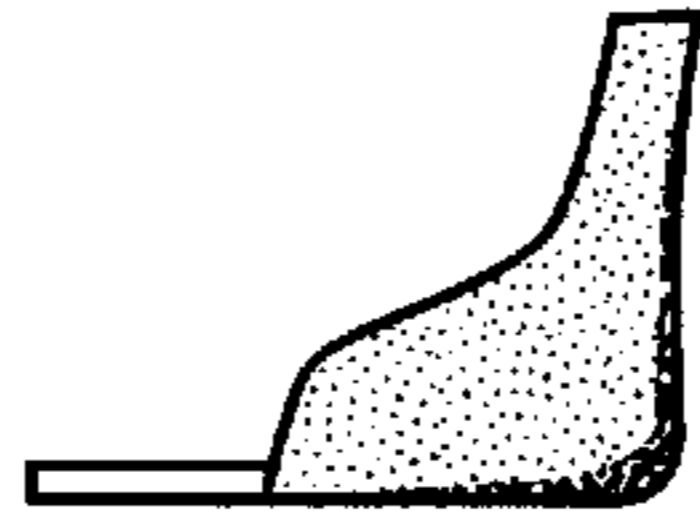


Fig. 1

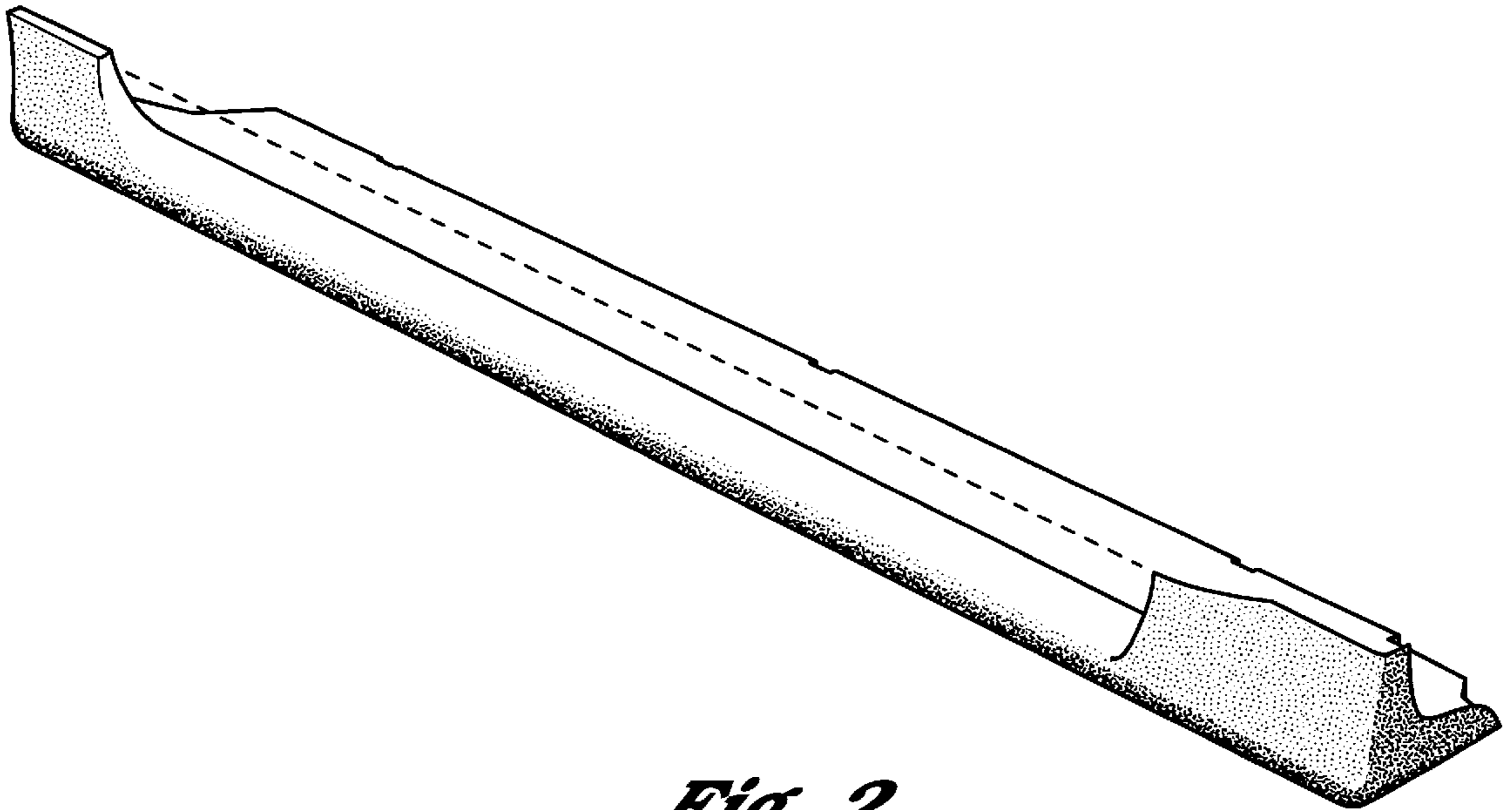


Fig. 2



Fig. 3

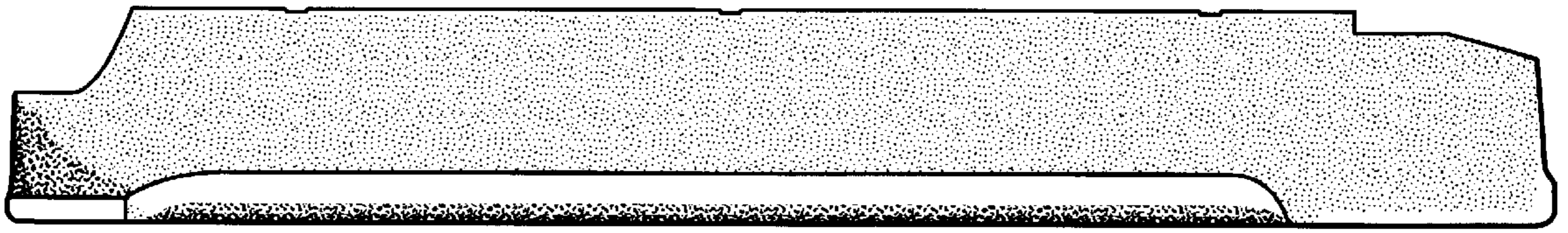


Fig. 4

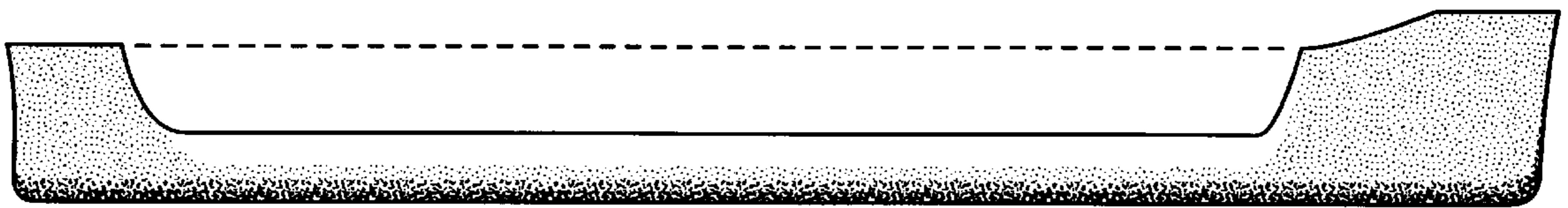


Fig. 5



Fig. 6

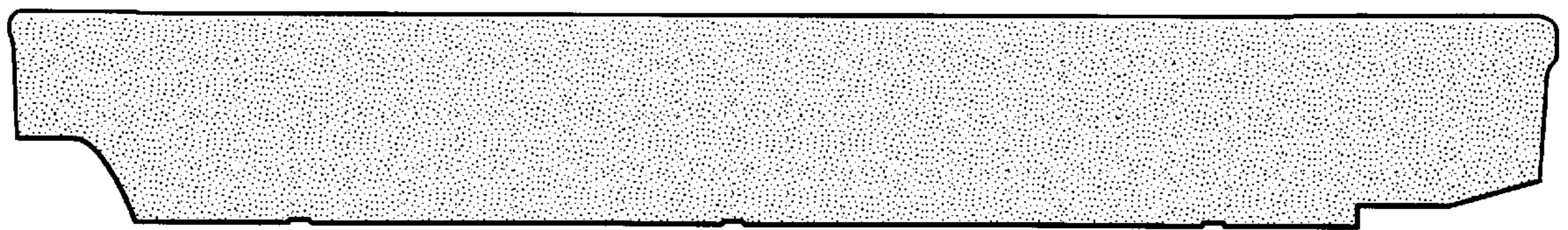


Fig. 7

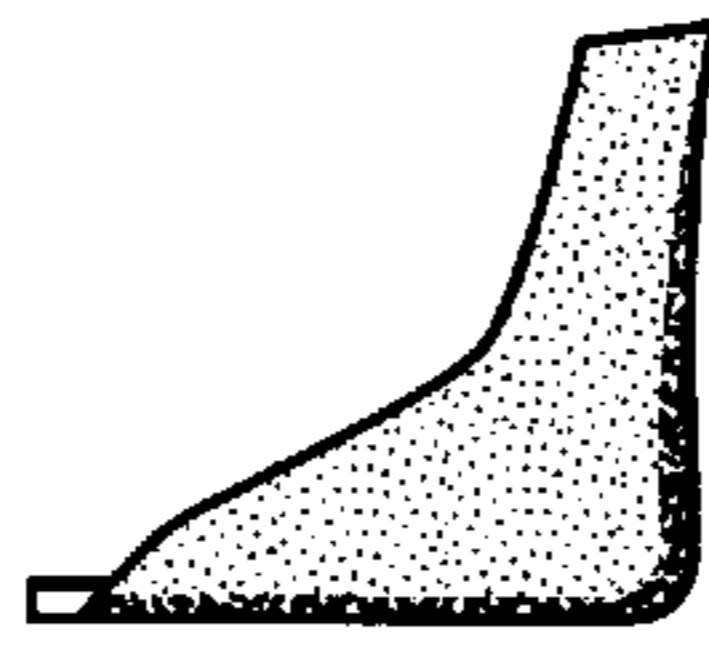


Fig. 8

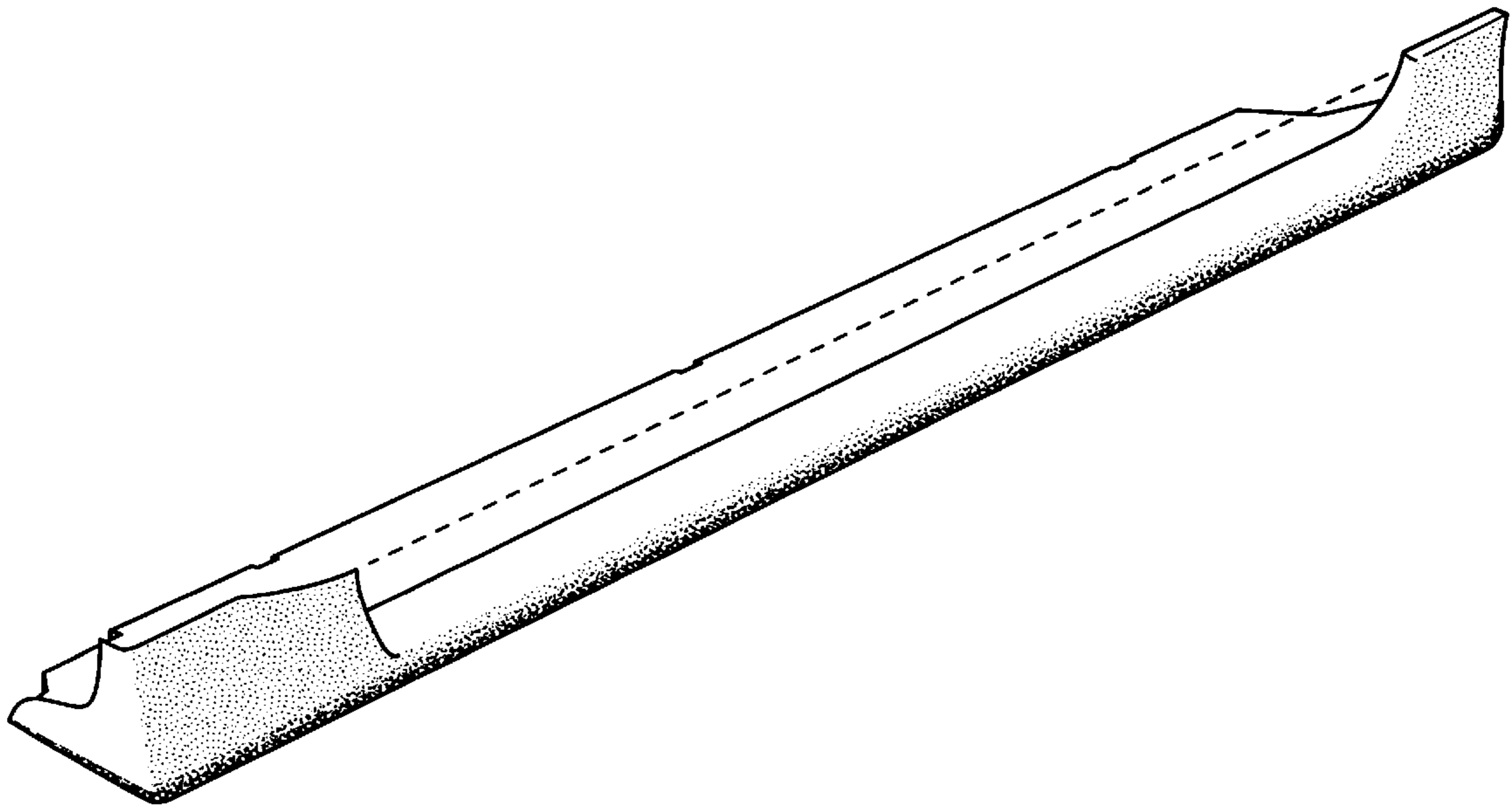


Fig. 9

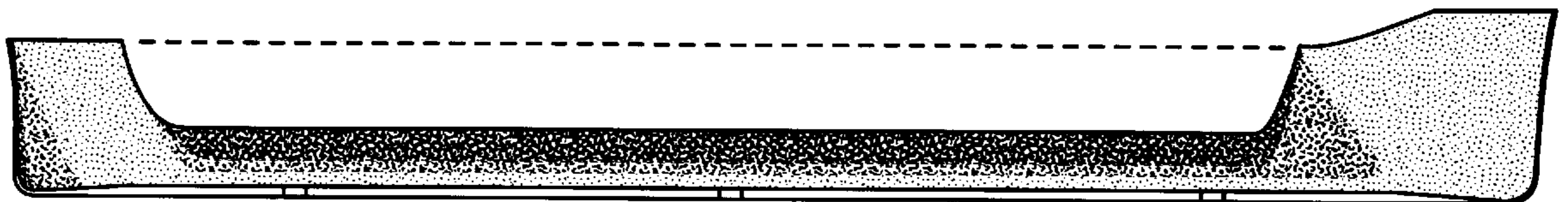


Fig. 10

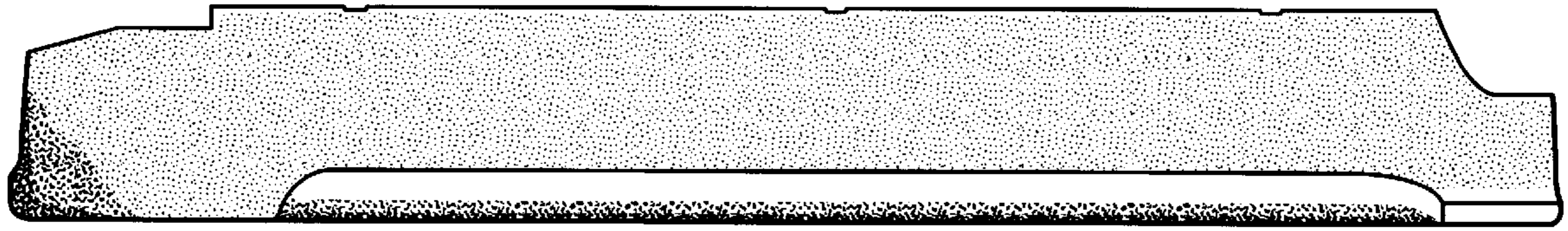


Fig. 11

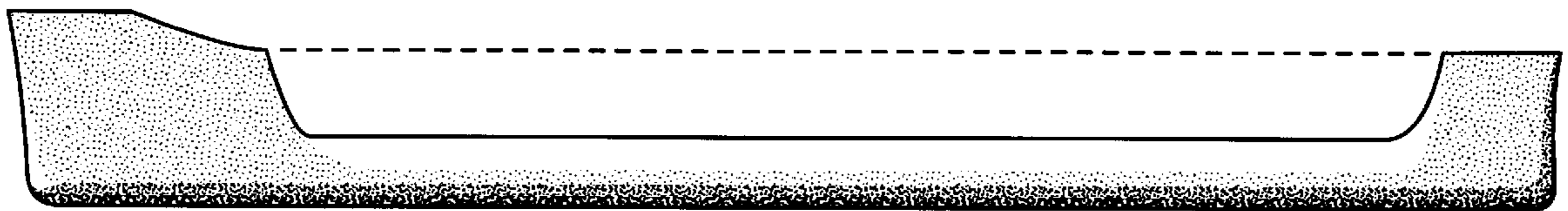


Fig. 12

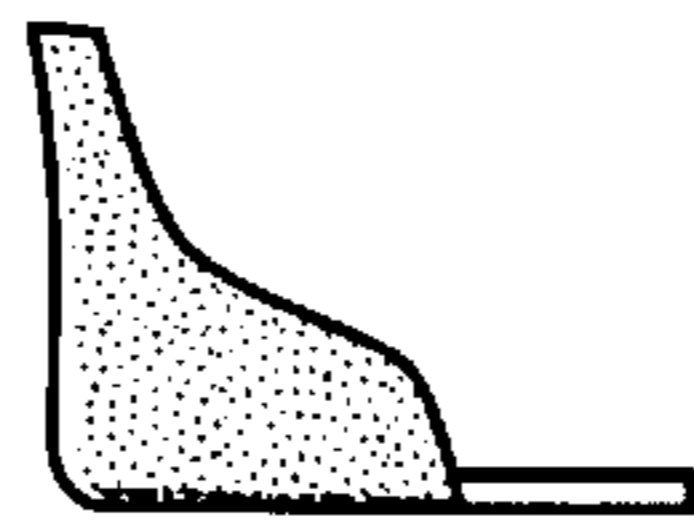


Fig. 13

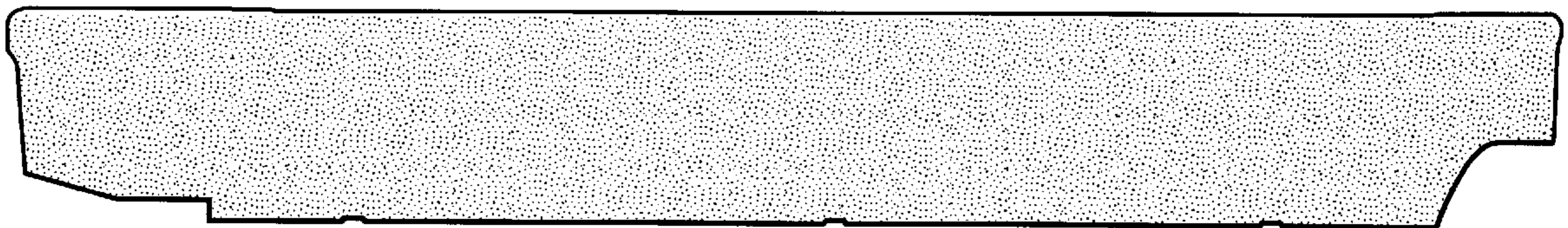


Fig. 14