



US00D399459S

United States Patent [19]
Welch

[11] **Patent Number: Des. 399,459**

[45] **Date of Patent: **Oct. 13, 1998**

[54] **WHEELCHAIR ATTACHMENTS**

5,356,059 10/1994 Yanez et al. 224/407

[76] Inventor: **Carolene Welch**, 16925 Hayter Ave.,
Bellflower, Calif. 90706

Primary Examiner—Kay H. Chin
Attorney, Agent, or Firm—Goldstein & Associates

[**] Term: **14 Years**

[57] **CLAIM**

[21] Appl. No.: **75,336**

The ornamental design for wheelchair attachments, as shown and described.

[22] Filed: **Aug. 20, 1997**

DESCRIPTION

[51] **LOC (6) Cl.** **12-12**

[52] **U.S. Cl.** **D12/133; D6/339**

[58] **Field of Search** D12/133; 297/DIG. 4,
297/243; 280/304.1, 250.1; D34/27; 224/407,
494, 526, 560, 566; D6/339, 341

FIG. 1 is a perspective view of the wheelchair attachments in full lines with a wheelchair shown in broken lines representing environmental association matter being for illustrative purposes only and forming no part of the claimed invention;

FIG. 2 is a front elevational view thereof;

FIG. 3 is a rear elevational view thereof;

FIG. 4 is a top plan view of the wheelchair attachments;

FIG. 5 is a bottom plan view thereof;

FIG. 6 is a right side elevational view thereof; and,

FIG. 7 is a left side elevational view thereof.

[56] **References Cited**

U.S. PATENT DOCUMENTS

D. 333,114	2/1993	Taylor	D12/133
4,711,489	12/1987	Krause	297/243
4,779,883	10/1988	Paduano	280/304.1
4,861,059	8/1989	Shirk	280/304.1

1 Claim, 3 Drawing Sheets

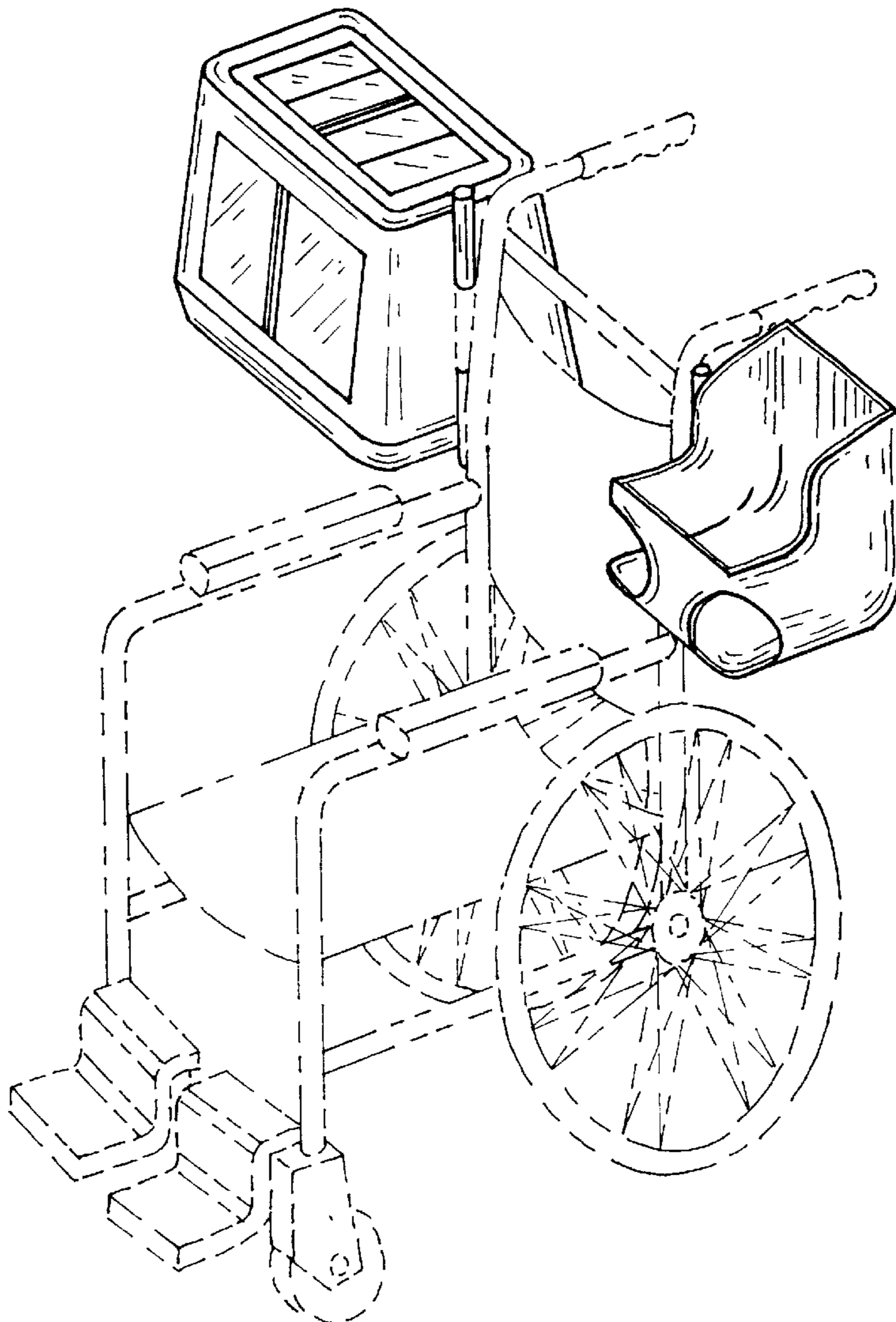


FIG. 1

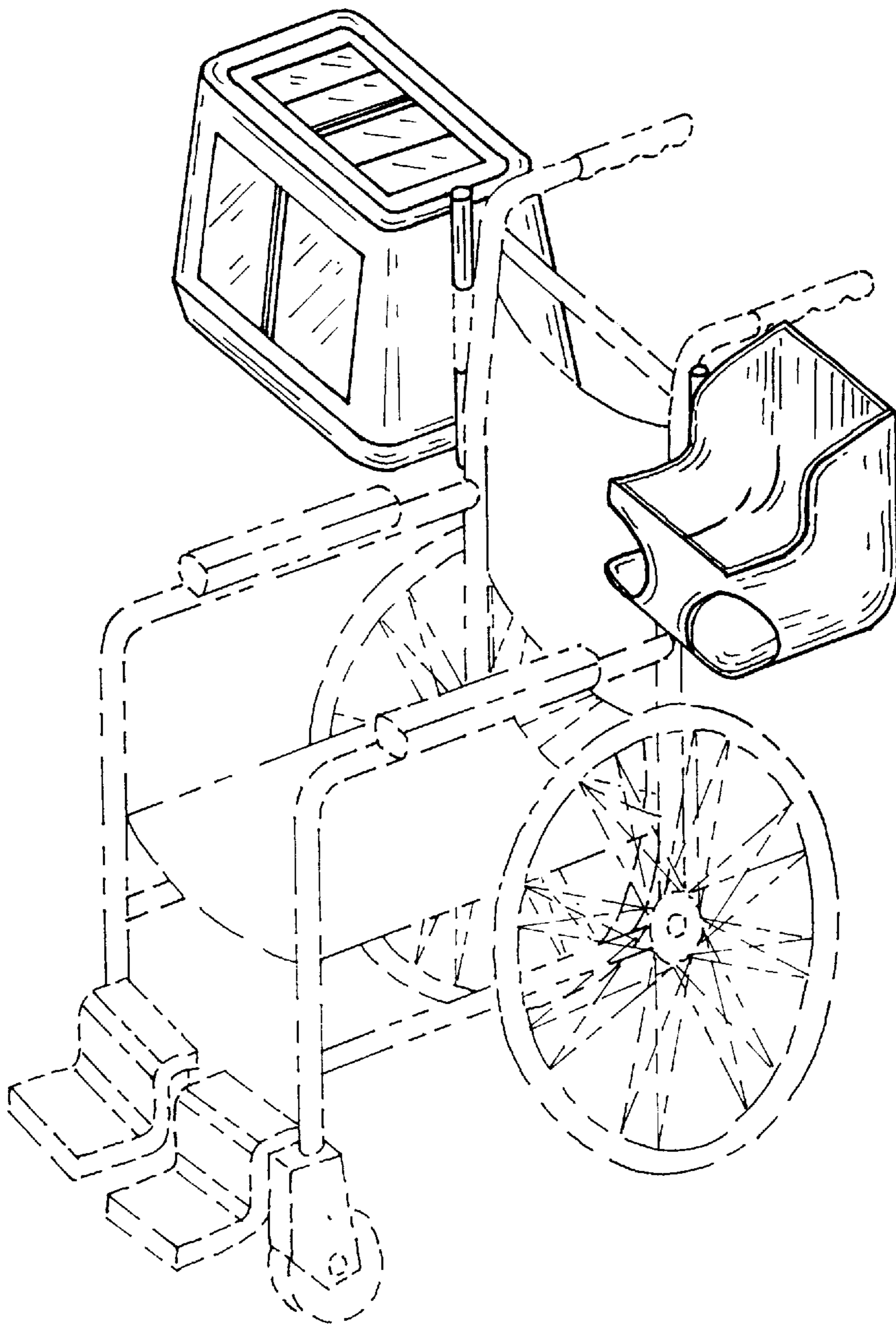


FIG. 2

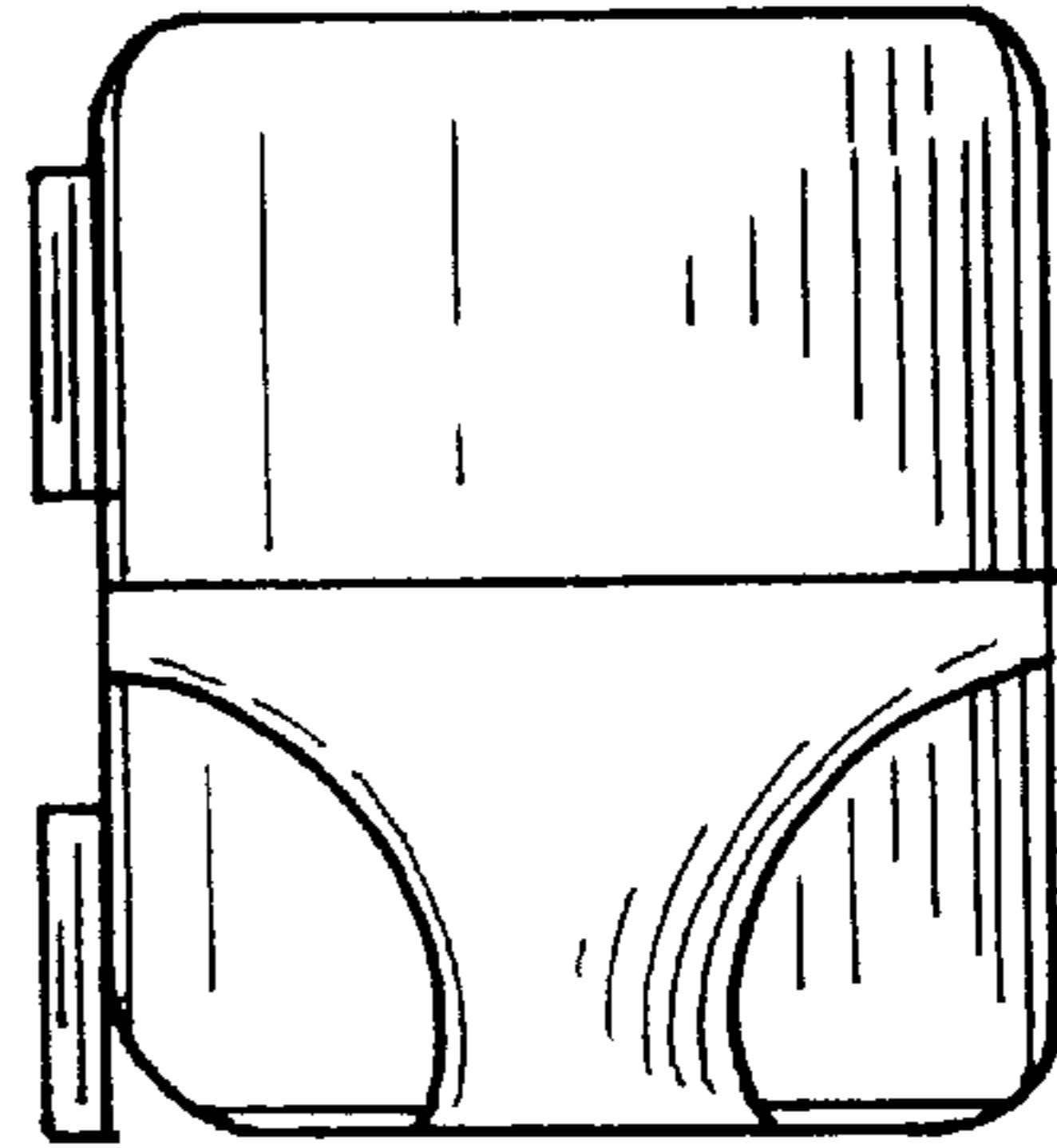
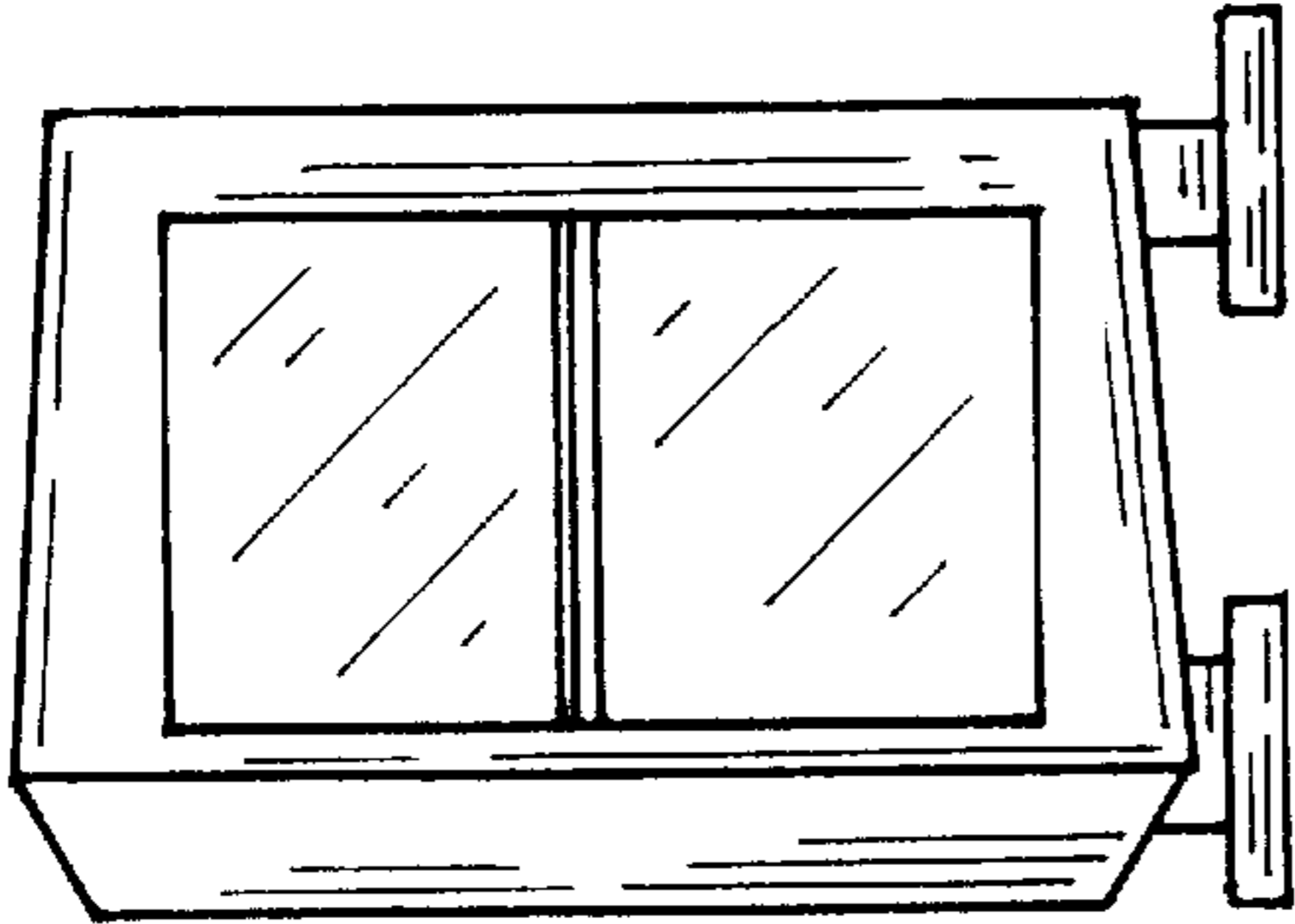


FIG. 3

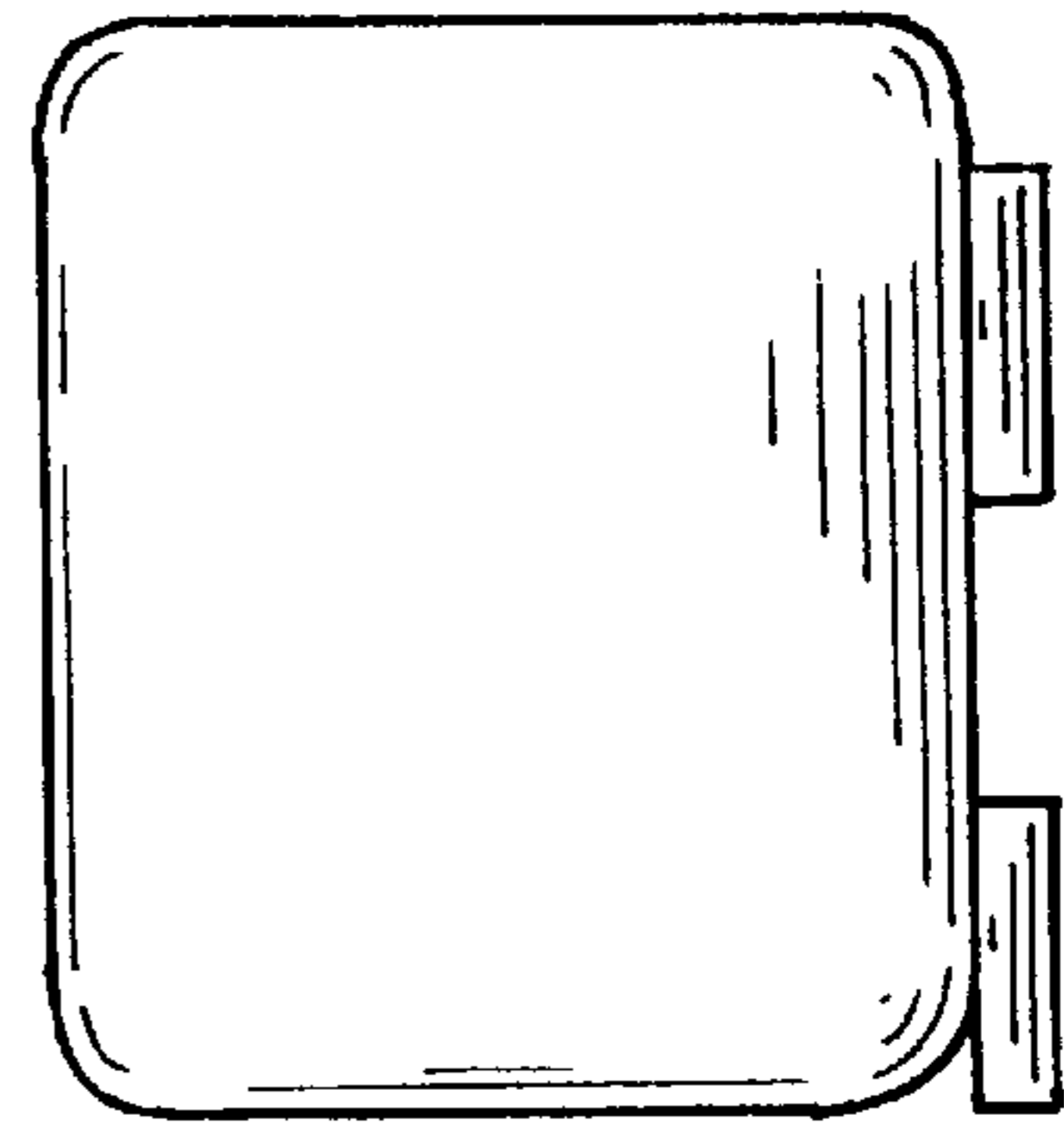
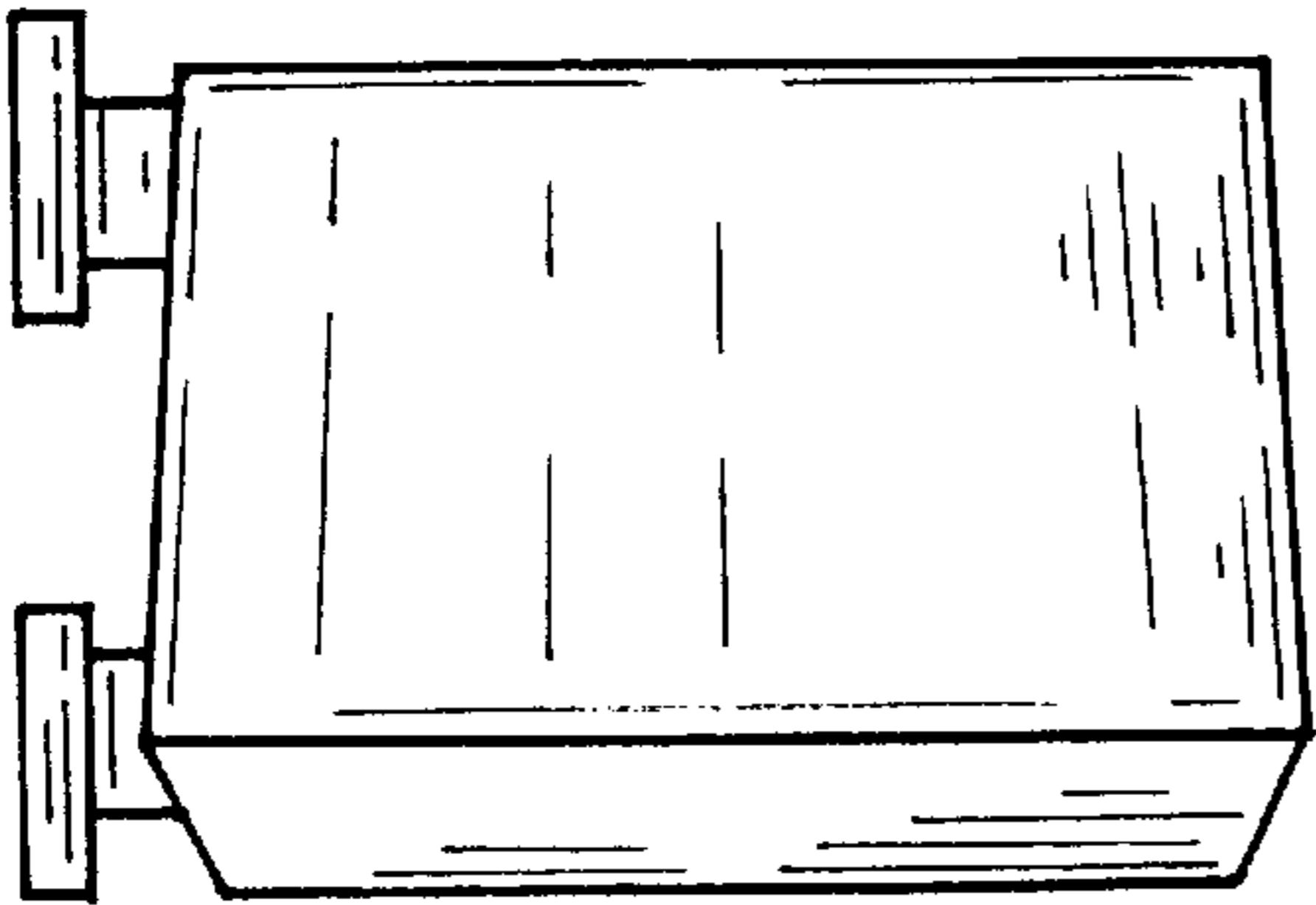


FIG. 4

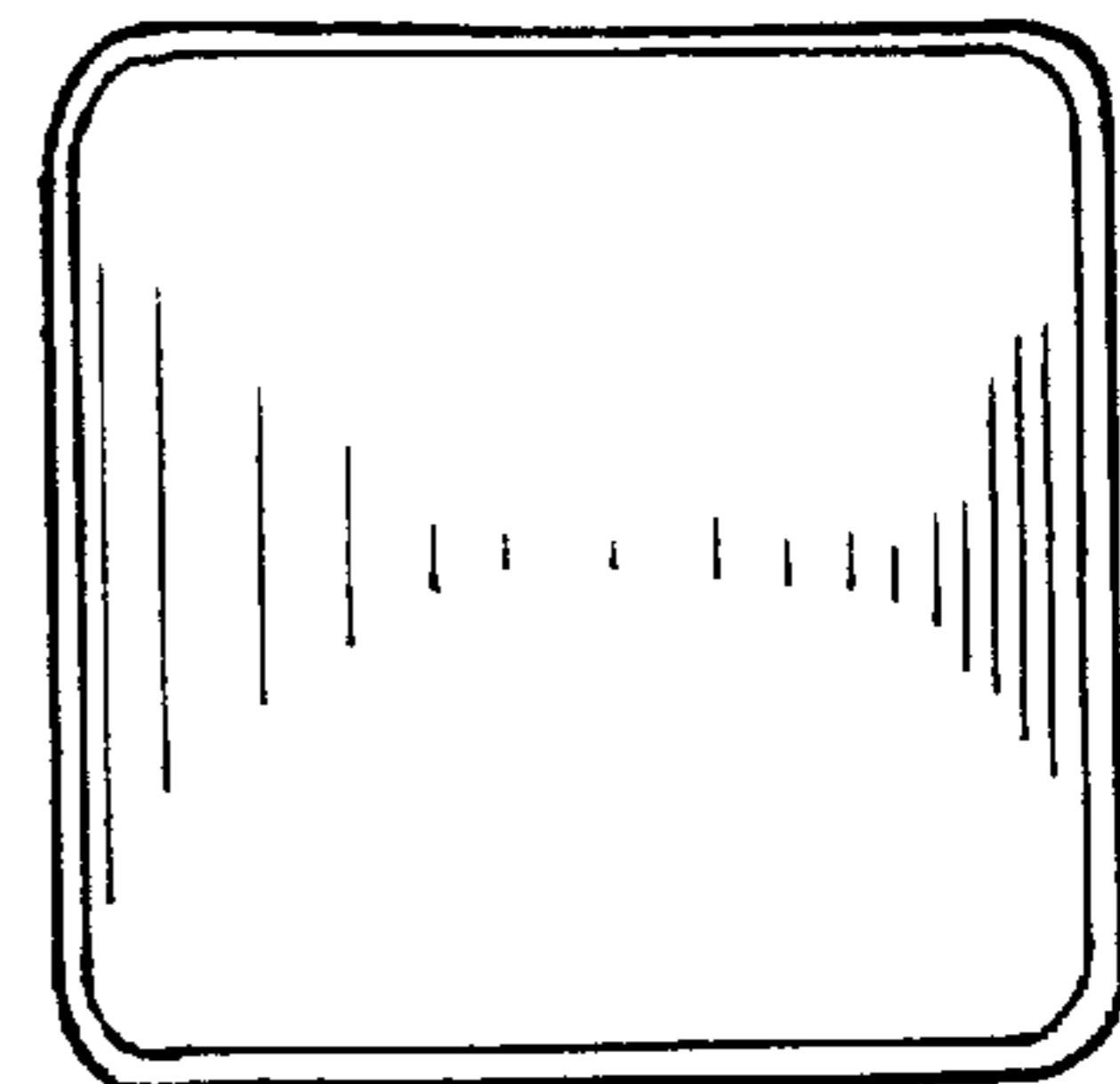
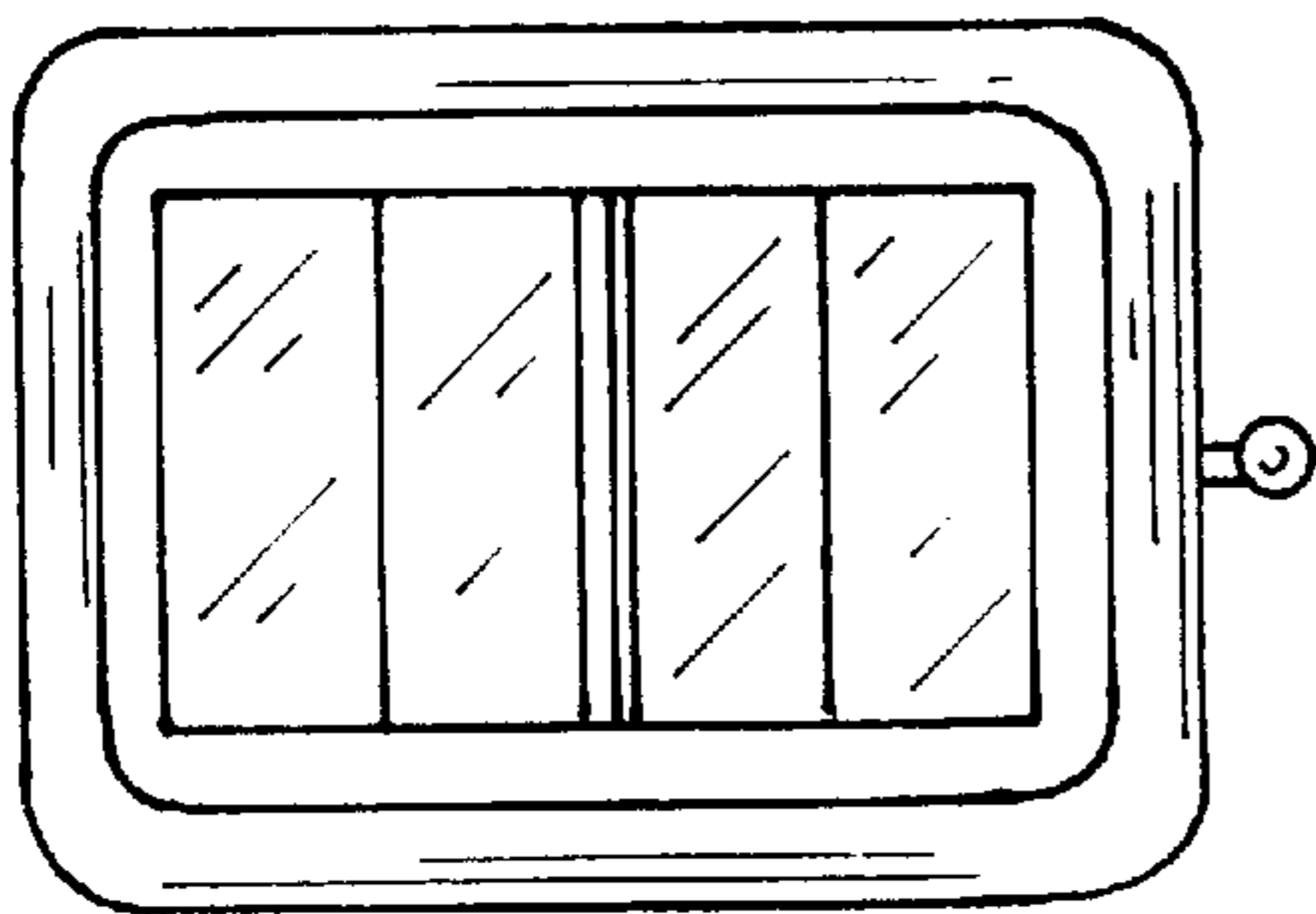


FIG. 5

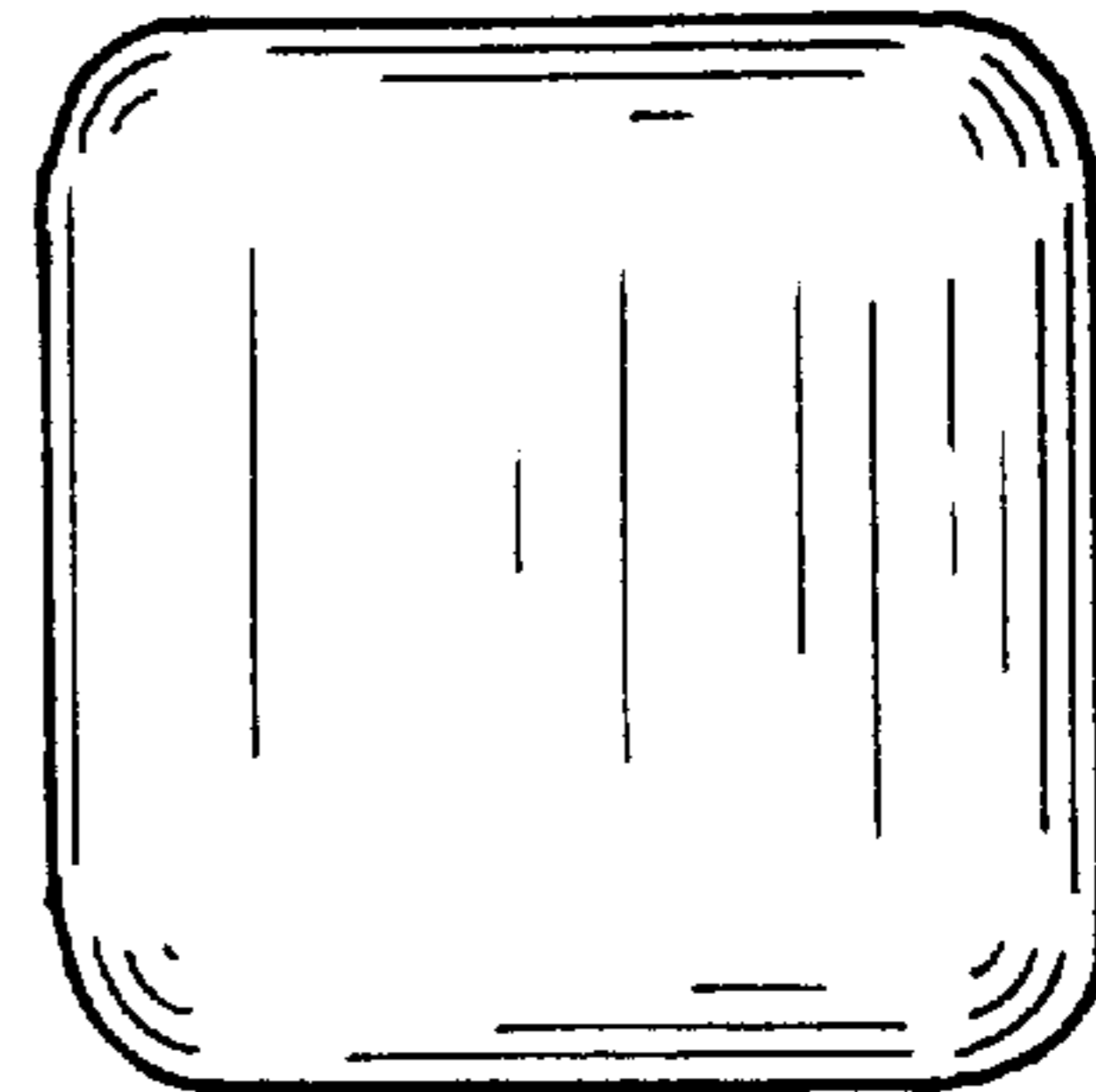
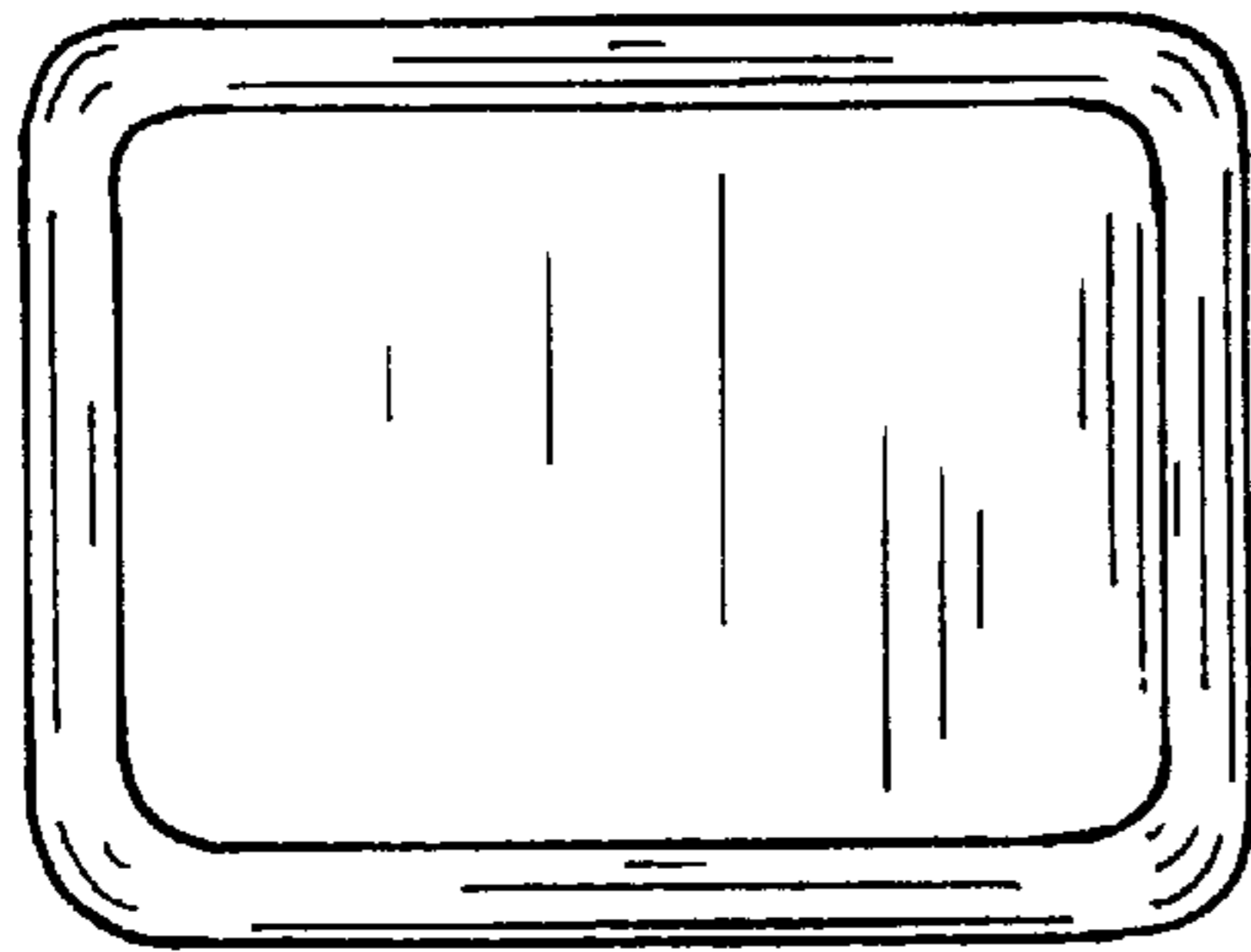


FIG. 6

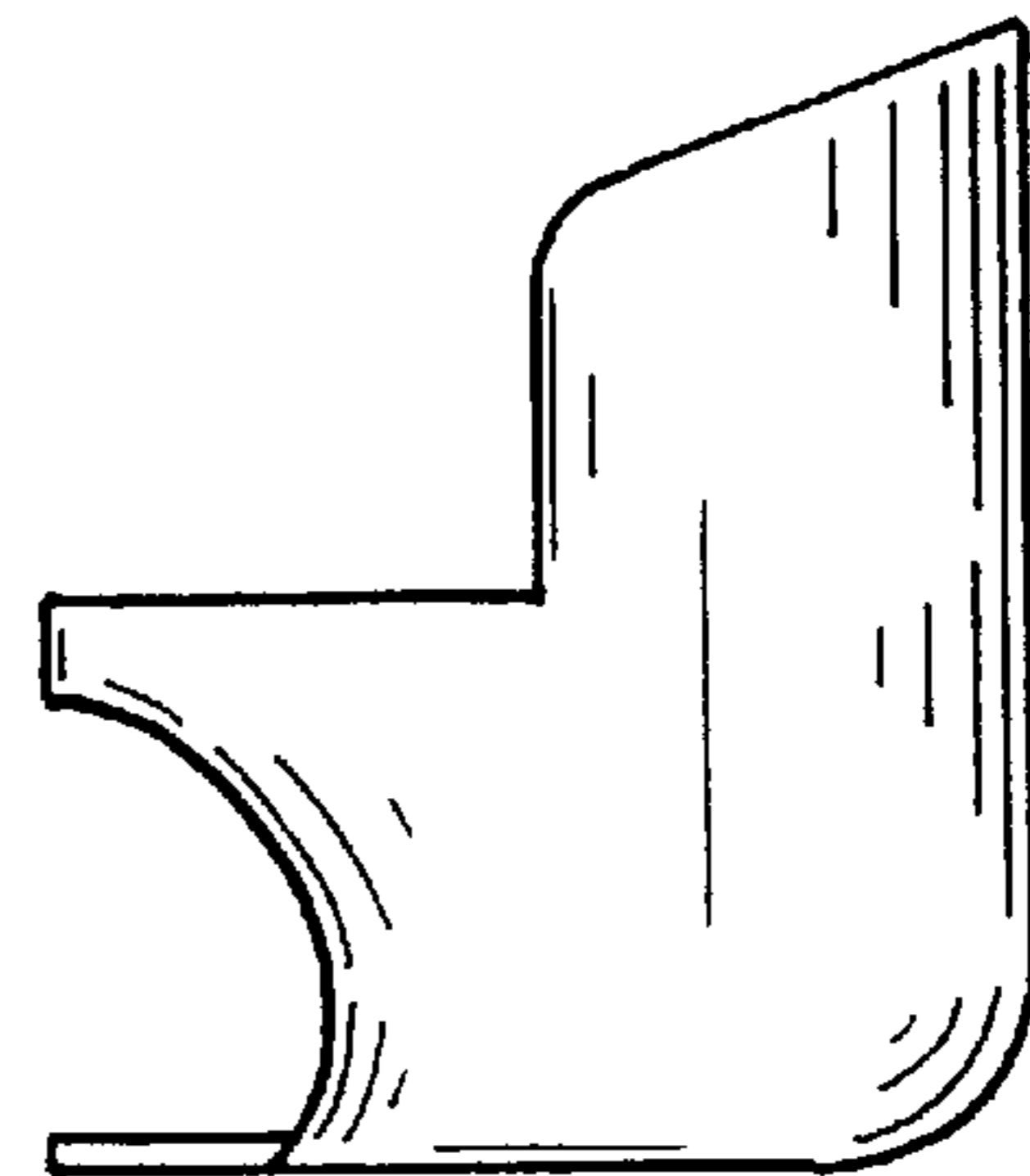
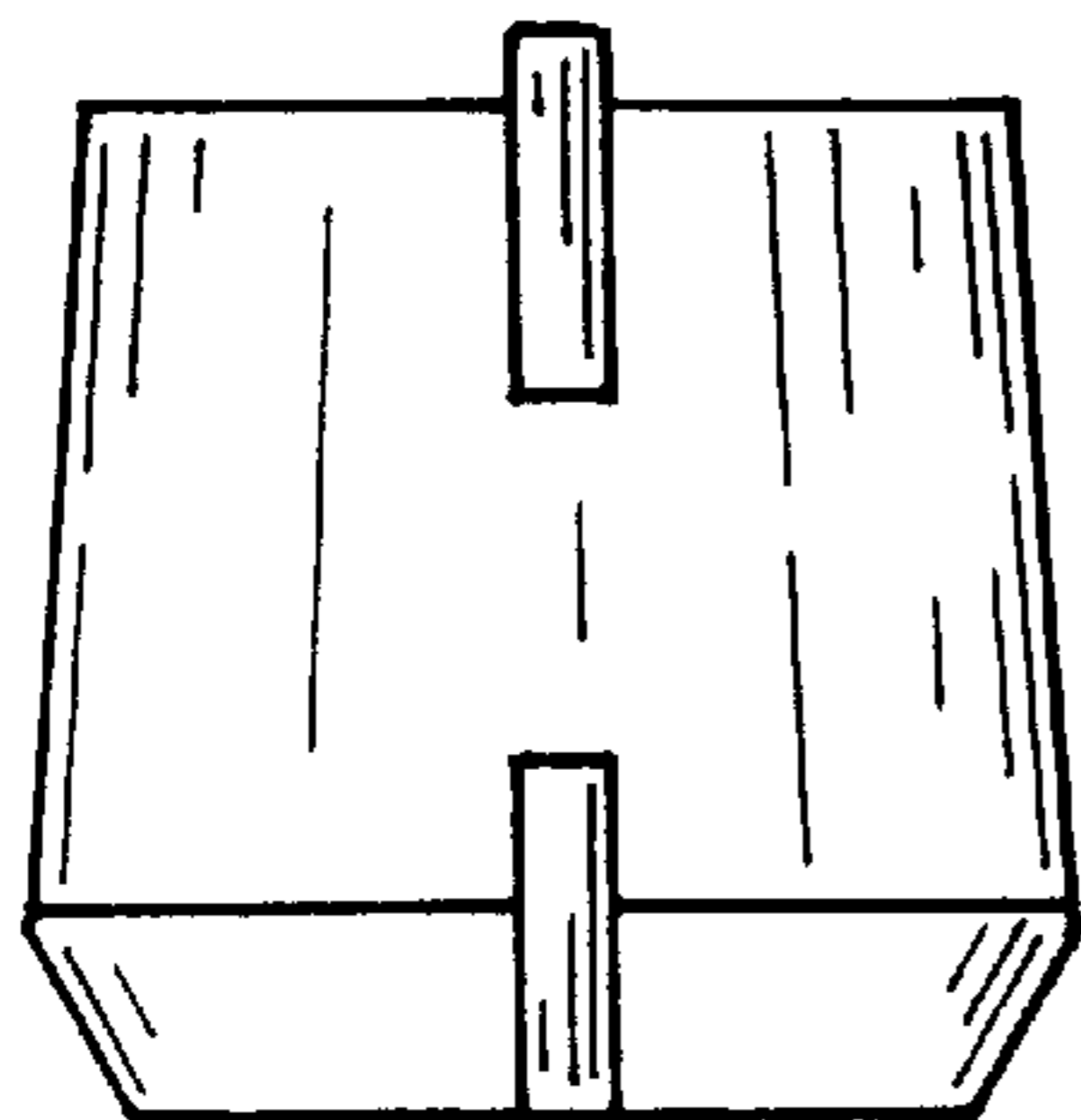


FIG. 7

