



US00D399445S

**United States Patent** [19]  
**Camano**

[11] **Patent Number: Des. 399,445**

[45] **Date of Patent: \*\*Oct. 13, 1998**

[54] **METAL DETECTOR**

[76] **Inventor: Ronald C. (Jim) Camano**, 14 Cavalier Drive, Lower Sackville, Nova Scotia, Canada, B4C 3K3

[\*\*] **Term: 14 Years**

[21] **Appl. No.: 82,359**

[22] **Filed: Jan. 21, 1998**

[51] **LOC (6) Cl. .... 10-05**

[52] **U.S. Cl. .... D10/104; D10/46**

[58] **Field of Search .... D10/46, 47, 104, D10/106, 116, 121; 340/571, 572, 573, 540; 324/66, 67, 326, 327, 328, 329**

[56] **References Cited**

**U.S. PATENT DOCUMENTS**

- D. 218,705 9/1970 Doss ..... D10/47
- D. 333,990 3/1993 Johnson et al. .... D10/46
- D. 356,044 3/1995 Clements ..... D10/104

*Primary Examiner*—Marcus A. Jackson  
*Attorney, Agent, or Firm*—Mario D. Theriault

[57] **CLAIM**

The ornamental design for a metal detector, as shown and described.

**DESCRIPTION**

FIG. 1 is a top, rear and left side perspective view of a first variant of a metal detector showing a first embodiment of my new design;

FIG. 2 is a top view thereof;

FIG. 3 is a front view thereof;

FIG. 4 is a rear view thereof;

FIG. 5 is a bottom view thereof;

FIG. 6 is a left side view thereof;

FIG. 7 is a right side view thereof;

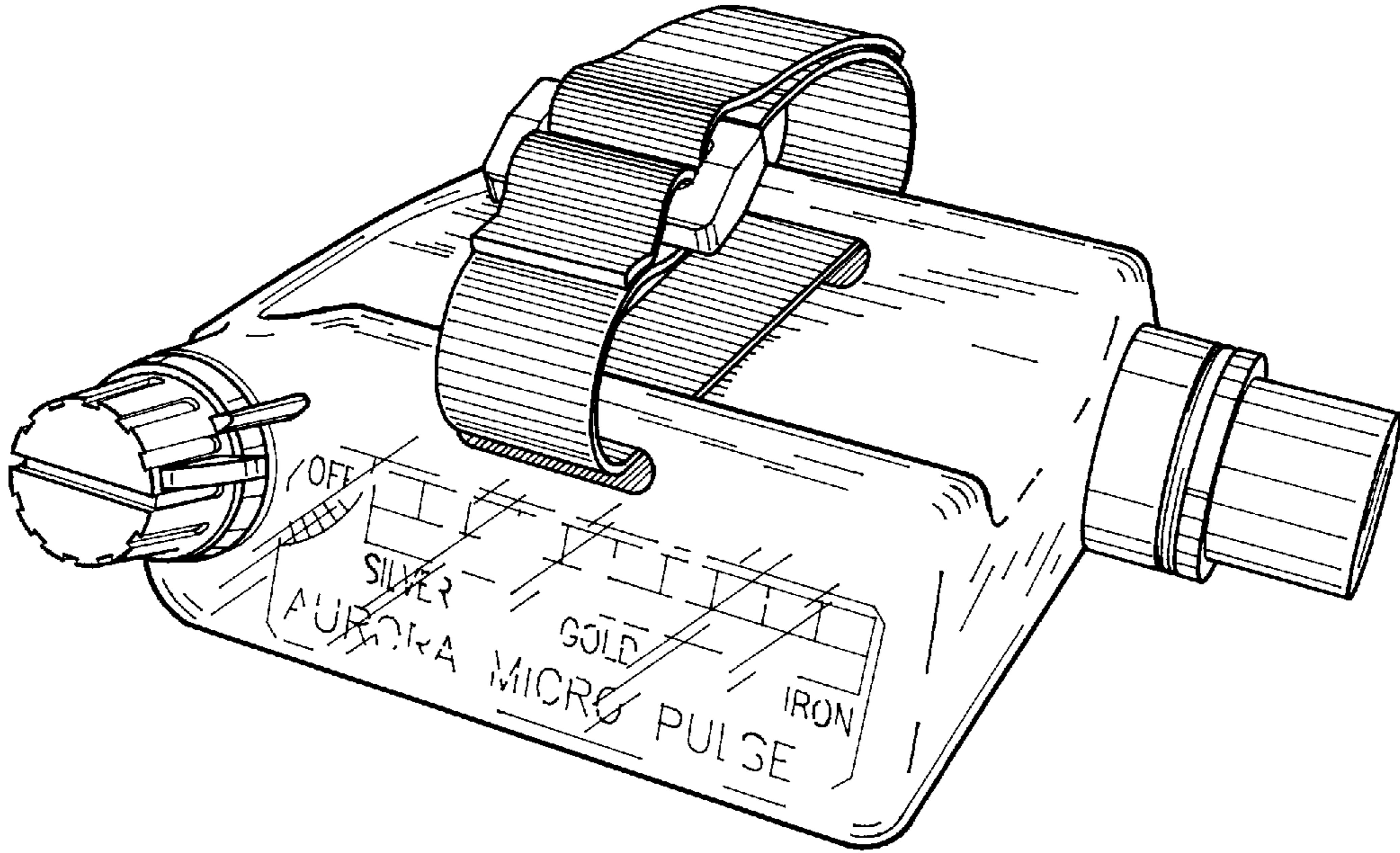
FIG. 8 is a top, rear and right side perspective view of a second variant of a metal detector showing a second embodiment of my design;

FIG. 9 is a top view of a third variant of a metal detector showing a third embodiment of my design; and,

FIG. 10 is a reduced left side view of the first embodiment of my design illustrating a preferred mounting thereof on the wrist of a user.

The broken line illustration of a hand in FIG. 10 is for illustrative purposes only and forms no part of the claimed design. FIG. 10 shows the article in use.

**1 Claim, 6 Drawing Sheets**



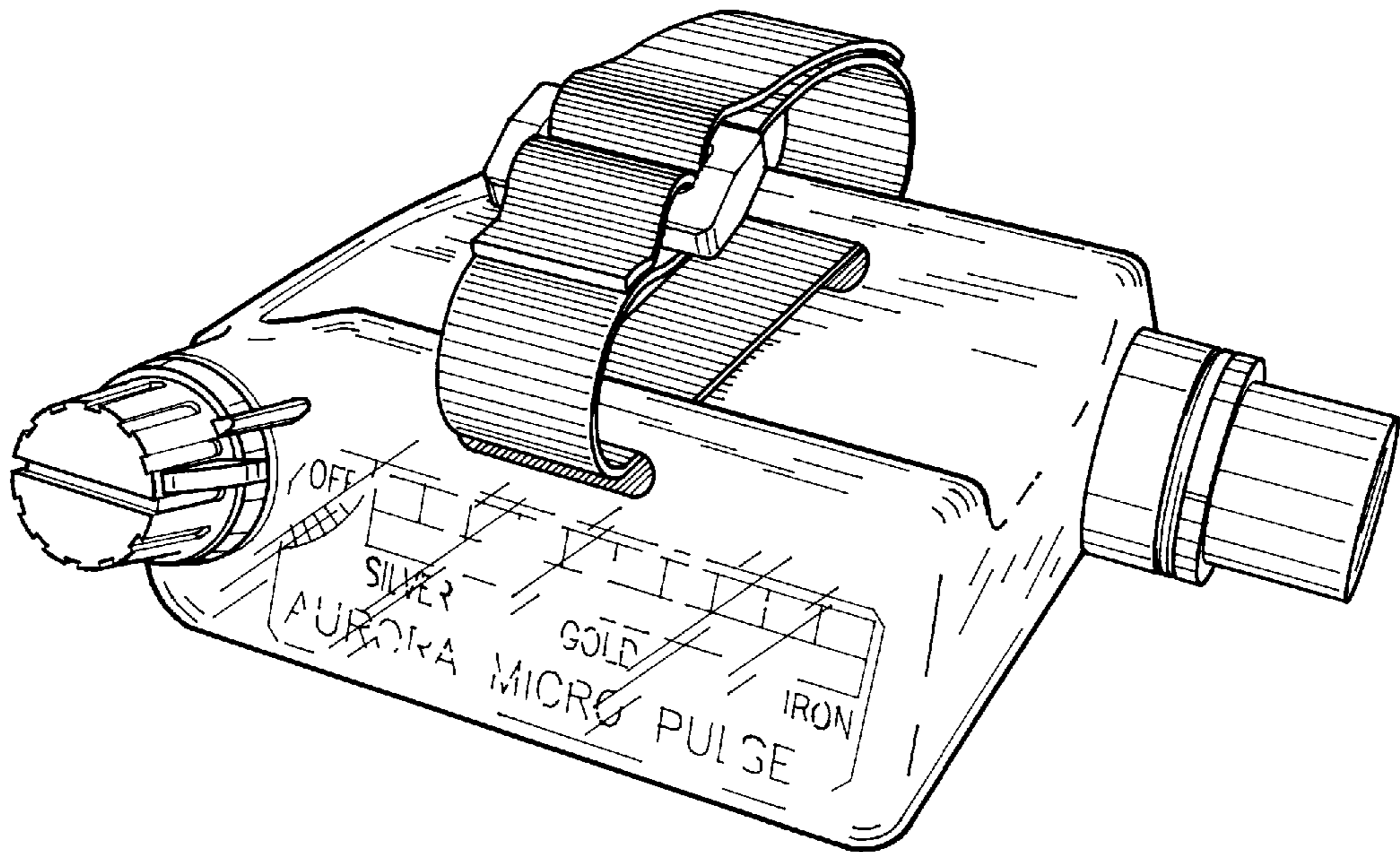


FIG. 1

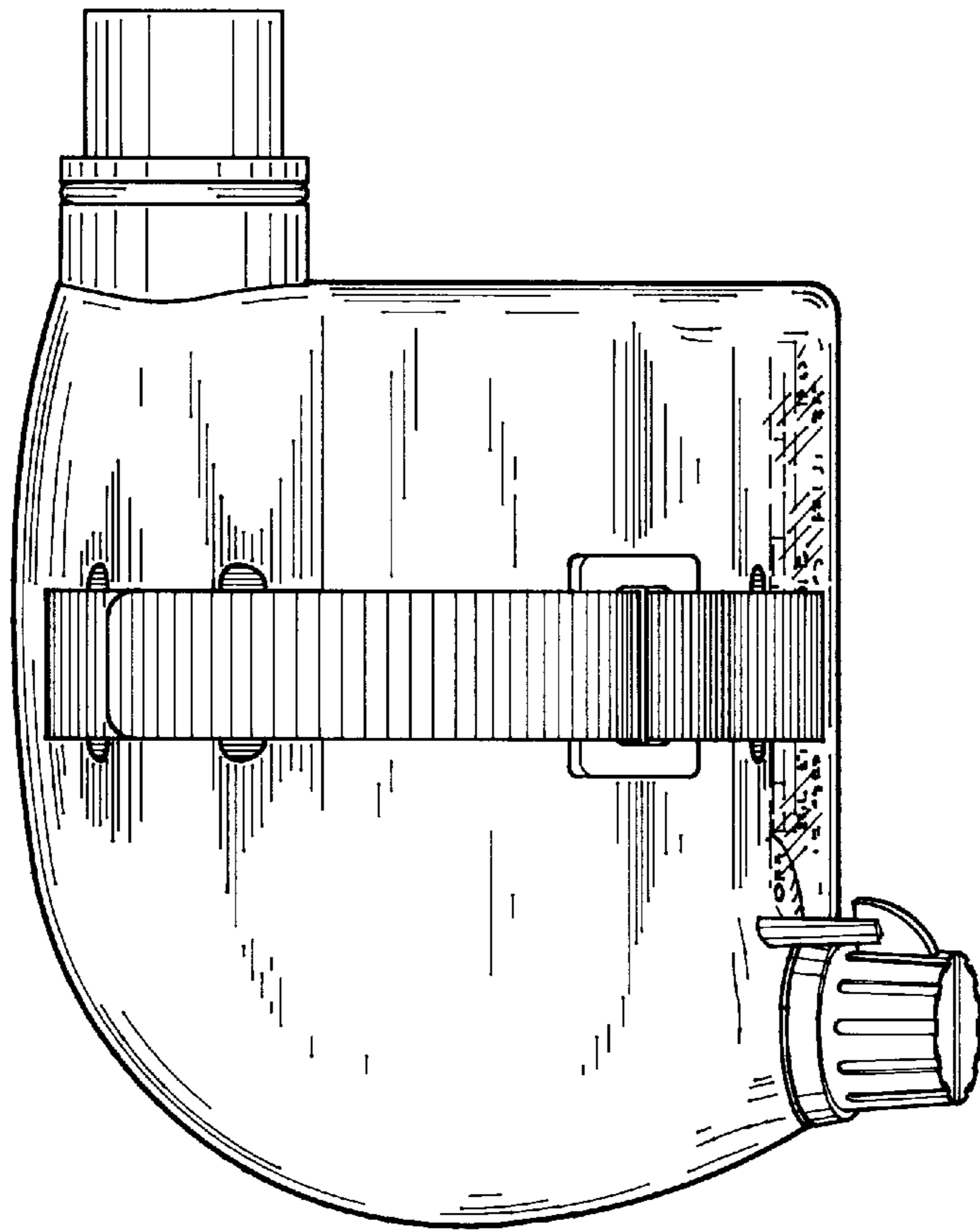


FIG. 2

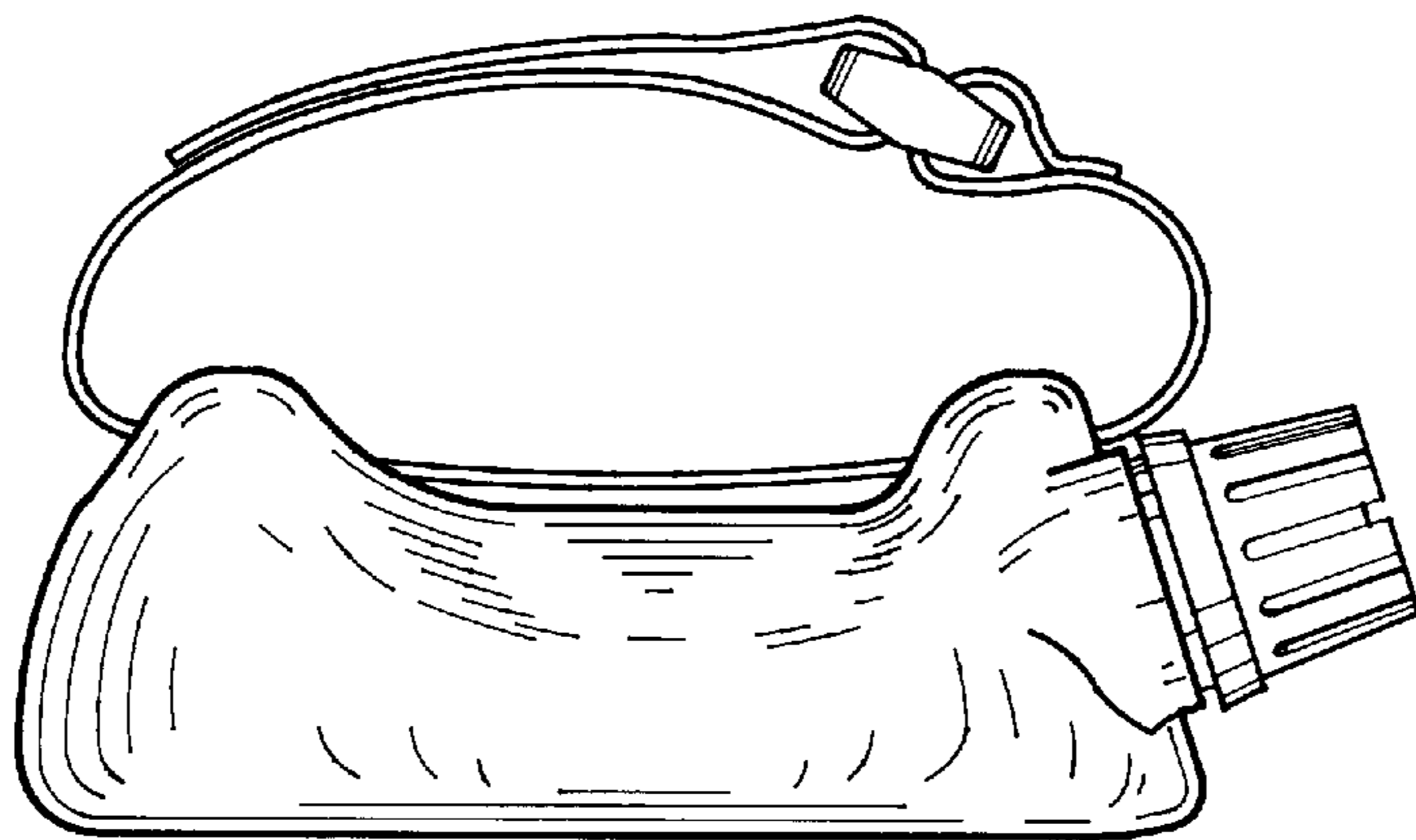


FIG. 3

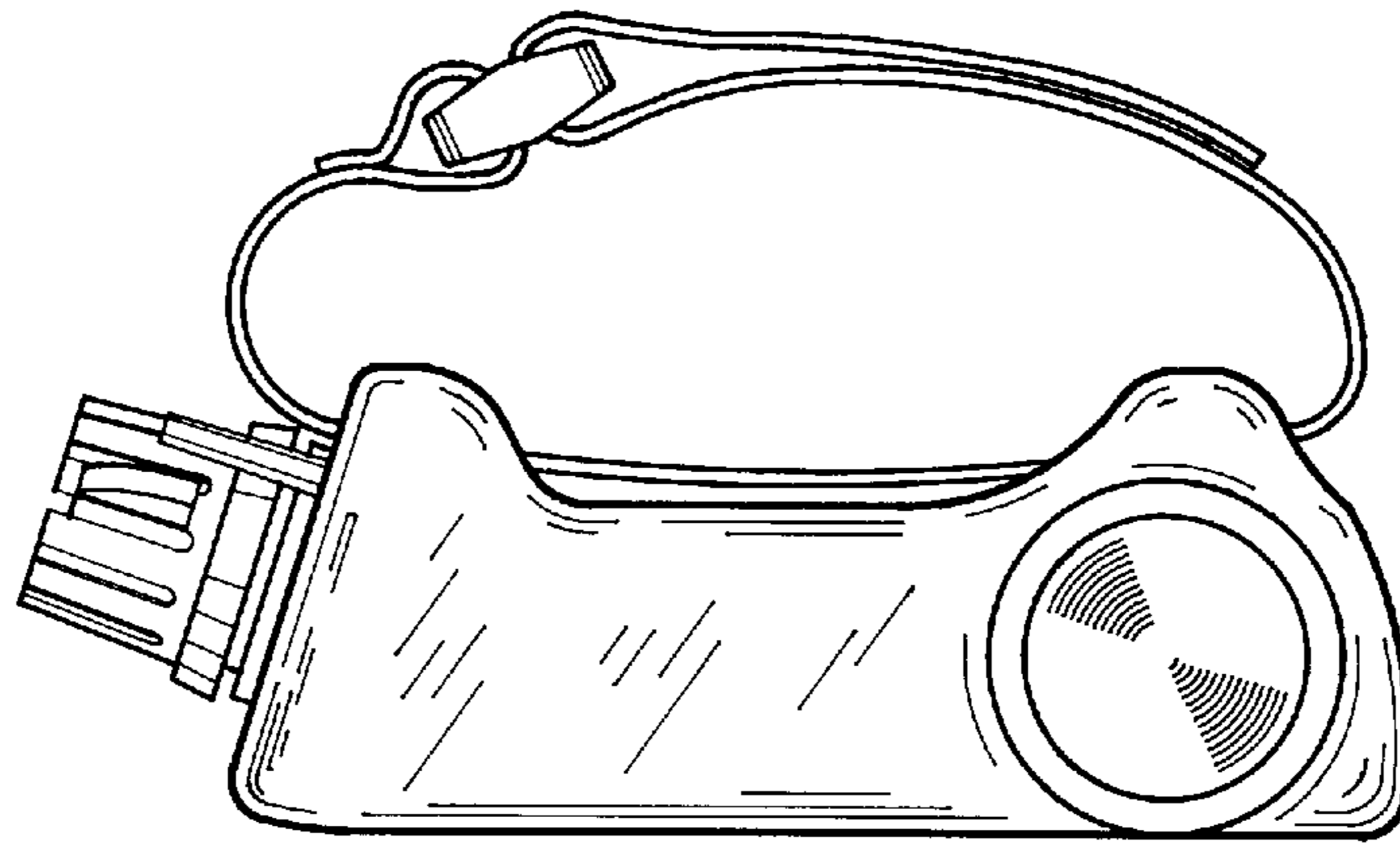


FIG. 4

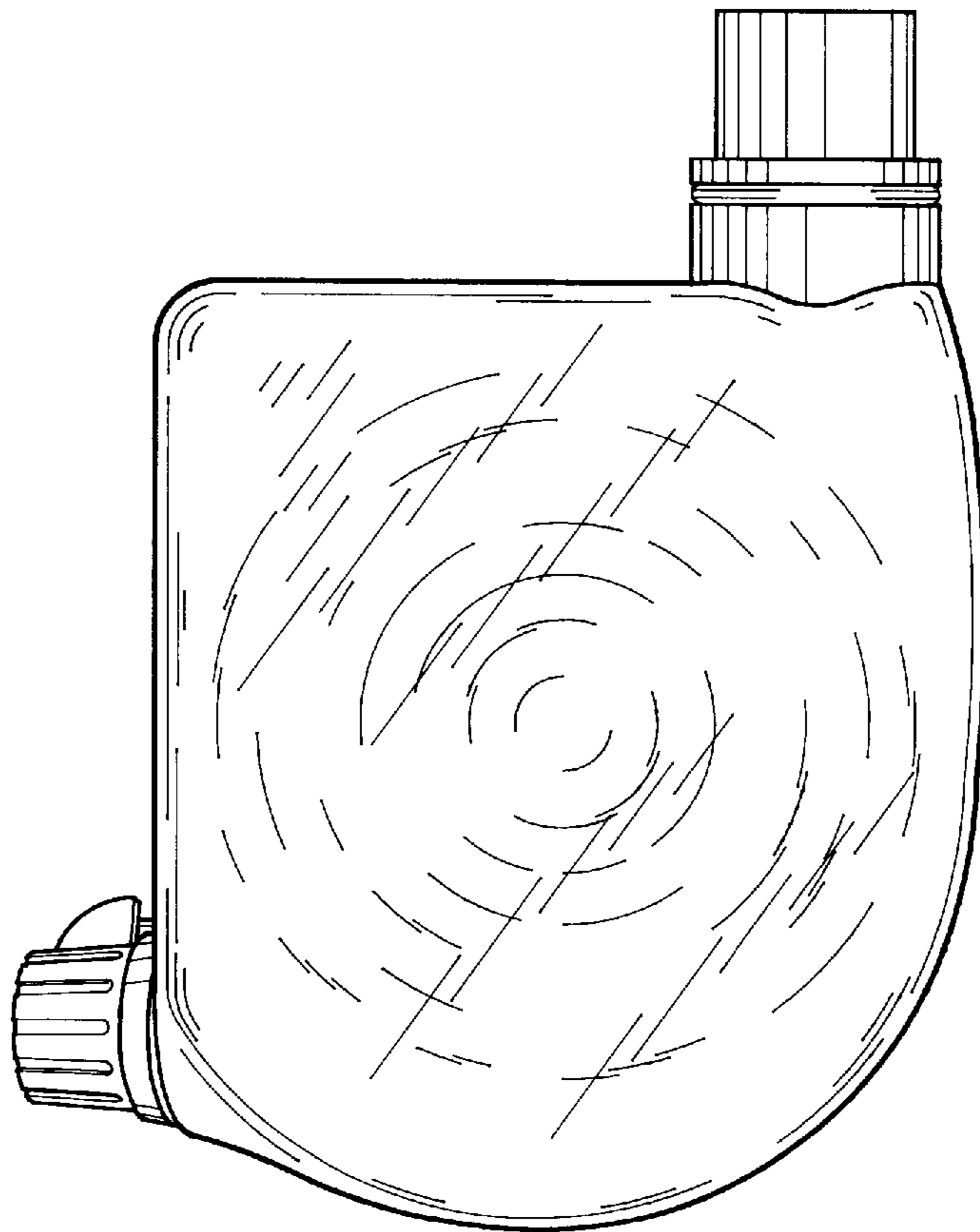


FIG. 5

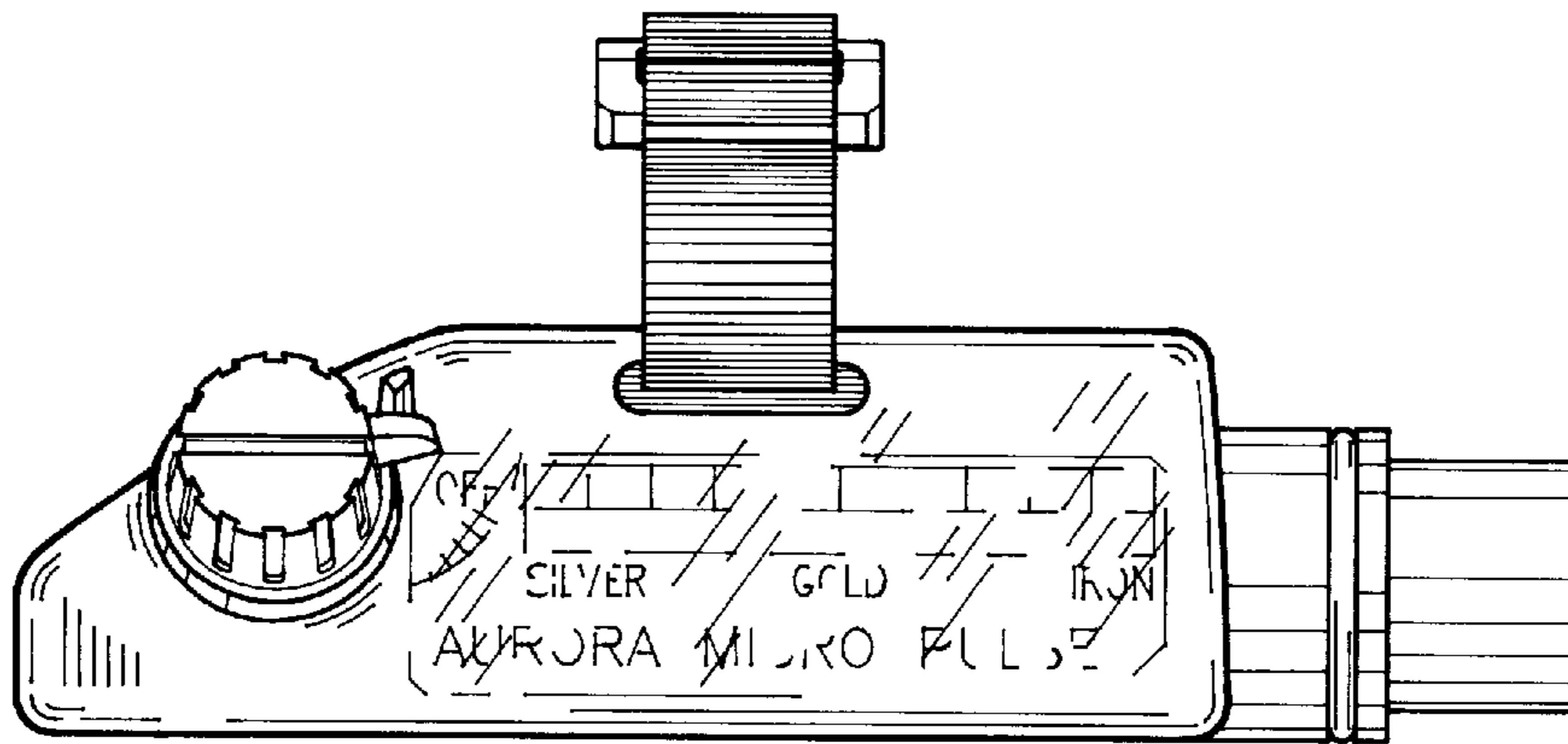


FIG. 6

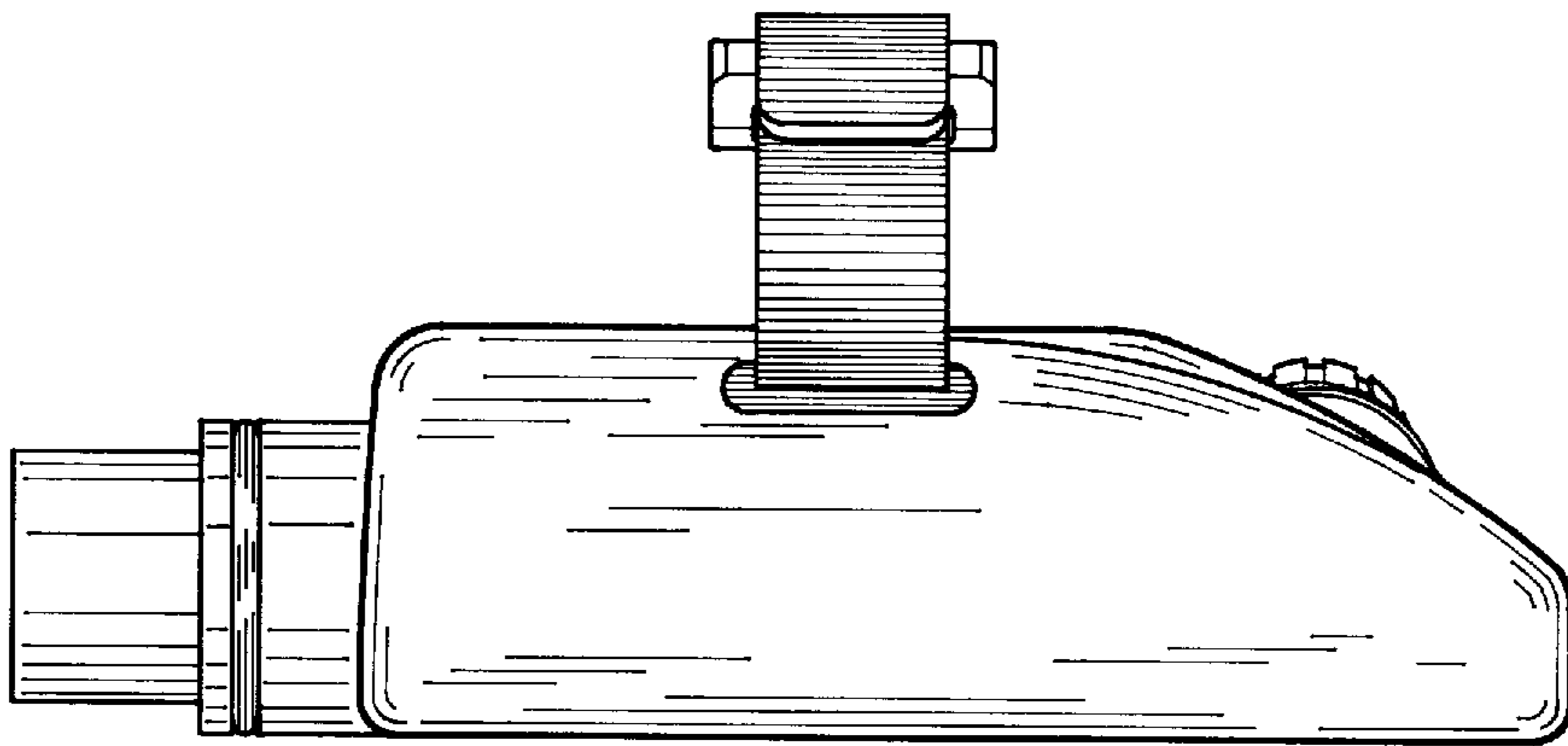


FIG. 7



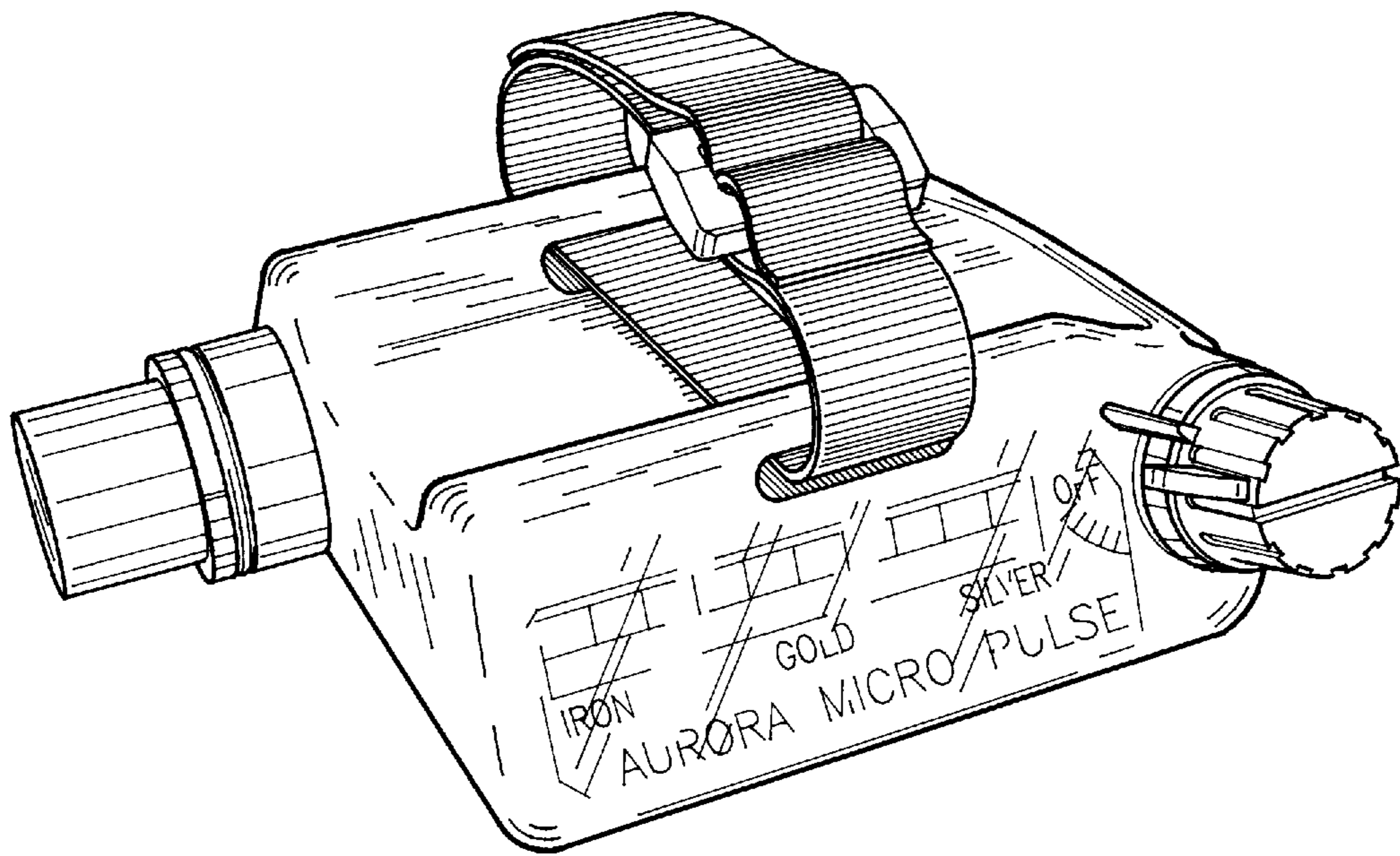


FIG. 8

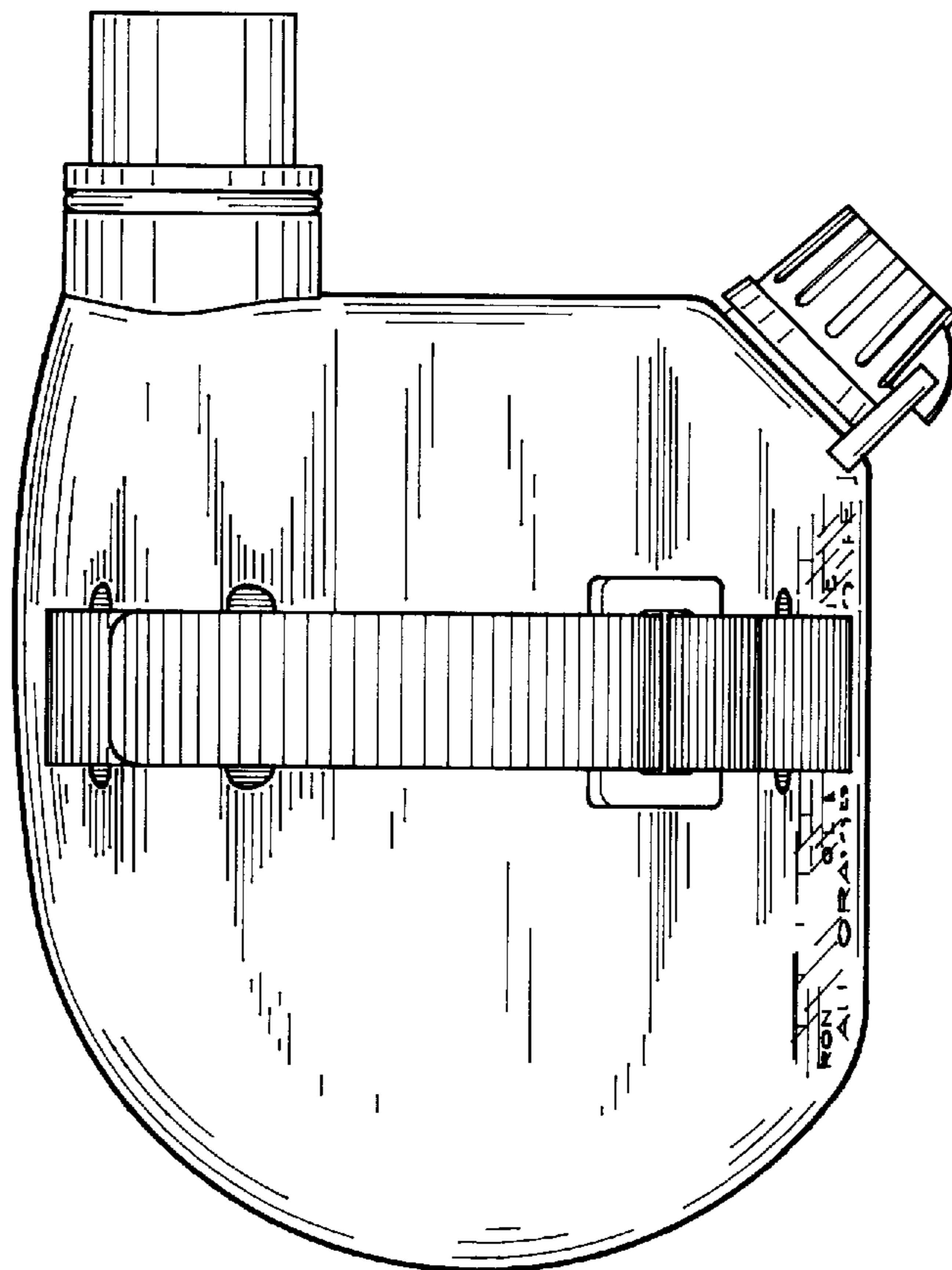


FIG. 9

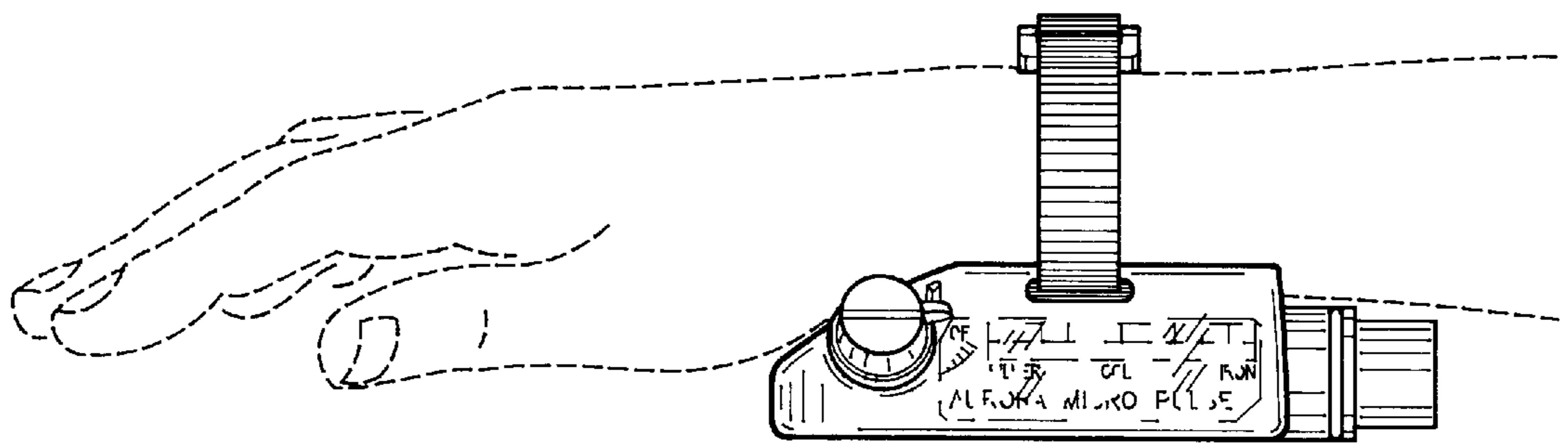


FIG. 10