



US00D399444S

United States Patent [19]
Ross, Jr.

[11] **Patent Number: Des. 399,444**

[45] **Date of Patent: **Oct. 13, 1998**

[54] **GAUGE HEAD**

[75] Inventor: **Herbert G. Ross, Jr.**, Argyle, Tex.

[73] Assignee: **Rochester Gauges, Inc.**, Dallas, Tex.

[**] Term: **14 Years**

[21] Appl. No.: **73,005**

[22] Filed: **Jun. 27, 1997**

[51] **LOC (6) Cl.** **10-04**

[52] **U.S. Cl.** **D10/103**

[58] **Field of Search** D10/96, 101, 102,
D10/103; 73/290 R, 305, 313, 317, 318;
116/204, 284, 56-62.4, 227, 264, 265, 271,
DIG. 7, DIG. 20

[56] **References Cited**

U.S. PATENT DOCUMENTS

D. 313,949	1/1991	Fekete	D10/101
D. 387,295	12/1997	Krikorian	D10/101
1,603,239	10/1926	Gregory	D10/101
5,072,618	12/1991	Taylor et al.	73/317
5,311,776	5/1994	Morris	73/306

OTHER PUBLICATIONS

Industrial Liquid Level Gauges (Brochure), Rochester Gauges, Inc., 12 pages.

Technical Data Sheet 49S—The “One” Gauge, Adjustable Liquid Level Gauge Rochester Gauges, Inc., 2 pages.

Technical Data Sheet 7200/B7200—Magnetic Liquid Level Gauges for L.P. Gas Service Rochester Gauges, Inc., May 27, 1992, 2 pages.

Primary Examiner—Antoine Duval Davis
Attorney, Agent, or Firm—Sidley & Austin

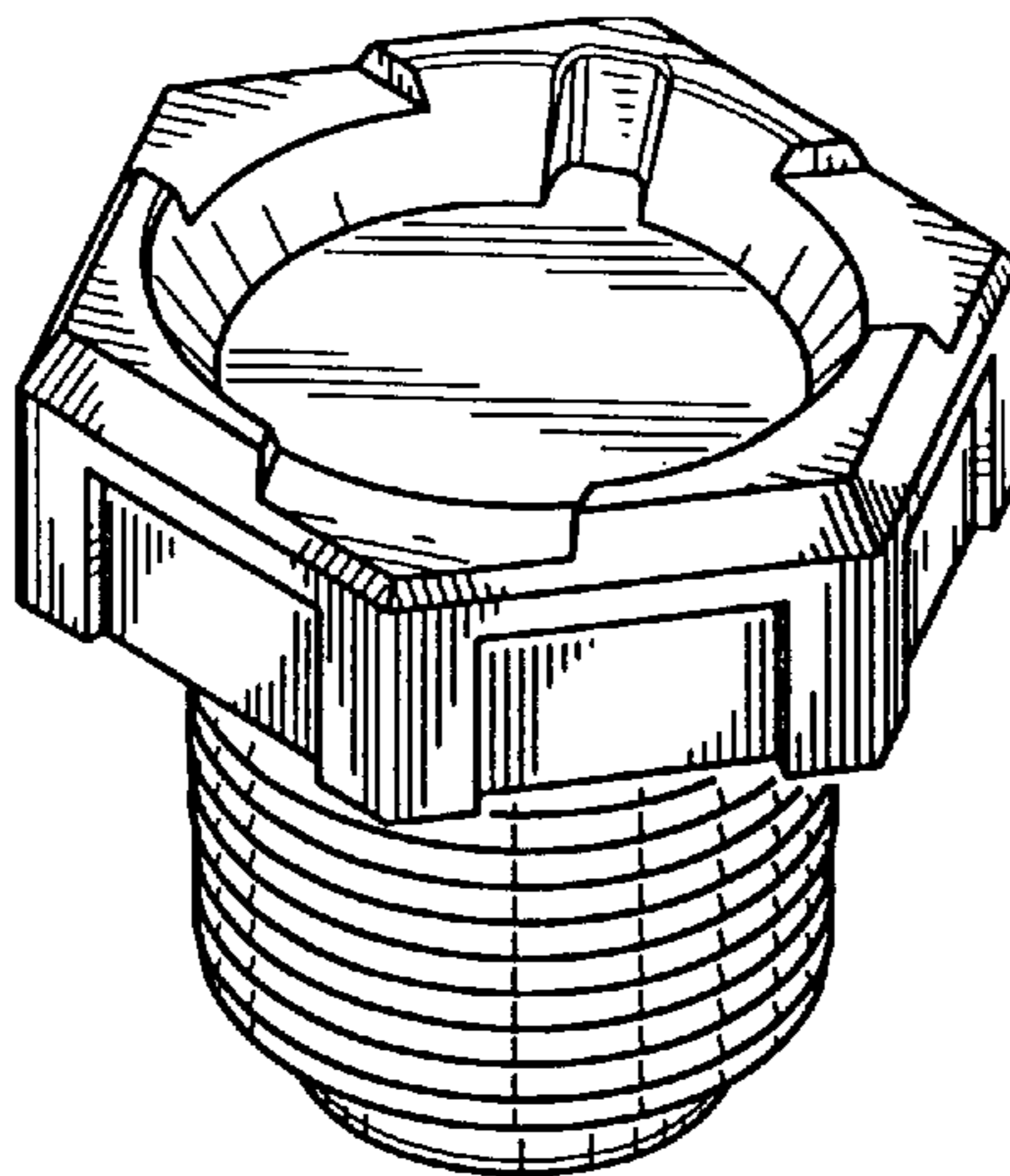
[57] **CLAIM**

The ornamental design for a gauge head, as shown and described.

DESCRIPTION

FIG. 1 is a perspective view of a first embodiment of the gauge head;
FIG. 2 is a front view of the gauge head of FIG. 1;
FIG. 3 is a back view of the gauge head of FIG. 1;
FIG. 4 is a side view of the gauge head of FIG. 1;
FIG. 5 is the opposite side view of the gauge head of FIG. 1;
FIG. 6 is a top view of the gauge head of FIG. 1;
FIG. 7 is a bottom view of the gauge head of FIG. 1;
FIG. 8 is a perspective view of a second embodiment of the gauge head;
FIG. 9 is a front view of the gauge head of FIG. 8;
FIG. 10 is a back view of the gauge head of FIG. 8;
FIG. 11 is a side view of the gauge head of FIG. 8;
FIG. 12 is the opposite side view of the gauge head of FIG. 8;
FIG. 13 is a top view of the gauge head of FIG. 8; and,
FIG. 14 is a bottom view of the gauge head of FIG. 8.

1 Claim, 2 Drawing Sheets



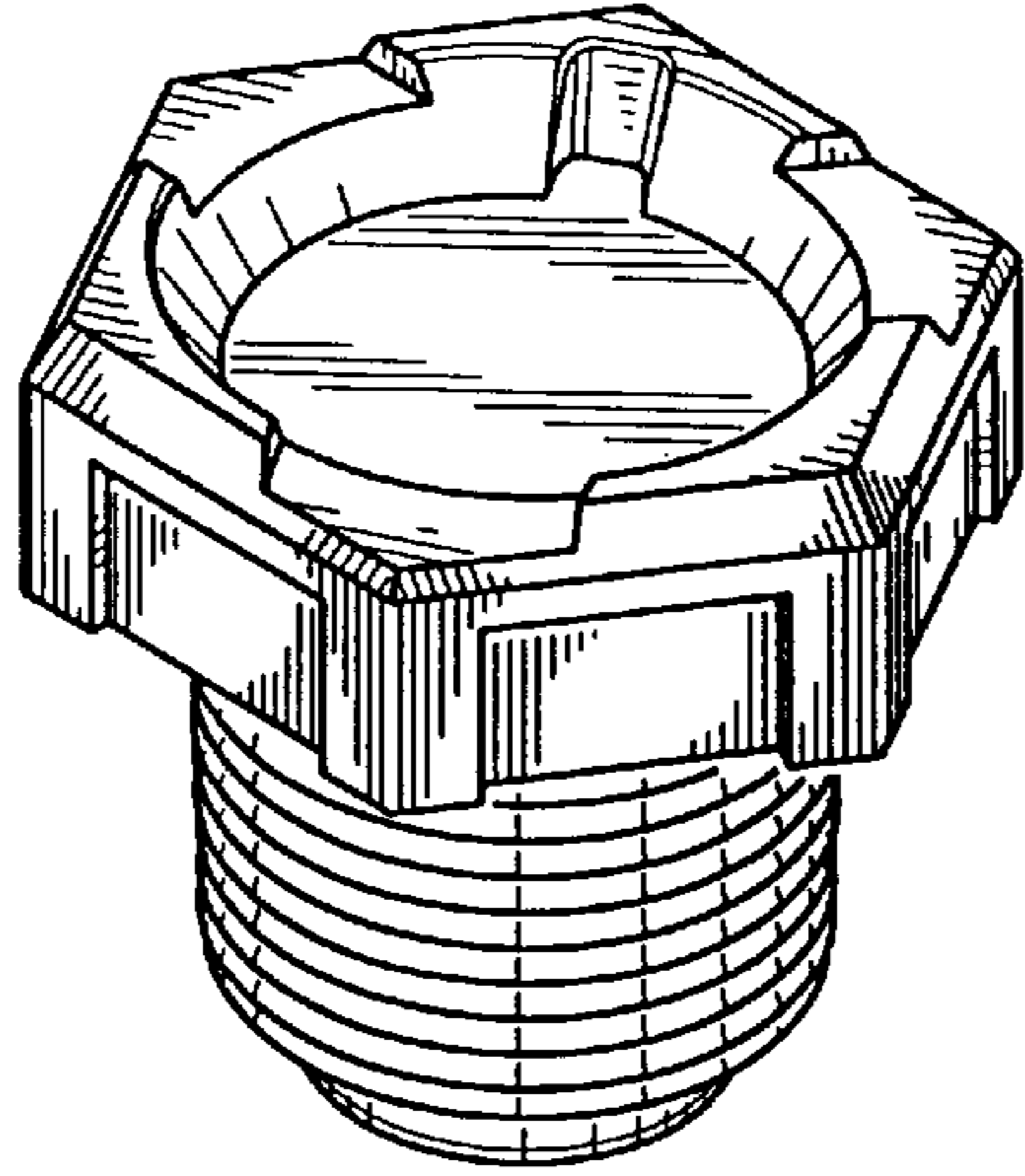


FIG. 1

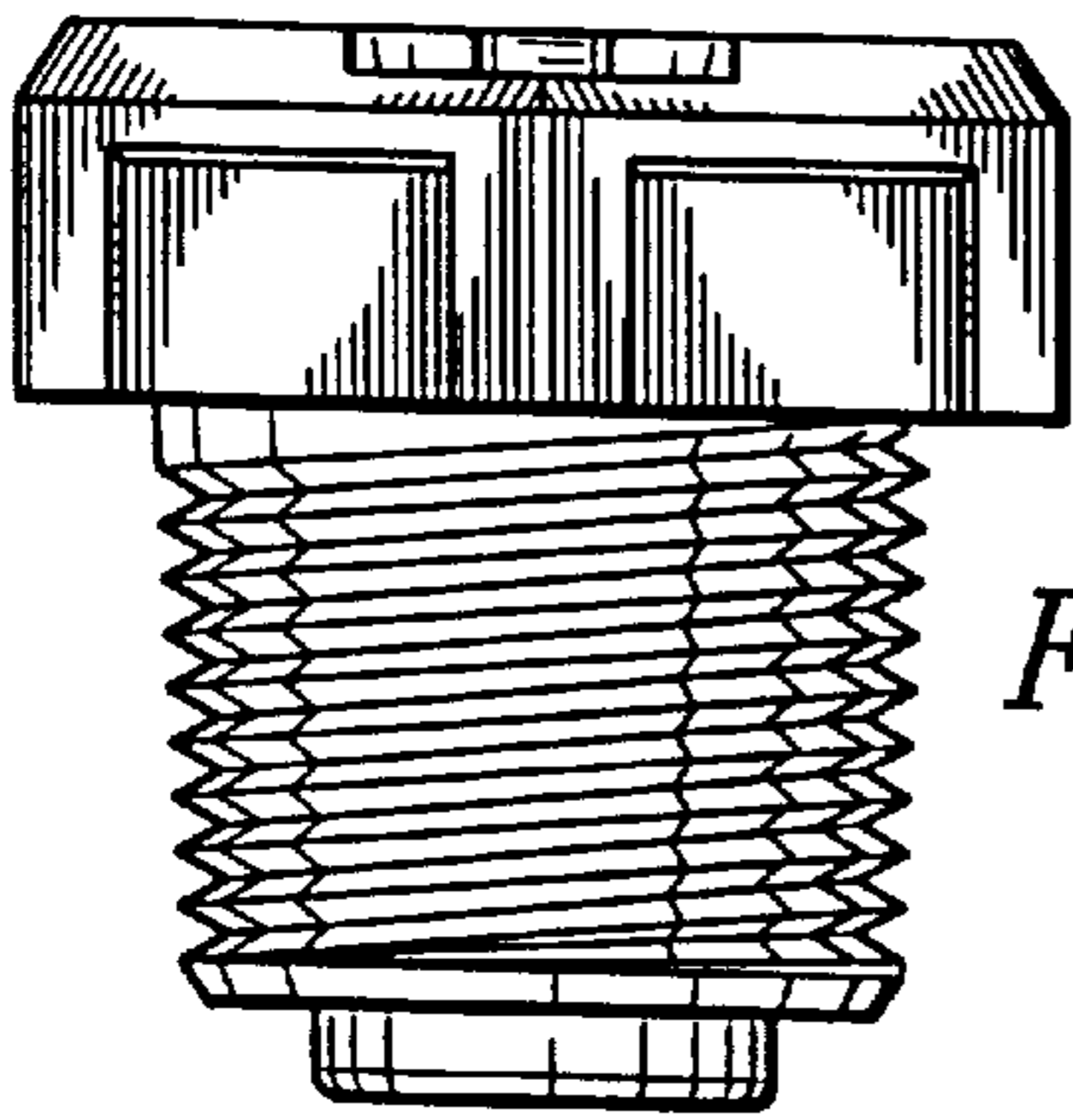


FIG. 2

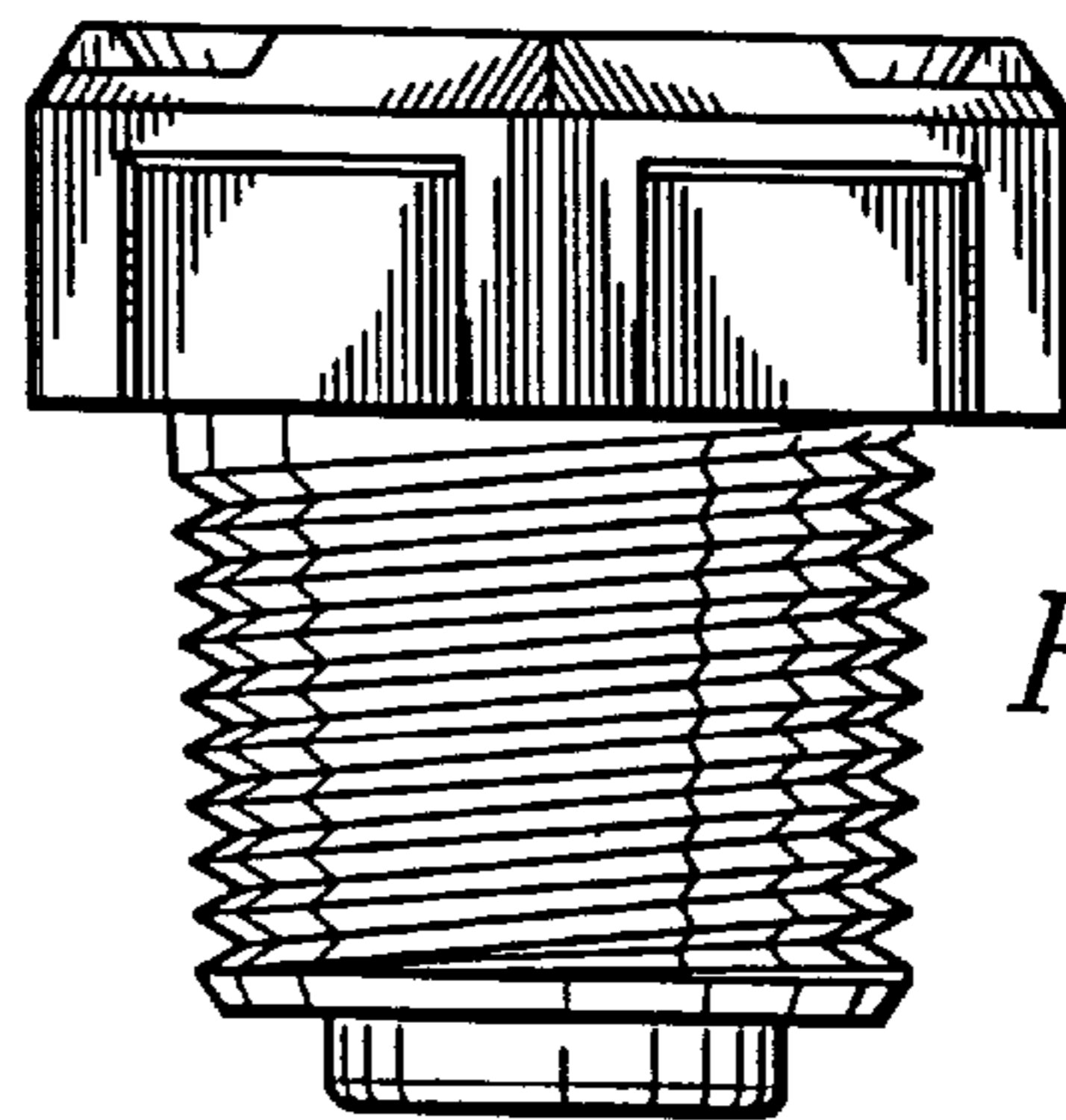


FIG. 3

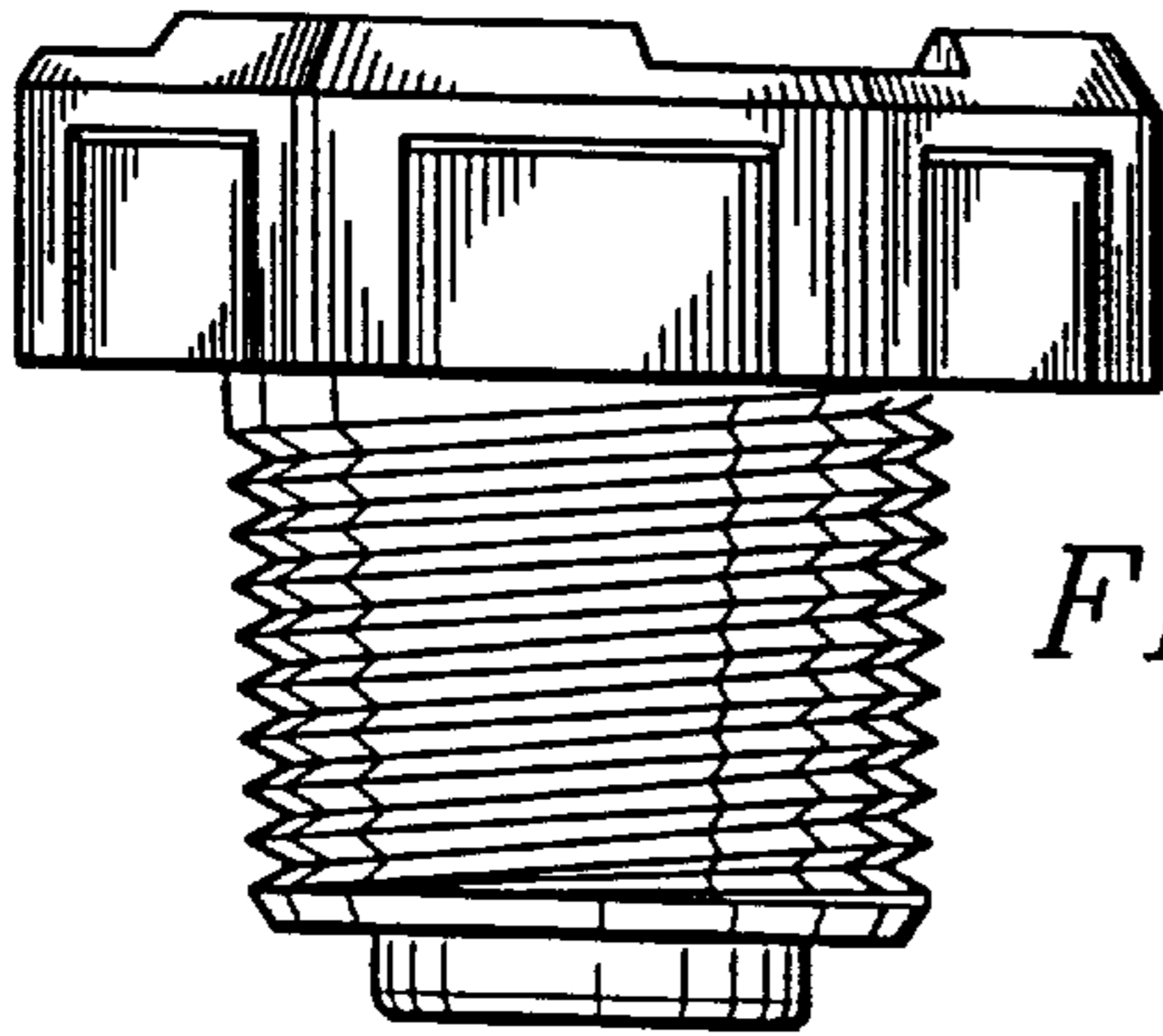


FIG. 4

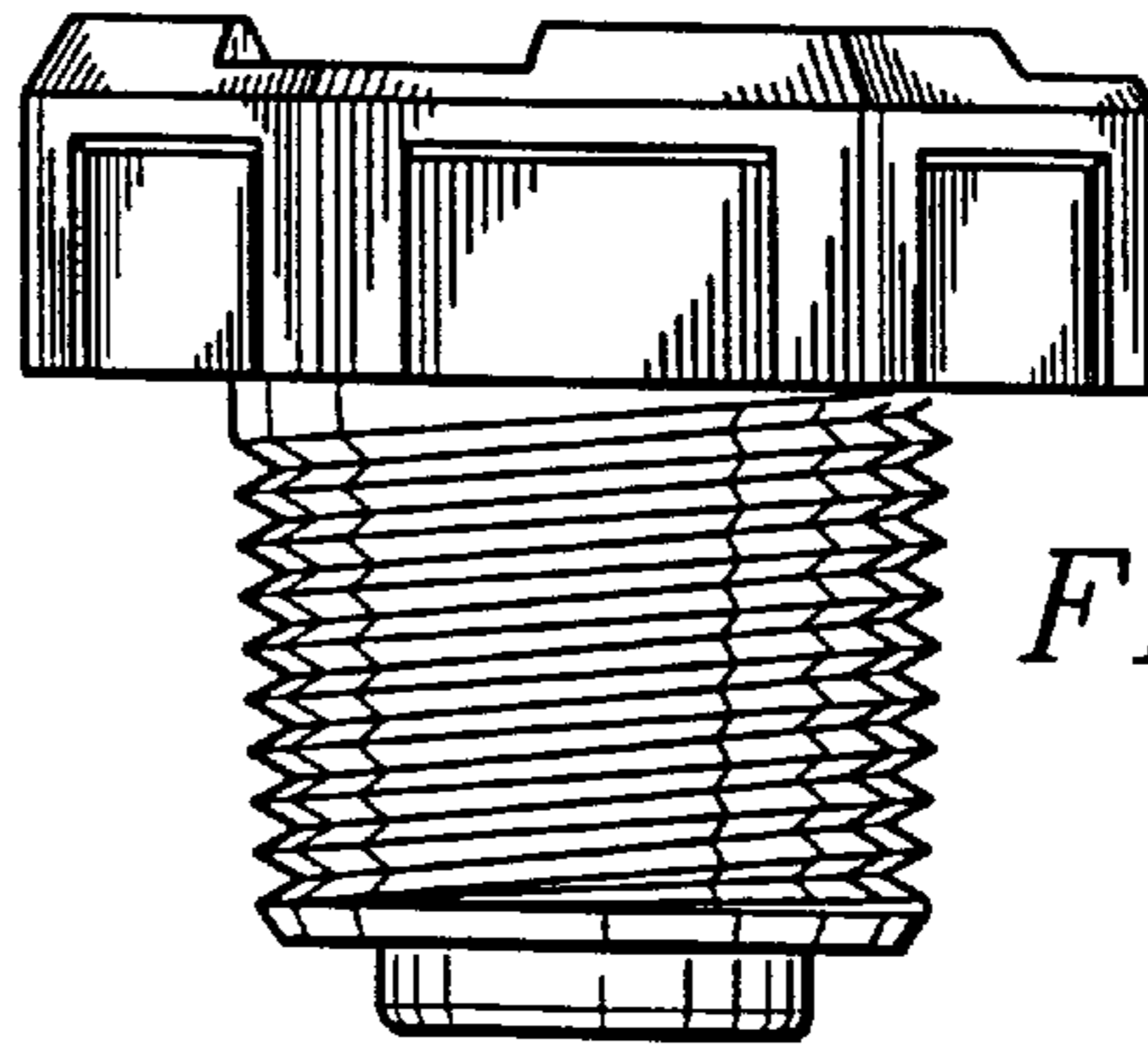


FIG. 5

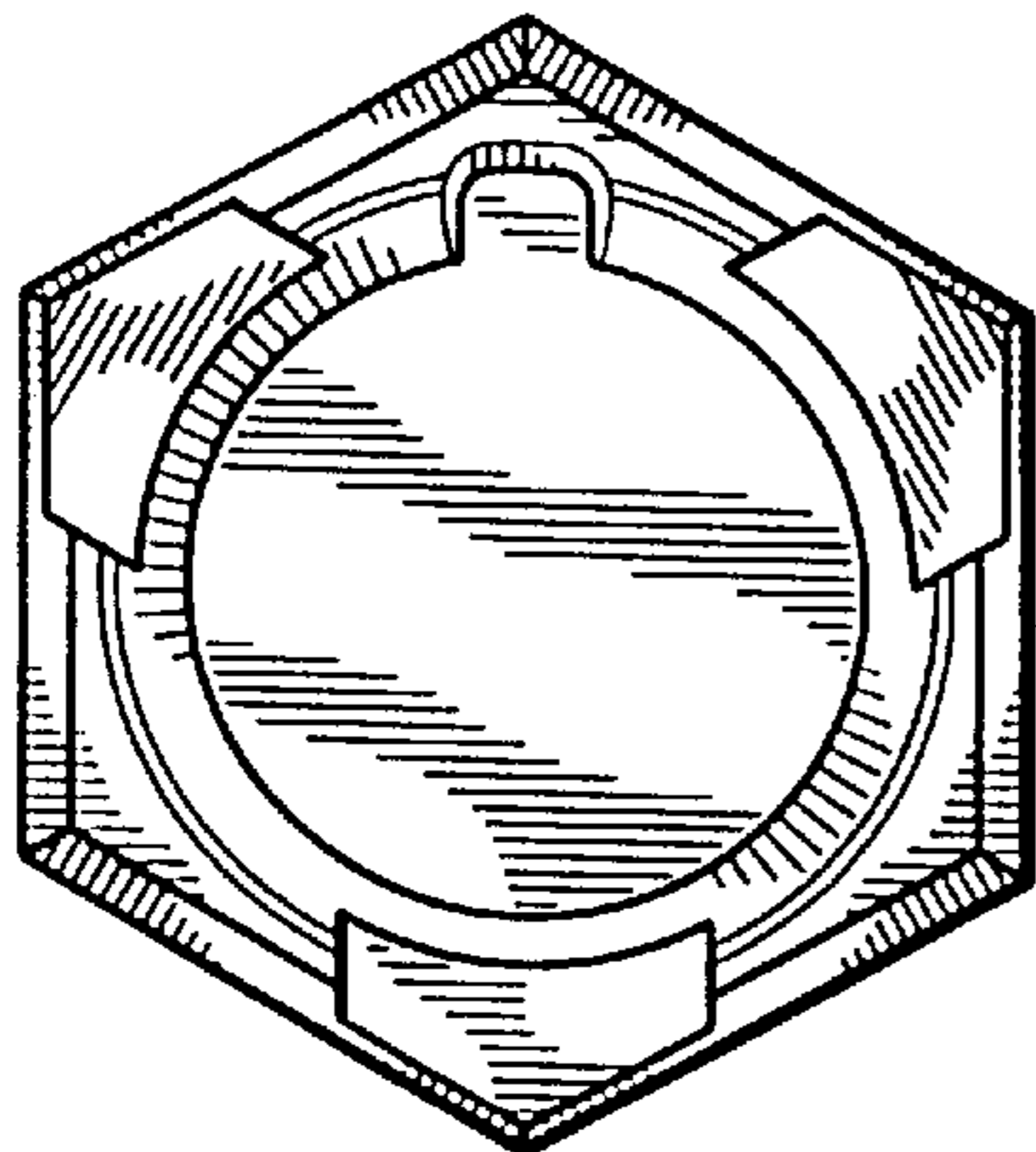


FIG. 6

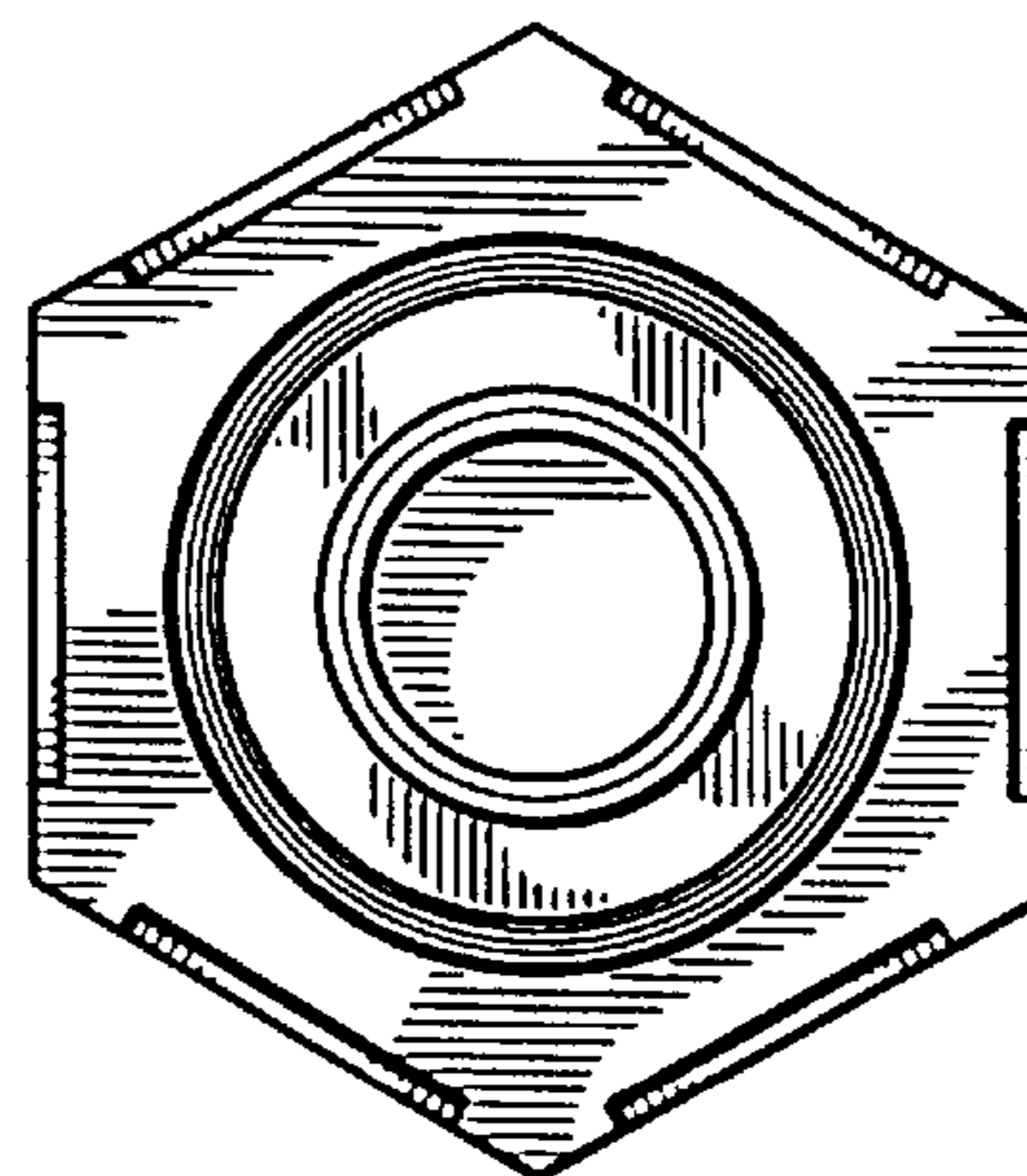


FIG. 7

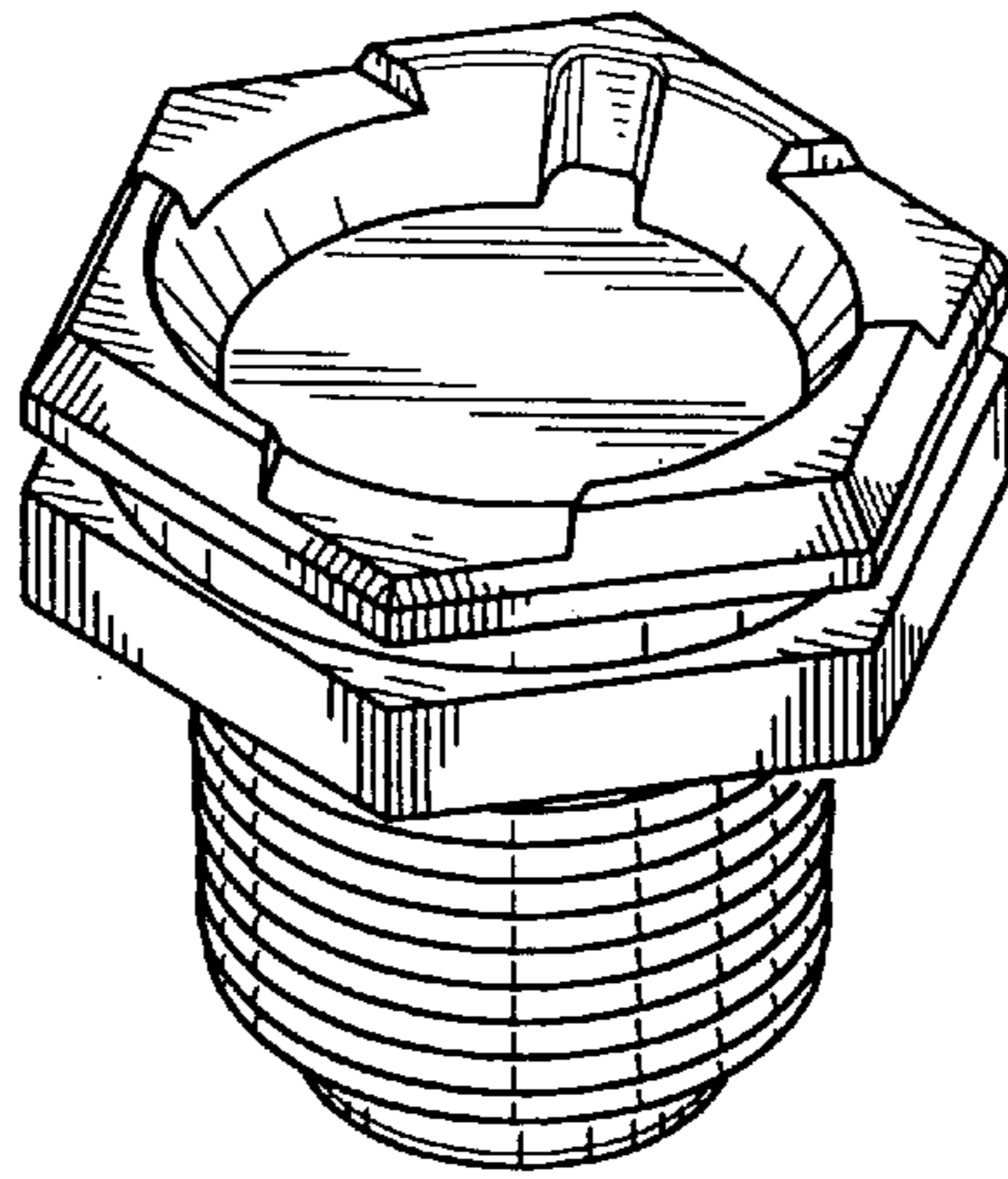


FIG. 8

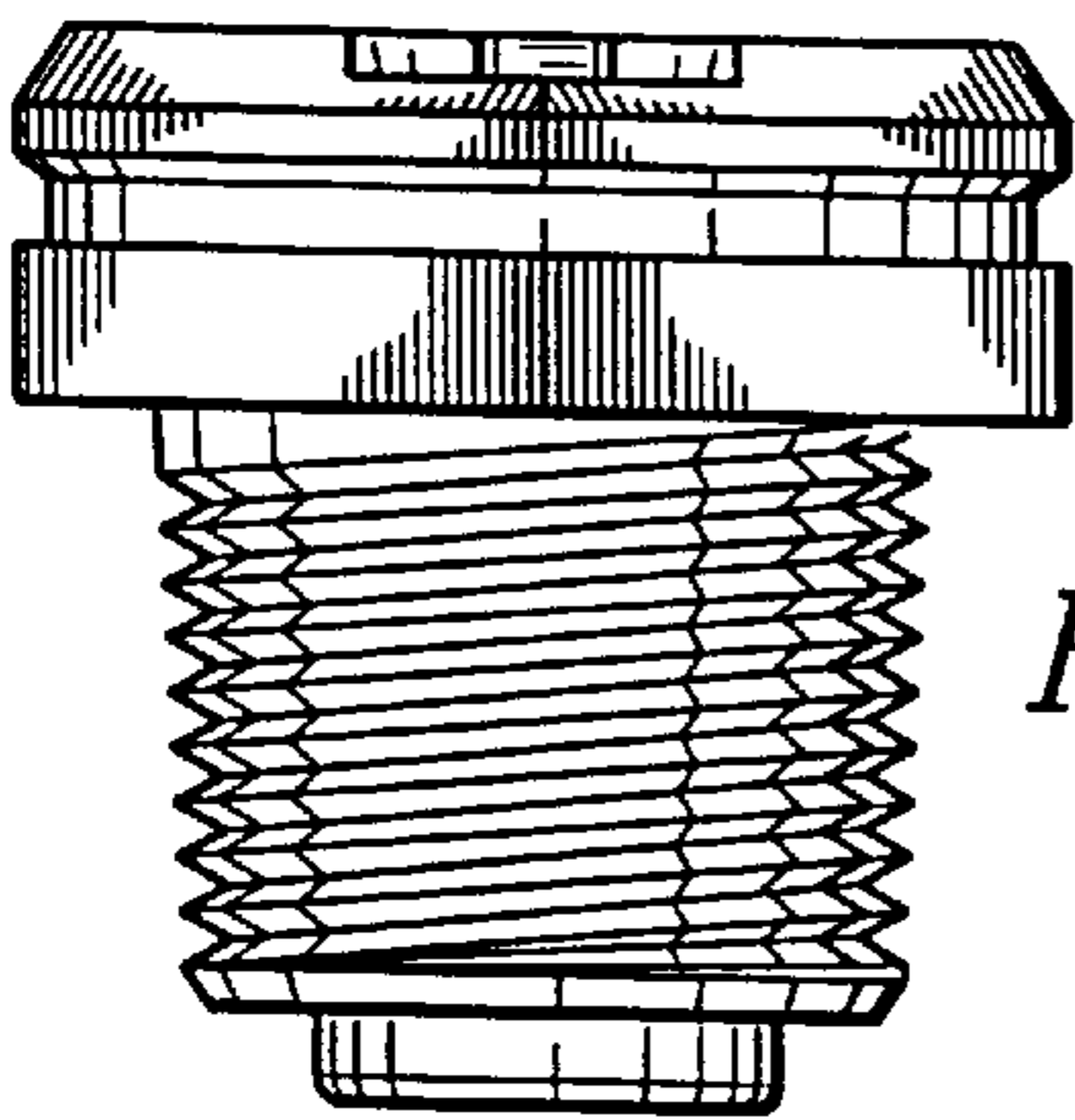


FIG. 9

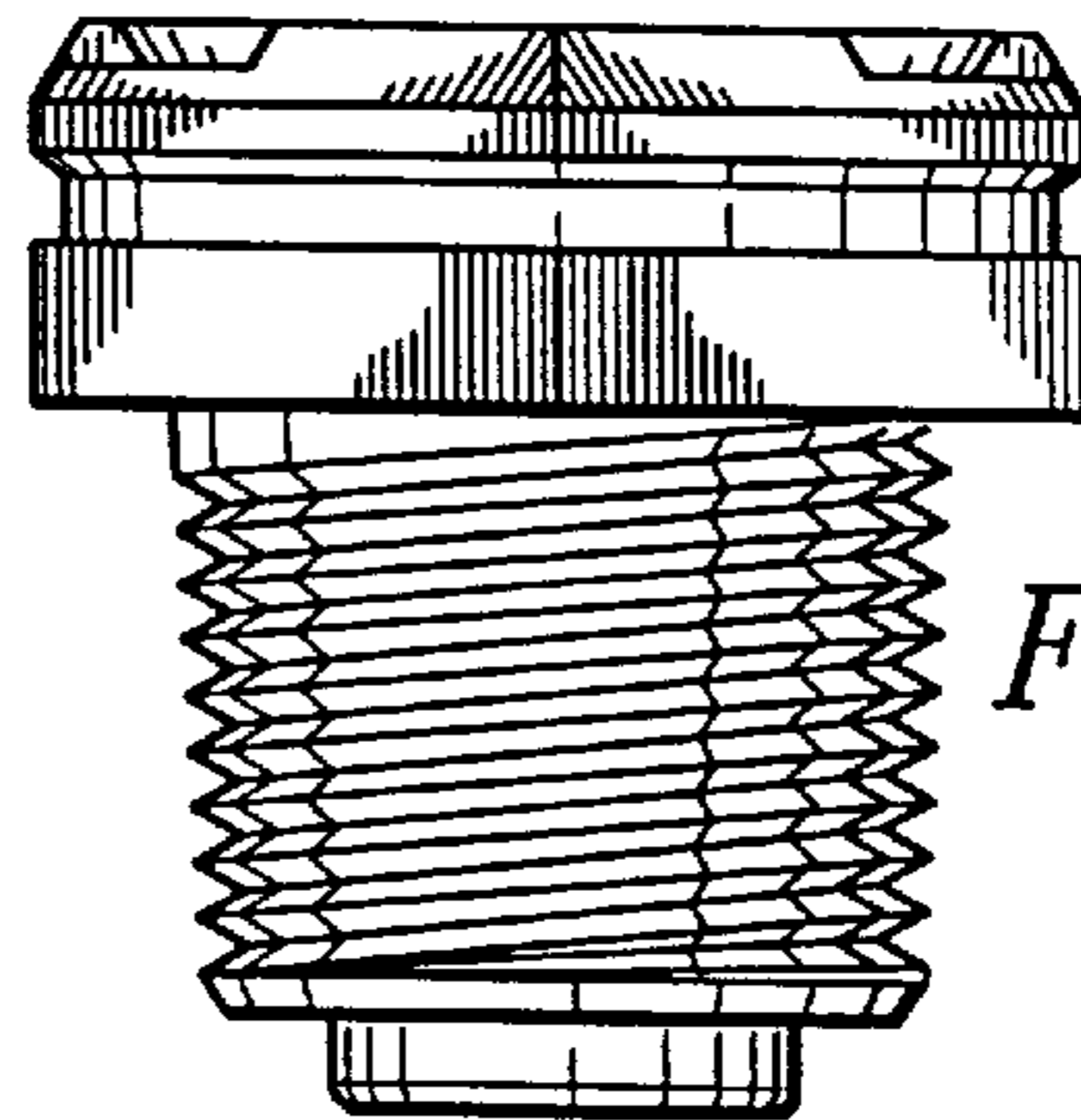


FIG. 10

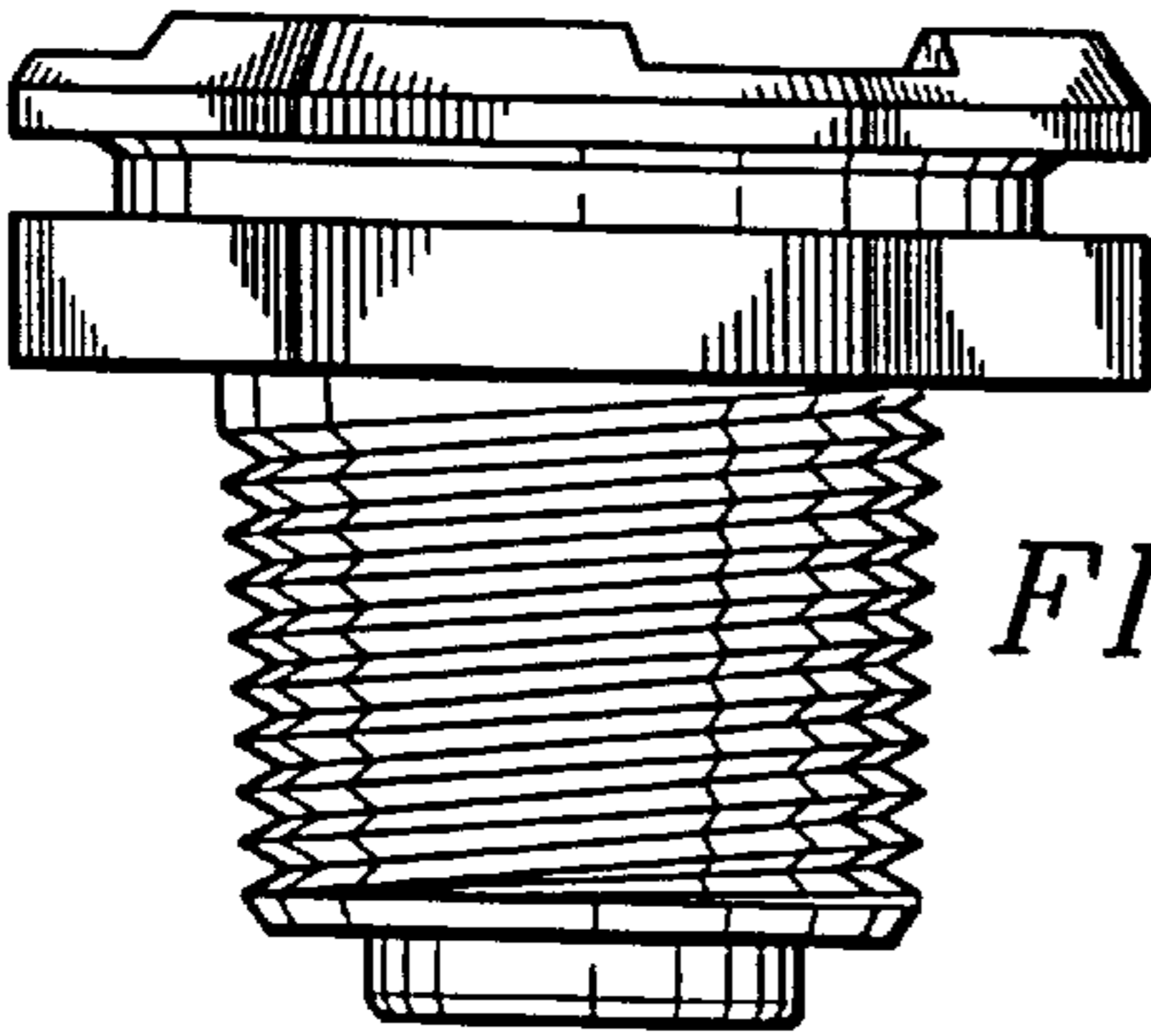


FIG. 11

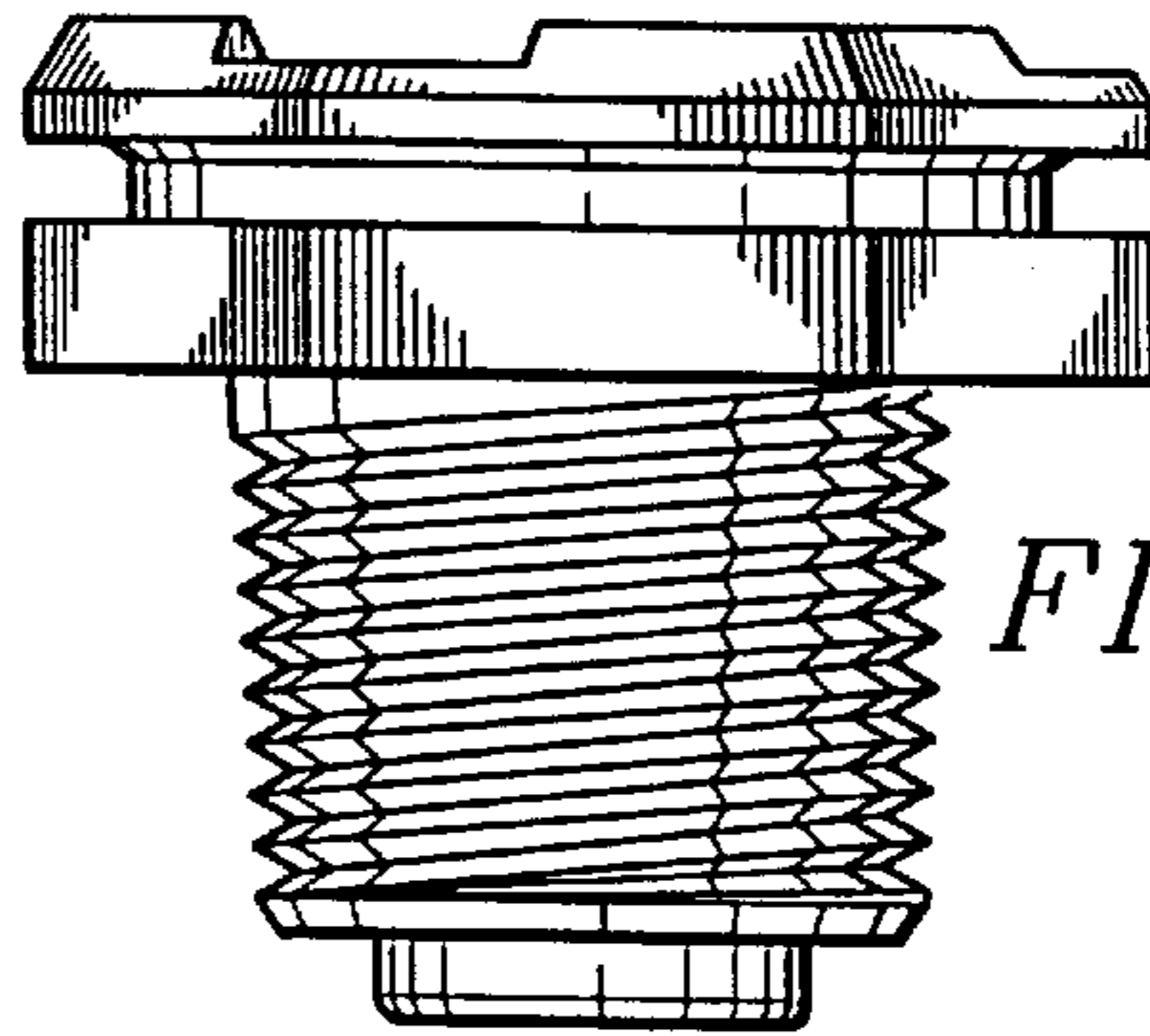


FIG. 12

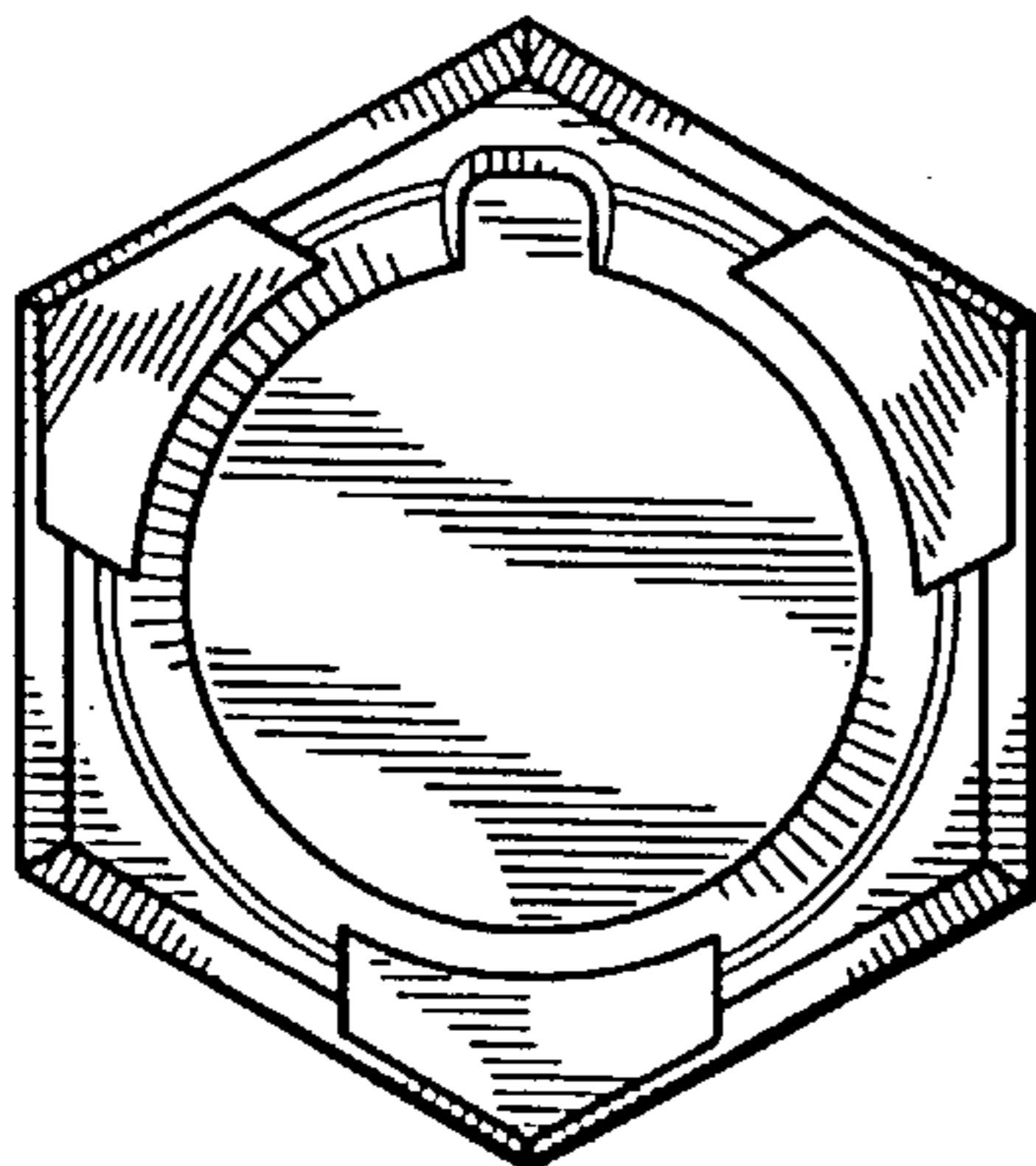


FIG. 13

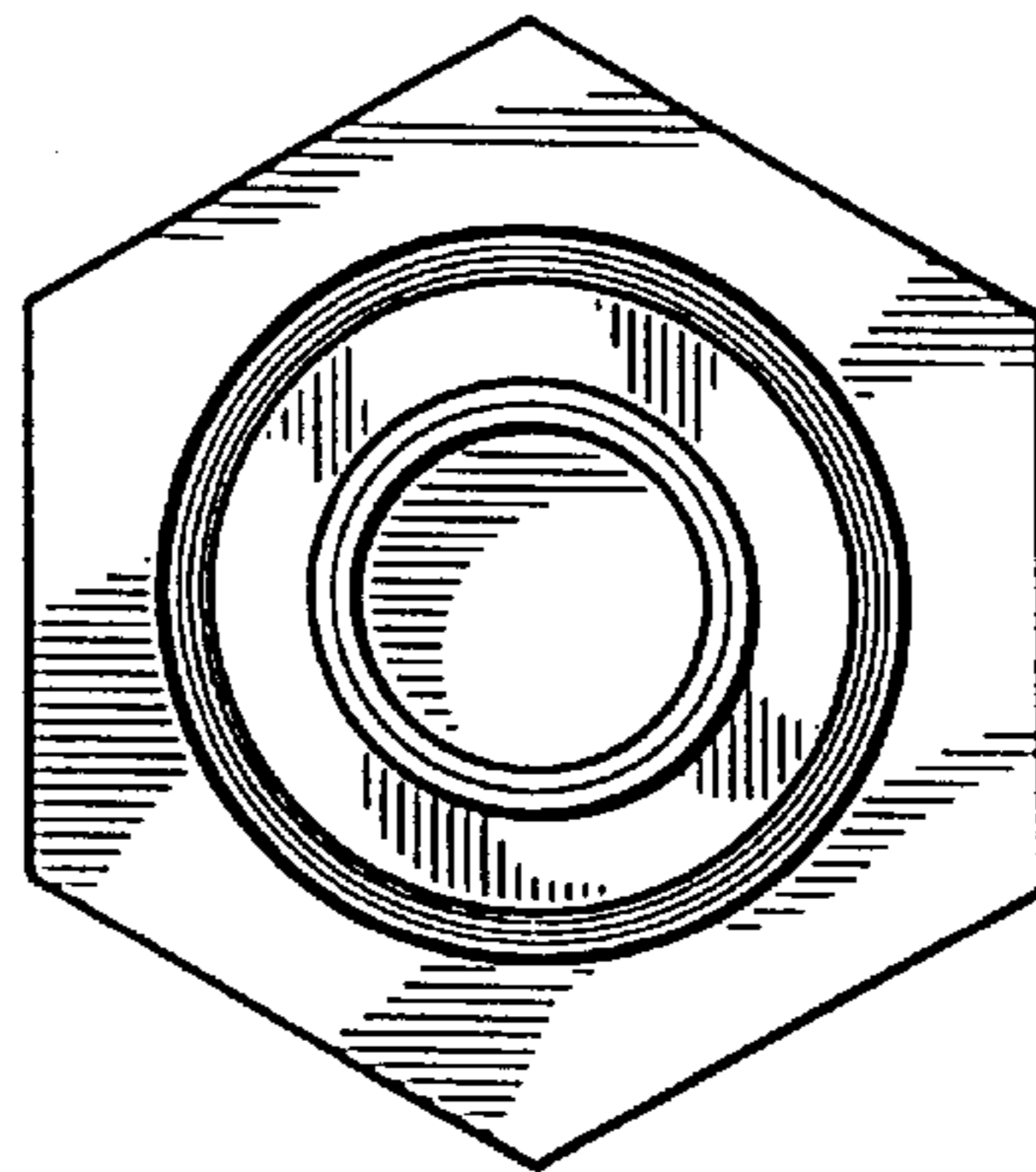


FIG. 14