



US00D399443S

United States Patent [19]

Stoica

[11] **Patent Number: Des. 399,443**

[45] **Date of Patent: **Oct. 13, 1998**

[54] **TRANSPARENT PROTECTIVE SHIELD FOR ANALYTICAL INSTRUMENT**

4,597,698	7/1986	Liebetau	408/710 X
4,864,466	9/1989	Gasparetto	200/304 X
5,638,619	6/1997	Bowling	83/DIG. 1 X

[76] Inventor: **Anthony Stoica**, 35 Commerce St., Springfield, N.J. 07081

Primary Examiner—Antoine Duval Davis
Attorney, Agent, or Firm—Cozzarelli & Mautone; Frank Cozzarelli, Jr.

[**] Term: **14 Years**

[21] Appl. No.: **78,653**

[57] CLAIM

[22] Filed: **Oct. 28, 1997**

The ornamental design for a transparent protective shield for analytical instrument.

[51] **LOC (6) Cl.** **10-04**

DESCRIPTION

[52] **U.S. Cl.** **D10/74; D10/103**

[58] **Field of Search** D10/74, 103; D13/173, D13/177, 199; D14/199; D25/52; 220/DIG. 21; 200/304, 305; 83/DIG. 1; 73/324; 324/156, 158.1; 250/315.1; 408/710; 451/454; 422/50, 62, 104, 117

FIG. 1 is a front perspective view of the transparent protective shield for analytical instrument(s) showing my design; FIG. 2 is a front elevational view thereof; FIG. 3 is a rear elevational view thereof; FIG. 4 is a right side elevational view thereof; FIG. 5 is a left side elevational view thereof; FIG. 6 is a top view thereof; and, FIG. 7 is a bottom view thereof.

[56] References Cited

U.S. PATENT DOCUMENTS

D. 311,383 10/1990 Falck D10/103 X

1 Claim, 3 Drawing Sheets

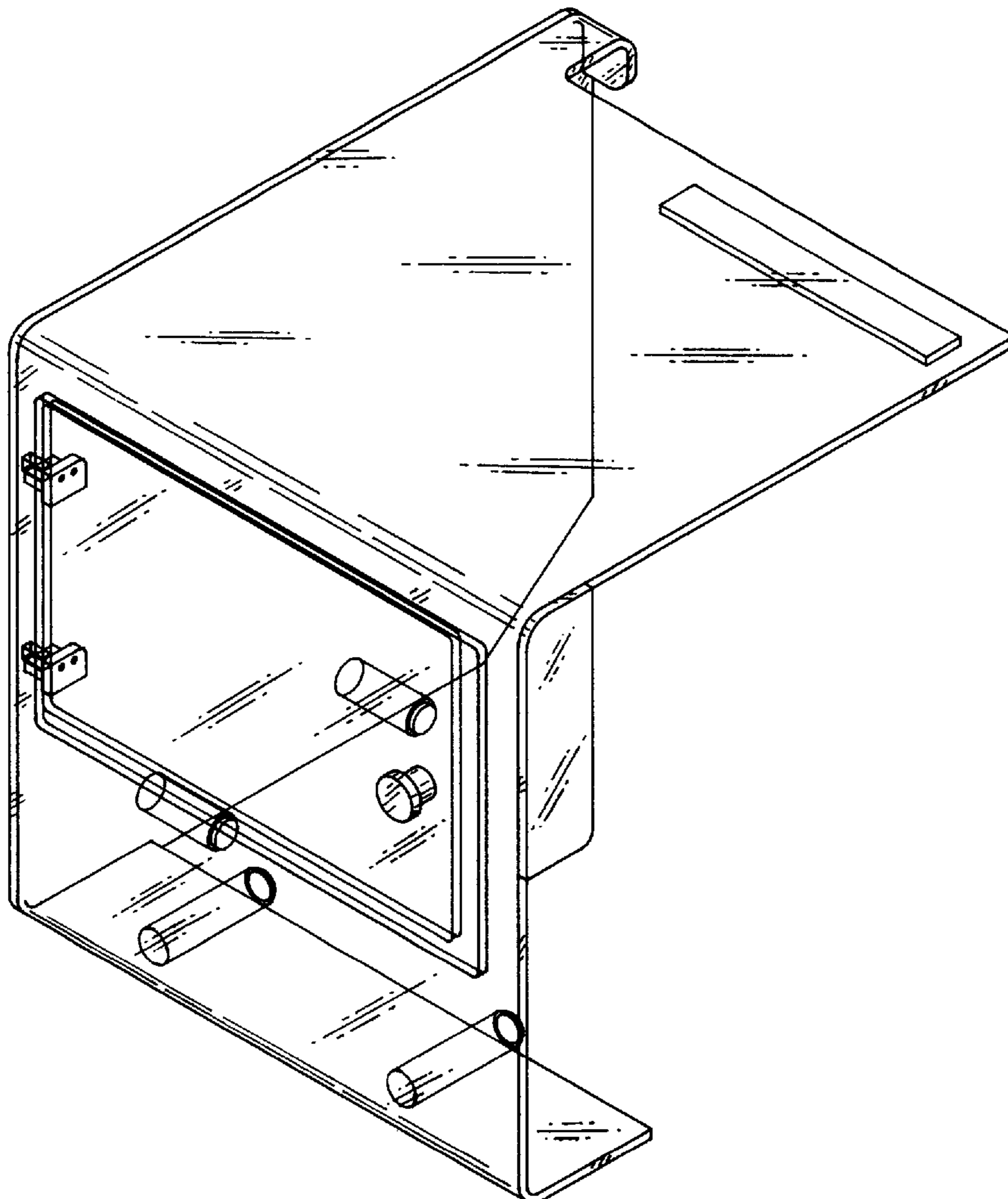


FIG. 1

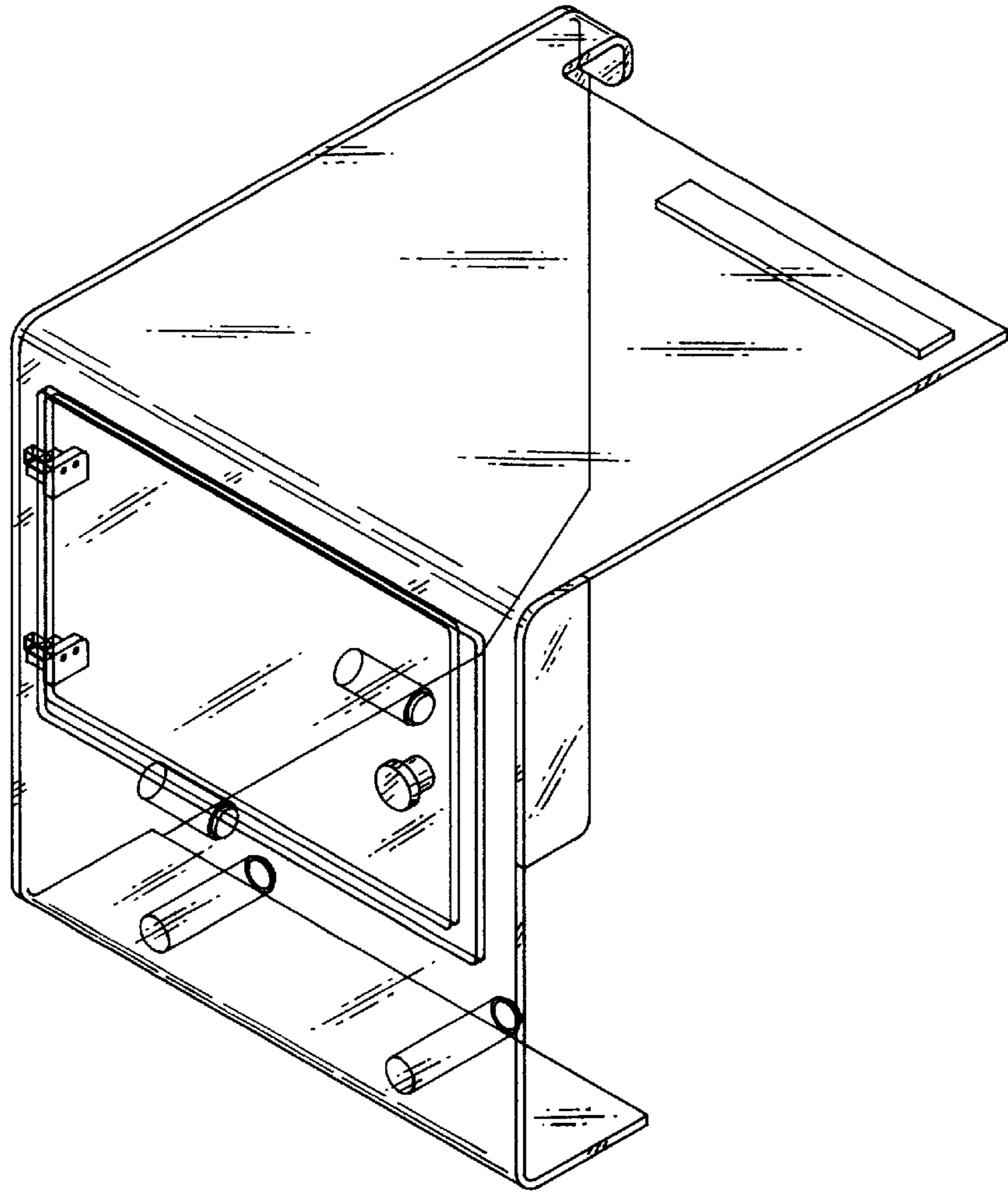


FIG. 2

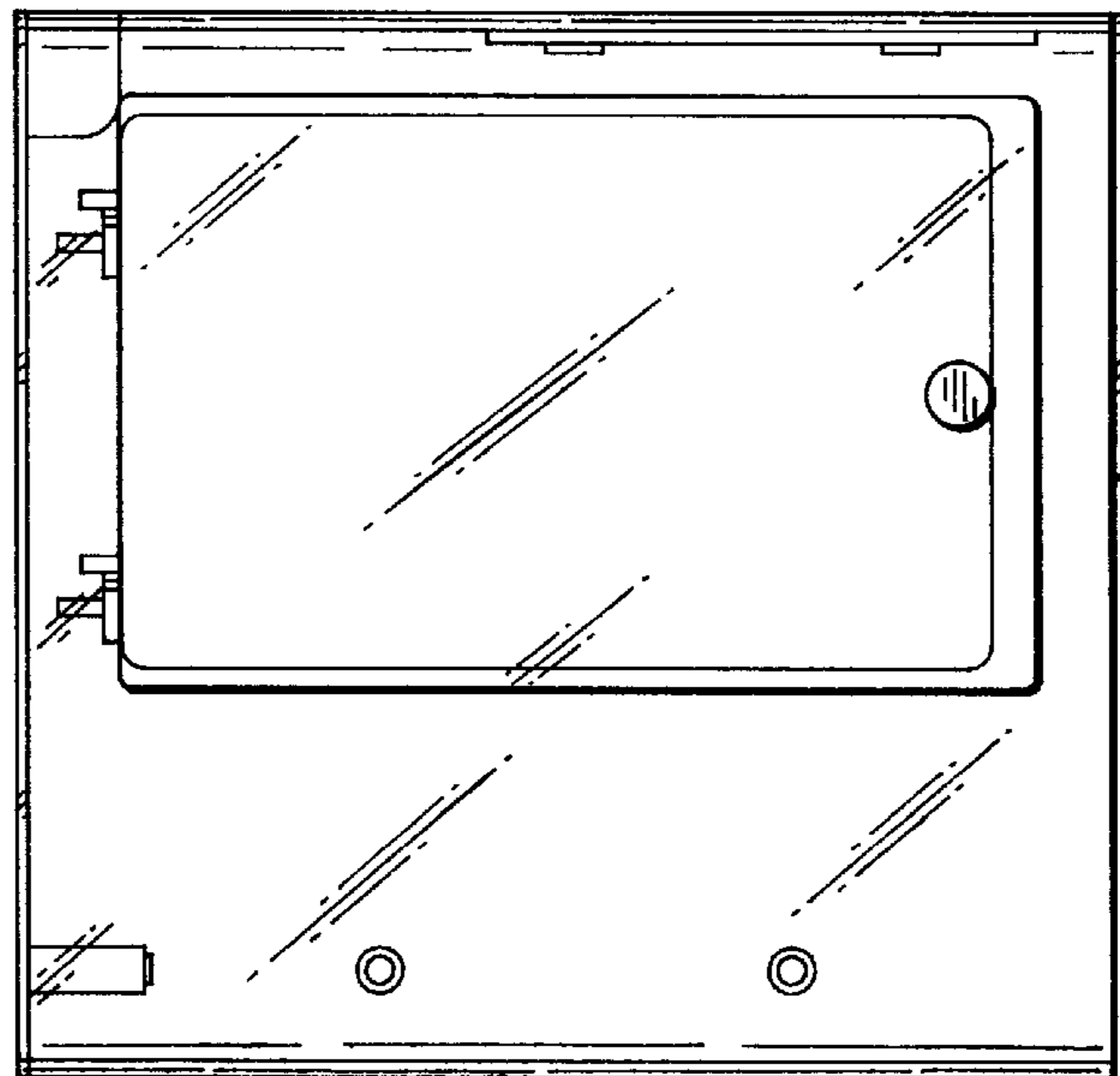


FIG. 3

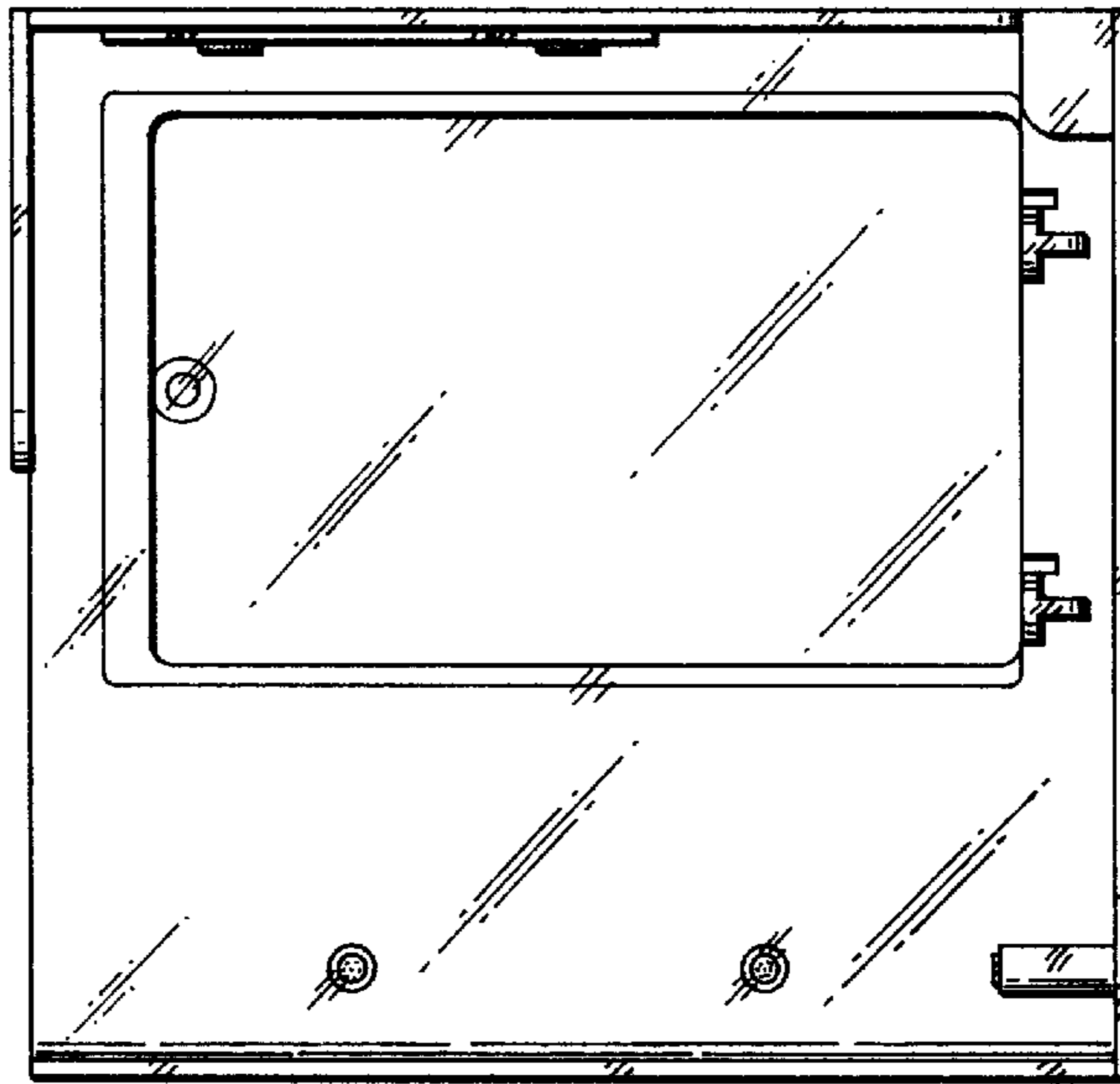


FIG. 4

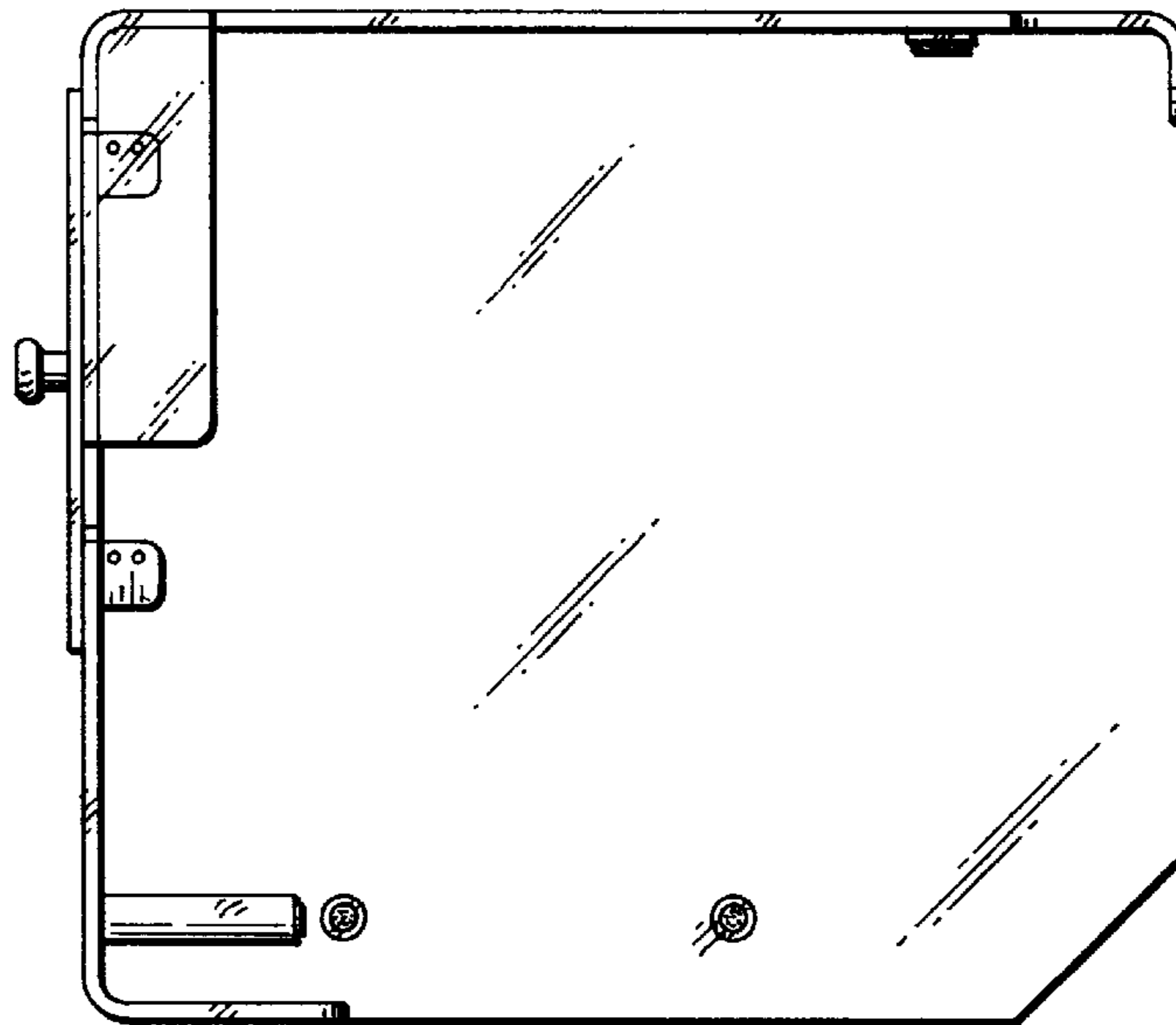


FIG. 5

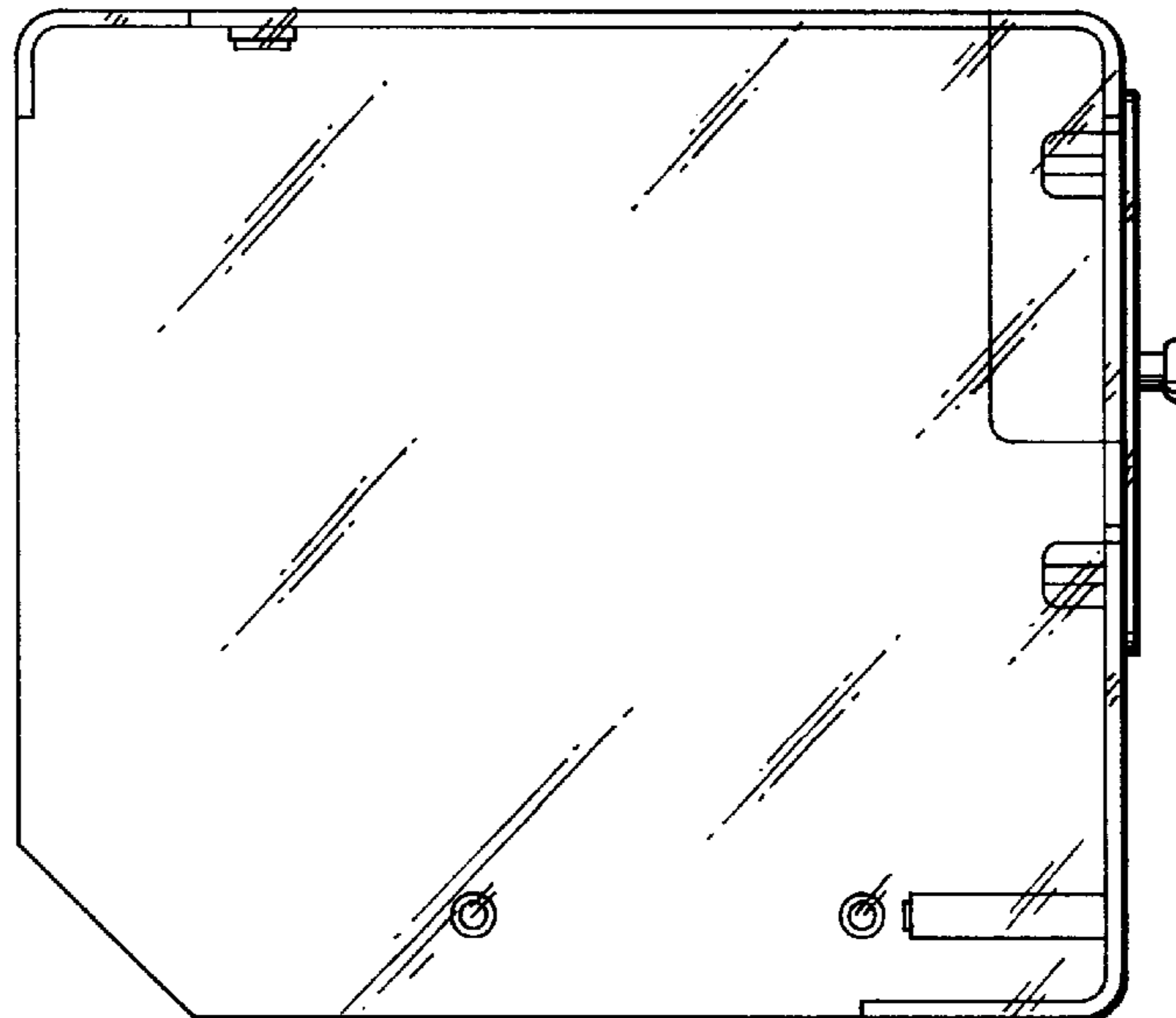


FIG. 6

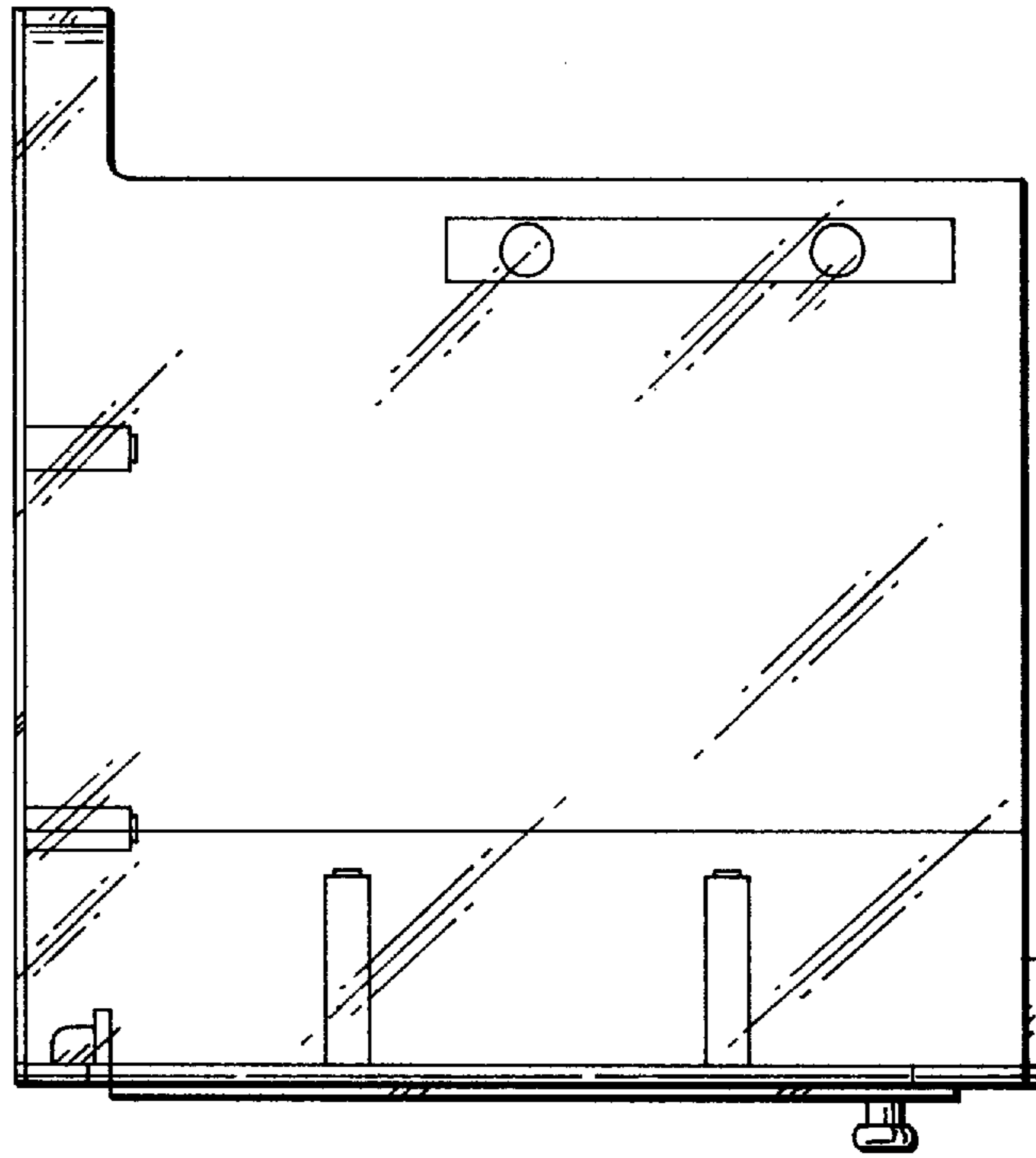


FIG. 7

