



US00D399437S

**United States Patent** [19]  
**Hill**

[11] **Patent Number: Des. 399,437**

[45] **Date of Patent: \*\*Oct. 13, 1998**

[54] **COMPACT, FOLDABLE LEVELING APPARATUS**

[75] Inventor: **Carl U. Hill**, Longmont, Colo.

[73] Assignee: **DH Fairways, LLC**, Longmont, Colo.

[\*\*] Term: **14 Years**

[21] Appl. No.: **78,557**

[22] Filed: **Oct. 30, 1997**

[51] **LOC (6) Cl.** ..... **10-04**

[52] **U.S. Cl.** ..... **D10/69**

[58] **Field of Search** ..... D10/69; 33/365,  
33/370-375, 377, 378, 379, 389

[56] **References Cited**

**U.S. PATENT DOCUMENTS**

- D. 332,754 1/1993 Weldy et al. .... D10/69
- D. 339,076 9/1993 Mussamatxa ..... D10/69
- 4,813,149 3/1989 Herkimer ..... D10/69 X

*Primary Examiner*—Antoine Duval Davis  
*Attorney, Agent, or Firm*—Harold A. Burdick

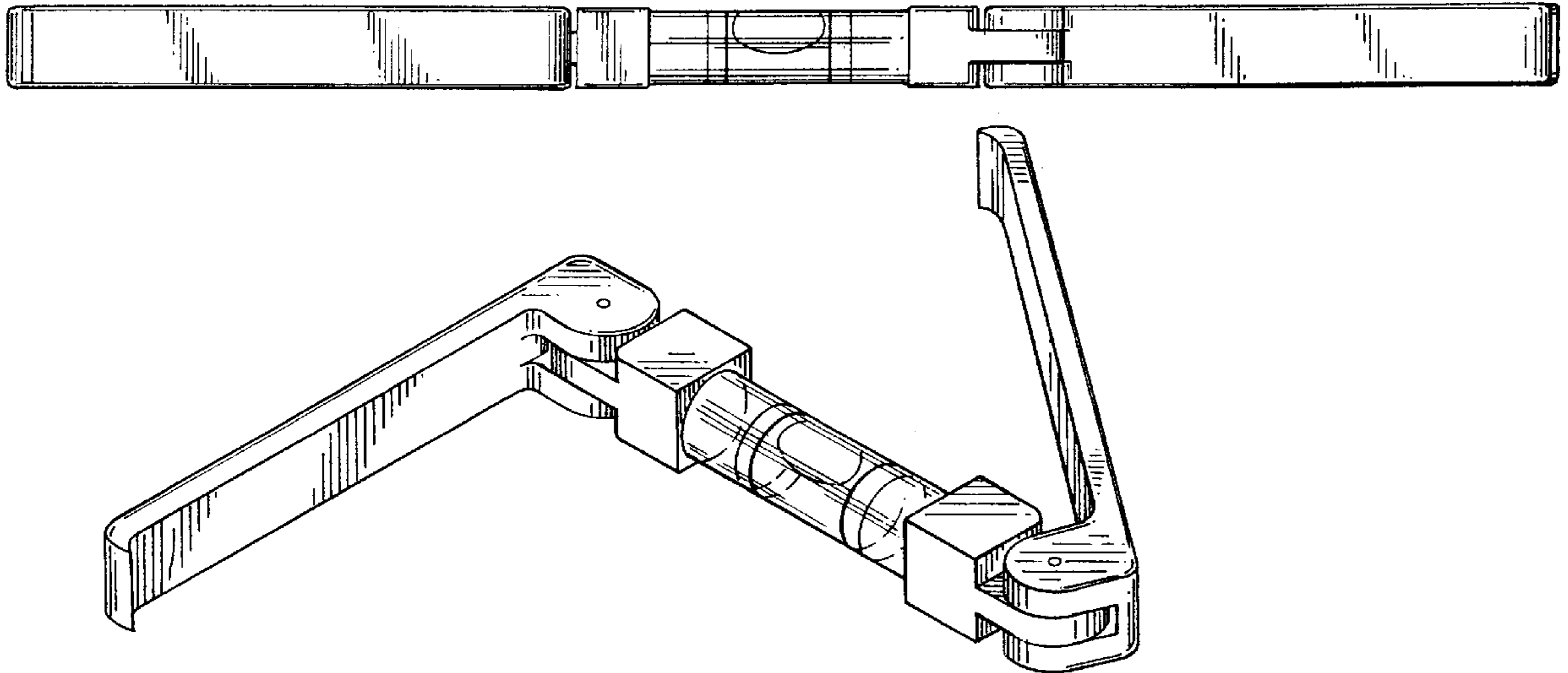
[57] **CLAIM**

The ornamental design for a compact, foldable leveling apparatus, as shown.

**DESCRIPTION**

FIG. 1 is a first side view of the leveling apparatus of this invention in its fully unfolded condition for use;  
 FIG. 2 is an opposite side view (relative to FIG. 1 ) of the apparatus;  
 FIG. 3 is a top view of the leveling apparatus of this invention shown in FIG. 1 ;  
 FIG. 4 is a bottom view of the apparatus shown in FIG. 1 ;  
 FIG. 5 is a first end view of the apparatus shown in FIG. 1 ;  
 FIG. 6 in an opposite end view (relative to FIG. 5 ) of the apparatus;  
 FIG. 7 is a perspective view of the leveling apparatus of this invention with each leg thereof in a partly folded condition;  
 FIG. 8 is a side view of the leveling apparatus of this invention in its fully folded condition for storage;  
 FIG. 9 is an end view of the apparatus as shown in FIG. 8 ;  
 and,  
 FIG. 10 is a top view of the apparatus as shown in FIG. 8 .

**1 Claim, 2 Drawing Sheets**



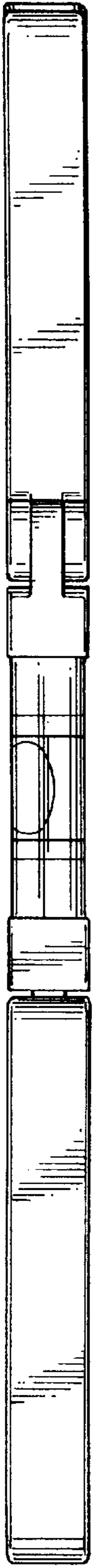


FIG. 1

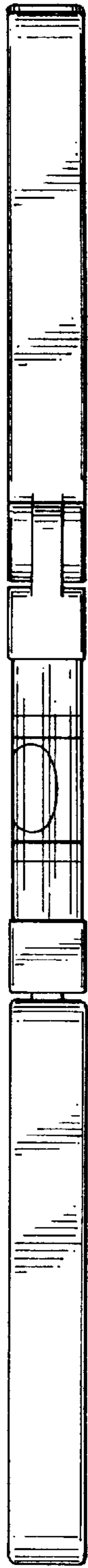


FIG. 2

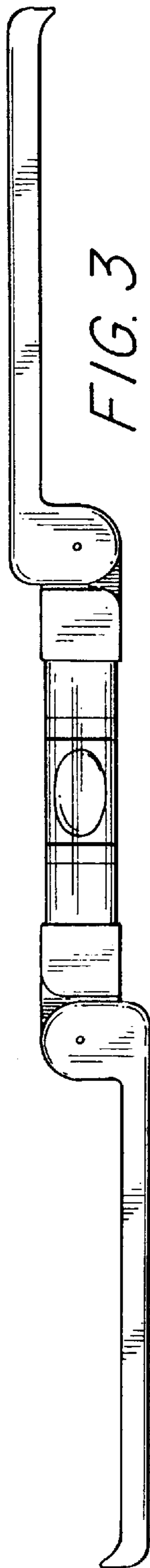


FIG. 3

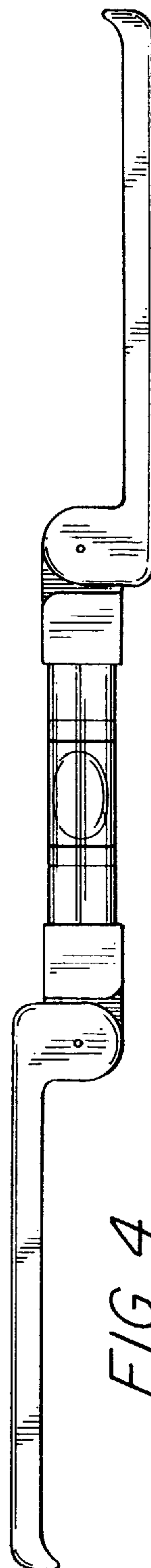


FIG. 4



FIG. 5

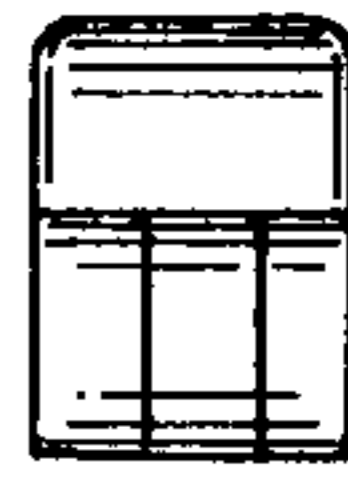


FIG. 6

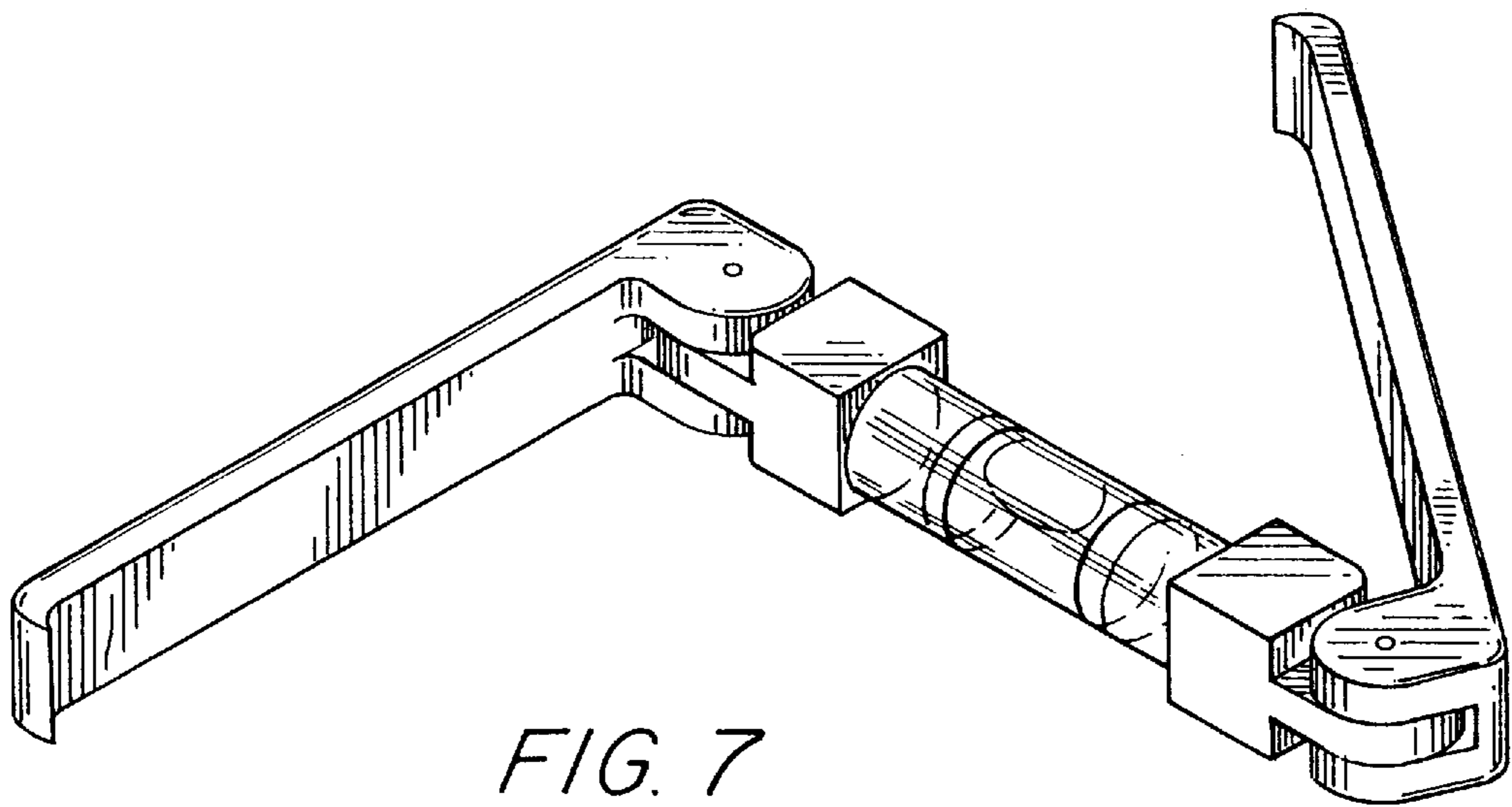


FIG. 7



FIG. 8

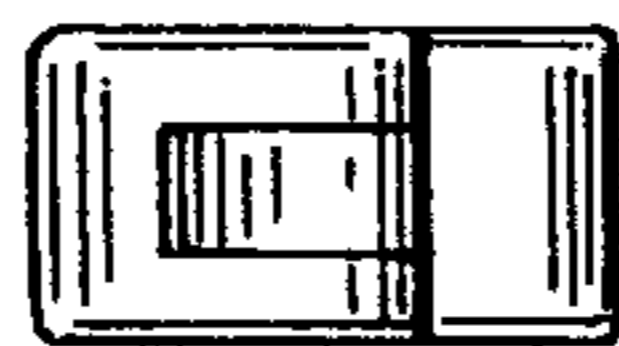


FIG. 9

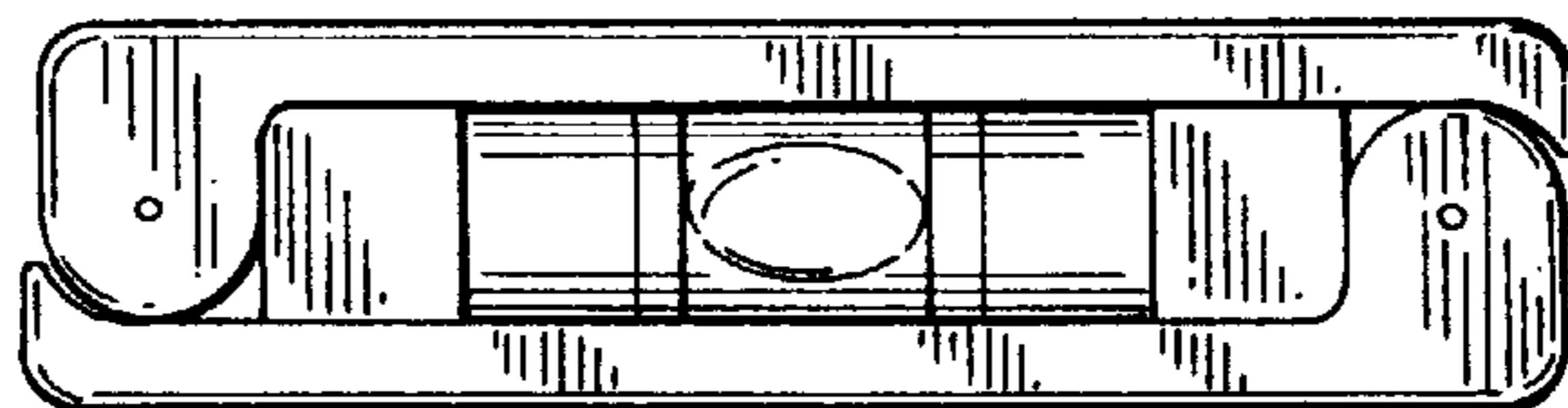


FIG. 10