



US00D399436S

# United States Patent [19] Schwarz

[11] **Patent Number: Des. 399,436**

[45] **Date of Patent: \*\*Oct. 13, 1998**

[54] **TEMPERATURE INDICATOR**

[76] Inventor: **Thom Schwarz**, 2622 Union, St.  
Joseph, Mo. 64506

[\*\*] Term: **14 Years**

[21] Appl. No.: **79,525**

[22] Filed: **Nov. 19, 1997**

[51] **LOC (6) Cl. .... 10-04**

[52] **U.S. Cl. .... D10/57; D10/52**

[58] **Field of Search .... D10/52, 53, 57;**  
137/351, 625.4; 374/163, 170, 147, 149,  
156, 209, 148

[56] **References Cited**

**U.S. PATENT DOCUMENTS**

D. 317,129	5/1991	Beranek et al. ....	D10/57
D. 336,252	6/1993	Klose .....	D10/52
3,791,409	2/1974	Rush .....	137/597
3,870,080	3/1975	Landwehr .....	137/636.4
3,952,594	4/1976	McMahan .....	73/349
5,199,790	4/1993	Pawelzik et al. ....	374/147
5,282,683	2/1994	Brett .....	374/150

5,320,137 6/1994 Huang ..... 137/551  
5,542,449 8/1996 Huang ..... 137/551

*Primary Examiner*—Antoine Duval Davis  
*Attorney, Agent, or Firm*—David L. Volk

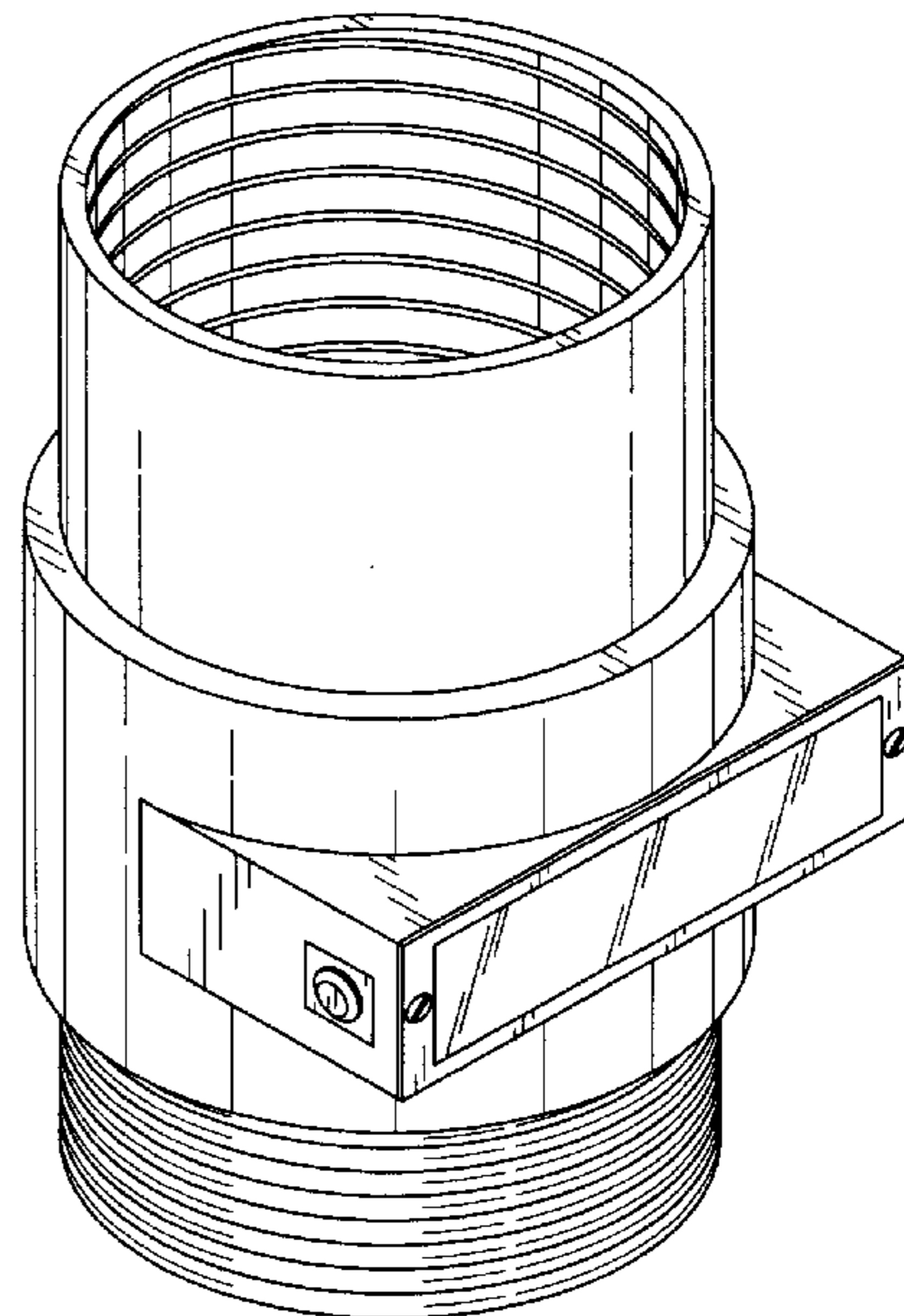
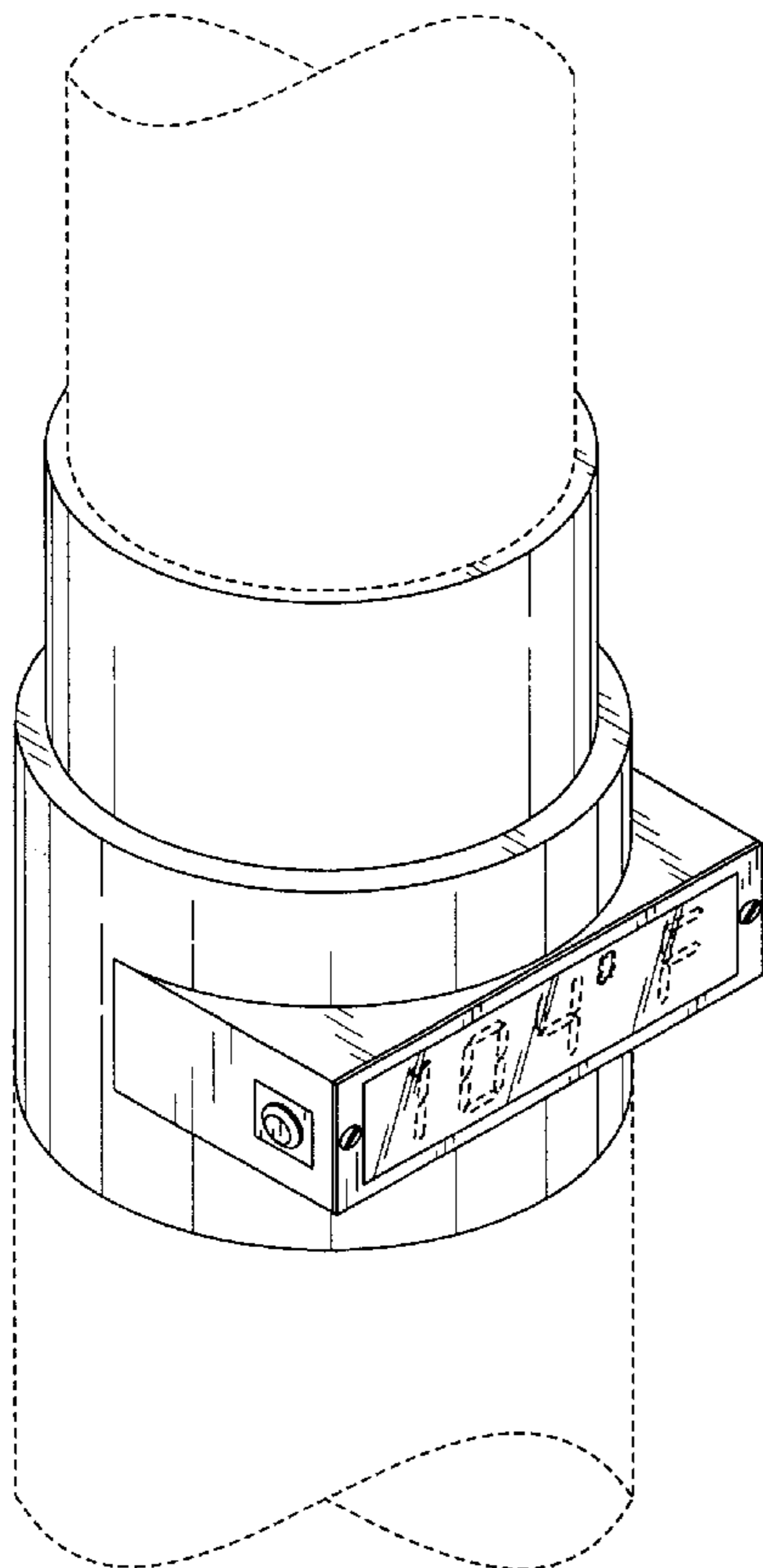
[57] **CLAIM**

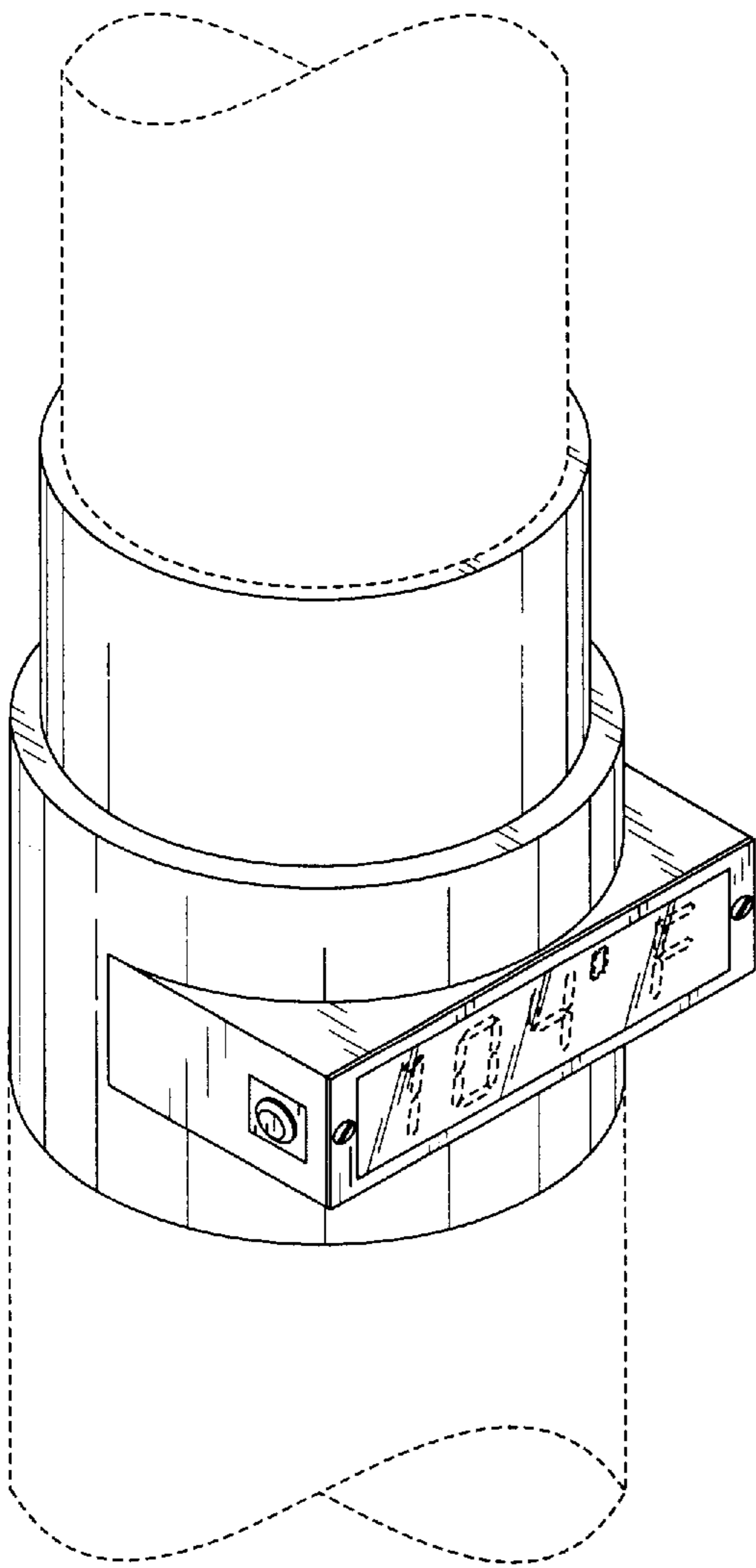
The ornamental design for a temperature indicator, as shown and described.

**DESCRIPTION**

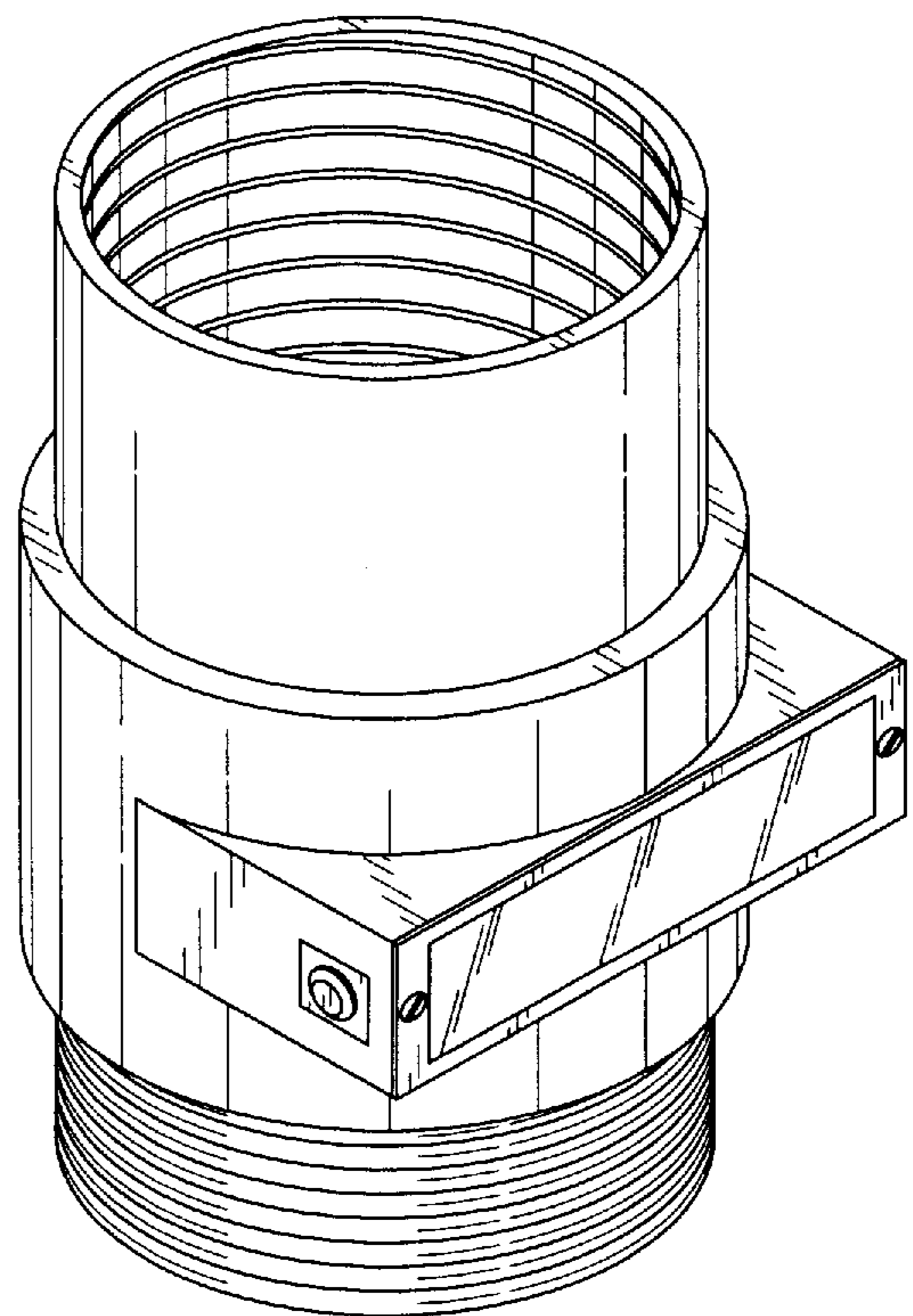
FIG. 1 is a perspective view of a temperature indicator showing my new design;  
FIG. 2 is a perspective view thereof, shown without the environmental structure;  
FIG. 3 is a right side elevational view thereof;  
FIG. 4 is a left side elevational view thereof;  
FIG. 5 is a front elevational view thereof;  
FIG. 6 is a rear elevational view thereof;  
FIG. 7 is a top plan view thereof; and,  
FIG. 8 is a bottom plan view thereof.  
The broken line illustration shows environmental structure and forms no part of the claimed invention. Undisclosed surfaces are plain and unornamented.

**1 Claim, 3 Drawing Sheets**

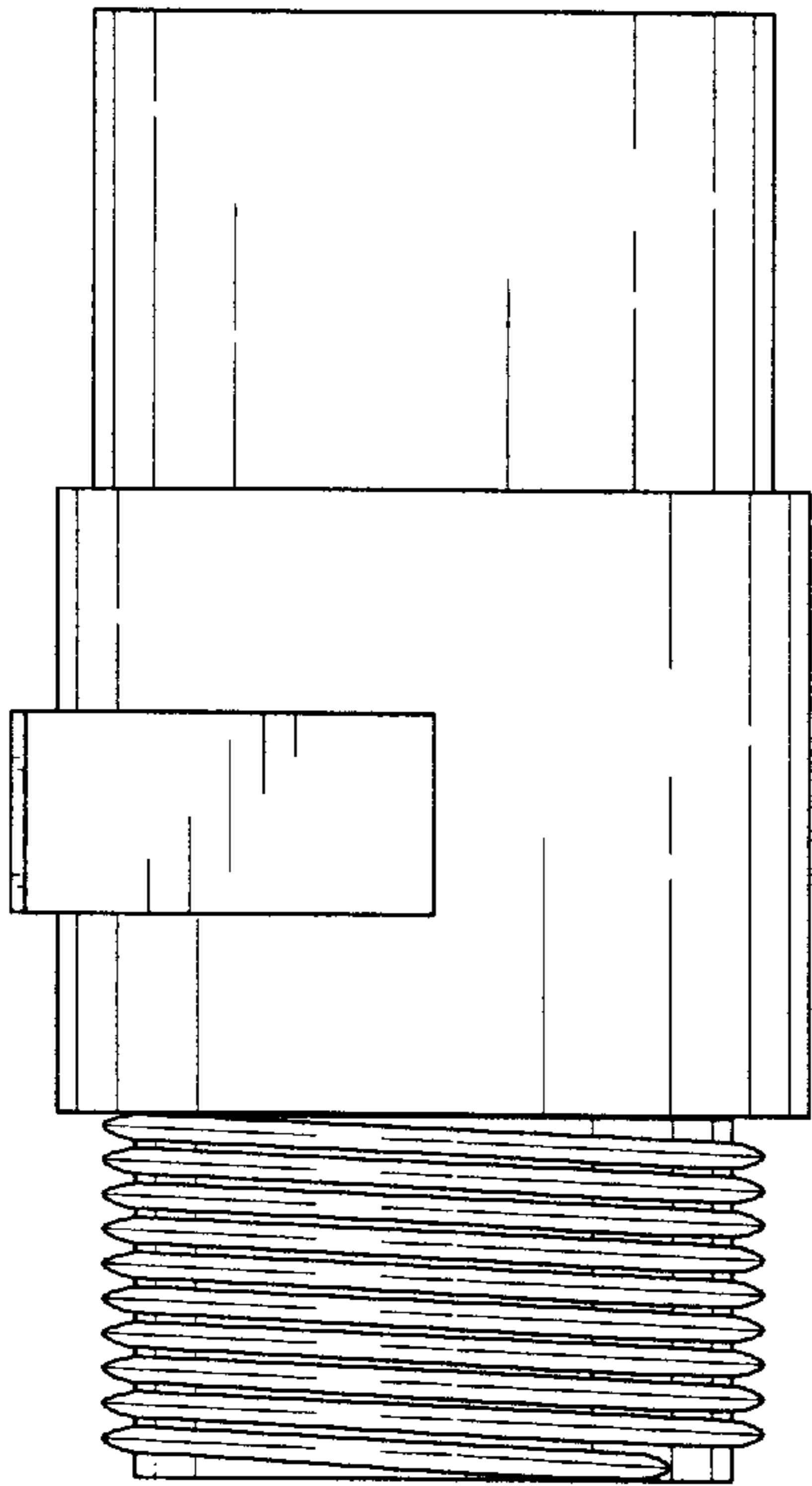




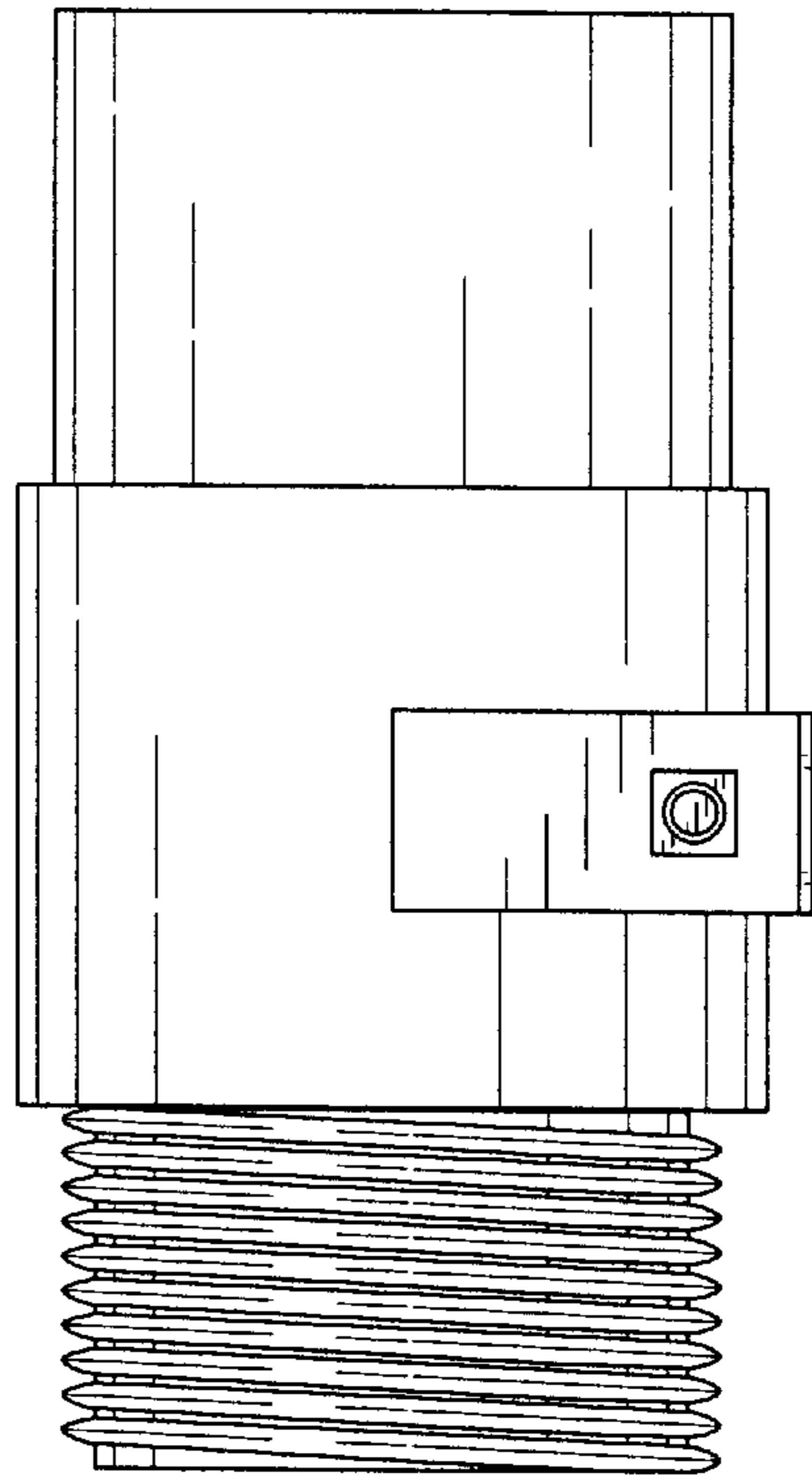
**Fig. 1**



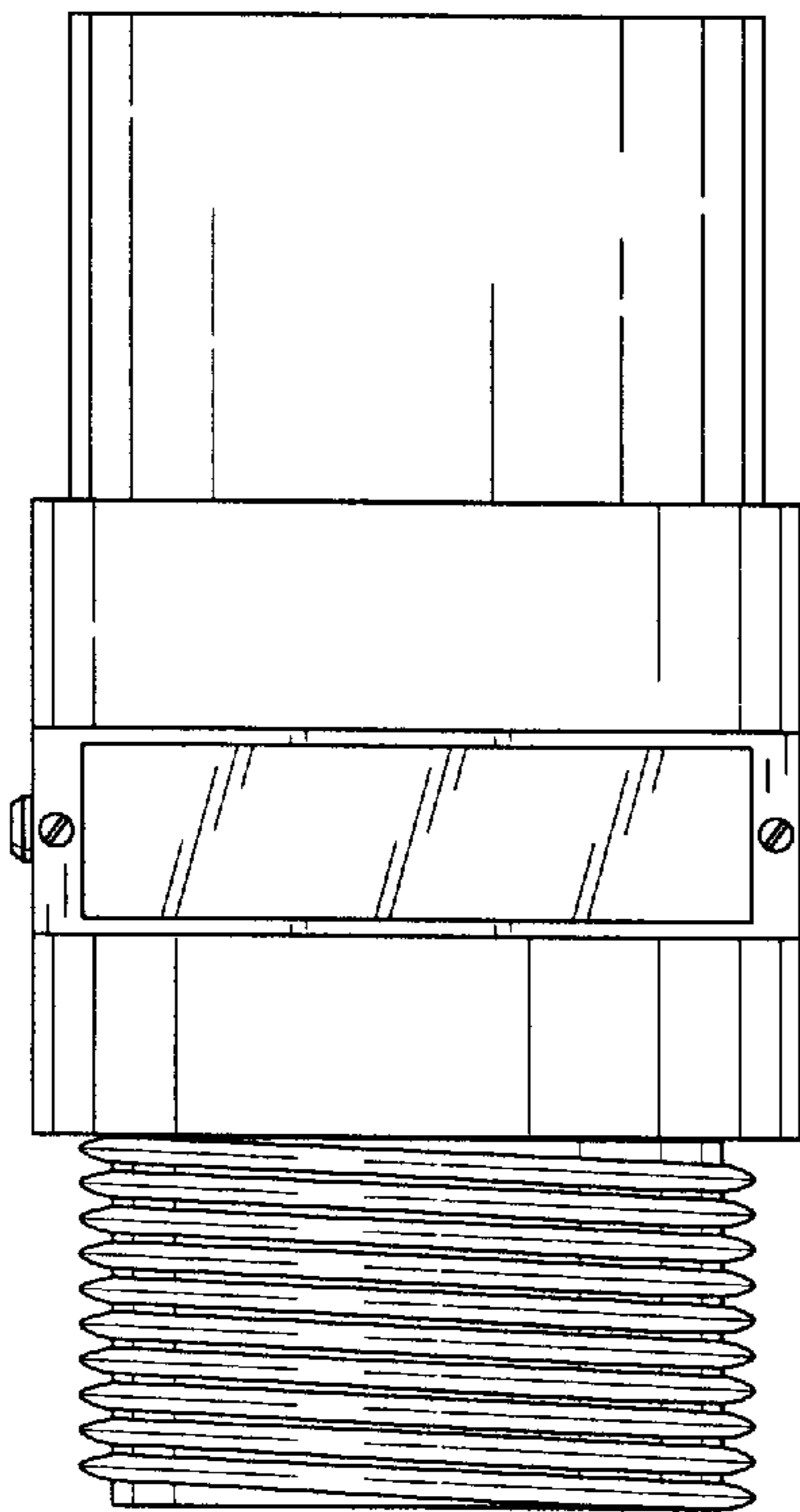
**Fig. 2**



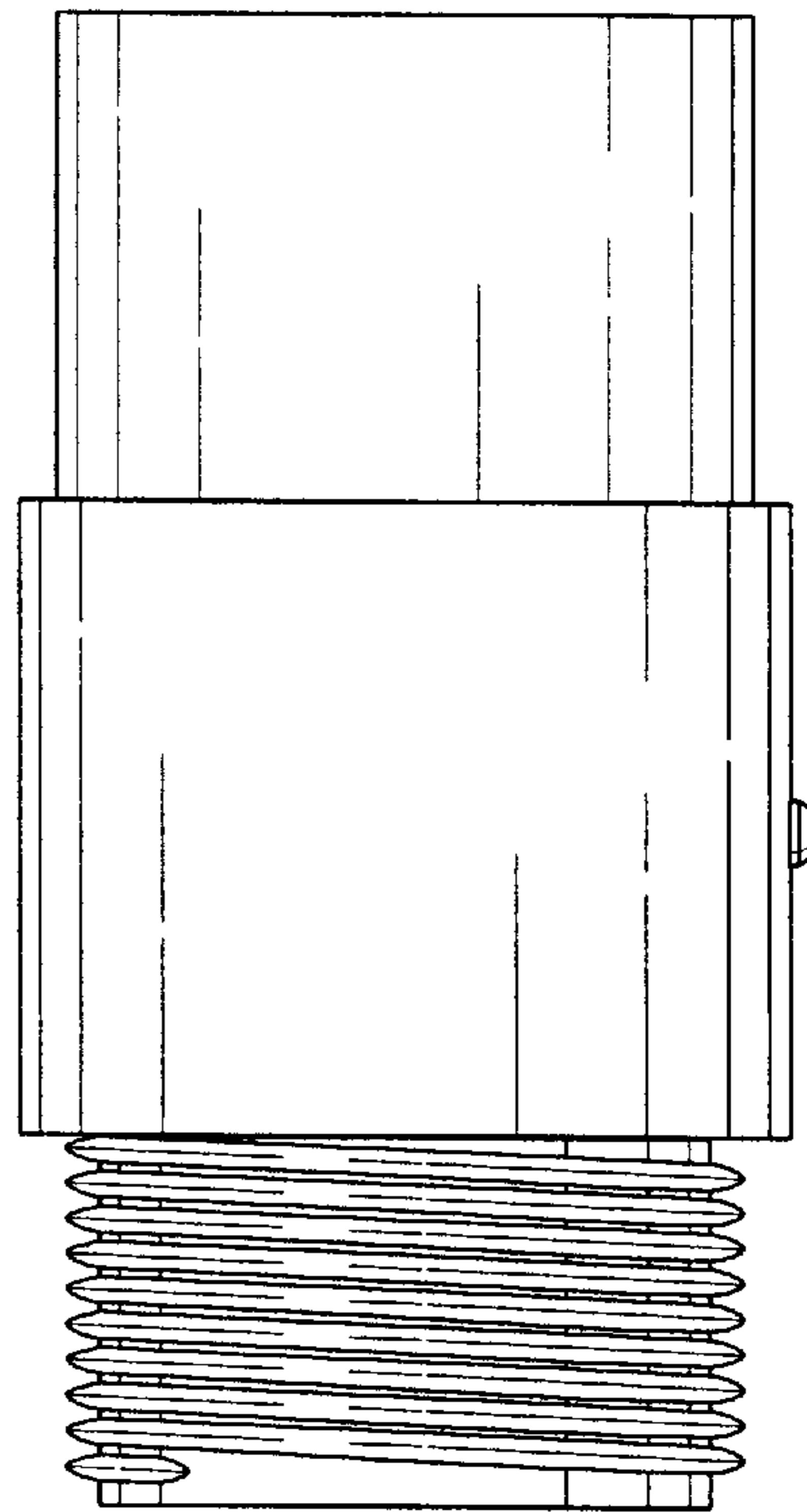
**Fig. 3**



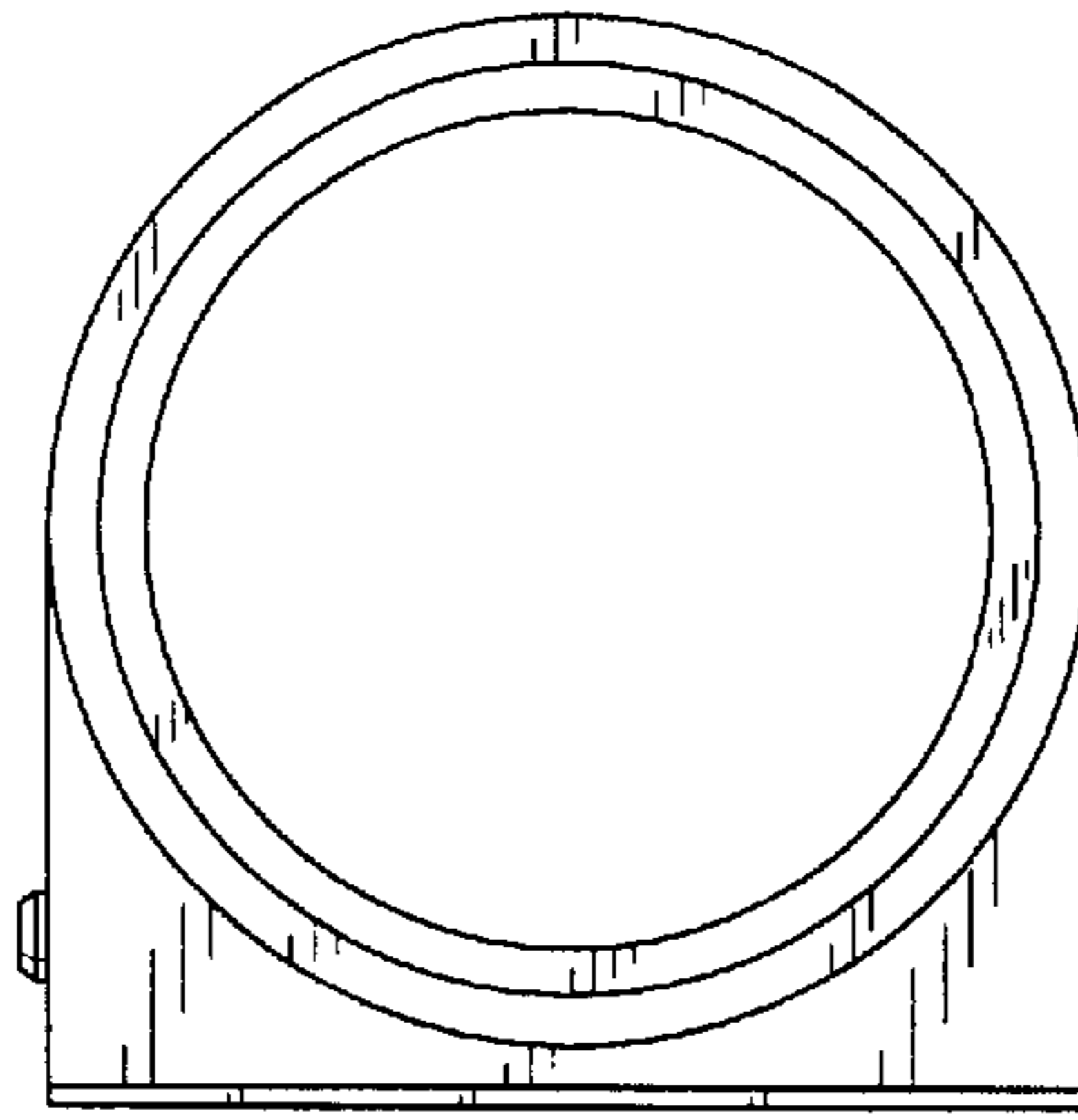
**Fig. 4**



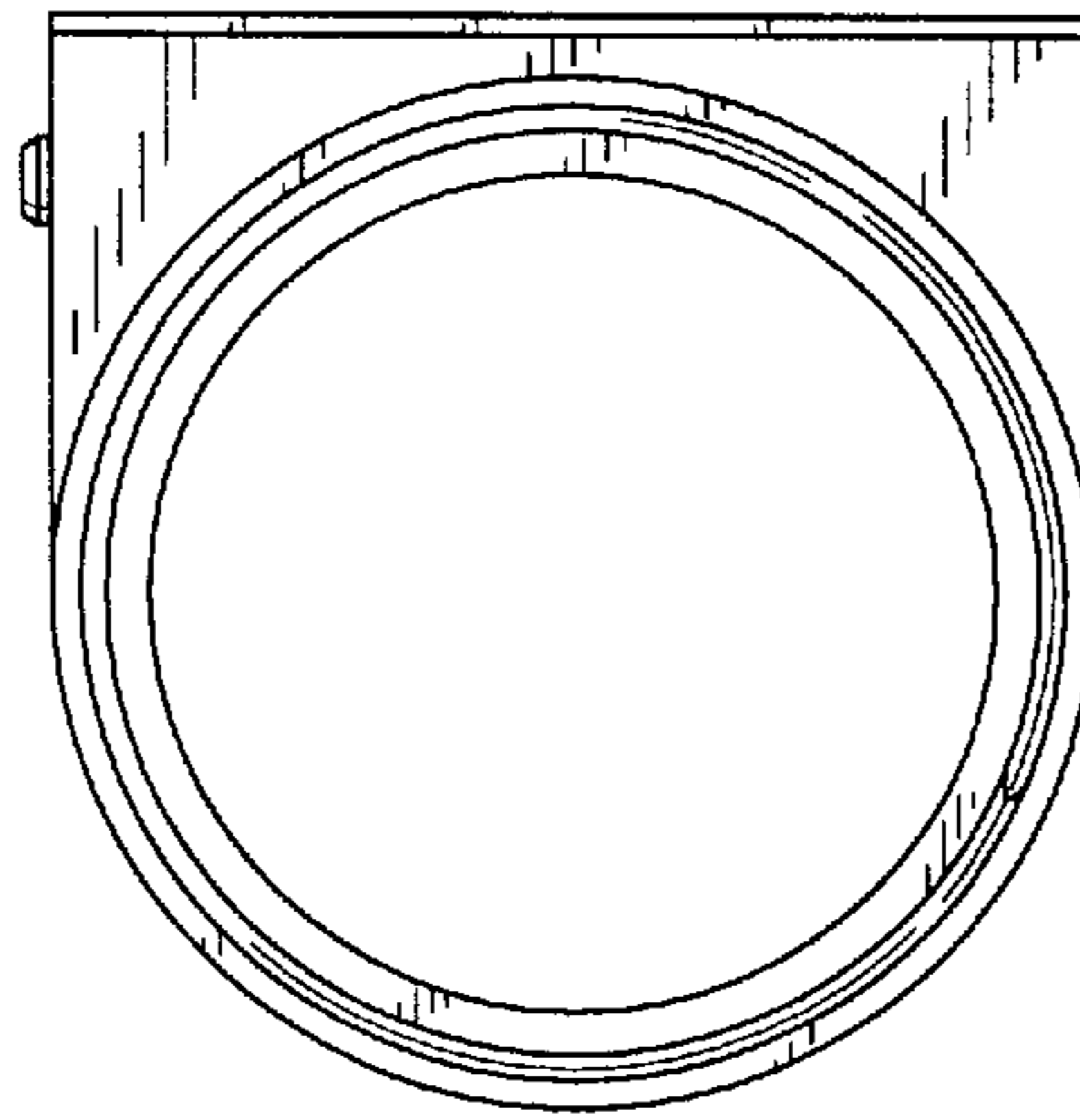
**Fig. 5**



**Fig. 6**



**Fig. 7**



**Fig. 8**