



US00D399433S

# United States Patent [19]

Bruce et al.

[11] Patent Number: **Des. 399,433**

[45] Date of Patent: **\*\*Oct. 13, 1998**

[54] **WATCH HOUSING**

[75] Inventors: **Robert M. Bruce**, San Francisco; **Brett C. Lovelady**, Saratoga; **Kyle N. Swen**, Campbell, all of Calif.

[73] Assignee: **Nike, Inc.**, Beaverton, Oreg.

[\*\*] Term: **14 Years**

[21] Appl. No.: **79,641**

[22] Filed: **Dec. 8, 1997**

[51] **LOC (6) Cl.** ..... **10-02**

[52] **U.S. Cl.** ..... **D10/30**

[58] **Field of Search** ..... D10/1-40, 122-132; 368/280-282, 276-277, 28-30, 285, 239-242, 82-84, 41-44

D. 345,926	4/1994	Houlihan .	
D. 352,666	11/1994	Williams .	
D. 359,000	6/1995	Yamamoto .	
D. 360,369	7/1995	Wong et al. .	
D. 363,234	10/1995	Morishima et al. .	
D. 363,235	10/1995	Goto et al. .	
D. 363,882	11/1995	Bodino .	
D. 389,747	1/1998	Ramos .....	D10/30
4,236,239	11/1980	Imgrüth et al. .	

### FOREIGN PATENT DOCUMENTS

2591442	6/1987	France .....	368/282
3811403	10/1989	Germany .....	D68/281
52-53457	4/1977	Japan .	
53-138374	2/1978	Japan .	
53-22470	3/1978	Japan .	
54-107365	8/1979	Japan .	
56-89084 (A)	7/1981	Japan .	
56-166484			
(A)	12/1981	Japan .	

### [56] References Cited

#### U.S. PATENT DOCUMENTS

D. 137,330	2/1944	Washam .	
D. 229,085	11/1973	Lutenegger .	
D. 238,936	2/1976	Miyata .	
D. 259,107	5/1981	Fukumura .	
D. 260,493	9/1981	Link .....	D10/38
D. 263,452	3/1982	Wada .	
D. 269,501	6/1983	Sato .	
D. 279,671	7/1985	Stanton .	
D. 283,985	5/1986	Sakamaki .	
D. 297,622	9/1988	Lee .	
D. 299,463	1/1989	Hermann .	
D. 300,210	3/1989	Houlihan .	
D. 309,577	7/1990	Takeichi .	
D. 312,416	11/1990	Braun .	
D. 314,710	2/1991	Weil .	
D. 315,514	3/1991	Weil .	
D. 317,873	7/1991	Woomer .	
D. 318,807	8/1991	Lambert .	
D. 319,401	8/1991	Woomer .	
D. 322,227	12/1991	Warhol .	
D. 327,652	7/1992	Brodmann .	
D. 329,388	9/1992	Takahashi .	
D. 331,707	12/1992	Iwata .	
D. 339,301	9/1993	Morishima .	
D. 339,303	9/1993	Sugita .	
D. 339,748	9/1993	Choi .	
D. 339,989	10/1993	Parsons .....	D10/30
D. 340,651	10/1993	Lassigne .	

### OTHER PUBLICATIONS

*Design* -Feb. 1976-p. 34-Watch at Bottom-Left.  
*European Jewelers* -Jun. 1973-p. 28 Watch at Center-Right.

*Primary Examiner*-Nelson C. Holtje  
*Attorney, Agent, or Firm*-Klarquist Sparkman Campbell Leigh & Whinston, LLP

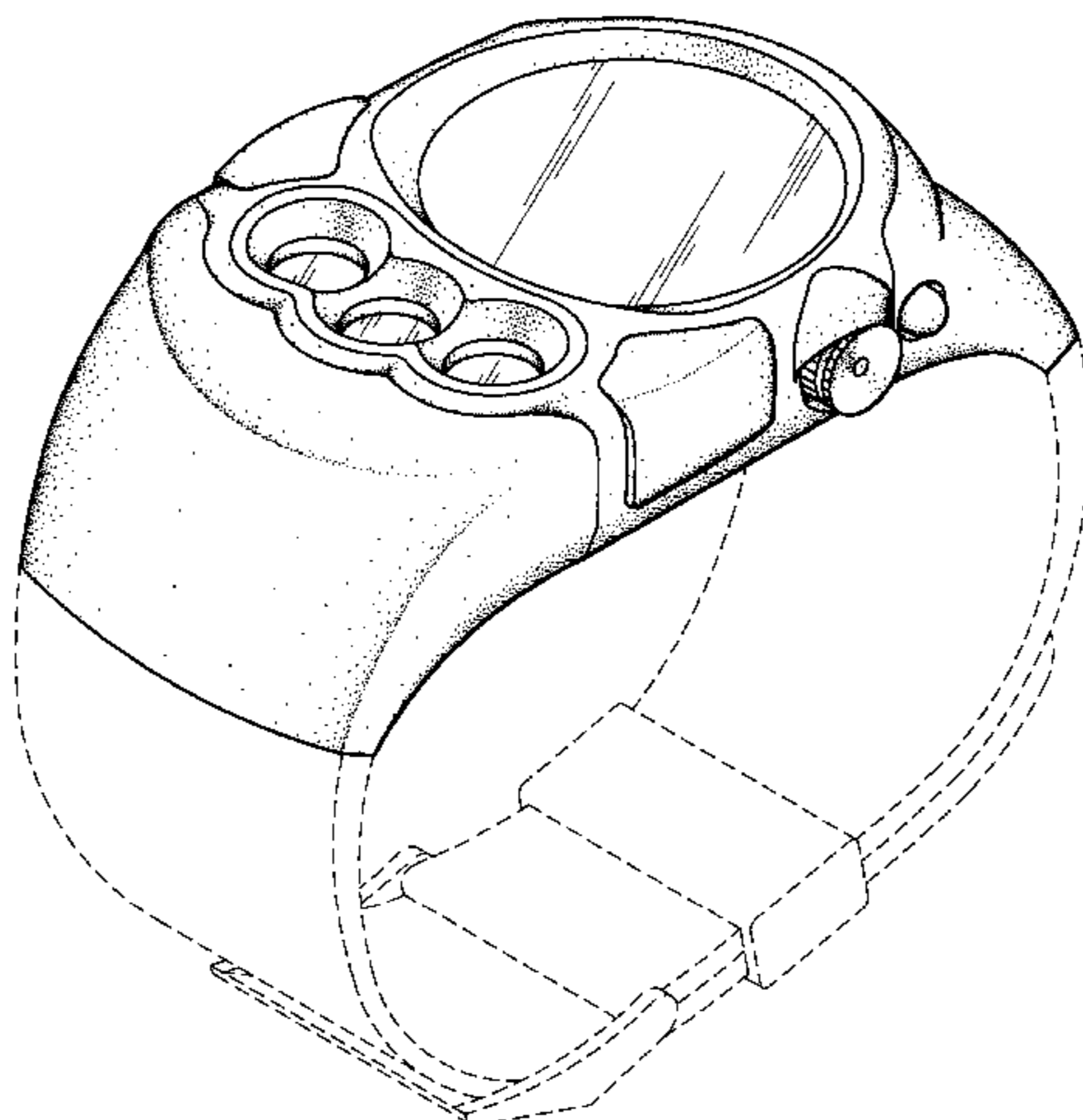
### [57] CLAIM

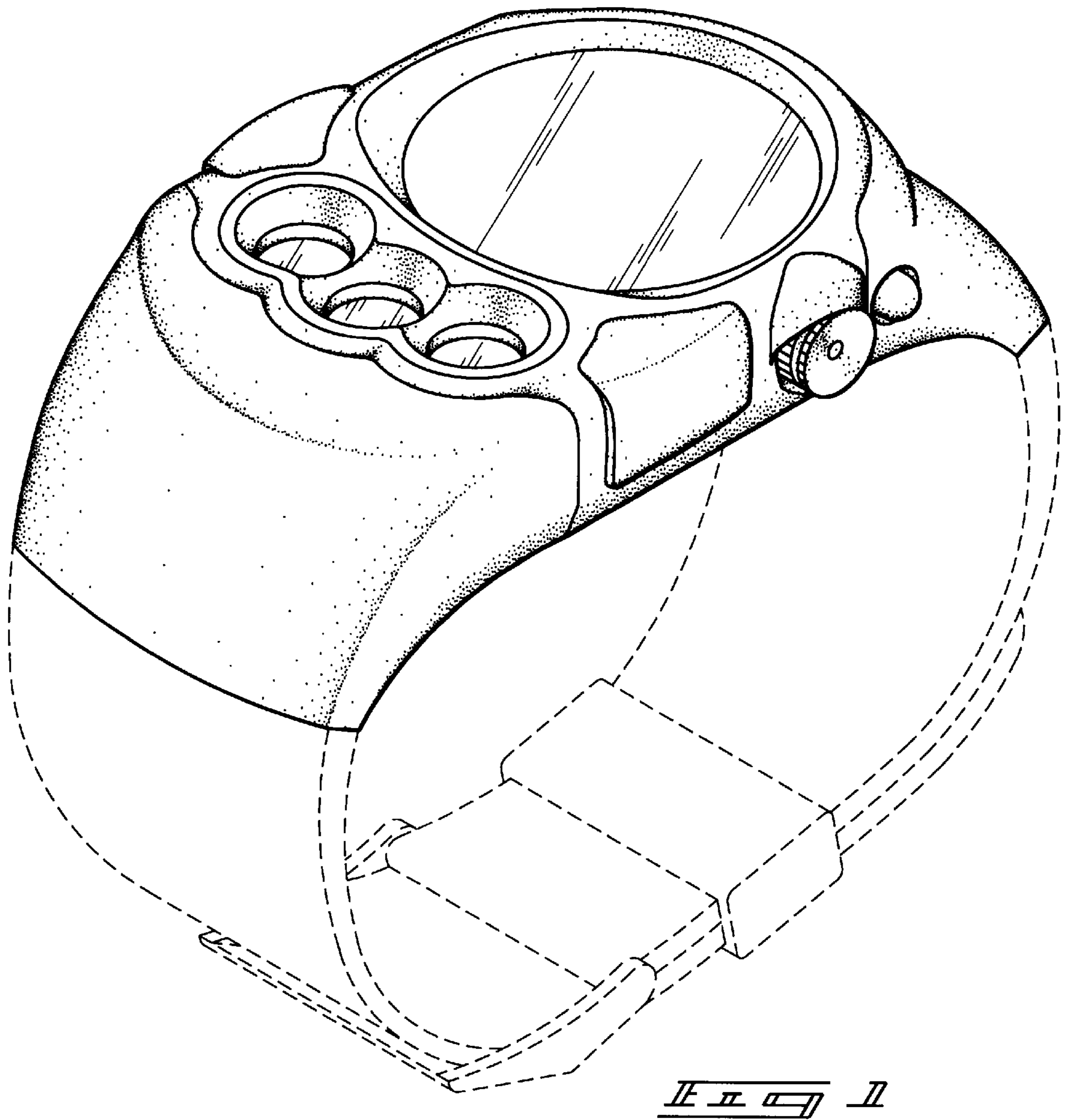
The ornamental design for a watch housing, as shown and described.

### DESCRIPTION

FIG. 1 is a perspective view of a watch housing in accordance with our invention;  
FIG. 2 is a front view of a watch housing of FIG. 1;  
FIG. 3 is a back view of the watch housing of FIG. 1;  
FIG. 4 is a left side view of the watch housing of FIG. 1;  
FIG. 5 is a right side view of the watch housing of FIG. 1;  
FIG. 6 is a top view of the watch housing of FIG. 1; and,  
FIG. 7 is a bottom view of the watch housing of FIG. 1.  
The broken lines show the watch band for illustrative purposes only and form no part of the claimed design.

**1 Claim, 4 Drawing Sheets**





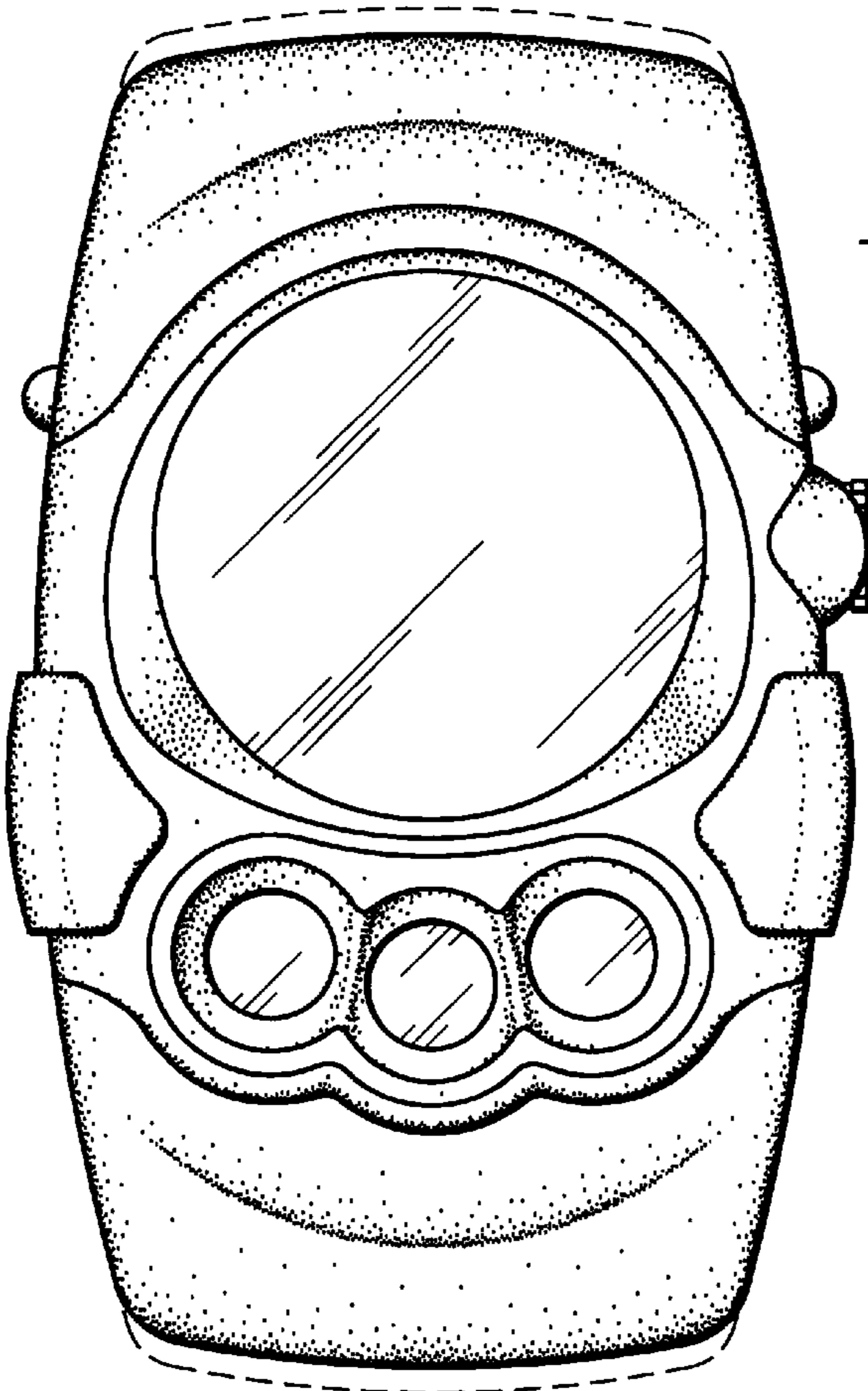


Fig. 2

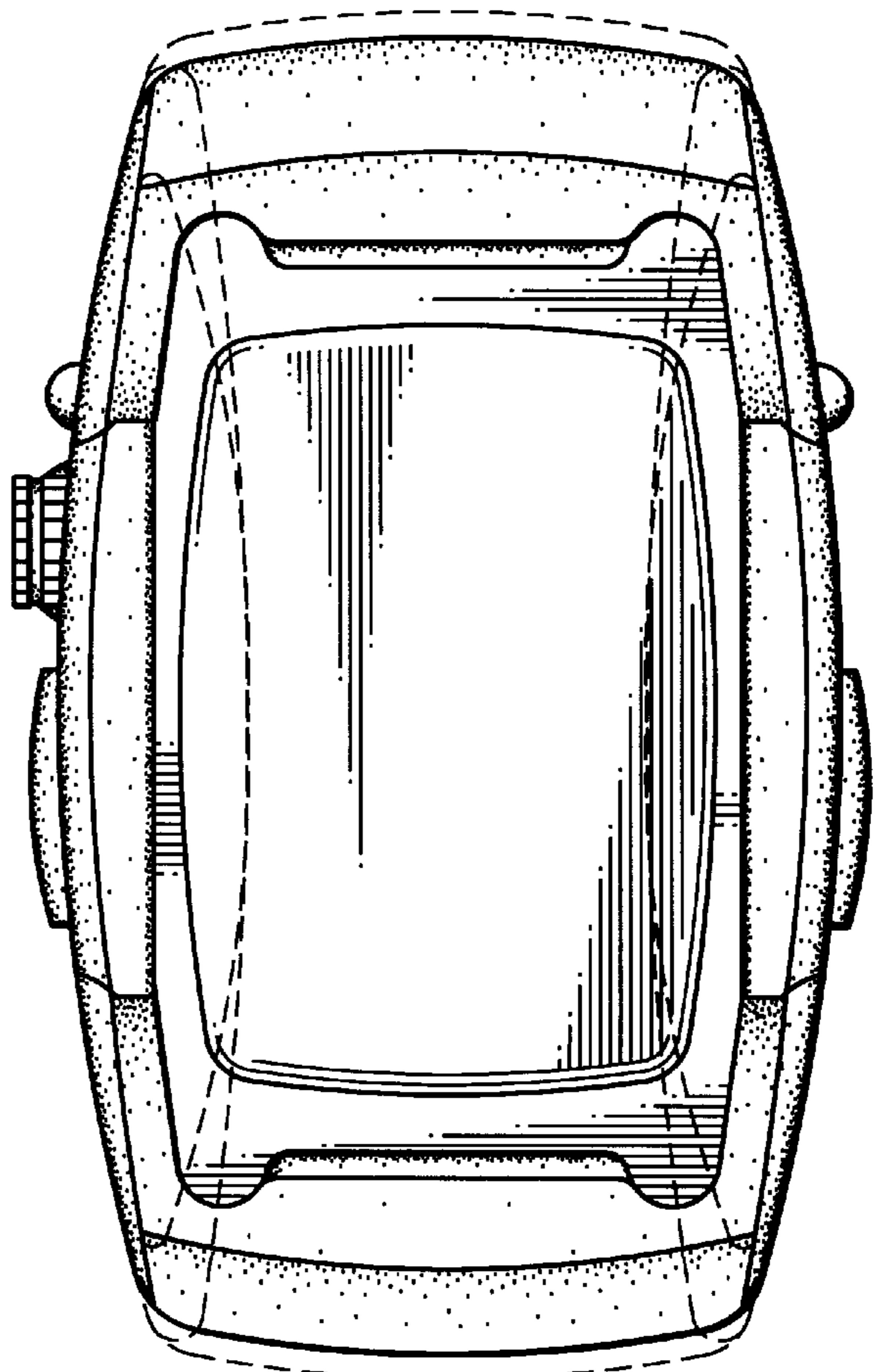
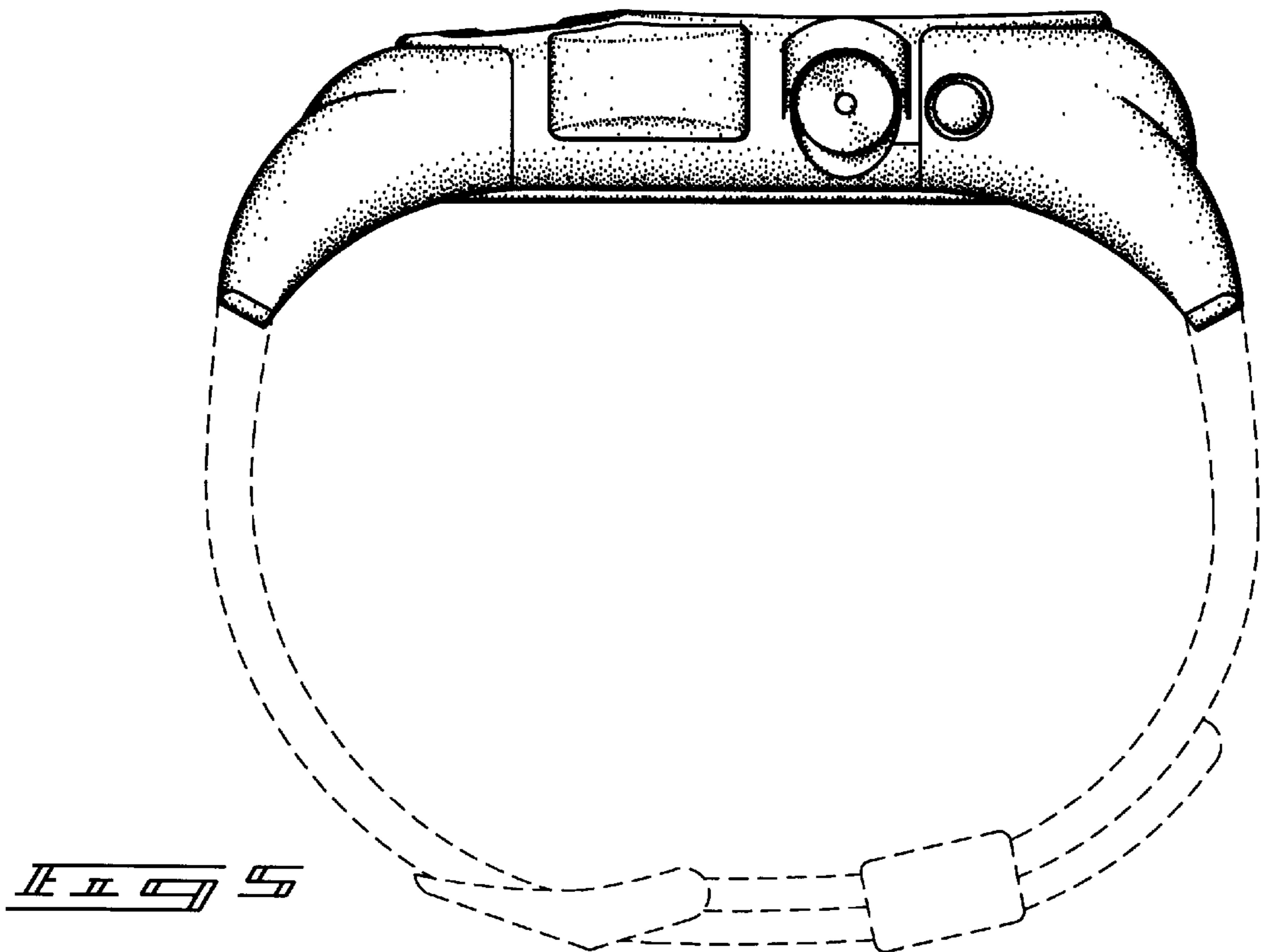
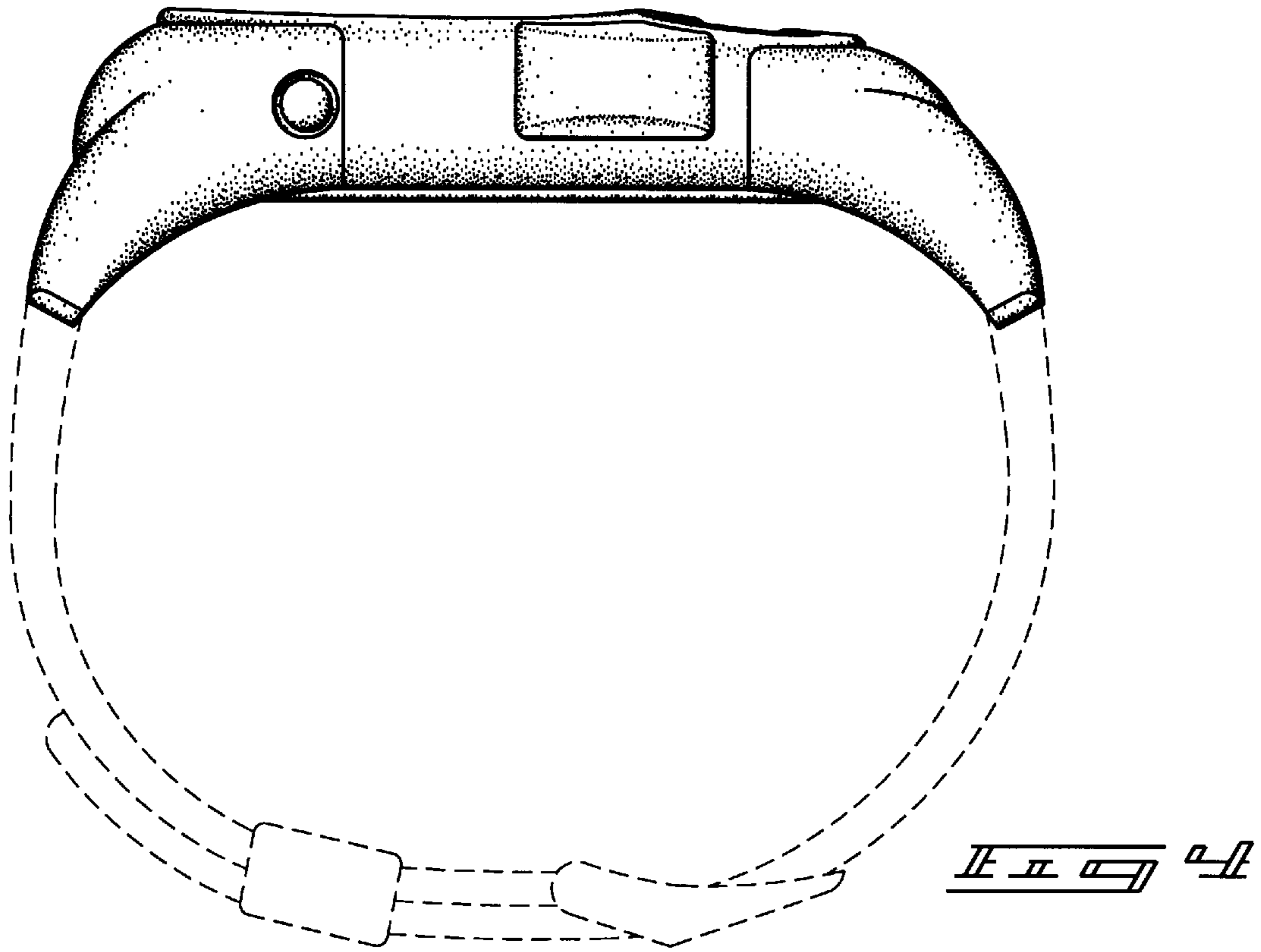


Fig. 3



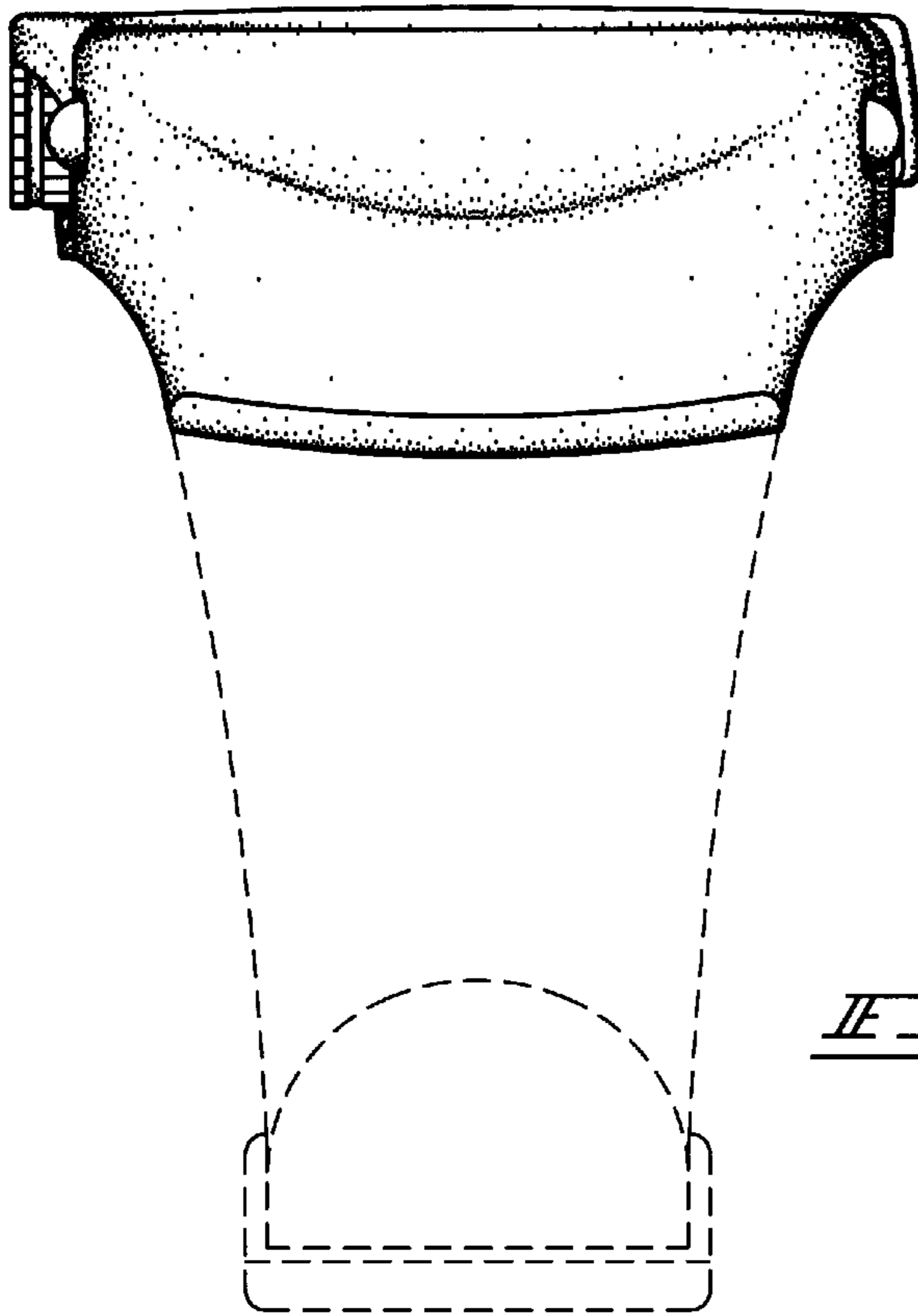


FIG. 6

FIG. 7

