



US00D399423S

**United States Patent** [19]  
**Palestrant**

[11] **Patent Number: Des. 399,423**

[45] **Date of Patent: \*\*Oct. 13, 1998**

[54] **NOZZLE**

D. 356,625 3/1995 Petrucci et al. .... D9/435 X  
3,407,954 10/1968 Millis ..... D9/436 X  
5,181,632 1/1993 Latter ..... 222/521 X

[76] Inventor: **Nathan Palestrant**, 5120 N. 79th Pl.,  
Scottsdale, Ariz. 85250

[\*] Notice: The term of this patent shall not extend  
beyond the expiration date of Pat. No. D.  
396,007.

*Primary Examiner*—Gary D. Watson  
*Assistant Examiner*—Cathron B. Matta  
*Attorney, Agent, or Firm*—Meschkow & Gresham, P.L.C.;  
Jordan M. Meschkow; Lowell W. Gresham

[\*\*] Term: **14 Years**

[57] **CLAIM**

[21] Appl. No.: **78,320**

The ornamental design for a nozzle, as shown and described.

[22] Filed: **Oct. 20, 1997**

**DESCRIPTION**

[51] **LOC (6) Cl.** ..... **09-07**

FIG. 1 is a front perspective view of a nozzle, showing my  
new design therefor;

[52] **U.S. Cl.** ..... **D9/447**

FIG. 2 is a top plan view therefor;

[58] **Field of Search** ..... D9/434, 435, 436,  
D9/439, 440, 447, 453, 300; 222/520, 521,  
566-571

FIG. 3 is a bottom plan view therefor;

FIG. 4 is a front view therefor; and,

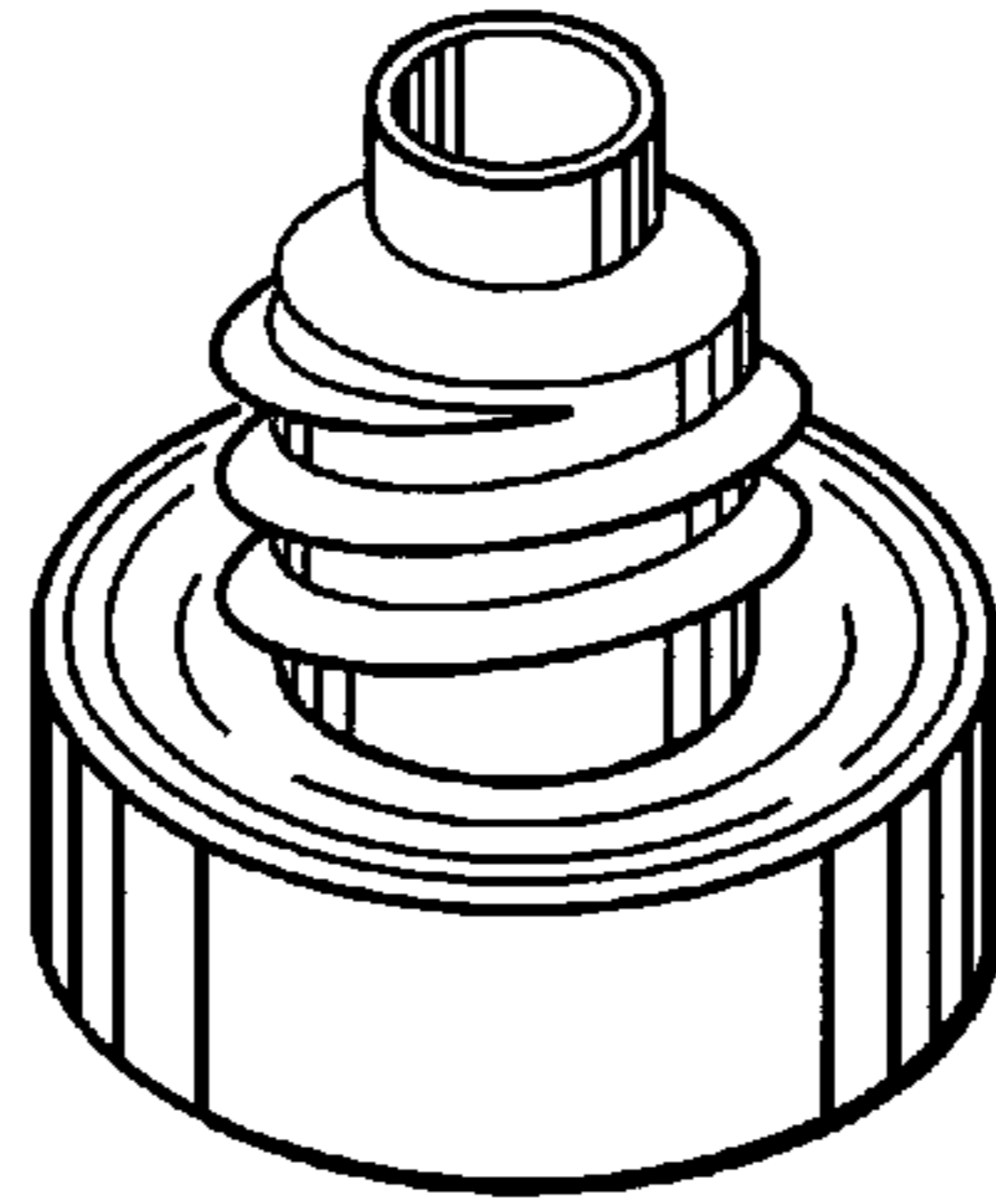
FIG. 5 is a rear side view therefor, the left side and the right  
side being similar thereto.

[56] **References Cited**

**U.S. PATENT DOCUMENTS**

D. 264,938 6/1982 Stock ..... D9/453 X

**1 Claim, 1 Drawing Sheet**



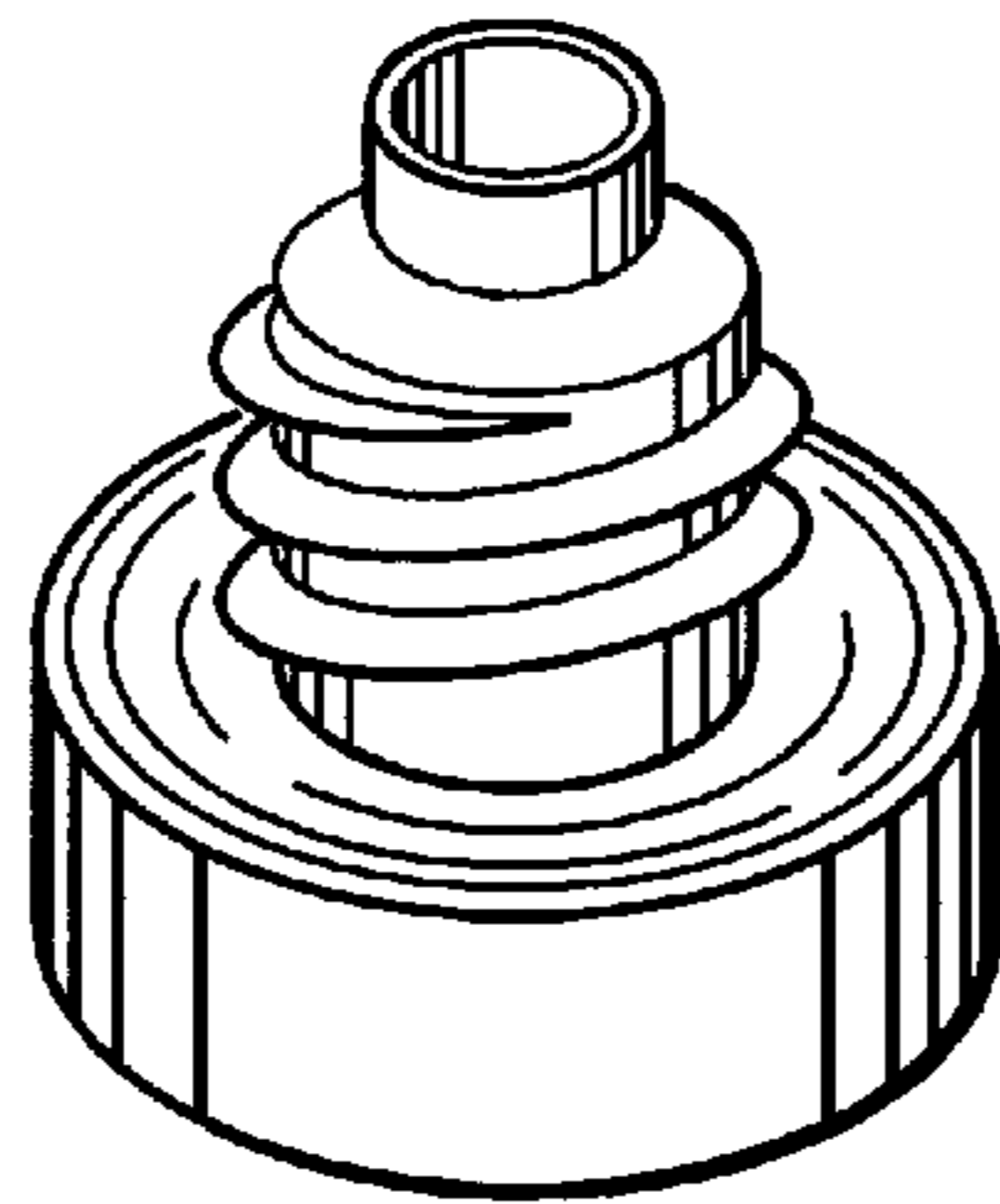


Fig. 1

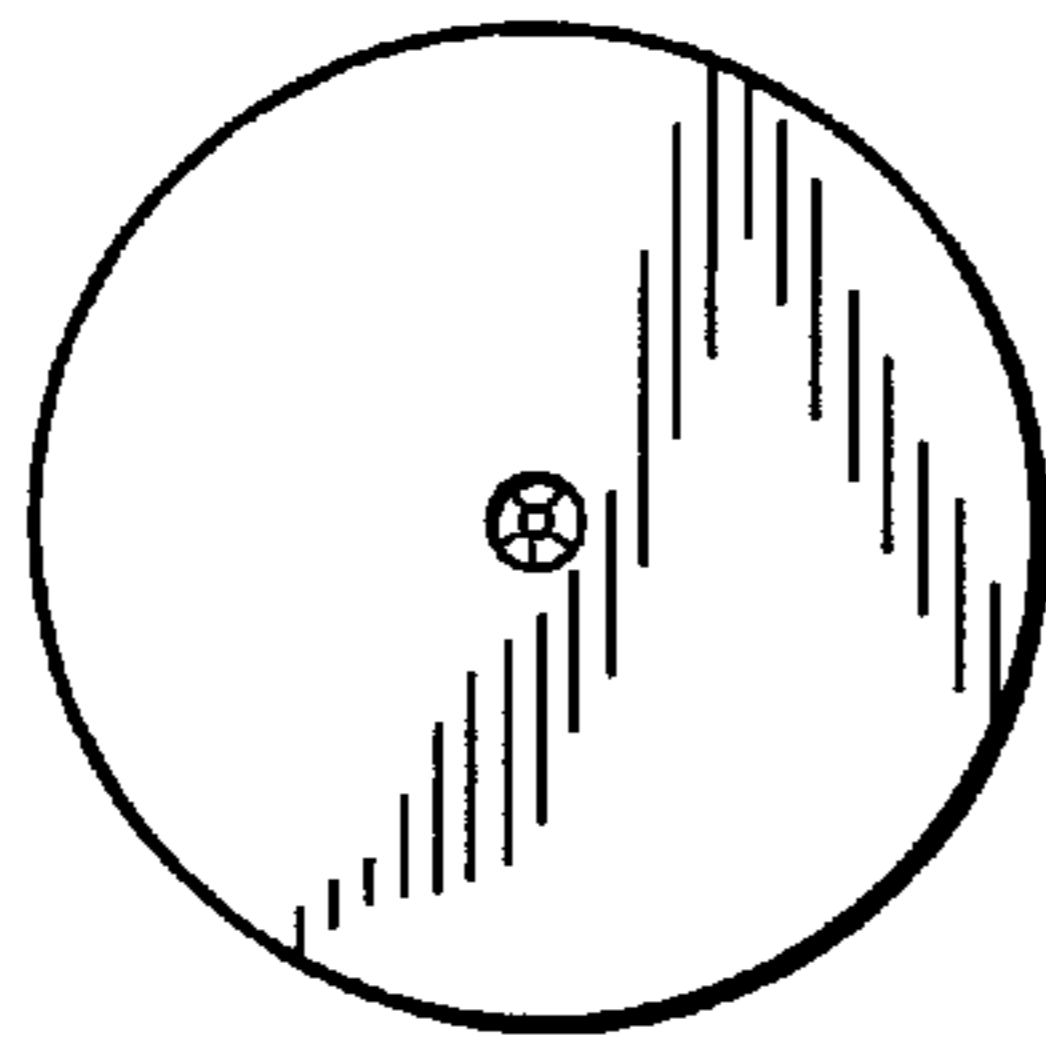


Fig. 2

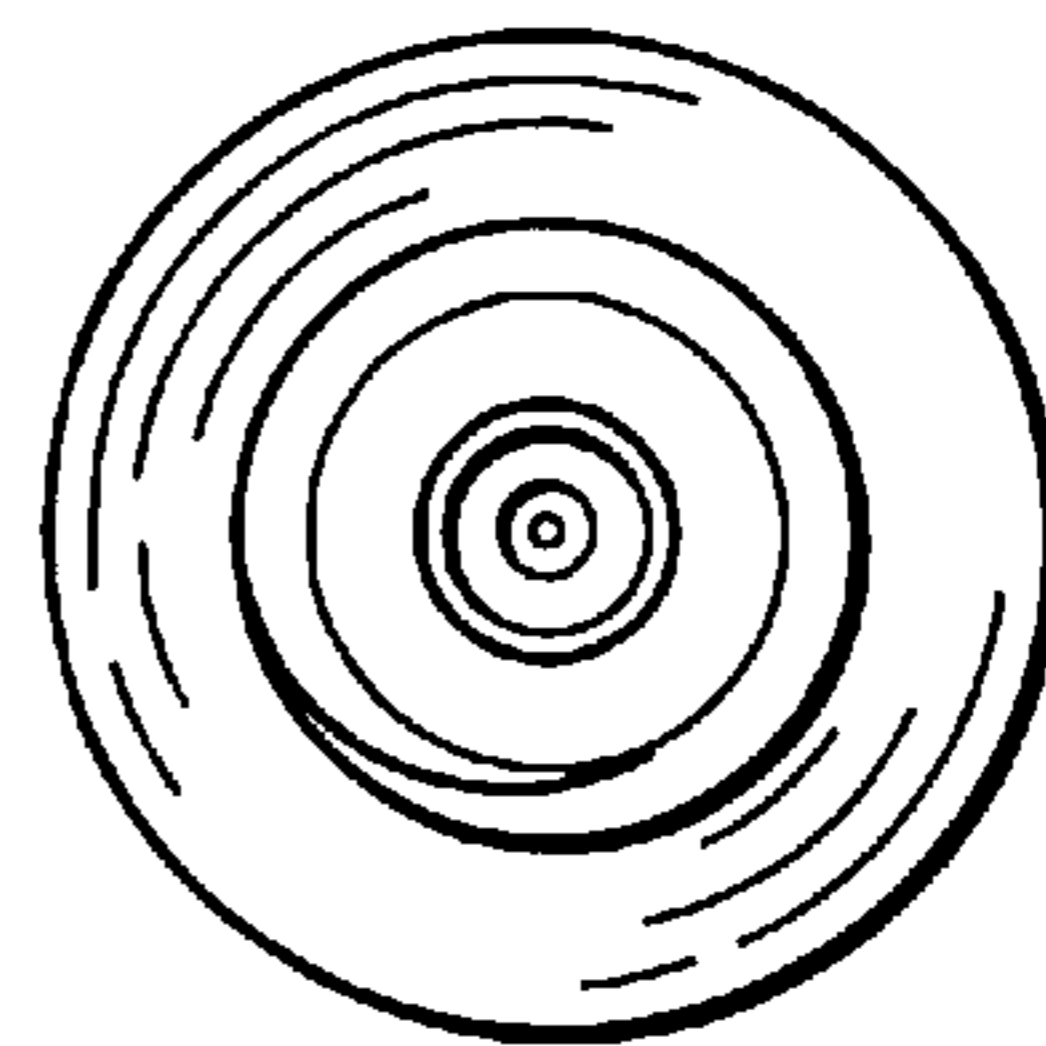


Fig. 3

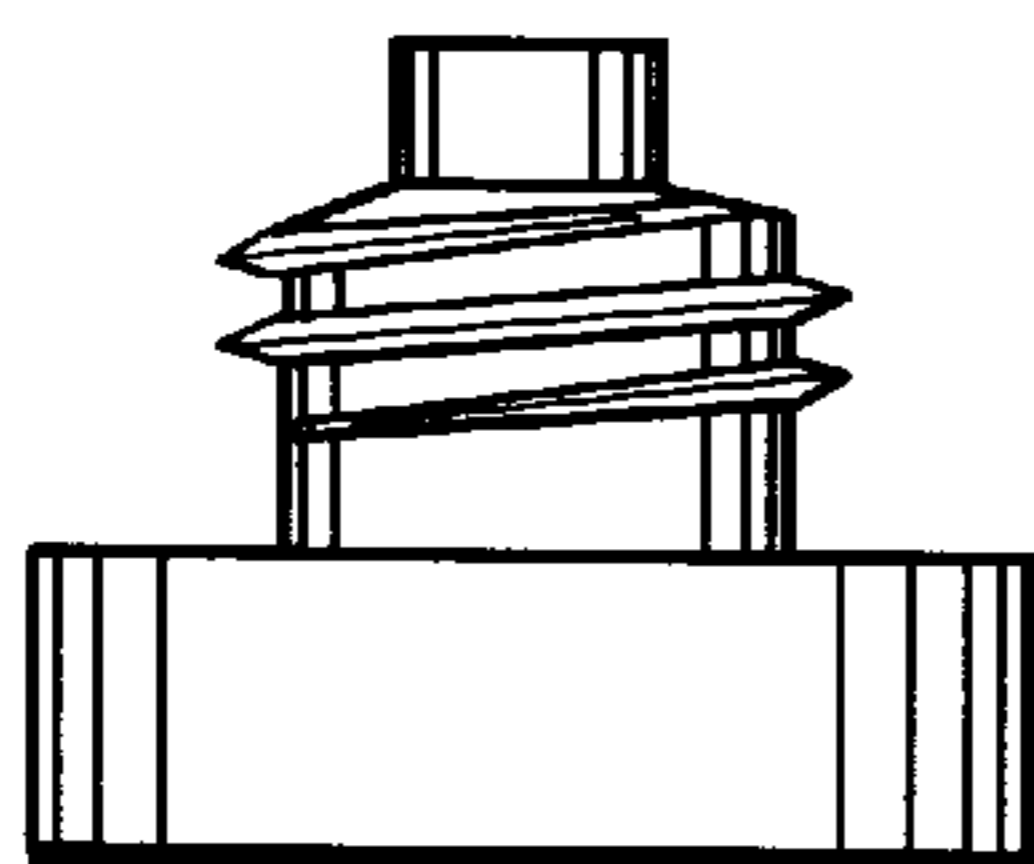


Fig. 4

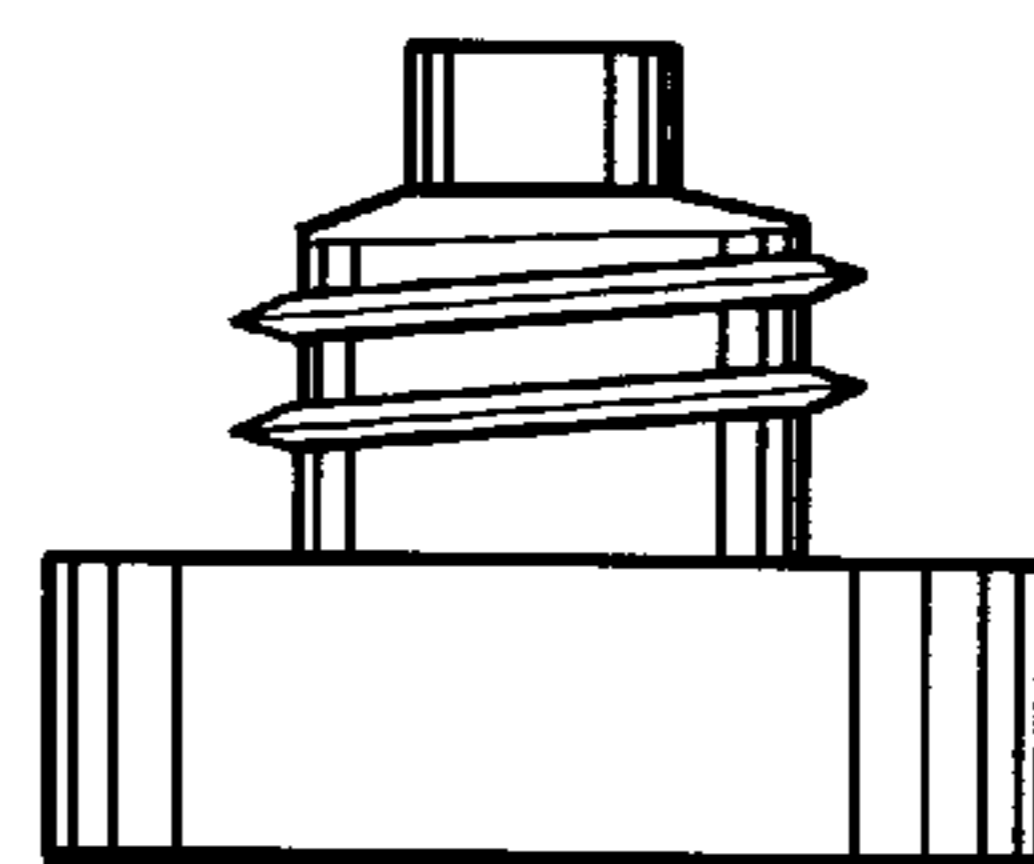


Fig. 5