



US00D399415S

United States Patent [19] Gay

[11] Patent Number: **Des. 399,415**

[45] Date of Patent: ****Oct. 13, 1998**

[54] **GAMBREL UNIT**

[76] Inventor: **Brian K. Gay**, 10024 Pamunkey Rd., Mechanicsville, Va. 23116

[**] Term: **14 Years**

[21] Appl. No.: **78,175**

[22] Filed: **Oct. 20, 1997**

[51] **LOC (6) Cl.** **08-05**

[52] **U.S. Cl.** **D8/370**

[58] **Field of Search** D8/370, 373; 452/189; 248/302-303, 215

4,581,790 4/1986 Horvath .
5,071,389 12/1991 Castle et al. 452/192
5,263,675 11/1993 Roberts et al. 248/219.4

Primary Examiner—Holly Baynham
Attorney, Agent, or Firm—Norman B. Rainer

[57] CLAIM

The ornamental design for a gambrel unit, as shown and described.

DESCRIPTION

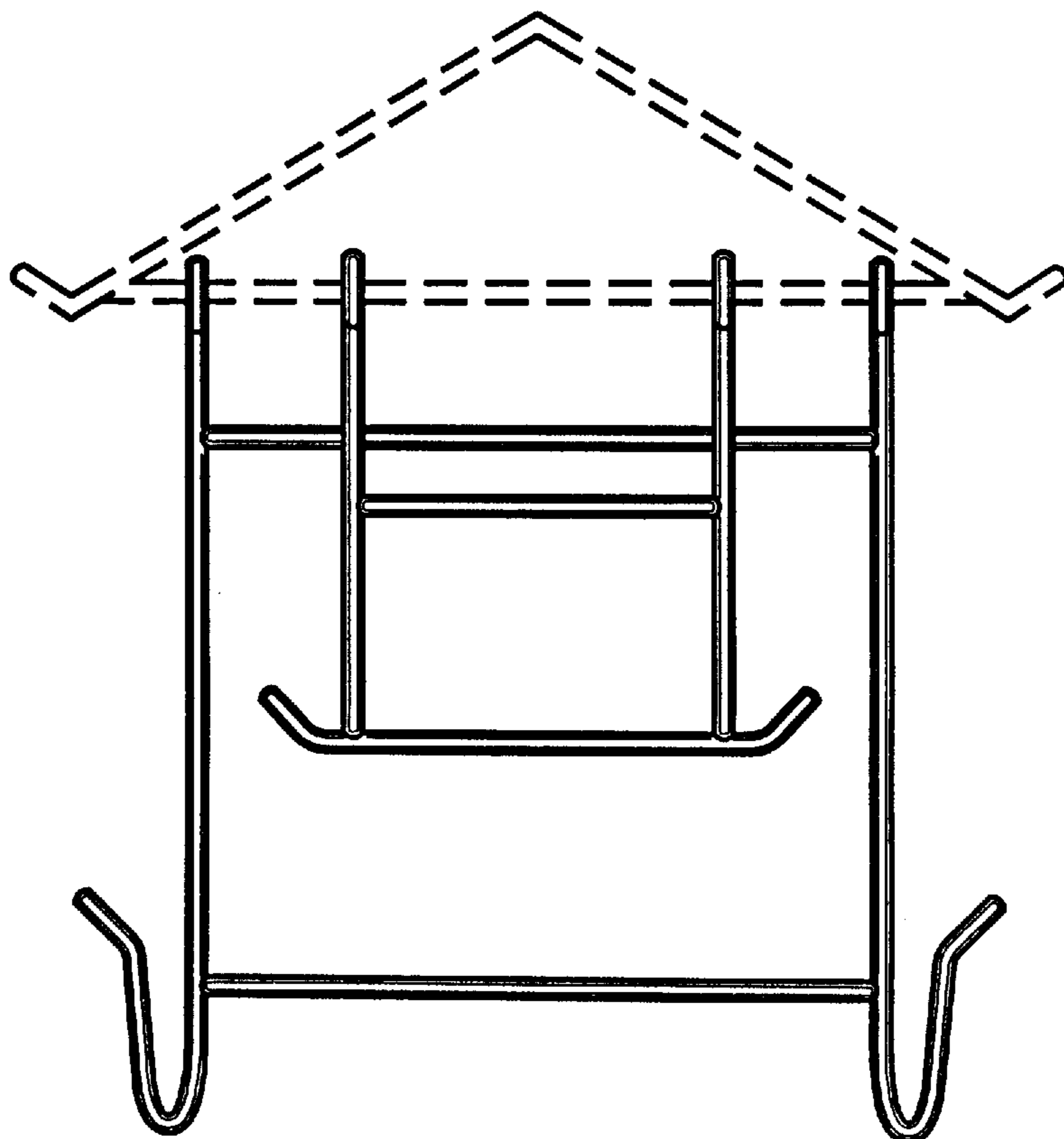
FIG. 1 is a perspective view of a component of the gambrel unit shown in FIG. 8;
FIG. 2 is a front elevational view thereof;
FIG. 3 is a side elevational view with the opposite view being a mirror image thereof;
FIG. 4 is a top plan view thereof;
FIG. 5 is a perspective view of the smaller component of the gambrel unit shown in FIG. 8;
FIG. 6 is a front elevational view thereof;
FIG. 7 is a side elevational view with the opposite side being a mirror image; and,
FIG. 8 is a front elevational view thereof fully assembled. The broken line showing of a supporting structure is for illustrative purposes only and forms no part of the claimed design.
The elements of the claimed design have been shown separately for clarity of illustration.

[56] References Cited

U.S. PATENT DOCUMENTS

28,840	4/1860	Johnson	452/189
D. 246,827	1/1978	Crawford	D8/370
D. 274,036	5/1984	Schraml	D8/370
741,397	10/1903	Brown .		
762,179	6/1904	Maxam	248/215
892,719	7/1908	Gratton .		
940,434	11/1909	Coultas .		
966,777	10/1910	Sheller .		
1,020,843	3/1912	Petersen .		
1,724,006	8/1929	Ellsworth .		
2,169,928	8/1939	Saley	452/189
2,716,571	8/1955	Silva	294/79
3,452,957	7/1969	Zuelsdorf	248/303 X
4,334,809	6/1982	Zavislake	248/302 X

1 Claim, 2 Drawing Sheets



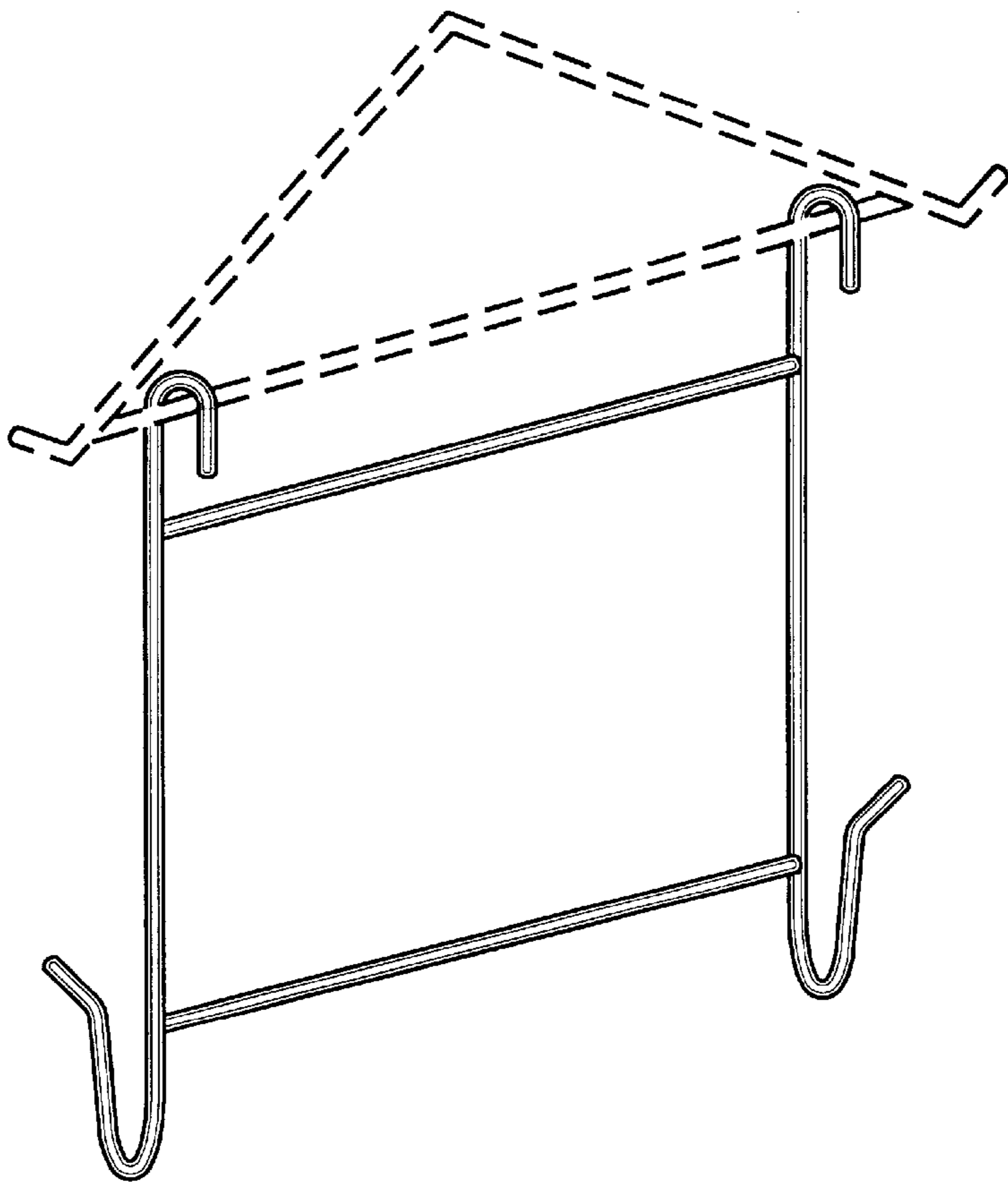


Fig.1

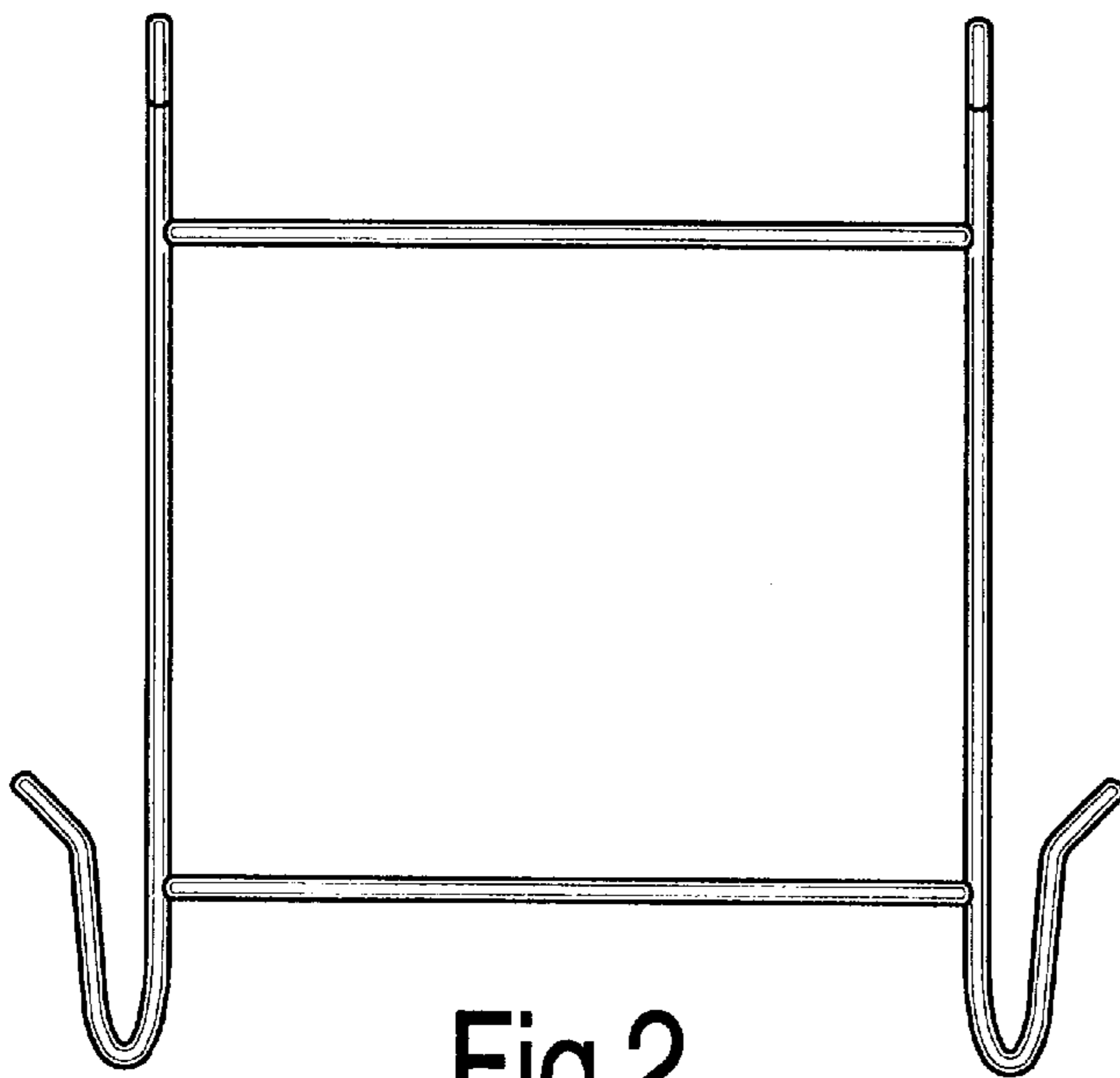


Fig.2



Fig.3

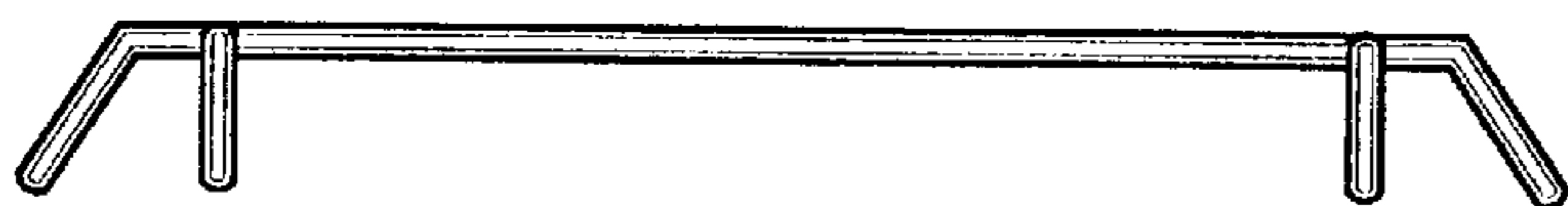


Fig.4

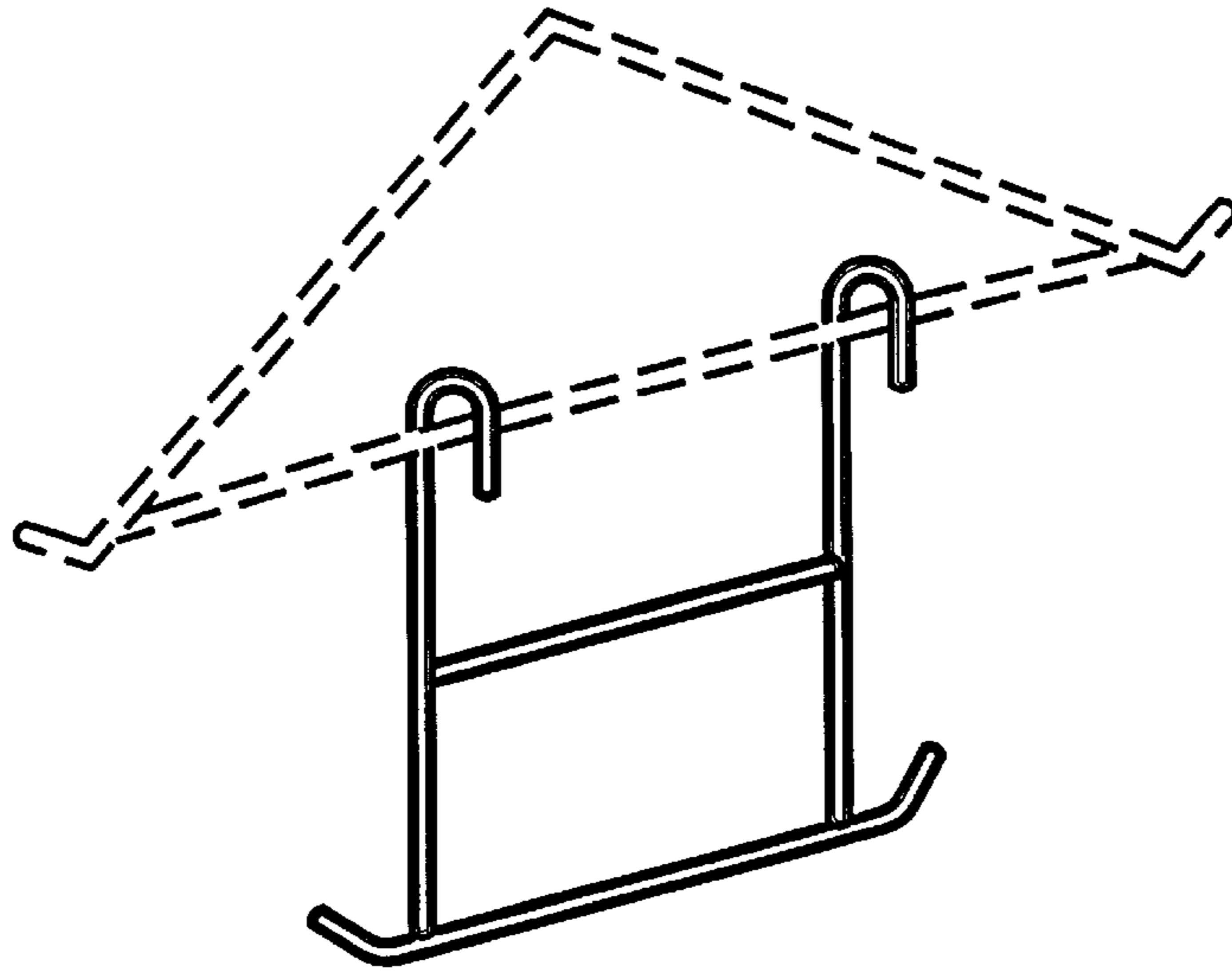


Fig.5

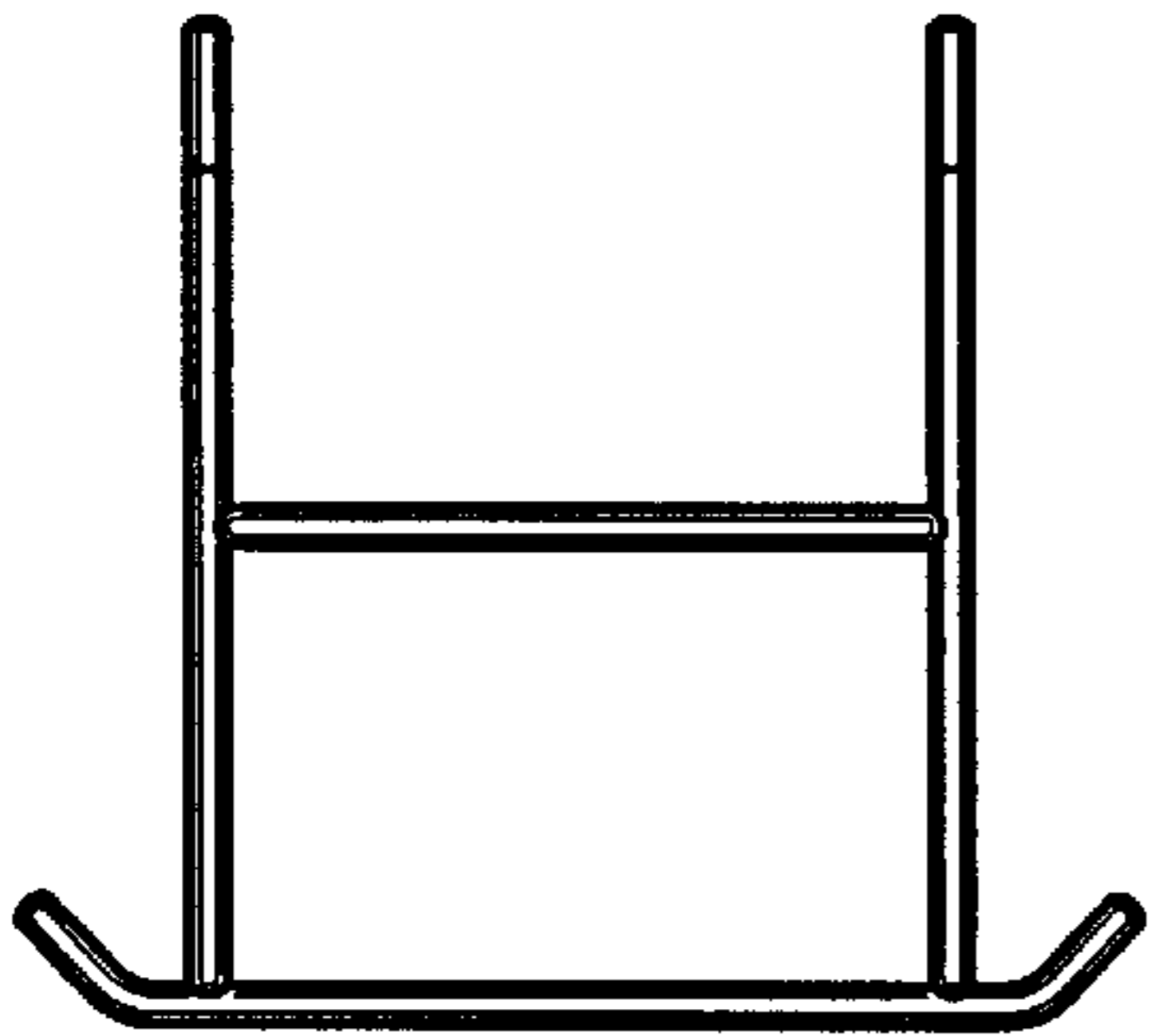


Fig.6

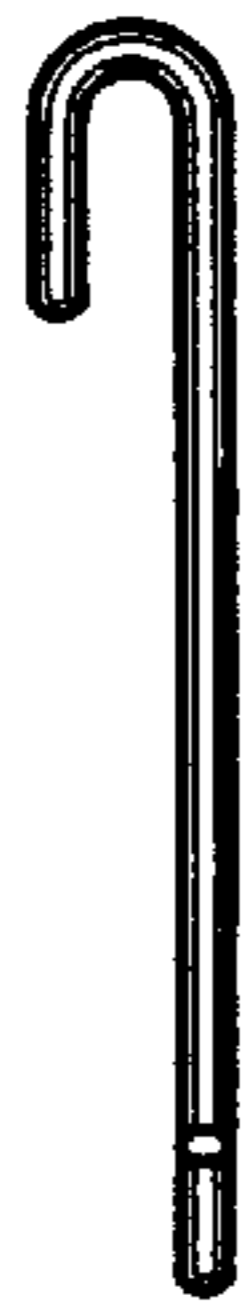


Fig.7

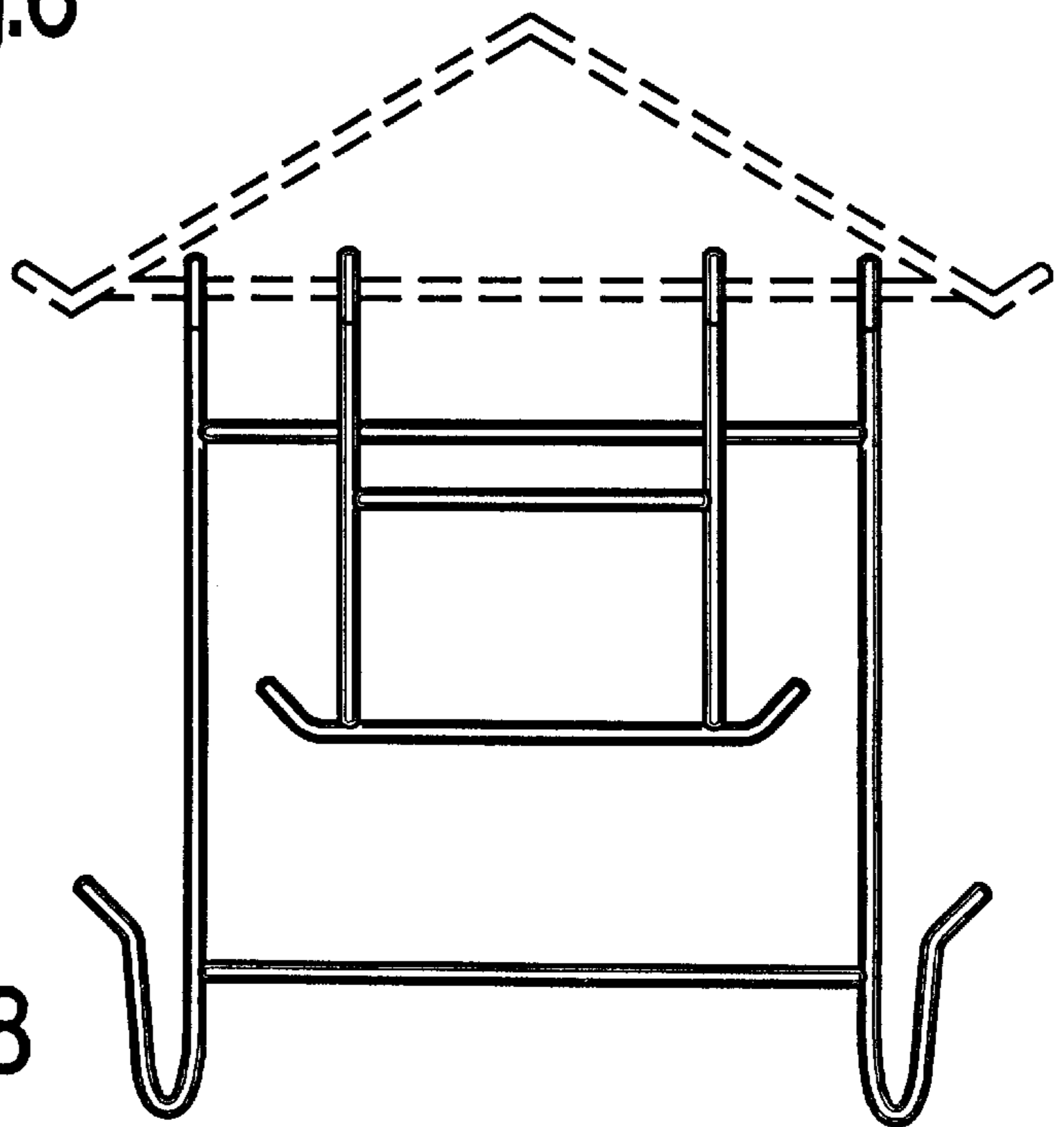


Fig.8