



US00D399414S

United States Patent [19] Viklund

[11] **Patent Number: Des. 399,414**

[45] **Date of Patent: **Oct. 13, 1998**

[54] **CABLE STRAP SUPPORT**

[75] Inventor: **Mark Viklund**, Milford, Conn.

[73] Assignee: **The Siemon Company**, Watertown, Conn.

[**] Term: **14 Years**

[21] Appl. No.: **58,292**

[22] Filed: **May 22, 1996**

[51] **LOC (6) Cl.** **08-05**

[52] **U.S. Cl.** **D8/356**

[58] **Field of Search** D8/354, 356, 394-396;
24/115 A, 115 G, 115 H, 115 K, 115 R,
30.5, 198

[56] **References Cited**

U.S. PATENT DOCUMENTS

D. 347,782	6/1994	Wentzel	D8/356
D. 356,244	3/1995	Merritt	D8/394
D. 356,245	3/1995	Merritt	D8/394
5,119,607	6/1992	Horning et al.	24/115 R X

OTHER PUBLICATIONS

SYMEC GmbH page published in Sep. 1995.
B20 Wiring Accessories published in Oct. 1991.

Primary Examiner—Holly Baynham
Attorney, Agent, or Firm—Fishman, Dionne, Cantor & Colburn

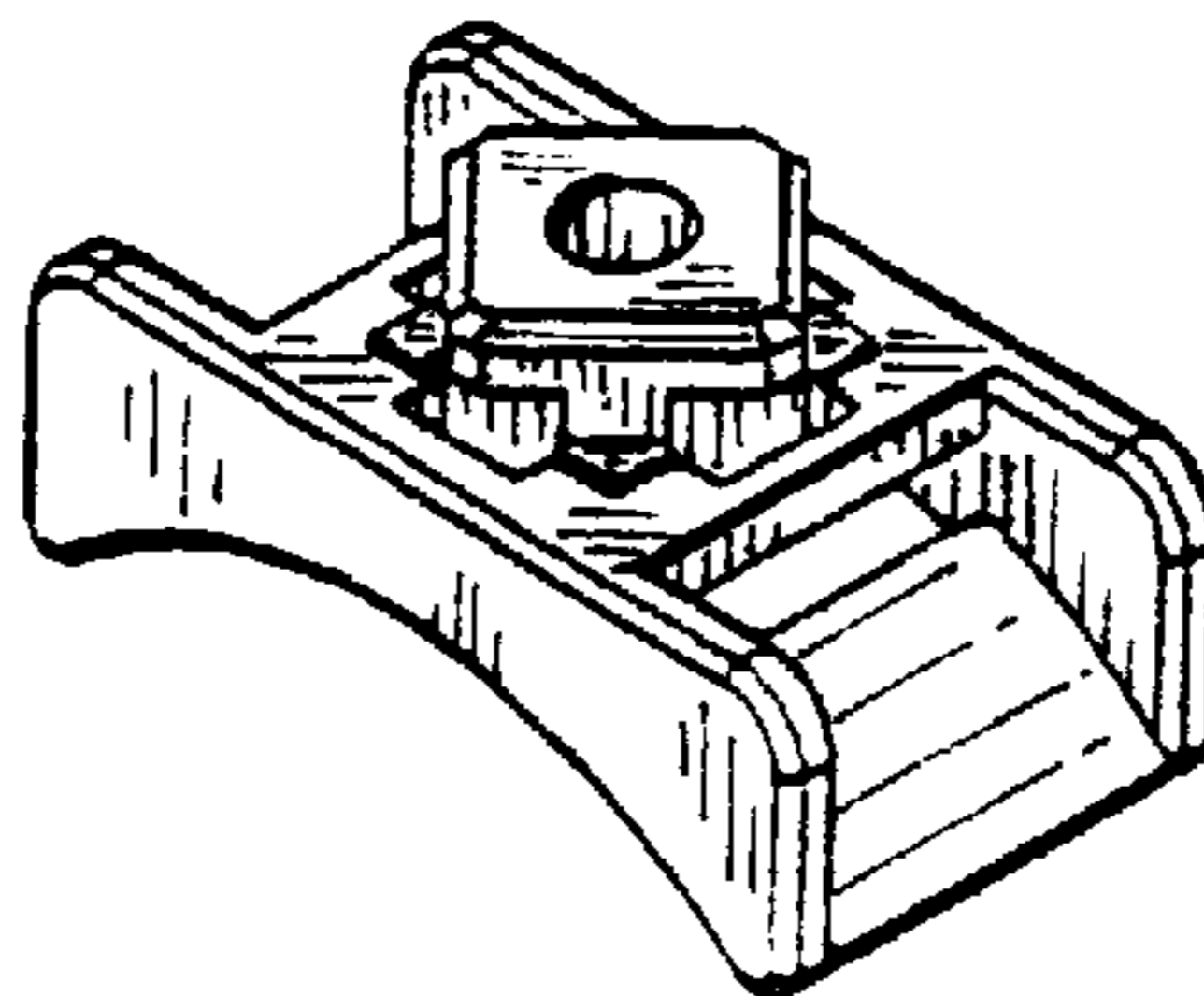
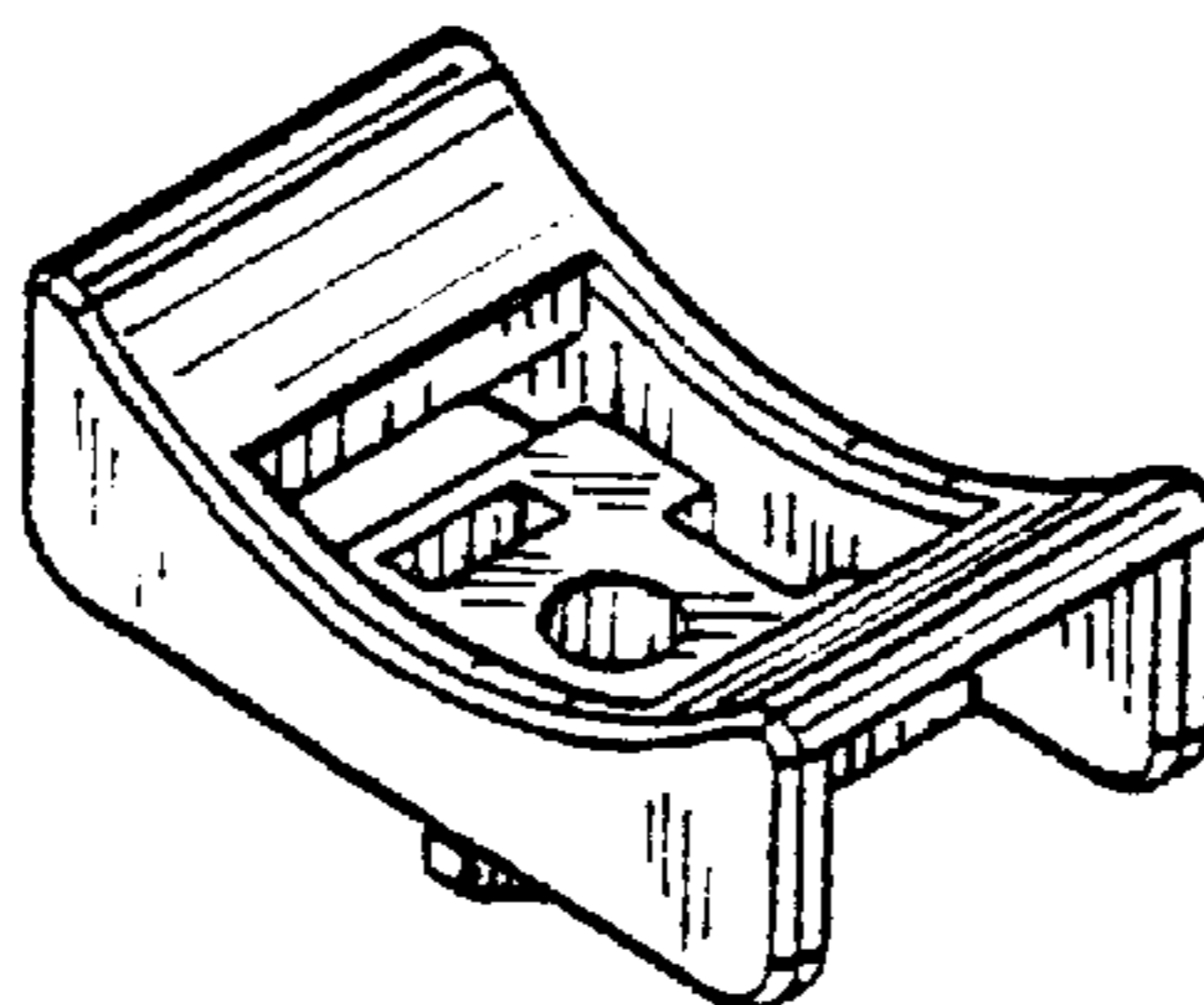
[57] **CLAIM**

The ornamental design for a cable strap support, as shown.

DESCRIPTION

FIG. 1 shows a front plan view thereof, the back being a mirror image;
FIG. 2 shows a top plan view thereof;
FIG. 3 shows a bottom plan view thereof;
FIG. 4 shows a right side plan view thereof;
FIG. 5 shows a left side plan view thereof;
FIG. 6 shows a perspective view along the top of the new design; and,
FIG. 7 shows a perspective view along the bottom of the new design.

1 Claim, 1 Drawing Sheet



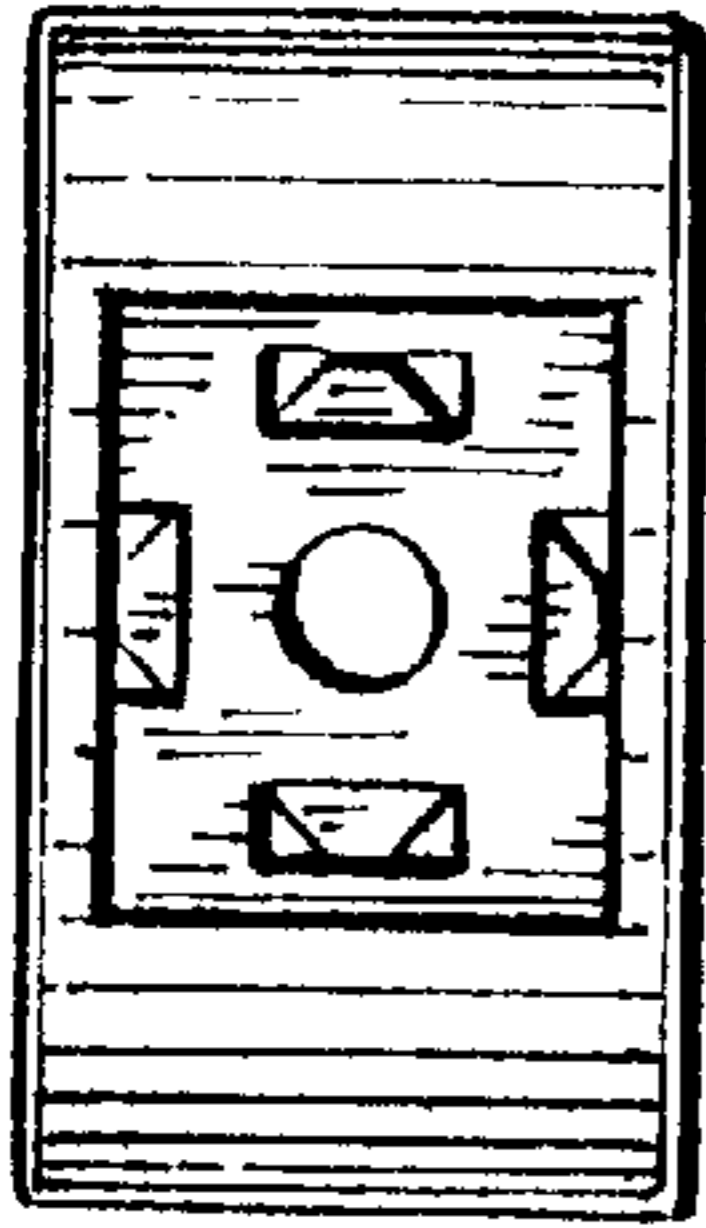


FIG. 2

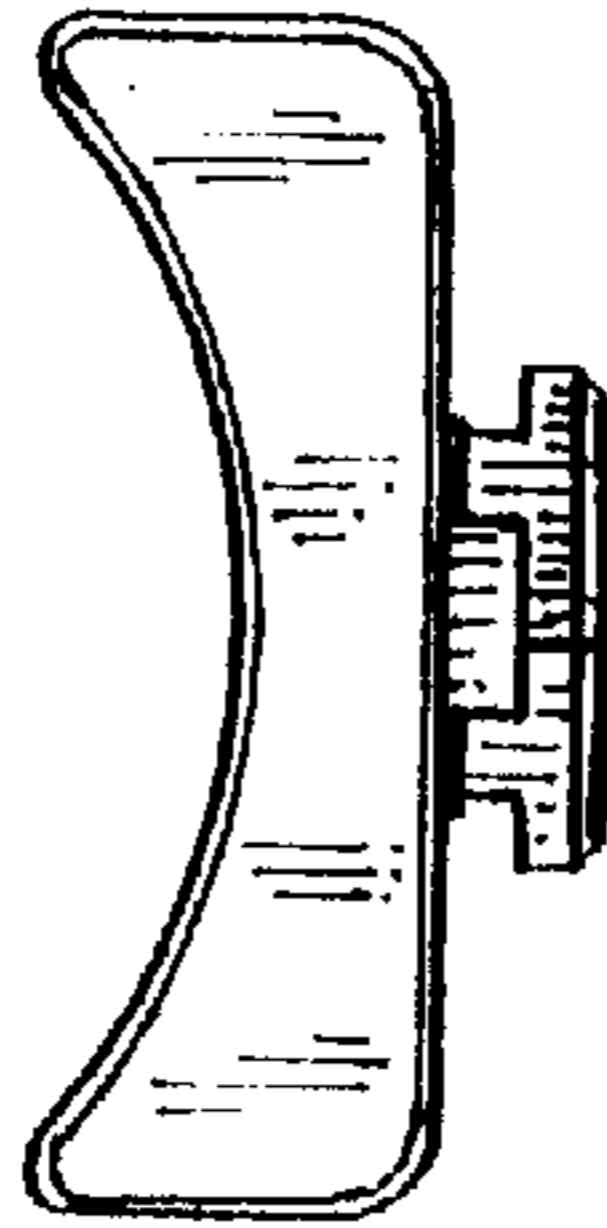


FIG. 1

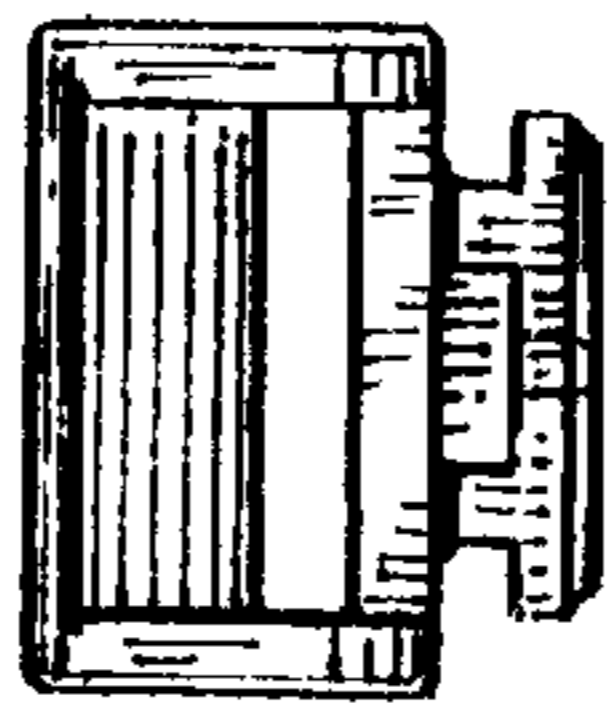


FIG. 5

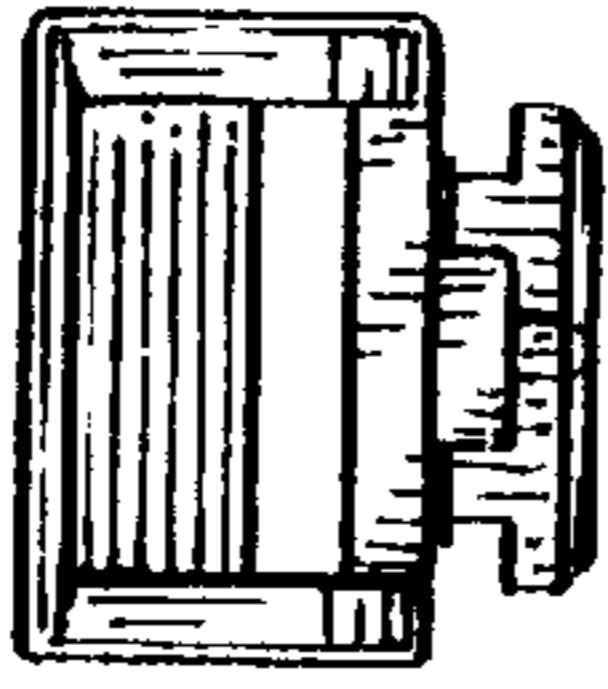


FIG. 4

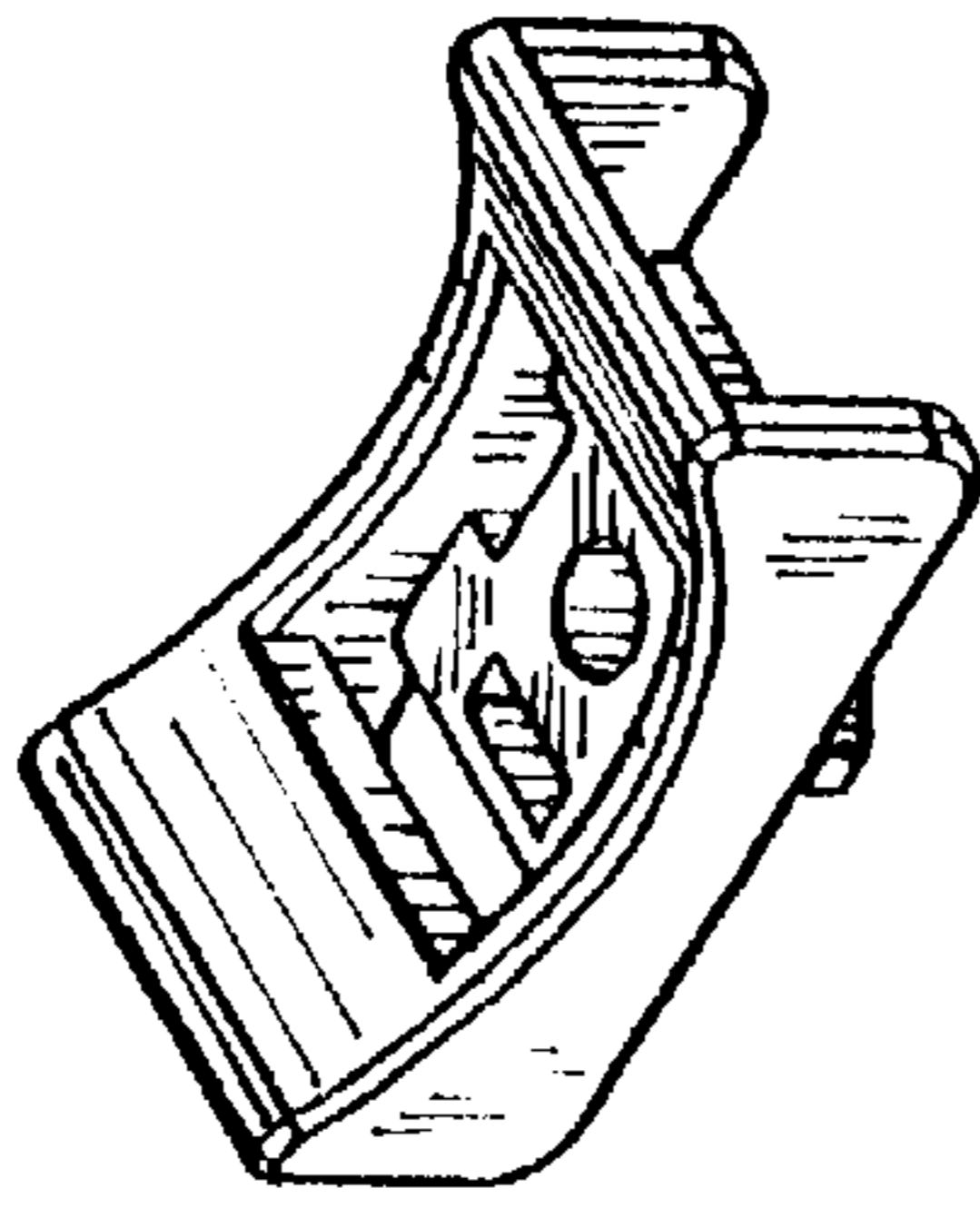


FIG. 6

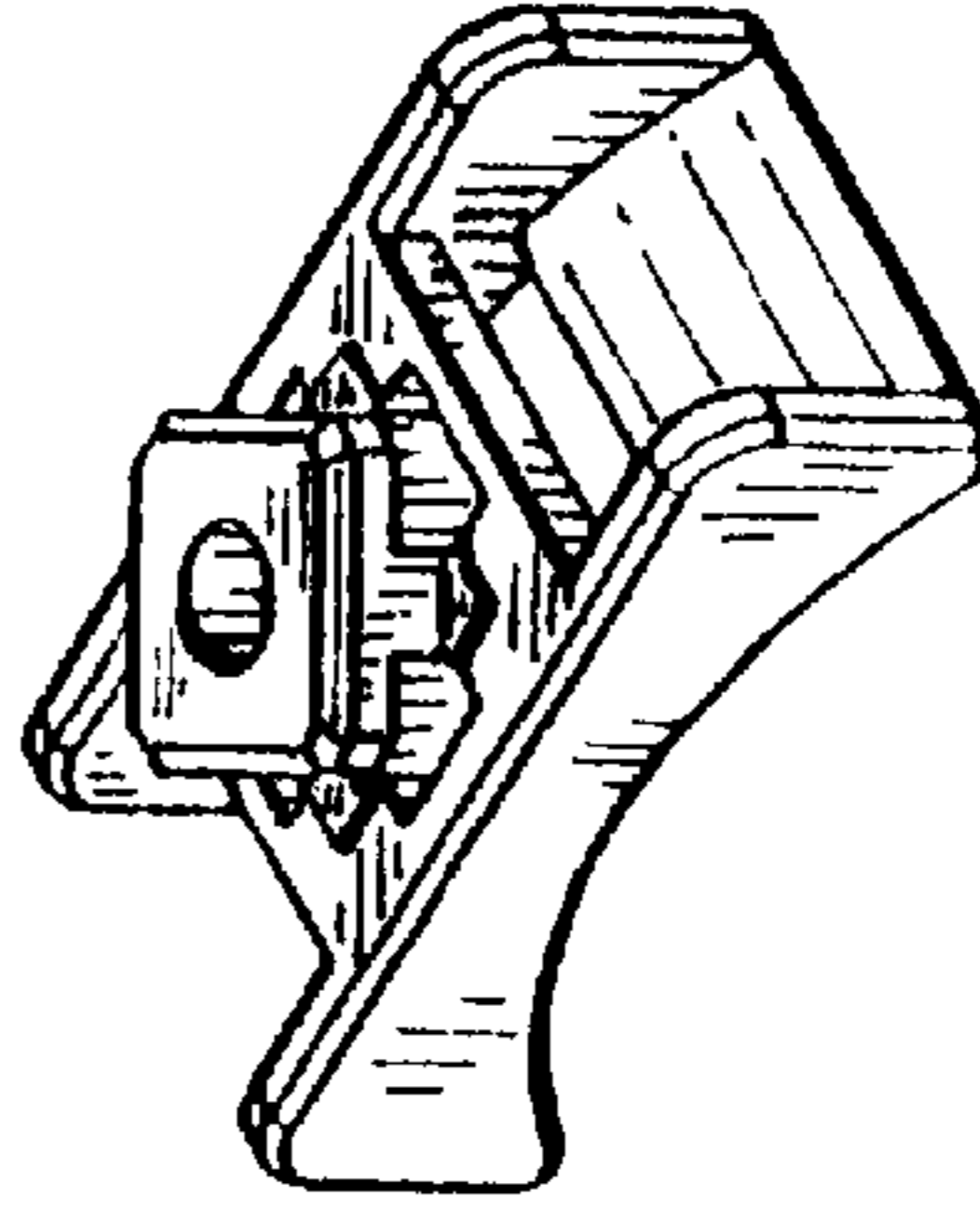


FIG. 7

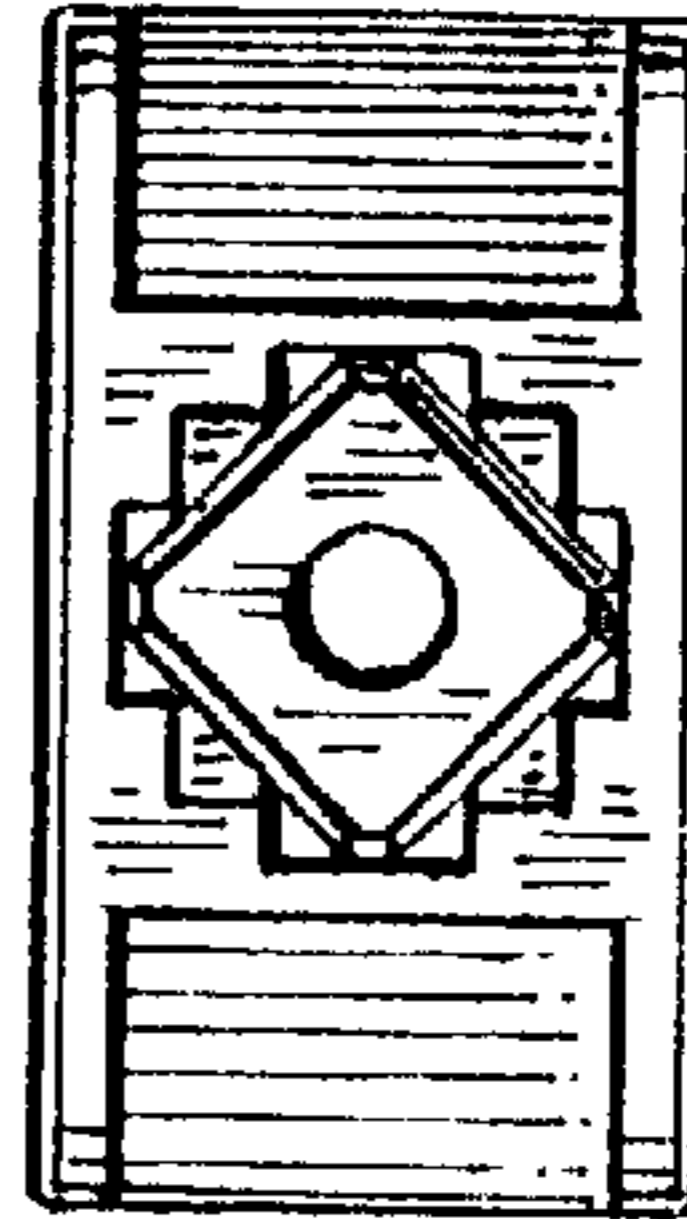


FIG. 3