



US00D399413S

United States Patent [19]

Lellos et al.

[11] **Patent Number: Des. 399,413**

[45] **Date of Patent: **Oct. 13, 1998**

[54] **KEY LOCK INSERT**

4,858,454 8/1989 McAnulty, III 70/455

[75] Inventors: **Brian P. Lellos**, Jersey City; **Jason D. Lellos**, North Bergen, both of N.J.

Primary Examiner—Ralf Seifert
Attorney, Agent, or Firm—Bryan Cave LLP

[73] Assignee: **SLT Incorporated**, Wayne, N.J.

[57] **CLAIM**

[**] Term: **14 Years**

The ornamental design for a key lock insert, as shown and described.

[21] Appl. No.: **76,341**

DESCRIPTION

[22] Filed: **Sep. 8, 1997**

FIG. 1 is a top view of the key lock insert of the invention; FIG. 2 is a bottom view of the key lock insert of the invention;

[51] **LOC (6) Cl.** **08-07**

[52] **U.S. Cl.** **D8/343**

FIG. 3 is a side view of the key lock insert of the invention, the opposite side being a mirror image thereof;

[58] **Field of Search** D3/207-212; 70/456 R, 70/440, 431, 455, 428; D8/343, 346

FIG. 4 is a front view of the key lock insert of the invention, the rear side being a mirror image thereof;

[56] **References Cited**

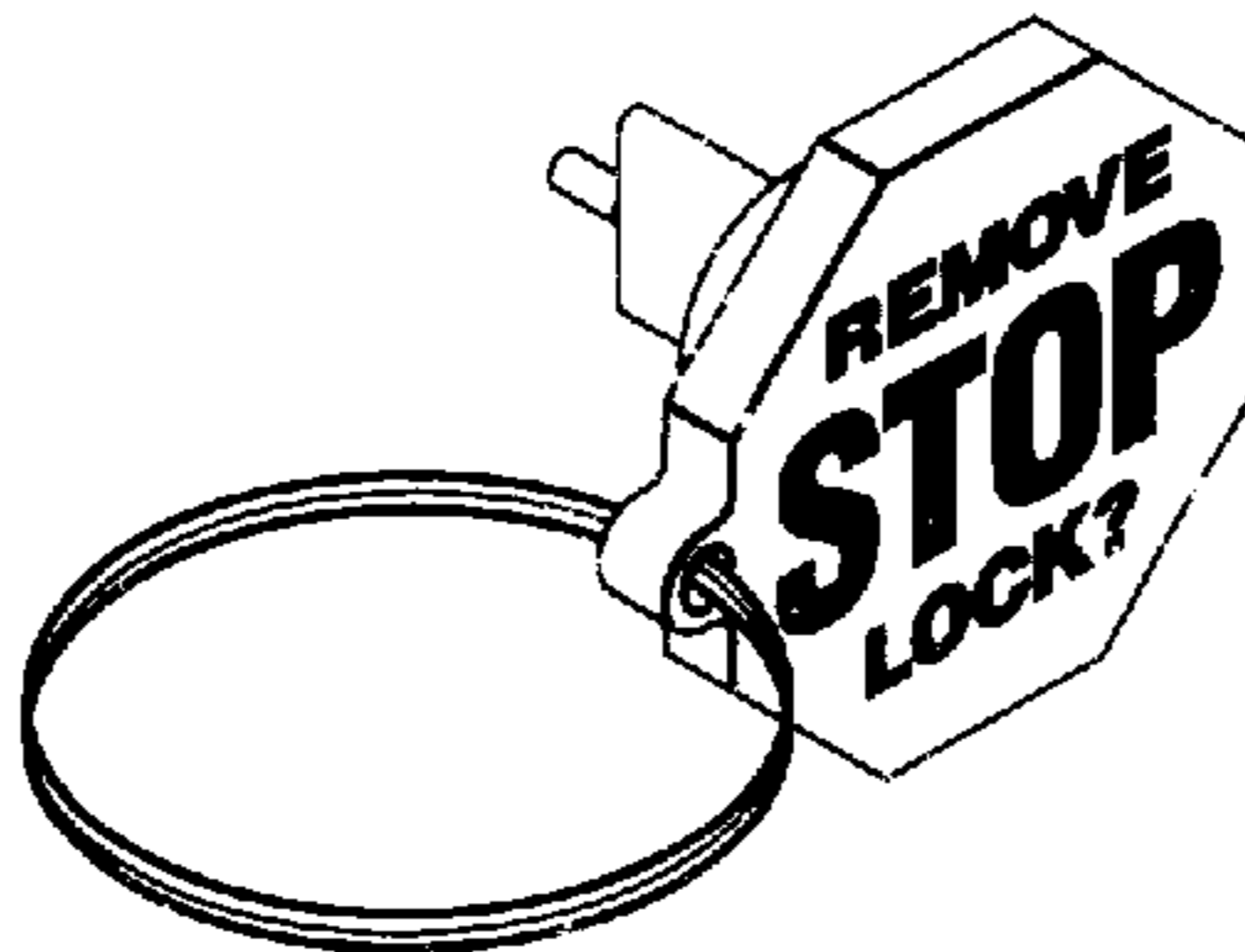
U.S. PATENT DOCUMENTS

3,475,934	11/1969	Reisner	70/428
4,282,732	8/1981	Bennett	70/455
4,825,673	5/1989	Drake	70/455

FIG. 5 is a first perspective view of the key lock insert of the invention; and,

FIG. 6 is another perspective view of the key lock insert of the invention.

1 Claim, 1 Drawing Sheet



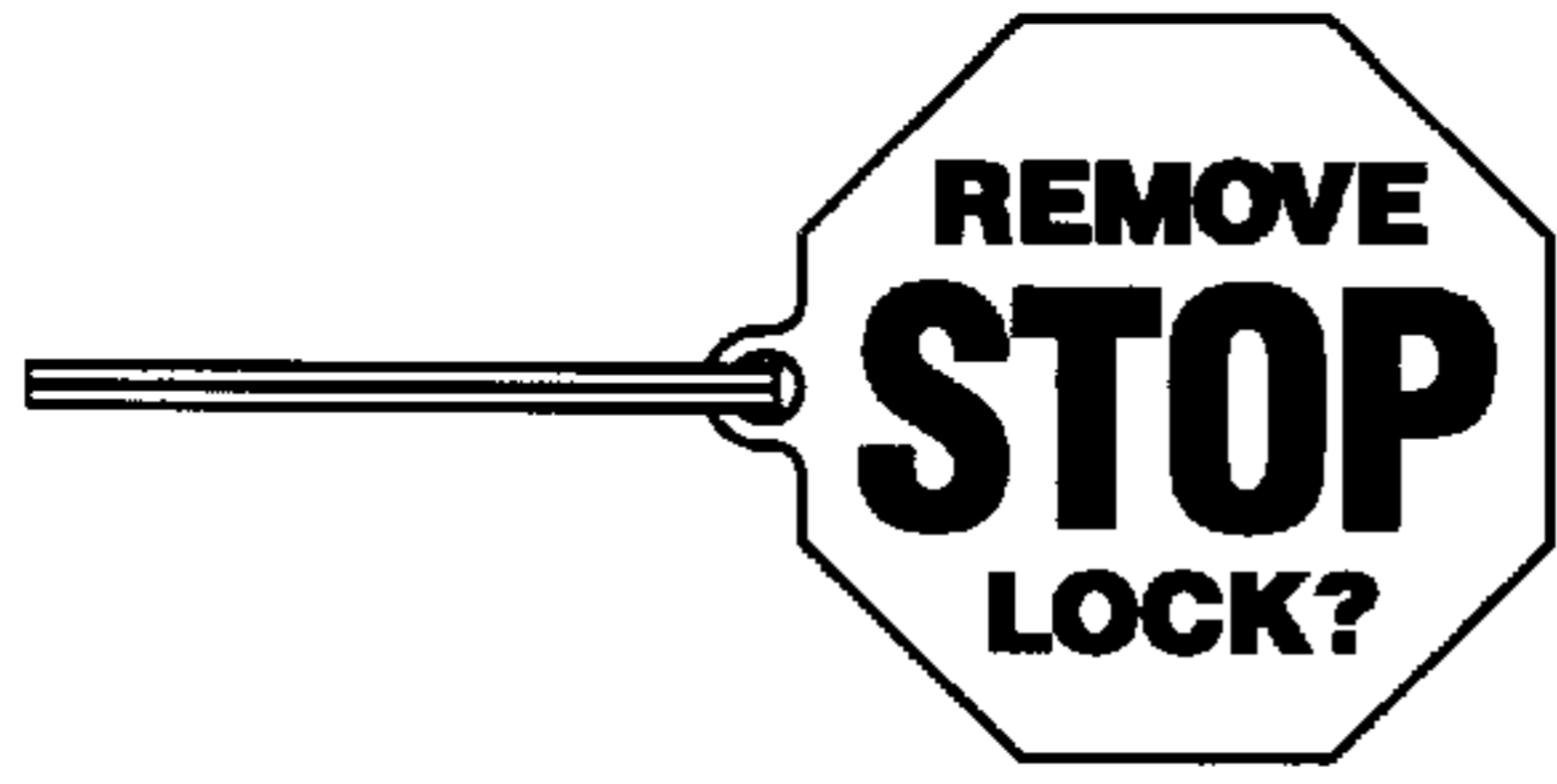


Fig. 1

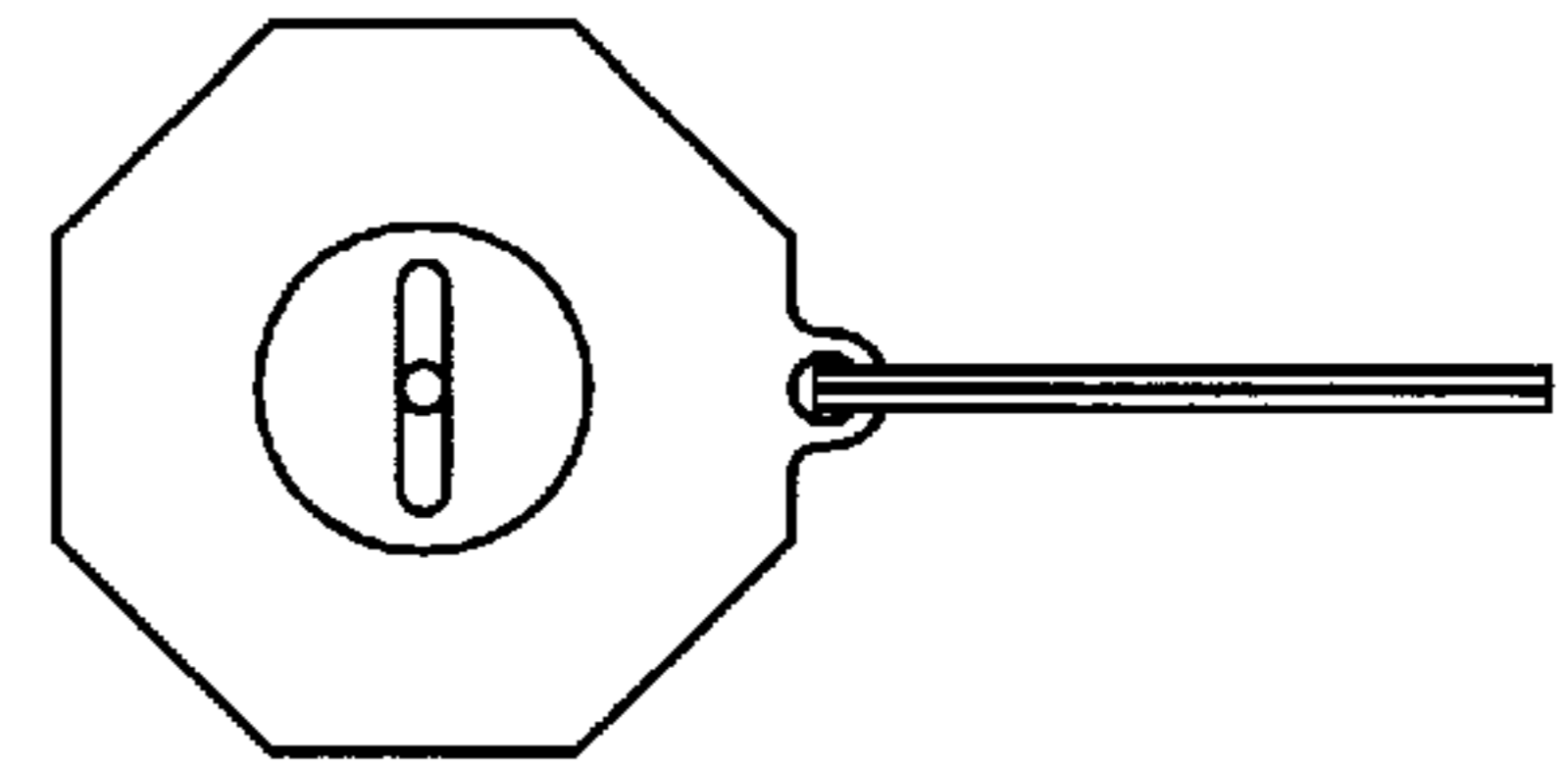


Fig. 2

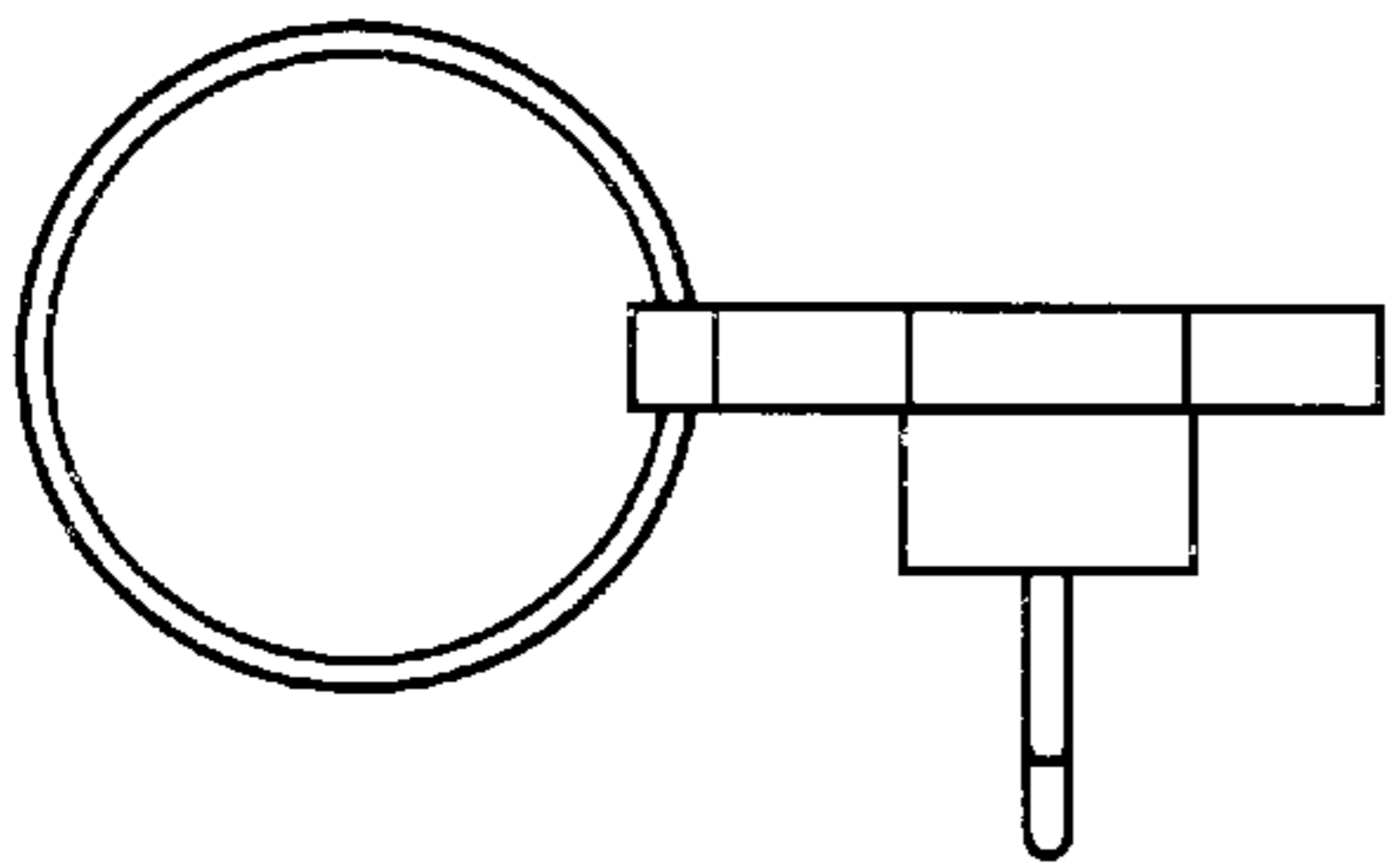


Fig. 3

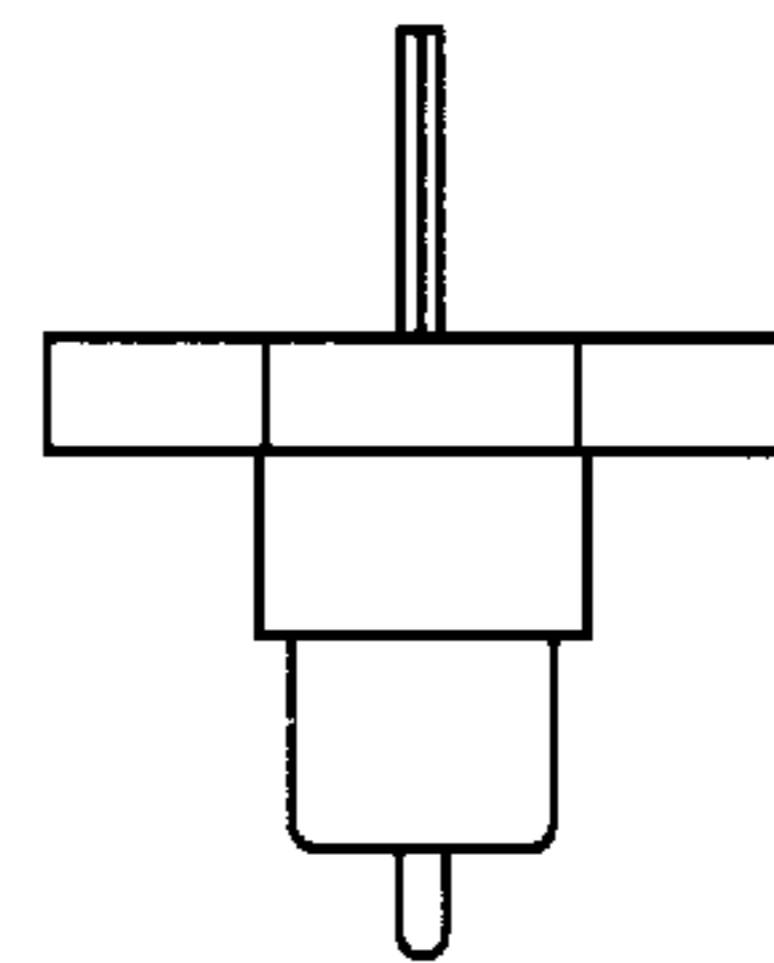


Fig. 4



Fig. 5

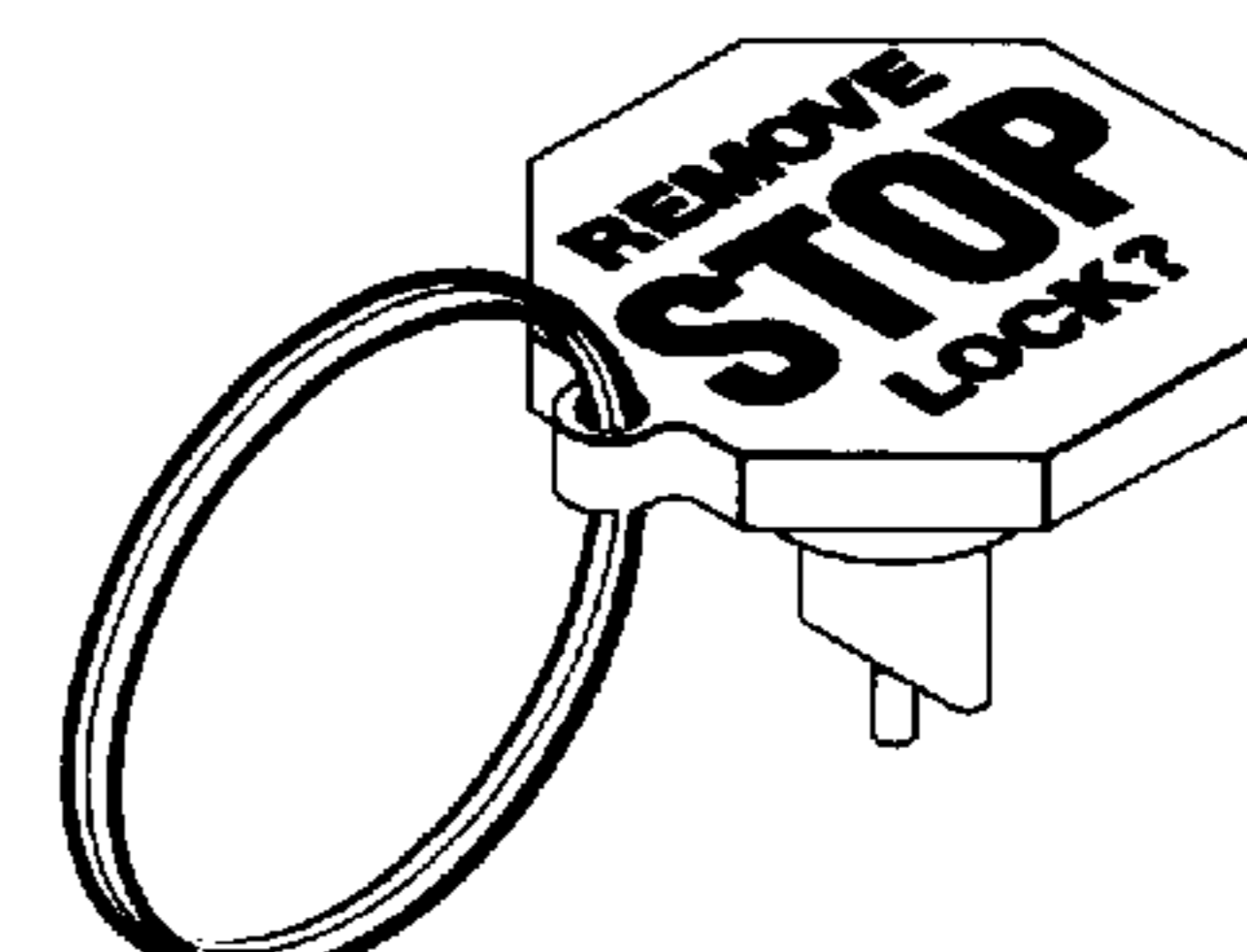


Fig. 6