



US00D399402S

**United States Patent** [19]  
**Unruh**

[11] **Patent Number: Des. 399,402**

[45] **Date of Patent: \*\*Oct. 13, 1998**

[54] **SHEET ROCK CUTTER**

[76] Inventor: **Everett L. Unruh**, P.O. Box 556,  
Roosevelt, Utah 84066

[\*\*] Term: **14 Years**

[21] Appl. No.: **66,799**

[22] Filed: **Feb. 21, 1997**

[51] **LOC (6) Cl.** ..... **08-03**

[52] **U.S. Cl.** ..... **D8/98**

[58] **Field of Search** ..... D8/99, 98, 14;  
30/294, 293, 296.1, 292

[56] **References Cited**

**U.S. PATENT DOCUMENTS**

D. 265,963	8/1982	Murdock et al.	.....	D8/98
4,503,612	3/1985	Davis	.....	30/294
4,606,124	8/1986	Figuroa	.....	30/293
4,949,462	8/1990	Spencer	.....	30/294
5,231,764	8/1993	Chang	.....	30/294
5,438,757	8/1995	Weschenfelder	.....	30/294

*Primary Examiner*—Philip S. Hyder

[57] **CLAIM**

The ornamental design for a sheet rock cutter, as shown.

**DESCRIPTION**

FIG. 1 is a front elevational view of the sheet rock cutter of the present invention;

FIG. 2 is a back elevational view of the sheet rock cutter of FIG. 1;

FIG. 3 is a left side elevational view of the sheet rock cutter of FIG. 1;

FIG. 4 is a right side elevational view of the sheet rock cutter of FIG. 1;

FIG. 5 is a top plan view of the sheet rock cutter of FIG. 1; and

FIG. 6 is a bottom plan view of the sheet rock cutter of FIG. 1; and,

FIG. 7 is a perspective view of the sheet rock cutter of FIG. 1.

**1 Claim, 4 Drawing Sheets**

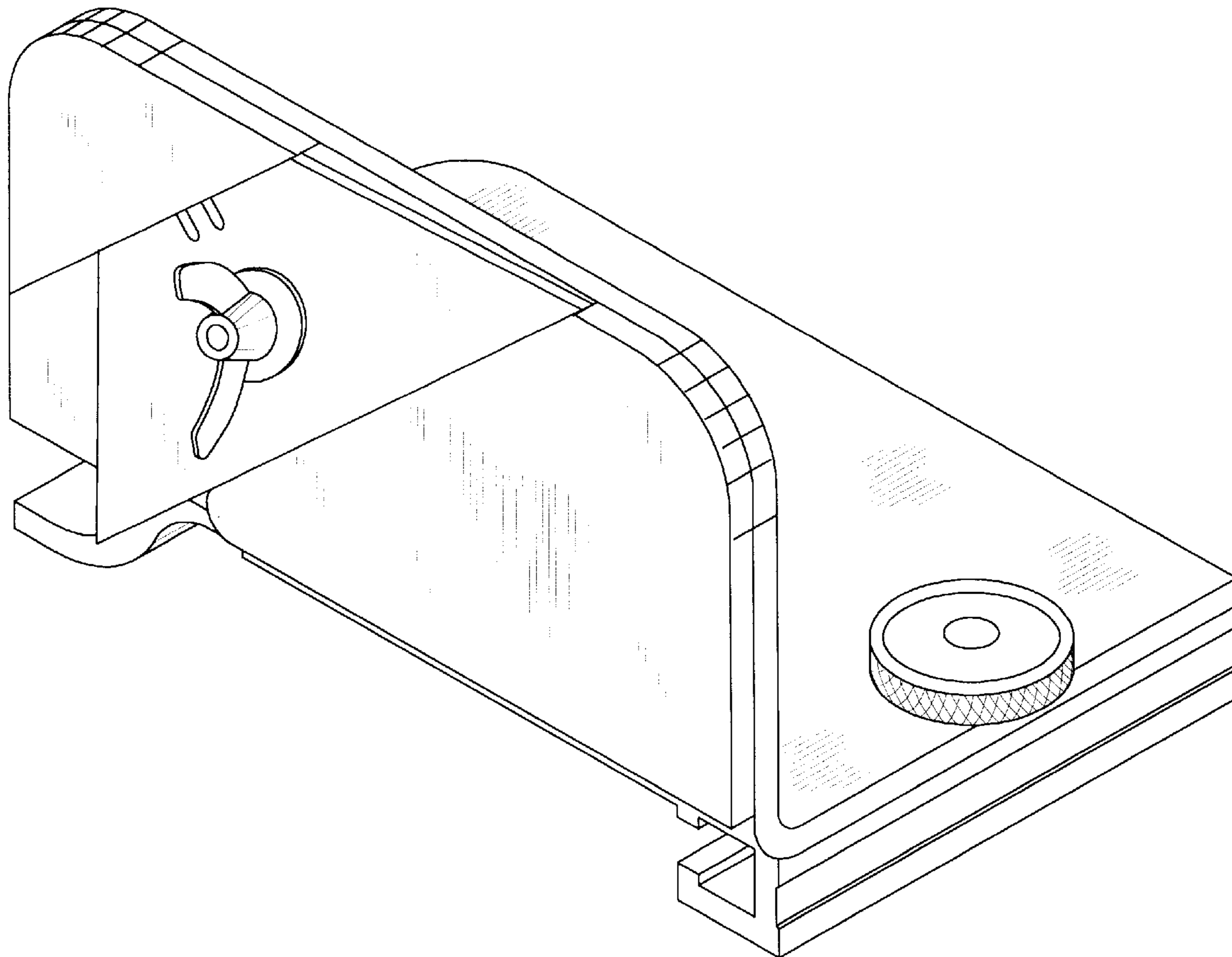


FIG. 1

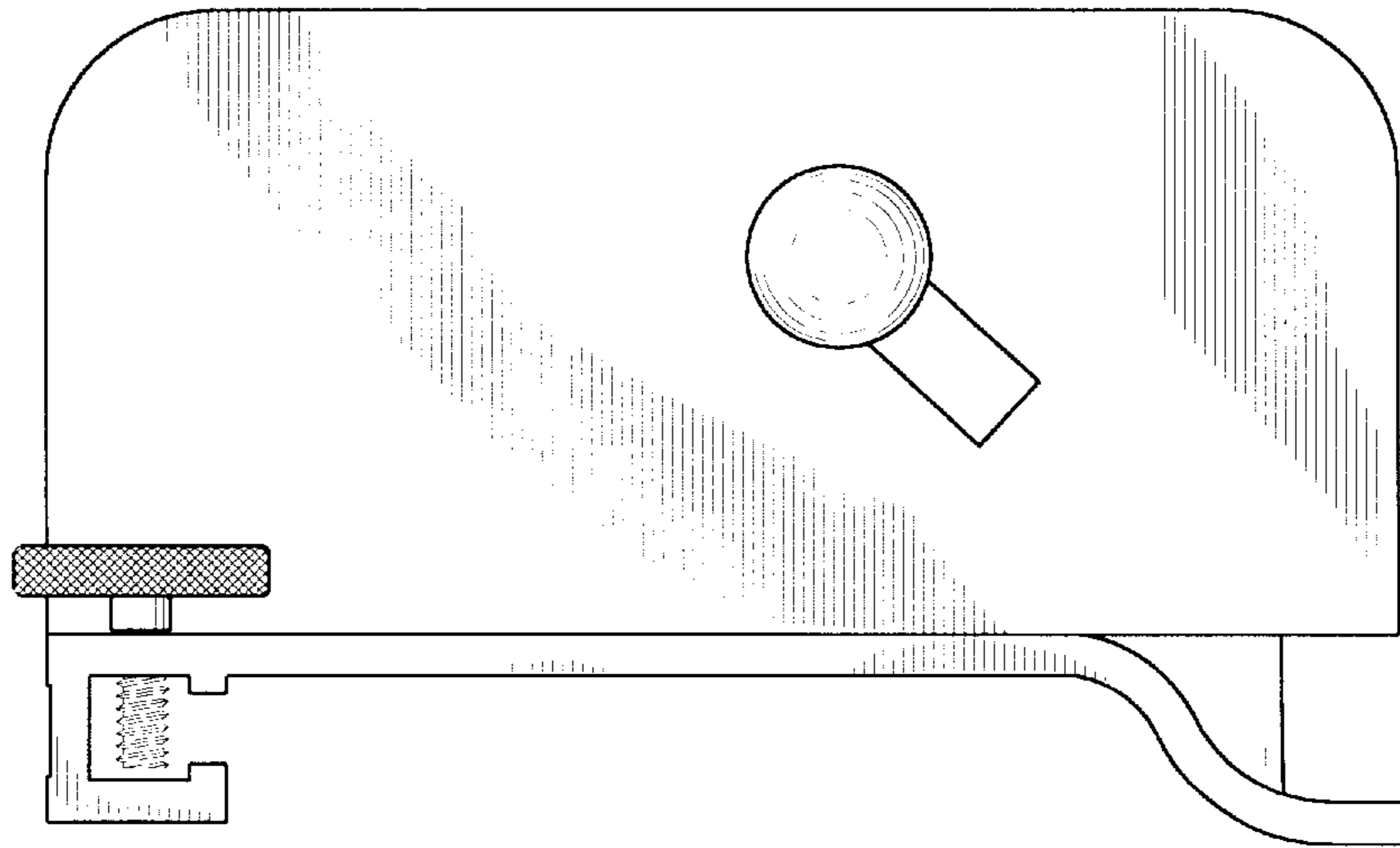
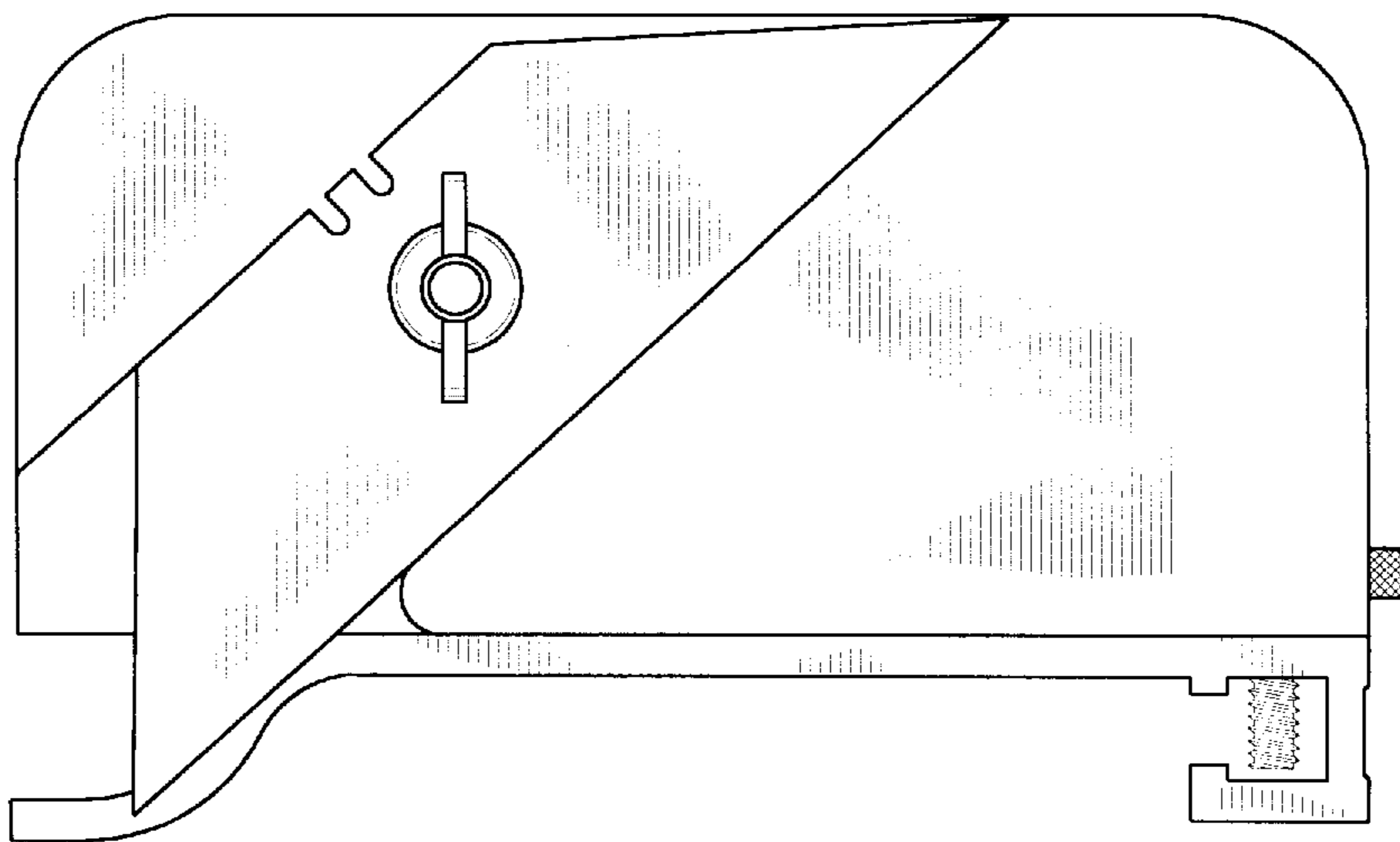


FIG. 2



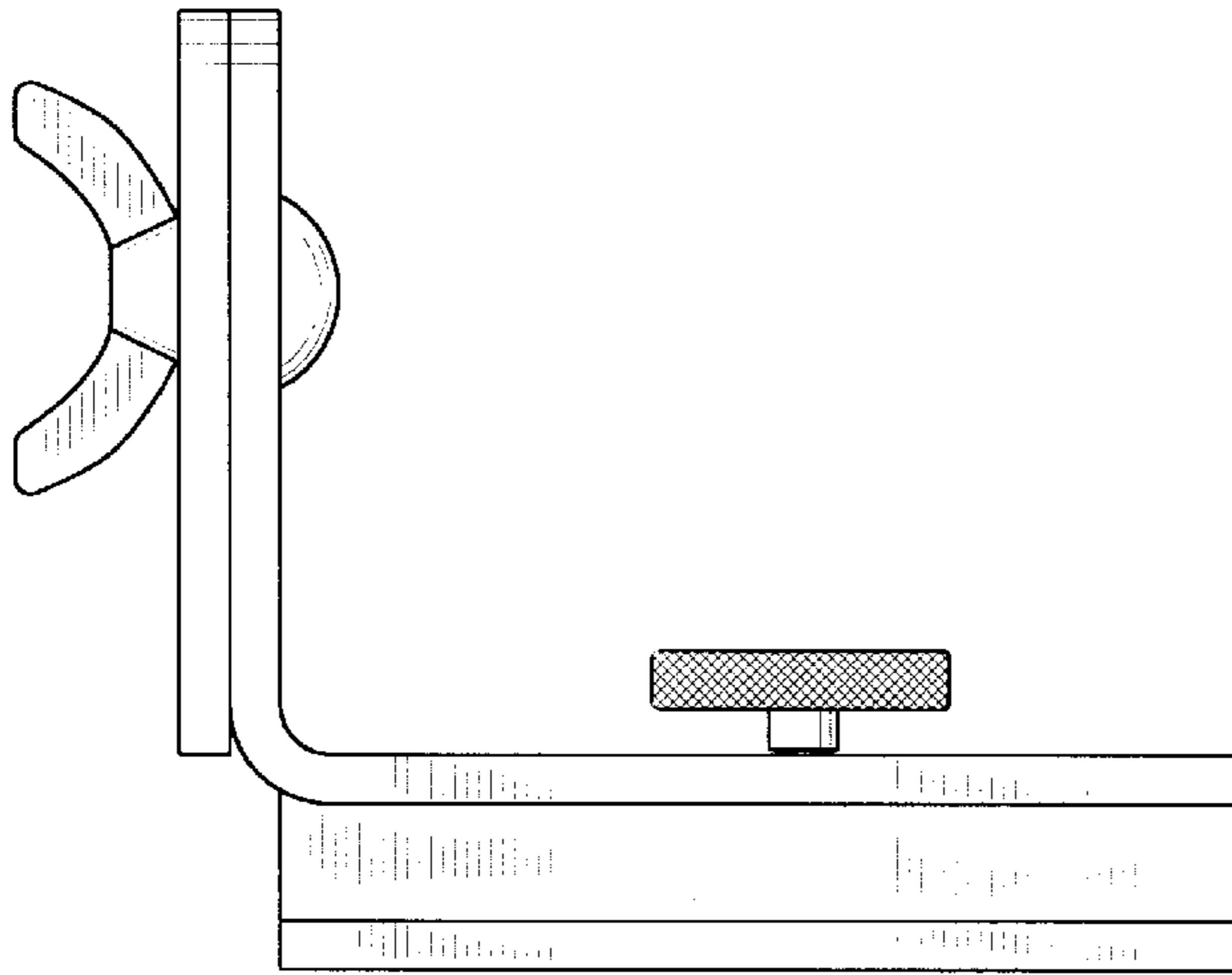


FIG. 3

FIG. 4

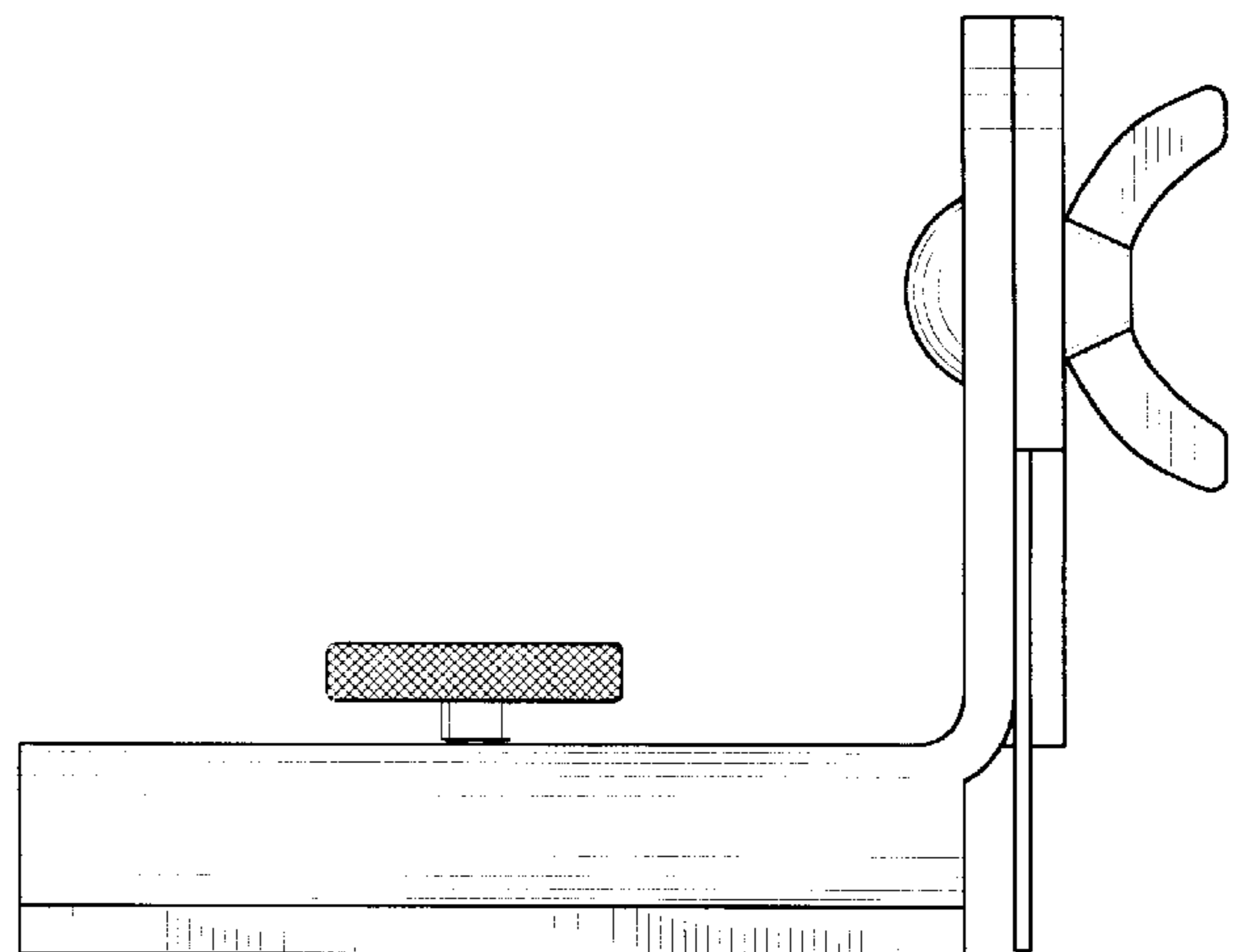


FIG. 5

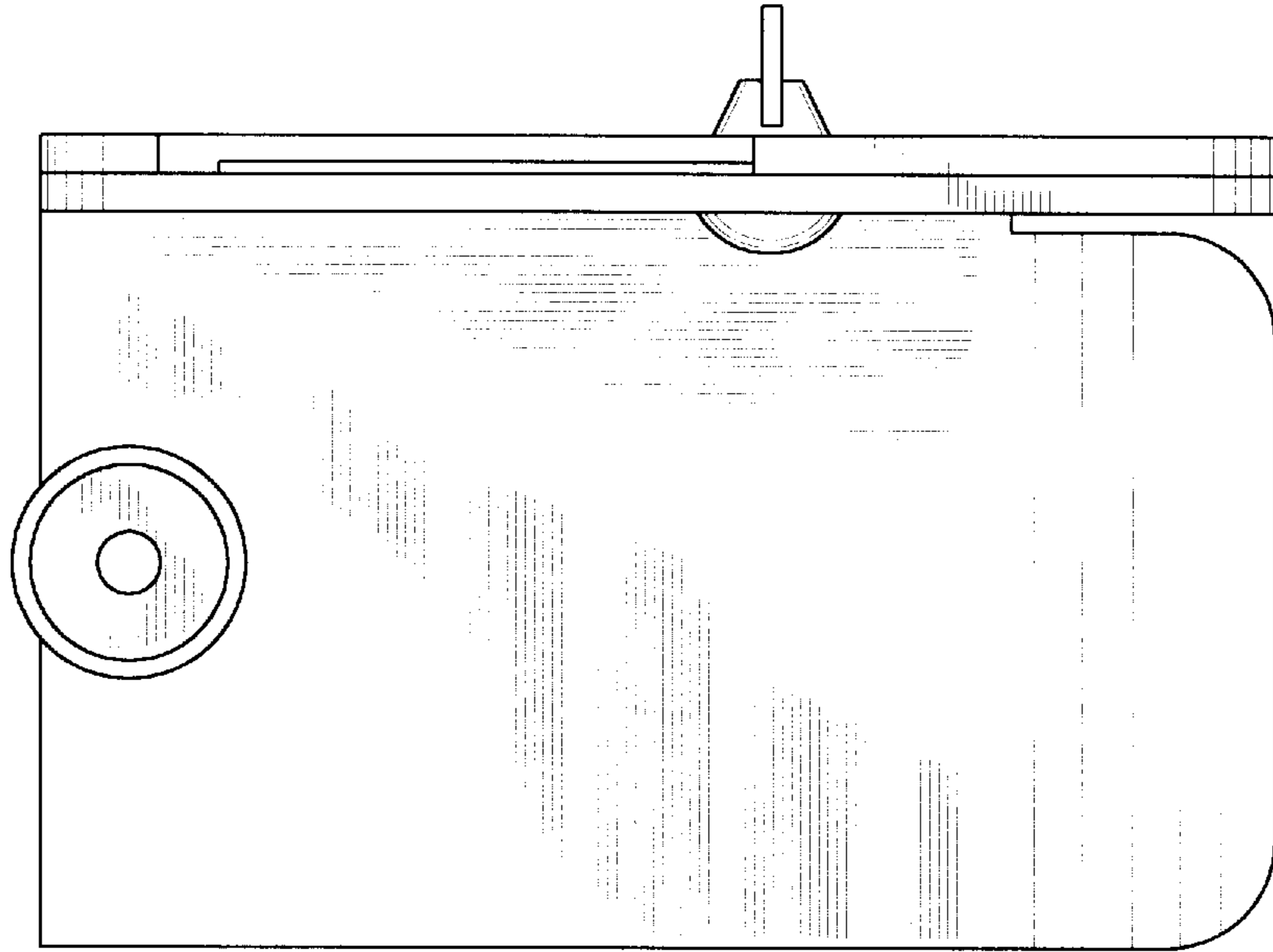


FIG. 6

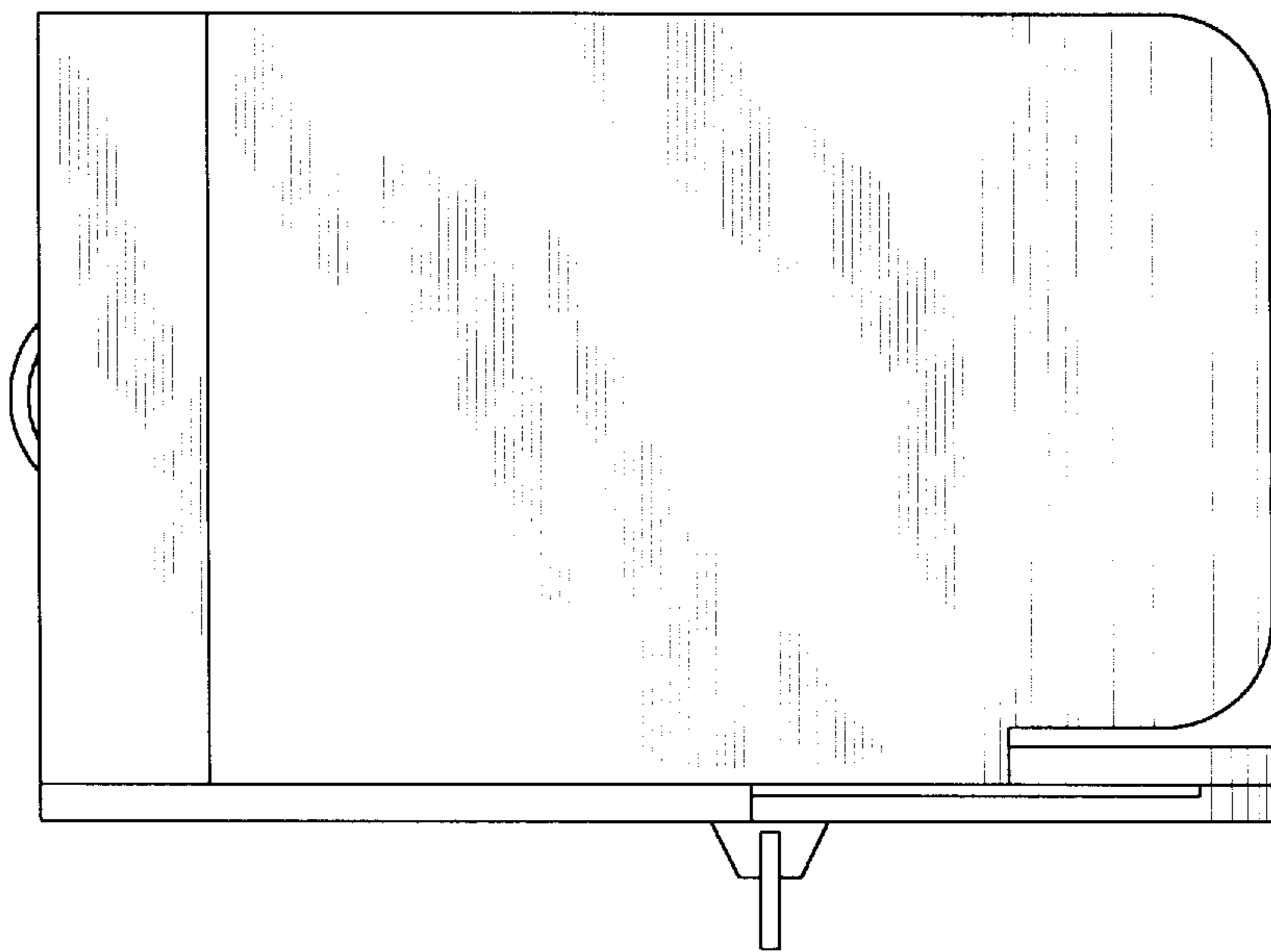


FIG. 7

