



US00D399401S

United States Patent [19]

Price et al.

[11] Patent Number: Des. 399,401

[45] Date of Patent: **Oct. 13, 1998

[54] MAIN BODY OF A CLAMP FOR A POWER TOOL

5,427,364 6/1995 Zborschil 269/249 X
5,730,434 3/1998 Schoene et al. 269/88

[75] Inventors: Scott D. Price, Singapore, Singapore;
William R. Stumpf, Kingsville, Md.

Primary Examiner—Antoine Duval Davis
Attorney, Agent, or Firm—Adan Ayala

[73] Assignee: Black & Decker Inc., Newark, Del.

[57] CLAIM

[**] Term: 14 Years

The ornamental design for a main body of a clamp for a power tool, as shown and described.

[21] Appl. No.: 83,112

DESCRIPTION

[22] Filed: Dec. 19, 1997

Related U.S. Application Data

[63] Continuation of Ser. No. 65,567, Jan. 29, 1997.

[51] LOC (6) Cl. 08-05

[52] U.S. Cl. D8/72

[58] Field of Search D8/72; 24/514,
24/525, 569; 83/466, 464, 452, 468.2, 468.7,
471.3, 467.1, 745, 859; 144/282; 269/76,
88, 249; 248/231.7; 403/209, 373

FIG. 1 is a left side elevational view of a first embodiment of a main body of a clamp for a power tool showing our new design;

FIG. 2 is a right side elevational view of the first embodiment;

FIG. 3 is a front elevational view of the first embodiment;

FIG. 4 is a rear elevational view of the first embodiment;

FIG. 5 is a top plan view of the first embodiment; and,

FIG. 6 is a left side perspective view of the first embodiment.

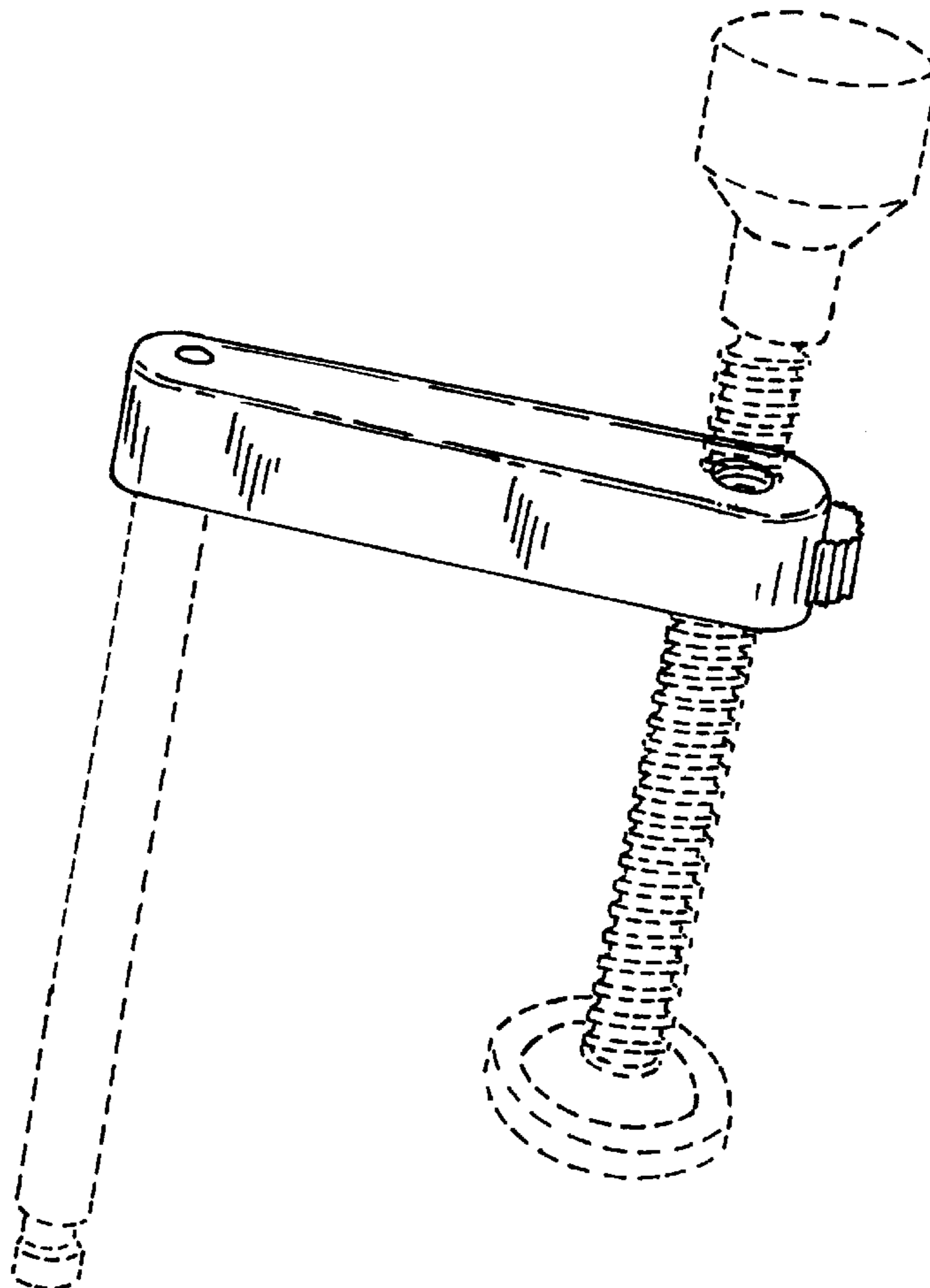
In the attached drawings, any broken line illustration is not part of the design sought to be patented.

[56] References Cited

U.S. PATENT DOCUMENTS

D. 236,941 9/1975 Seaverns D8/72

1 Claim, 3 Drawing Sheets



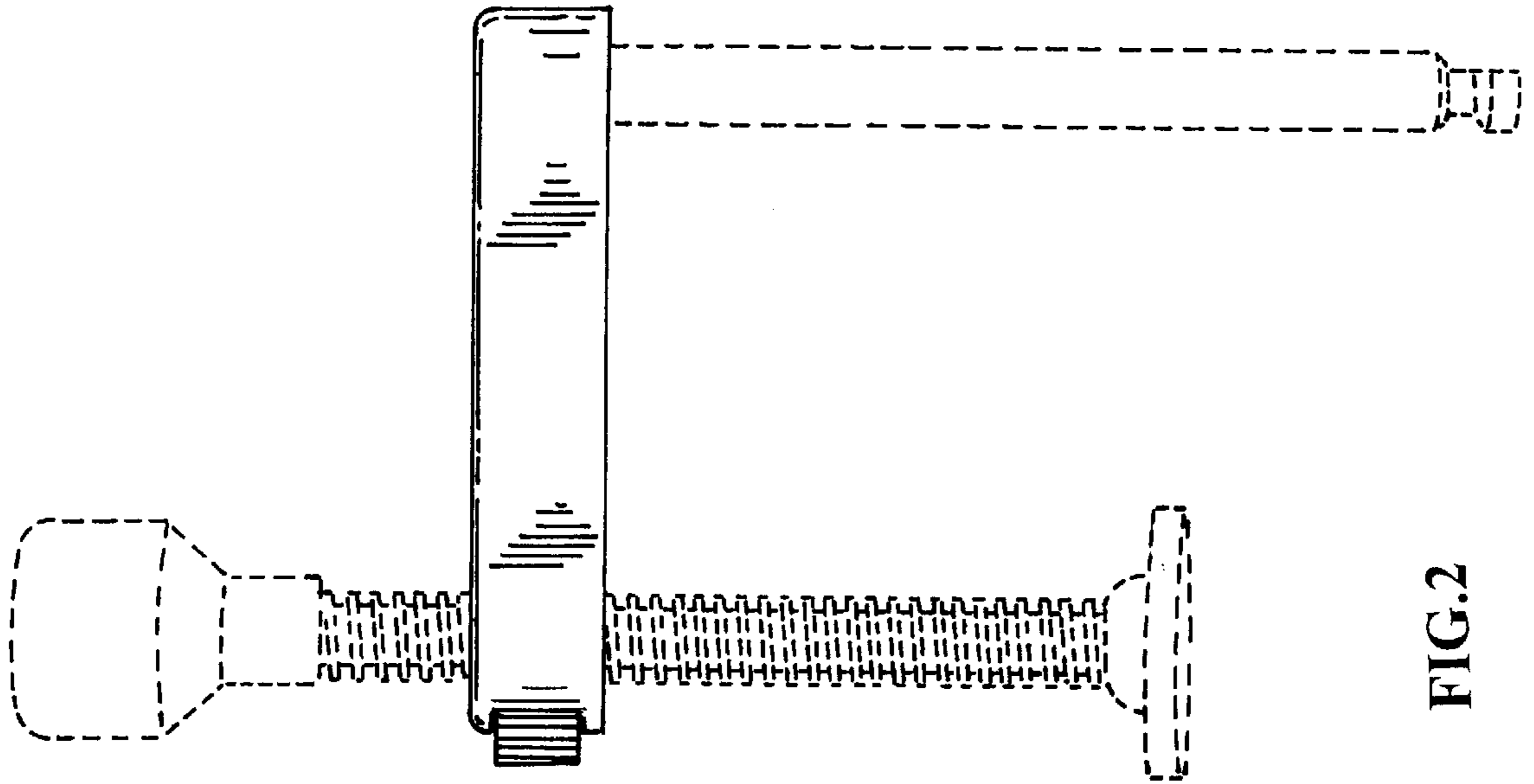


FIG.2

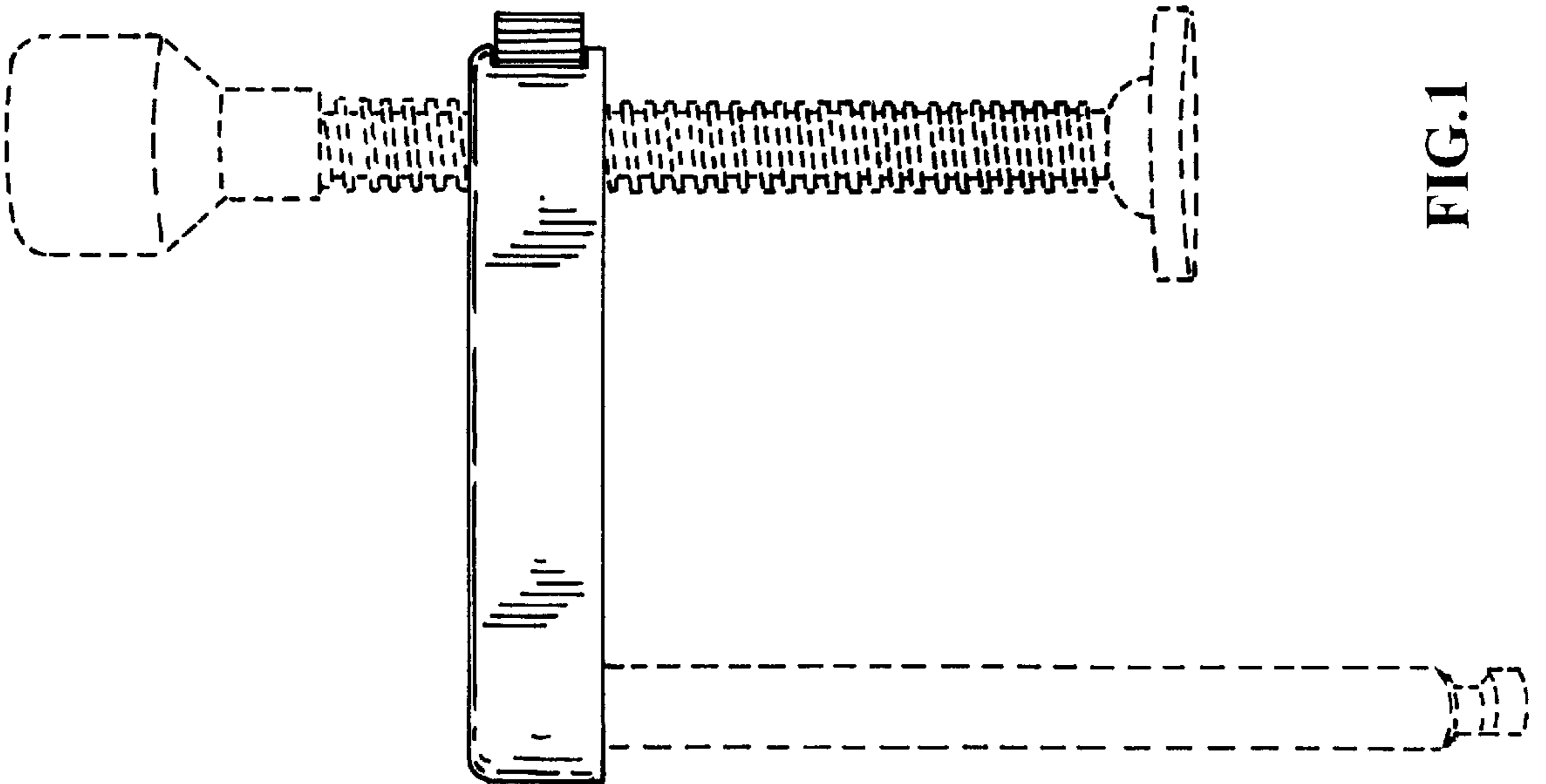


FIG.1

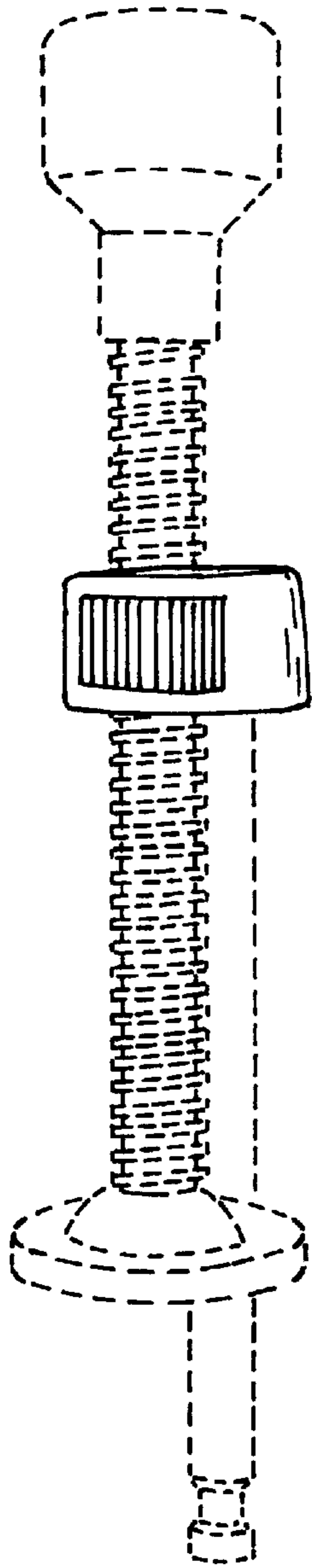


FIG.3

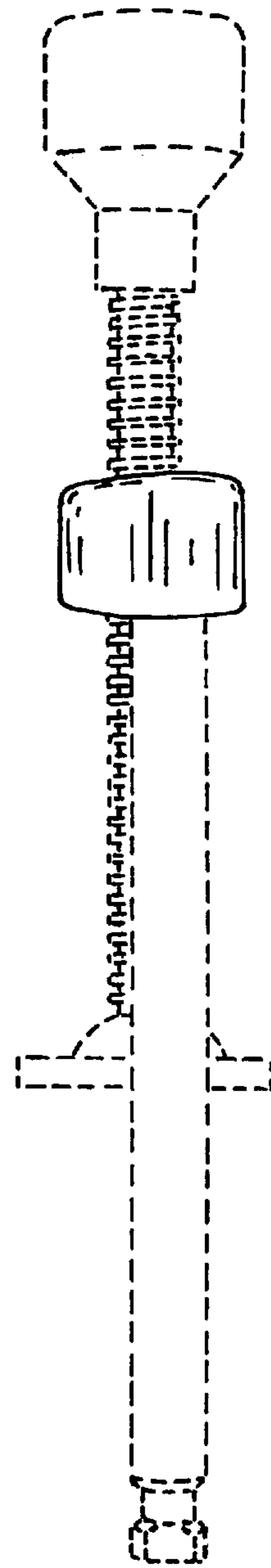


FIG.4

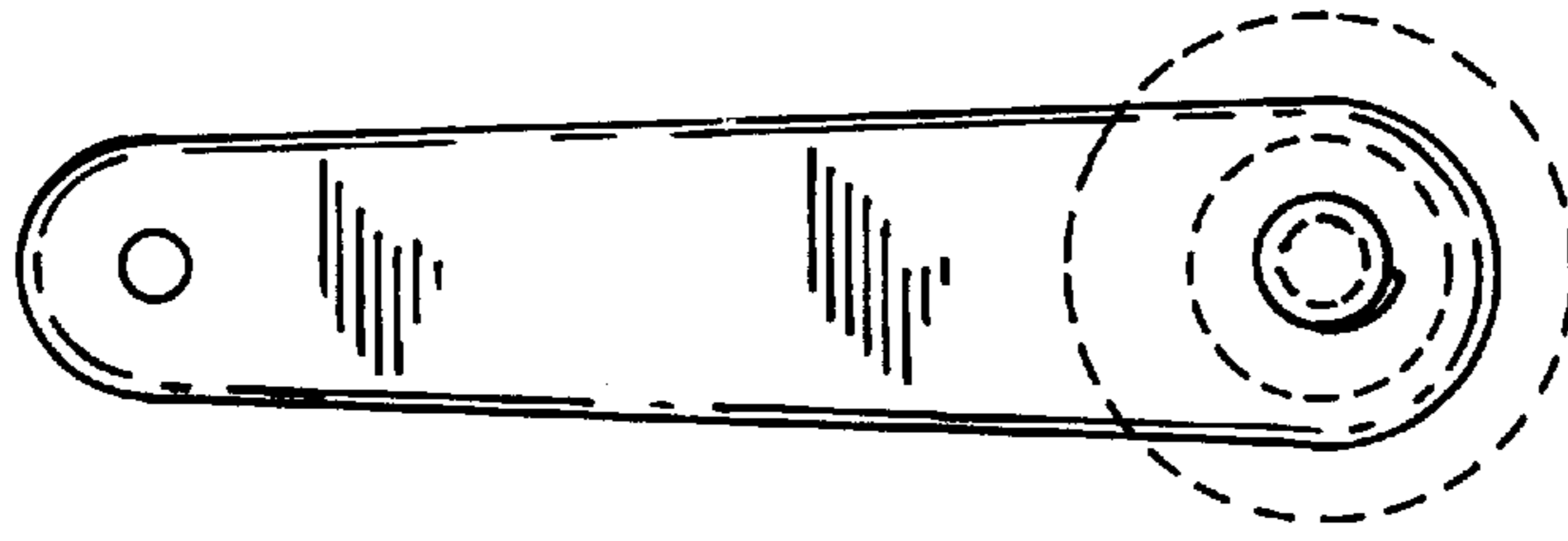


FIG.5

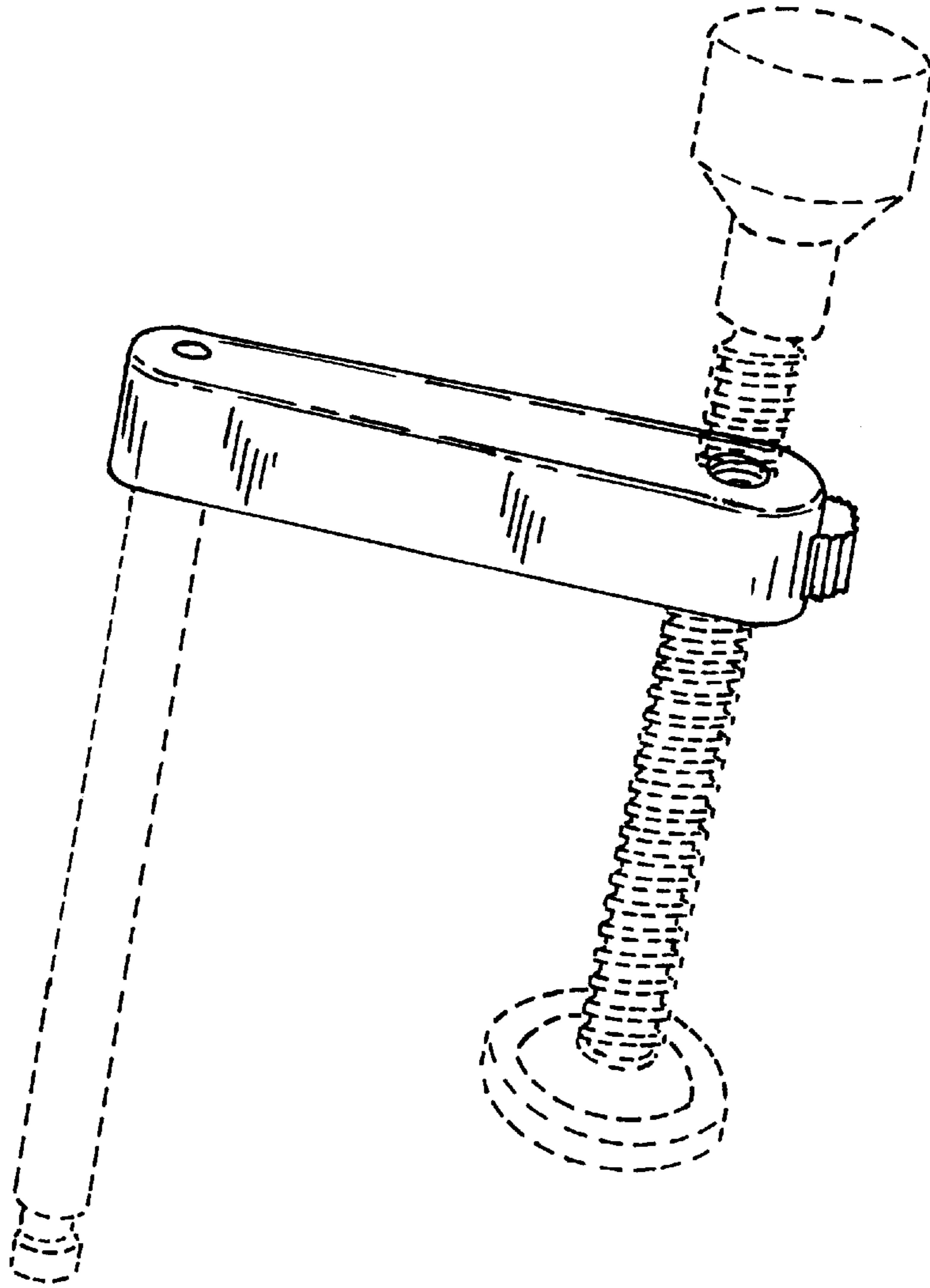


FIG.6