



US00D399399S

United States Patent [19] Huang

[11] **Patent Number: Des. 399,399**

[45] **Date of Patent: **Oct. 13, 1998**

[54] **PIPE CUTTER**

3,022,575 2/1962 Wright 30/102
3,403,442 10/1968 Reese et al. 30/102

[76] Inventor: **Wu Sheng Huang**, P.O. Box 63-99,
Taichung, Taiwan

Primary Examiner—Freda Nunn

[**] Term: **14 Years**

[57] CLAIM

[21] Appl. No.: **65,695**

The ornamental design for a pipe cutter, as shown and described.

[22] Filed: **Jan. 13, 1997**

DESCRIPTION

[51] **LOC (6) Cl.** **08-03**

FIG. 1 is a perspective view of a pipe cutter showing my new design;

[52] **U.S. Cl.** **D8/60**

FIG. 2 is a front elevational view thereof;

[58] **Field of Search** D8/60; 30/95,
30/96, 101, 102, 91.2

FIG. 3 is a rear elevational view thereof;

FIG. 4 is a top plan view thereof;

FIG. 5 is a bottom plan view thereof;

FIG. 6 is a left side elevational view thereof;

FIG. 7 is a right side elevational view thereof; and,

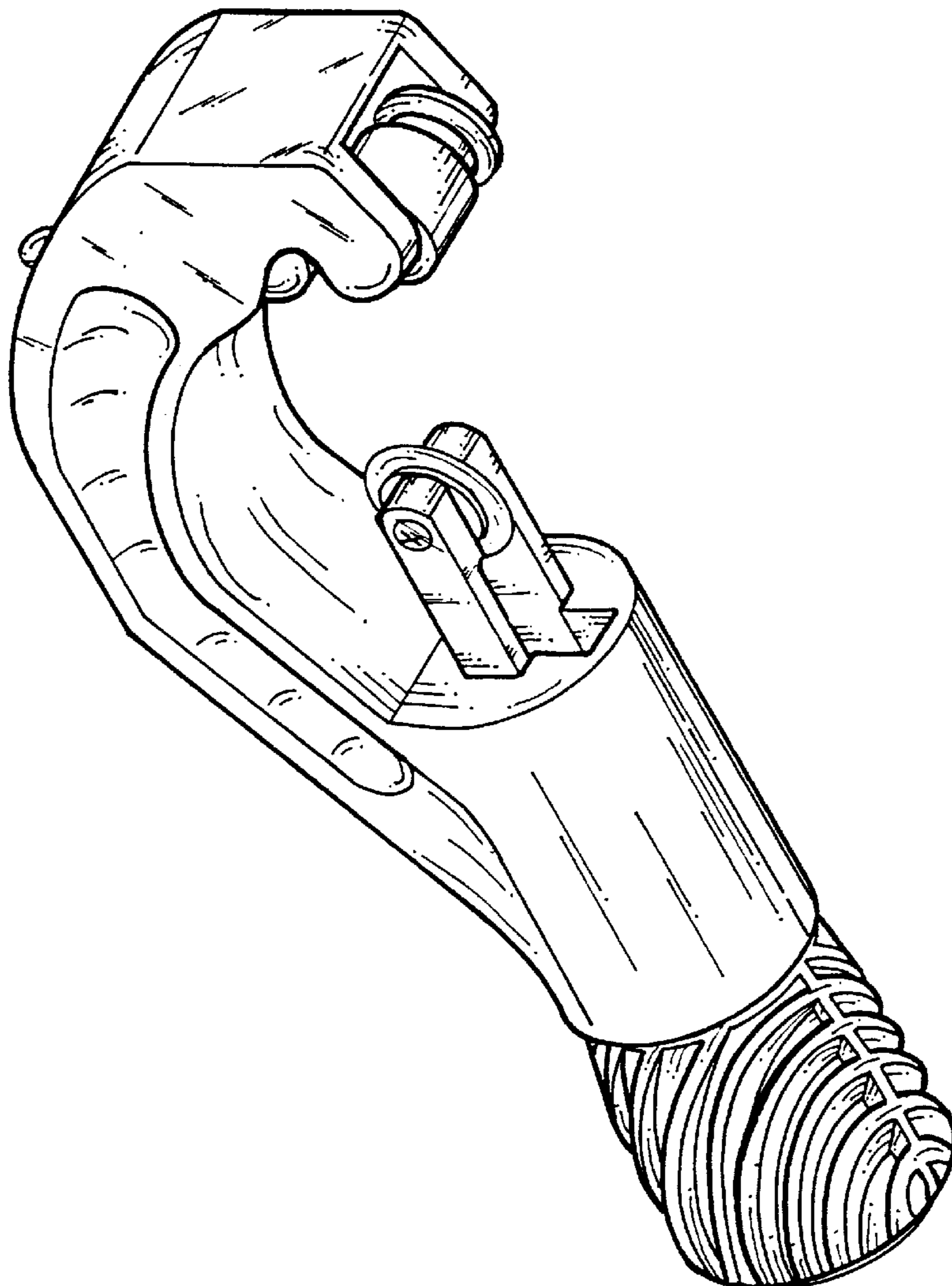
FIG. 8 is a perspective view embodying the utilization of my new design the broken lines being shown for illustrative purposes only and form no part of the claimed design.

[56] References Cited

U.S. PATENT DOCUMENTS

D. 161,438	1/1951	Franck	D8/60
D. 191,011	8/1961	Noveske	D8/60
D. 192,447	3/1962	Ayer	D8/60
D. 367,213	2/1996	Azkona	D8/60
2,787,054	4/1957	Franck	30/102

1 Claim, 4 Drawing Sheets



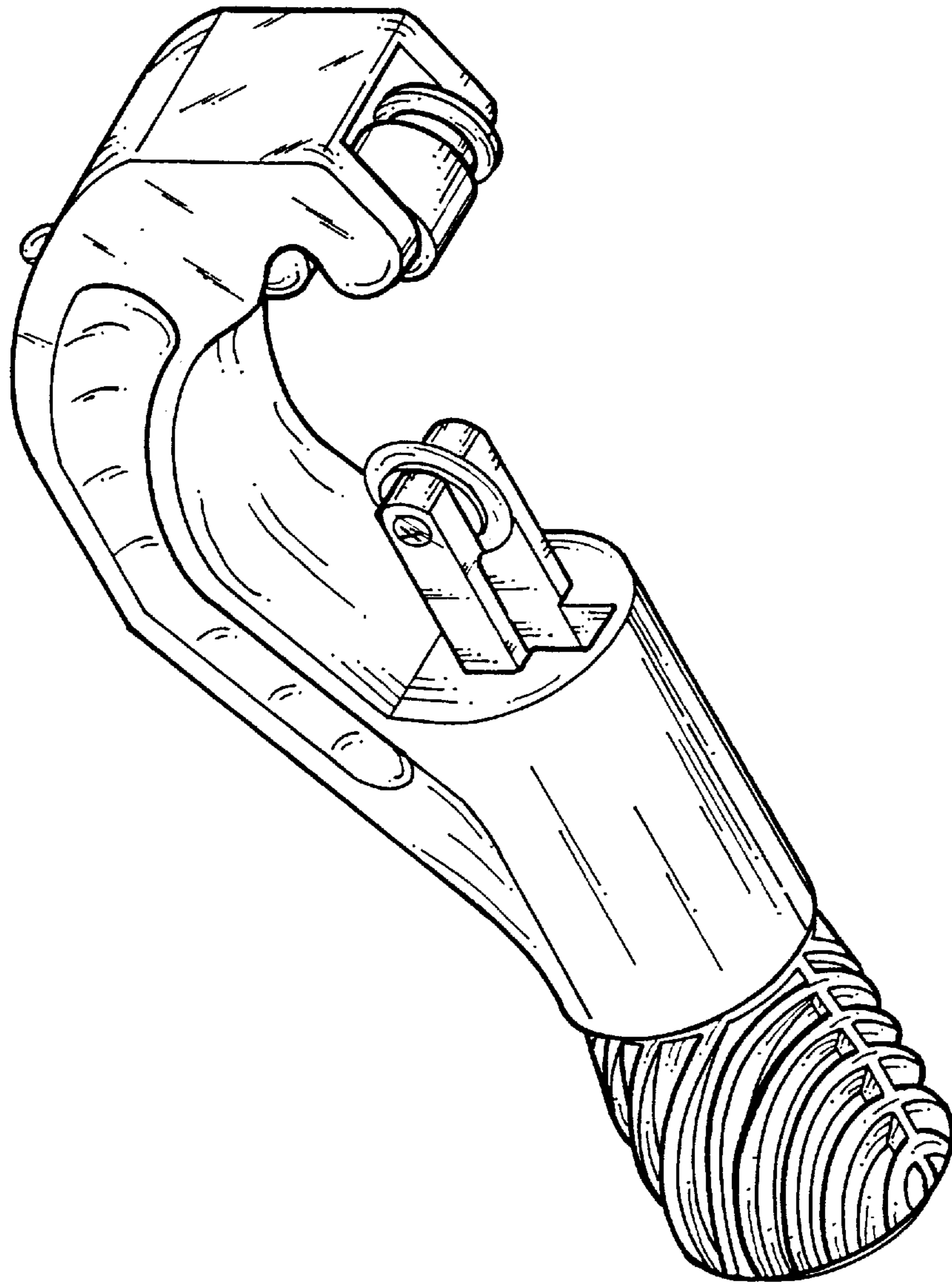


FIG. 1

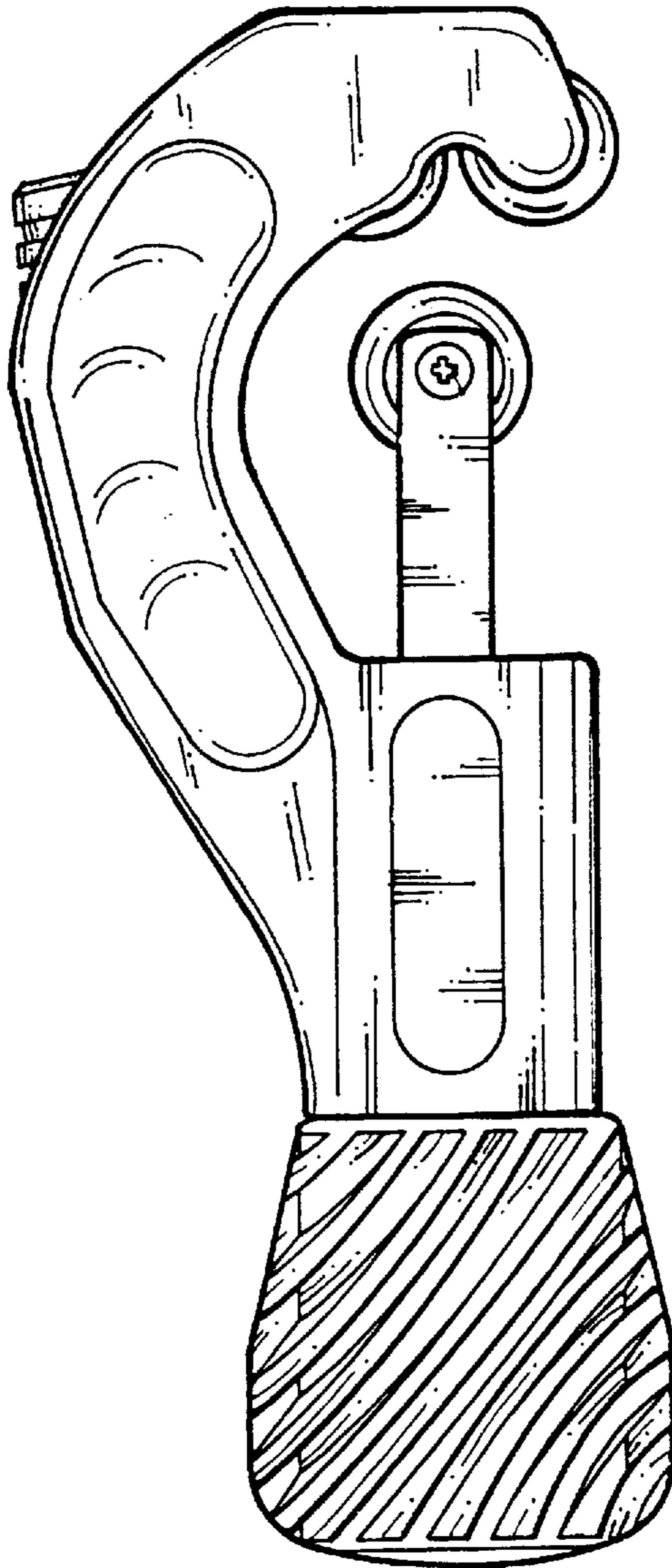


FIG. 2

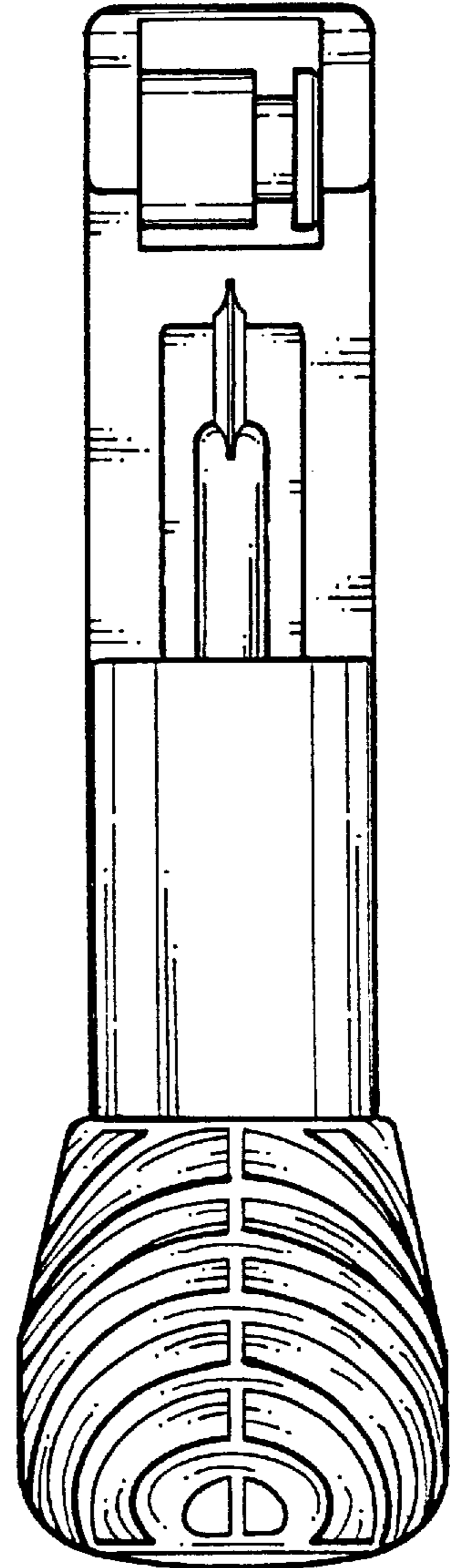


FIG. 7

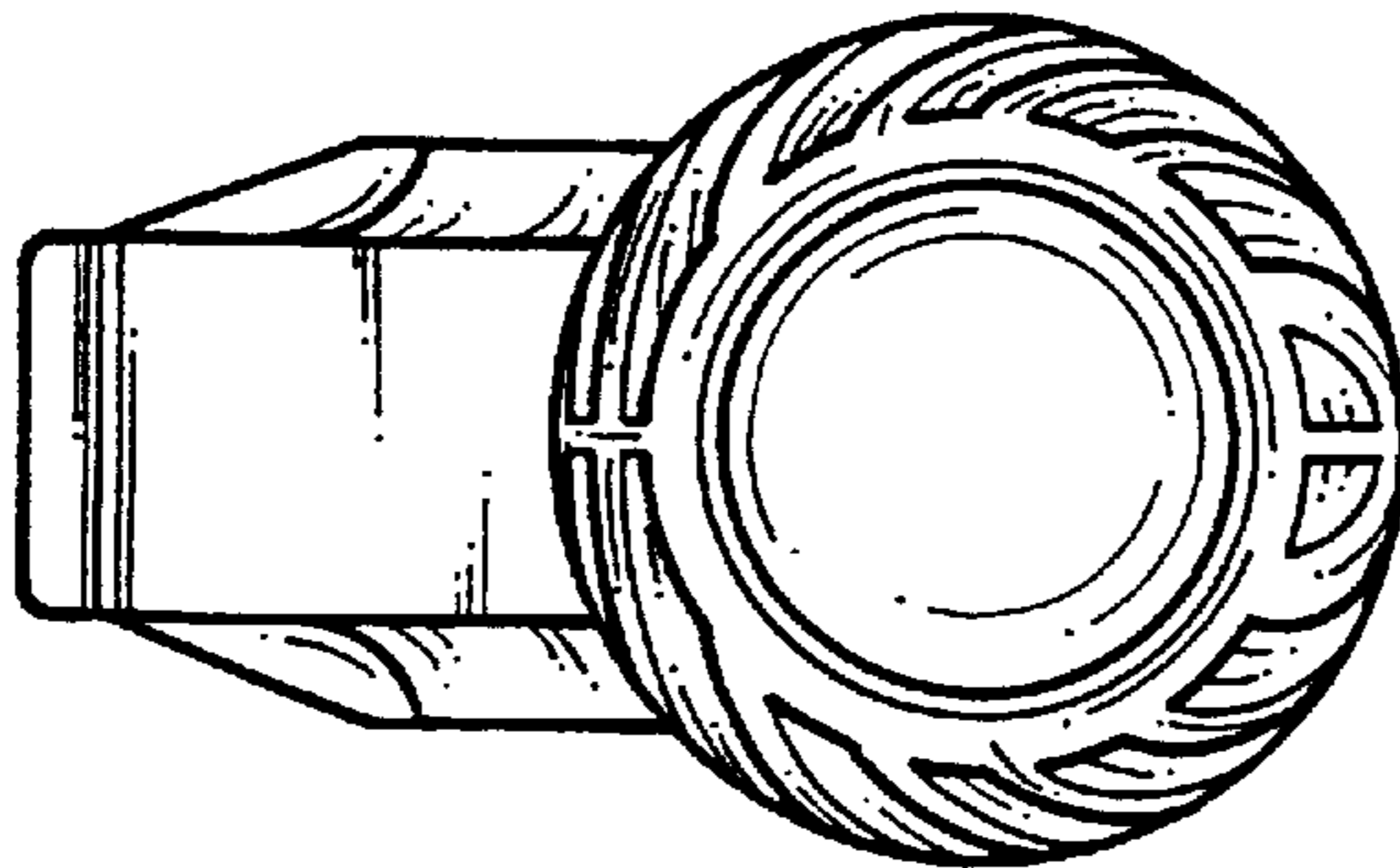


FIG. 5

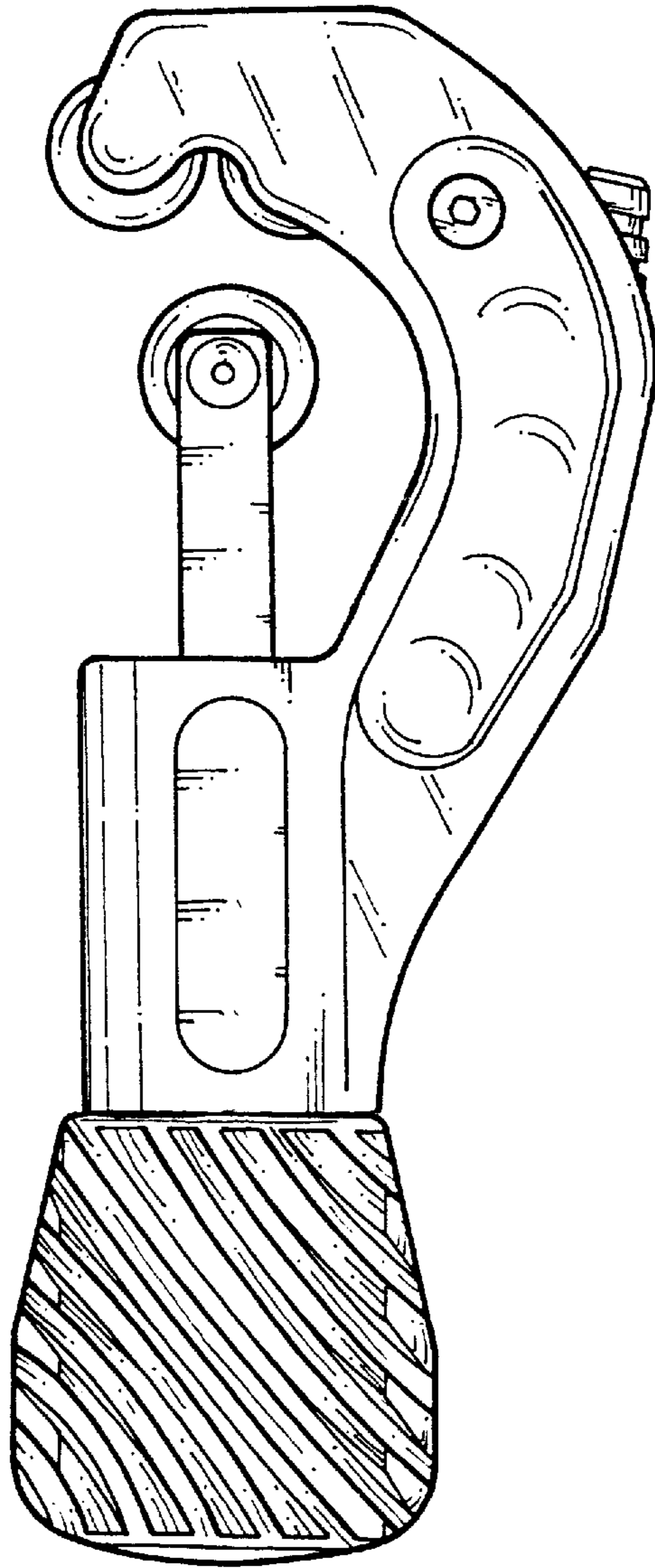


FIG. 3

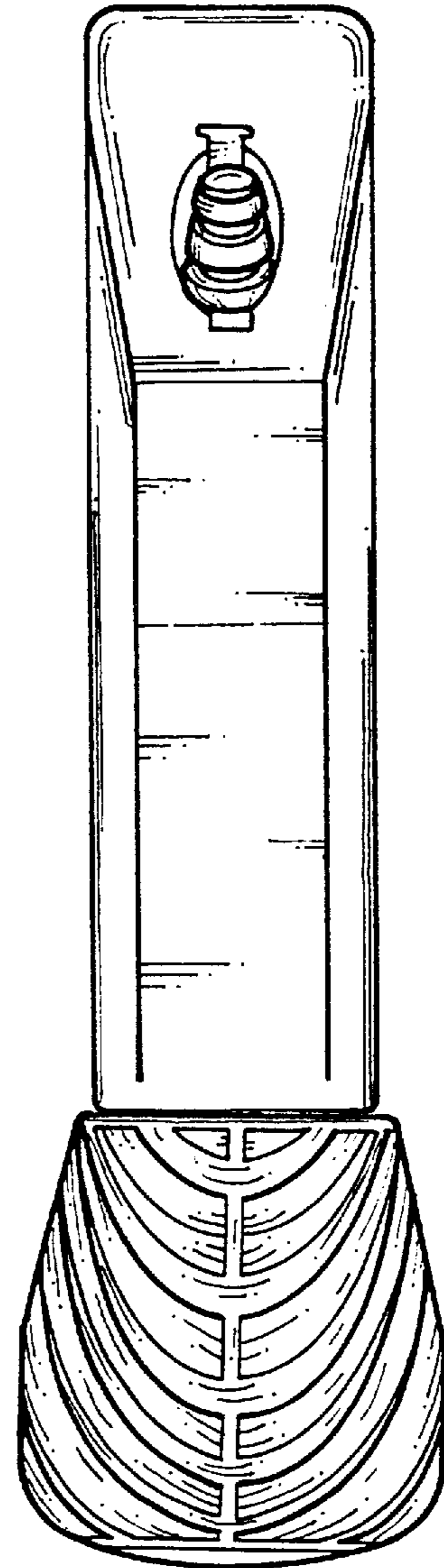


FIG. 6

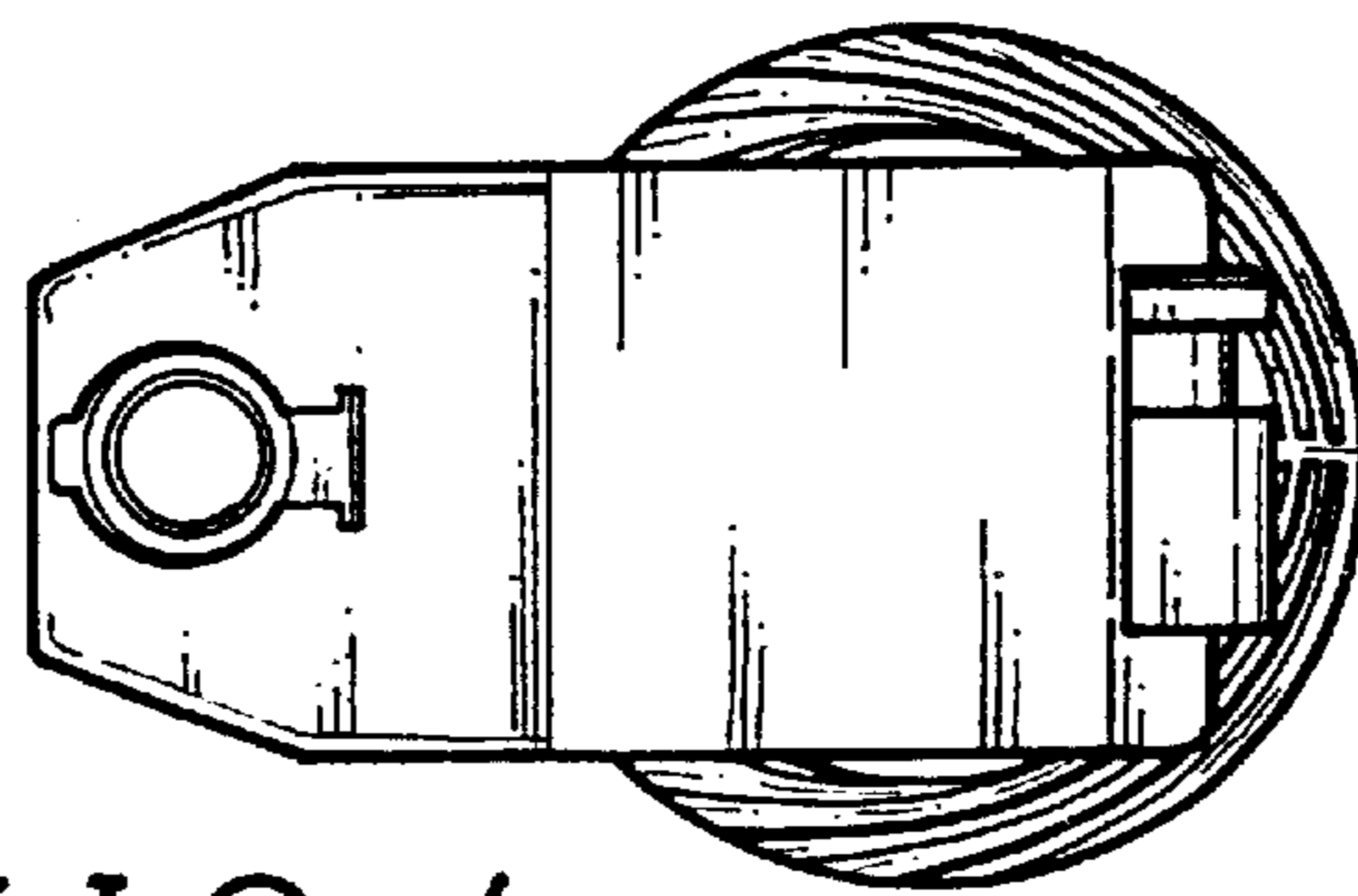


FIG. 4

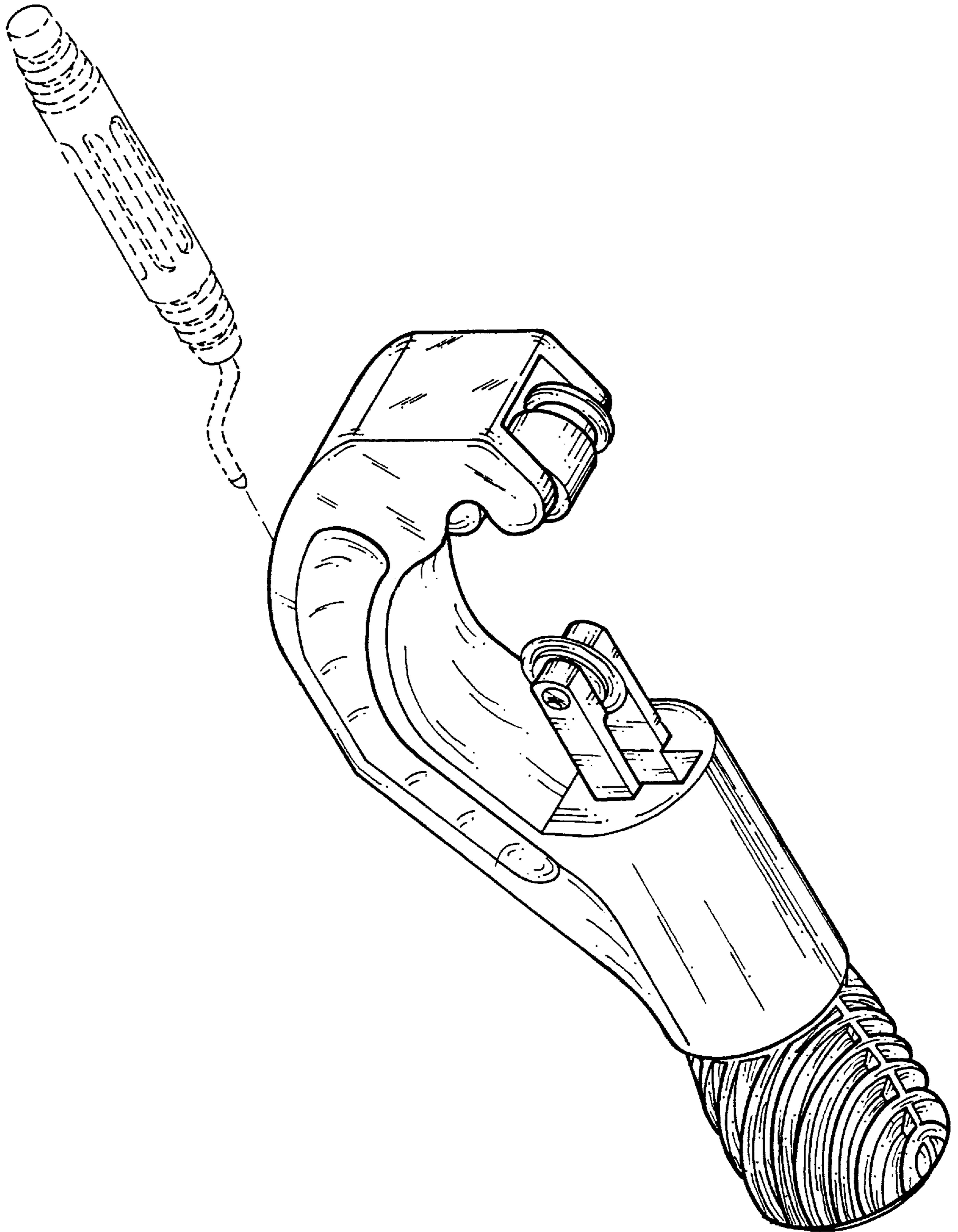


FIG. 8