



US00D399397S

**United States Patent** [19]  
**Callas**

[11] **Patent Number: Des. 399,397**  
[45] **Date of Patent: \*\*Oct. 13, 1998**

[54] **GRIPPER FOR INSTALLING AND REMOVING A SIGN HOLDER**

4,564,165 1/1986 Grant et al. .  
5,188,332 2/1993 Callas .

[76] Inventor: **Michael T. Callas**, 120 Gideons Point Rd., Tonka Bay, Minn. 55331

**OTHER PUBLICATIONS**

Sign-EEZ Publication—Callas Enterprises, Inc. (Date Unknown).

[\*\*] Term: **14 Years**

*Primary Examiner*—Martie Thompson  
*Attorney, Agent, or Firm*—Burd, Bartz & Gutenkauf

[21] Appl. No.: **65,384**

[22] Filed: **Jan. 27, 1997**

[57] **CLAIM**

The ornamental design of a gripper for installing and removing a sign holder, as shown and described.

**Related U.S. Application Data**

**DESCRIPTION**

[60] Continuation-in-part of Ser. No. 51,723, Mar. 15, 1996, abandoned, which is a division of Ser. No. 689,704, Aug. 16, 1996.

FIG. 1 is a perspective view of the gripper for installing and removing a sign holder of my new design;  
FIG. 2 is a front elevational view thereof;  
FIG. 3 is a rear elevational view thereof; the opposite side being a mirror image thereof;  
FIG. 4 is a side view thereof, the opposite side being a mirror image thereof;  
FIG. 5 is a top plan view thereof;  
FIG. 6 is a bottom plan view thereof;  
FIG. 7 is a perspective view of a modification of the gripper for installing and removing a sign holder of FIG. 1;  
FIG. 8 is a front elevational view of FIG. 7;  
FIG. 9 is a rear elevational view of FIG. 7;  
FIG. 10 is a side elevational view of FIG. 7; the opposite side being a mirror image thereof;  
FIG. 11 is a top plan view of FIG. 7; and,  
FIG. 12 is a bottom plan view of FIG. 7.

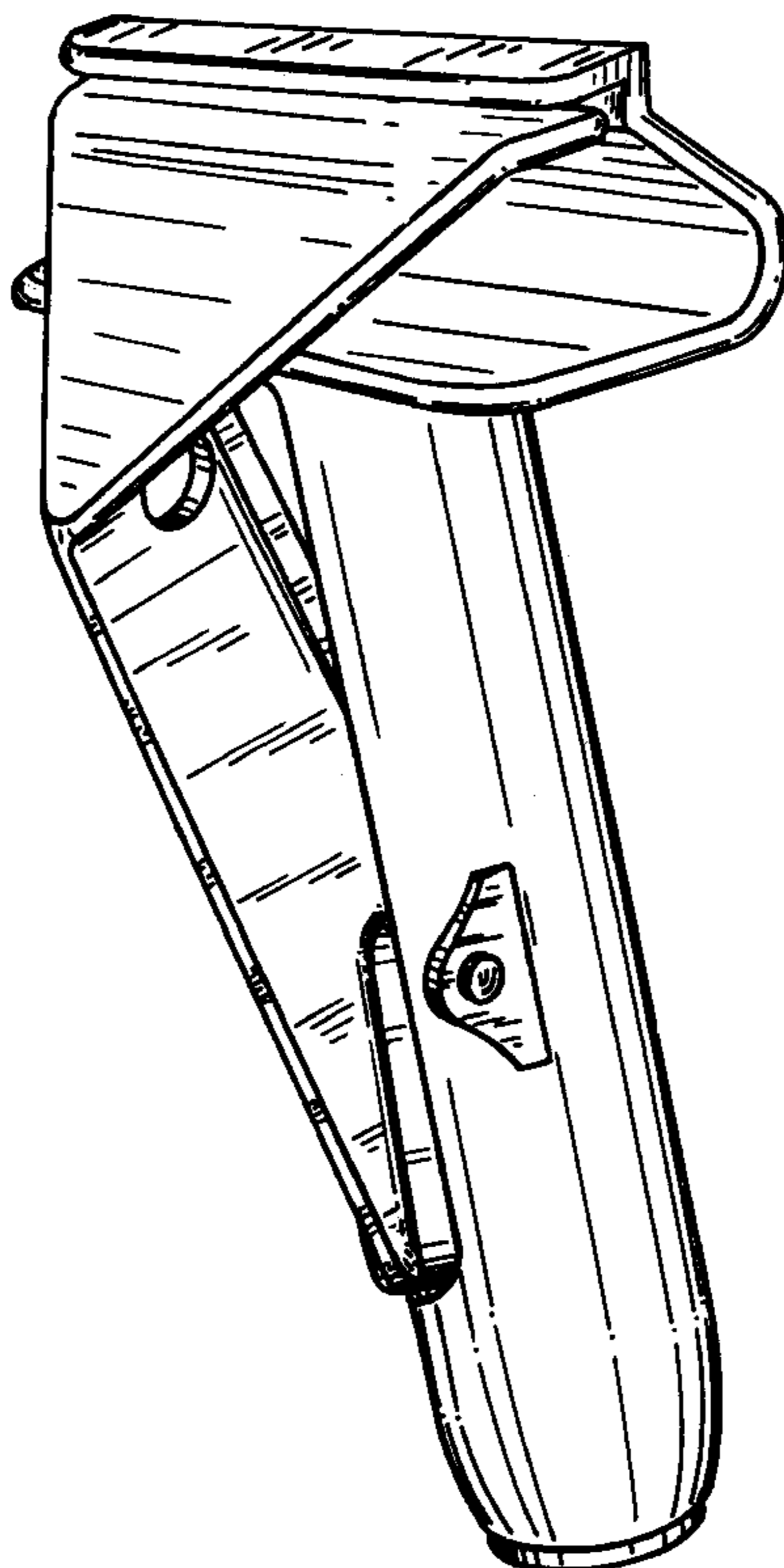
[51] **LOC (6) Cl.** ..... **08-05**  
[52] **U.S. Cl.** ..... **D8/51**  
[58] **Field of Search** ..... D8/52, 51, 58,  
D8/32; 30/1; 72/464, 409.1; 81/420, 3.4,  
300, 318, 321, 324, 342; 294/1.1, 19.1;  
211/45, 113; 248/206.5, 317, 320, 343,  
544; 52/39

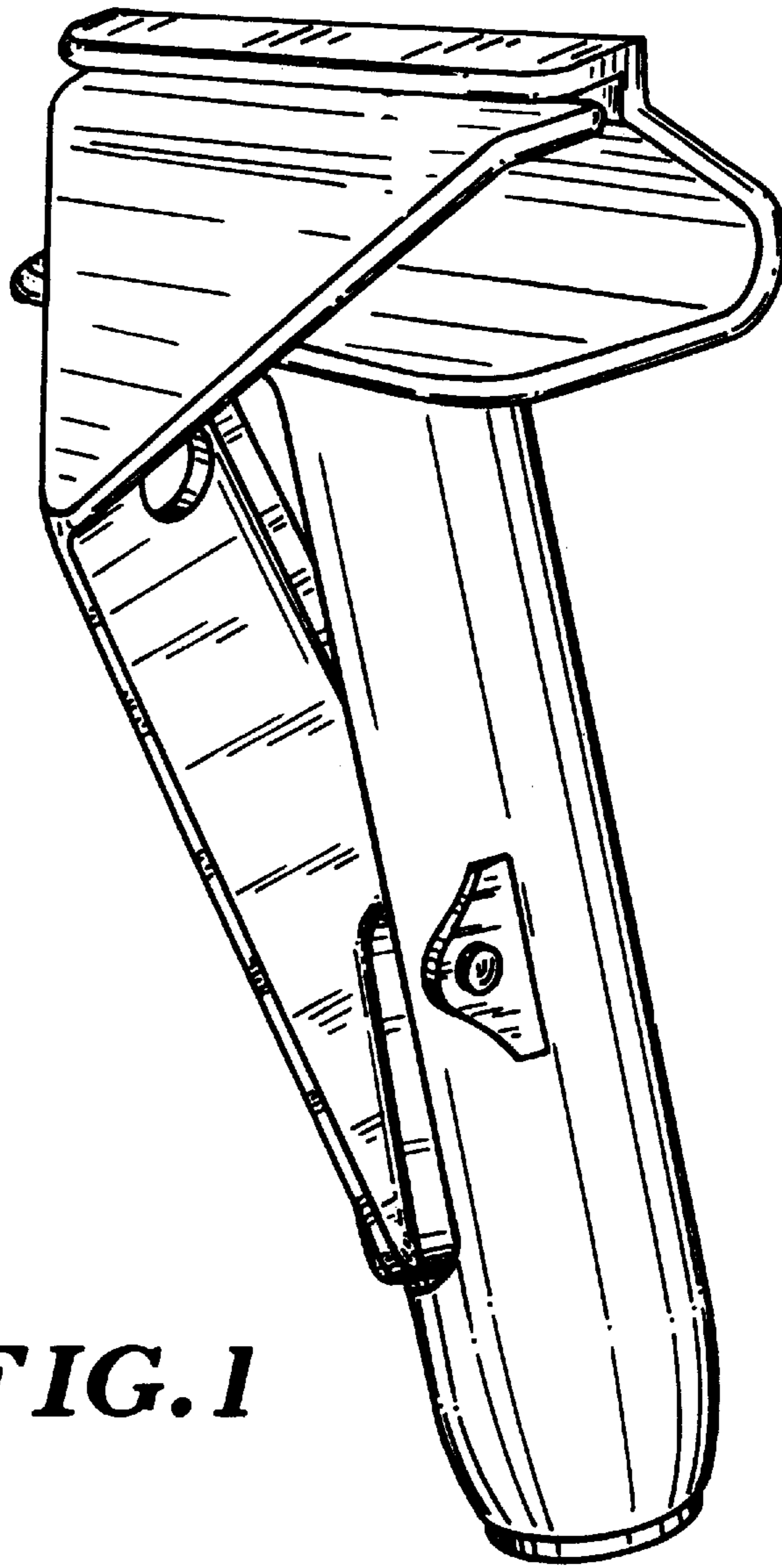
[56] **References Cited**

**U.S. PATENT DOCUMENTS**

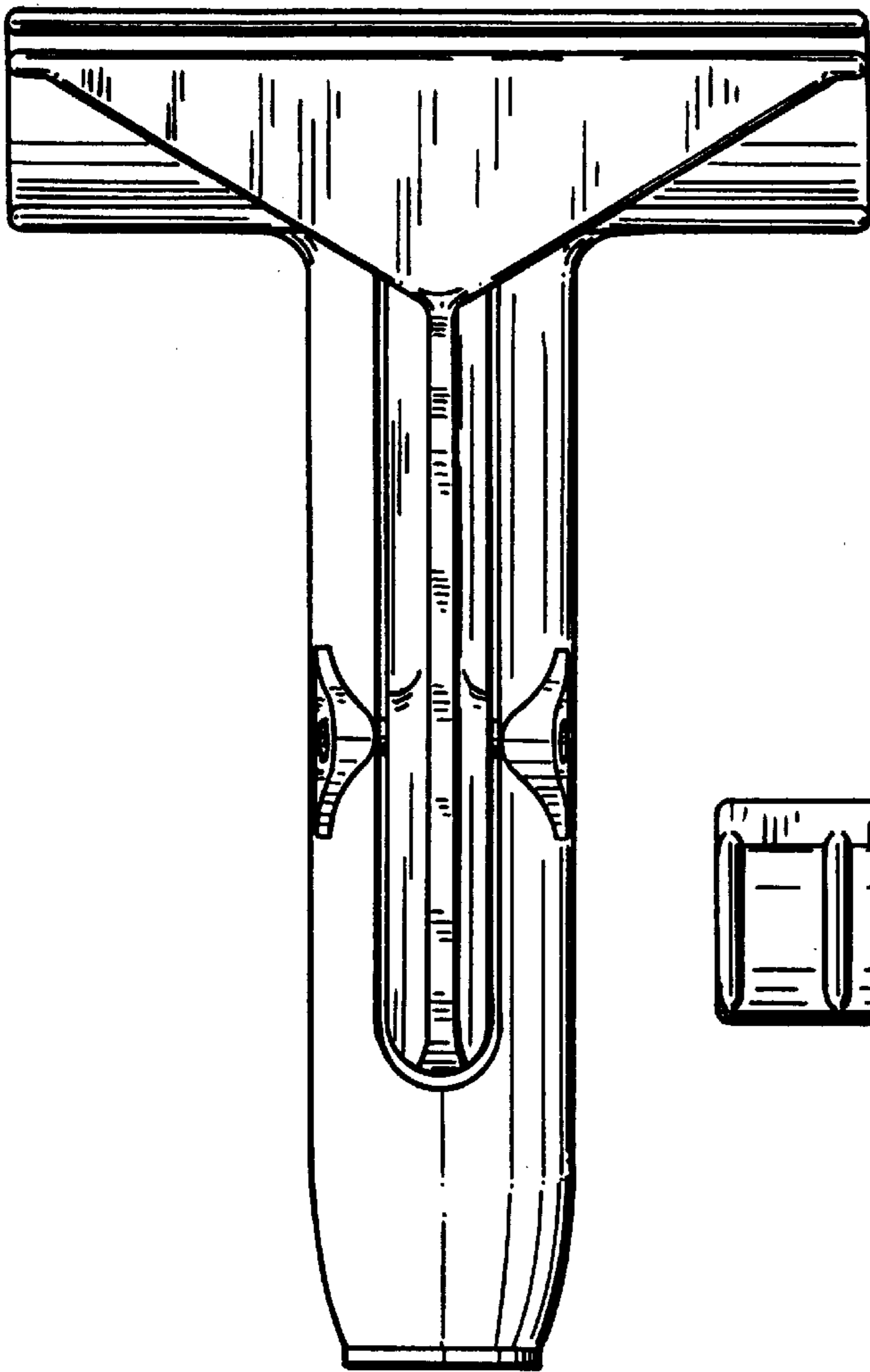
D. 234,678 4/1975 Jellinek ..... D8/44  
D. 253,088 10/1979 Levin ..... D8/52  
D. 297,103 8/1988 Parish, Sr. .... D8/52  
D. 335,249 5/1993 Hopkins ..... D8/52  
D. 340,392 10/1993 Axelsson ..... D8/51  
3,953,065 4/1976 Shannon, Jr. .  
3,958,318 5/1976 Crosa ..... 81/487 X  
3,972,104 8/1976 Partin et al. .... 29/280

**1 Claim, 6 Drawing Sheets**

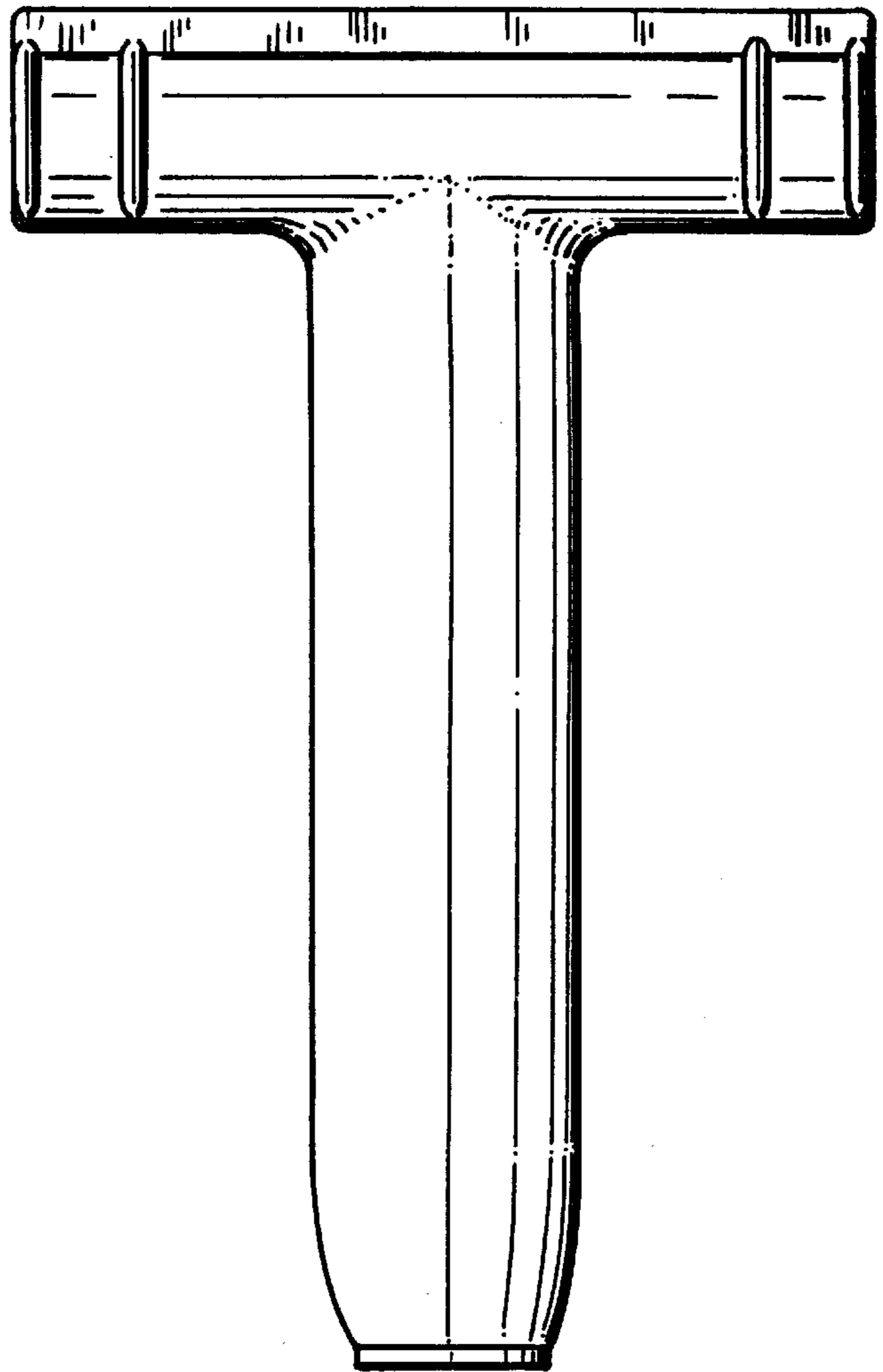




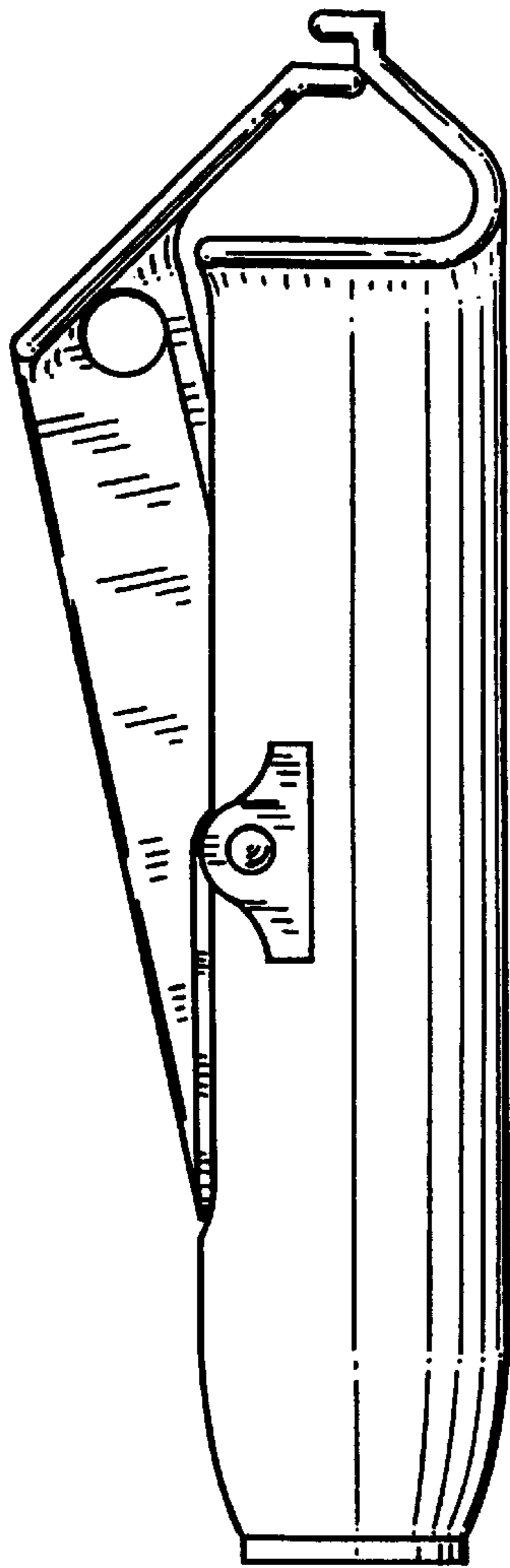
**FIG. 1**



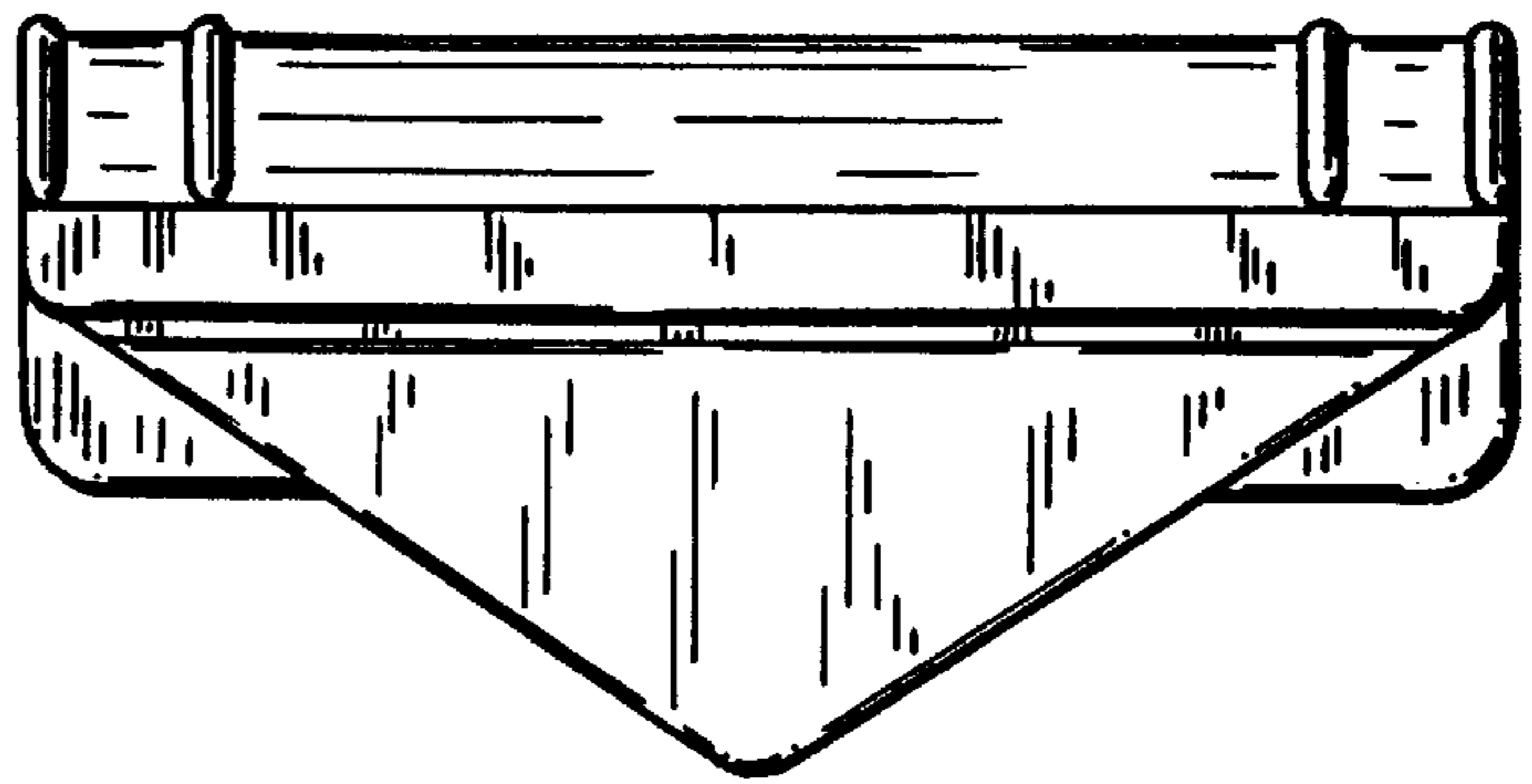
**FIG. 2**



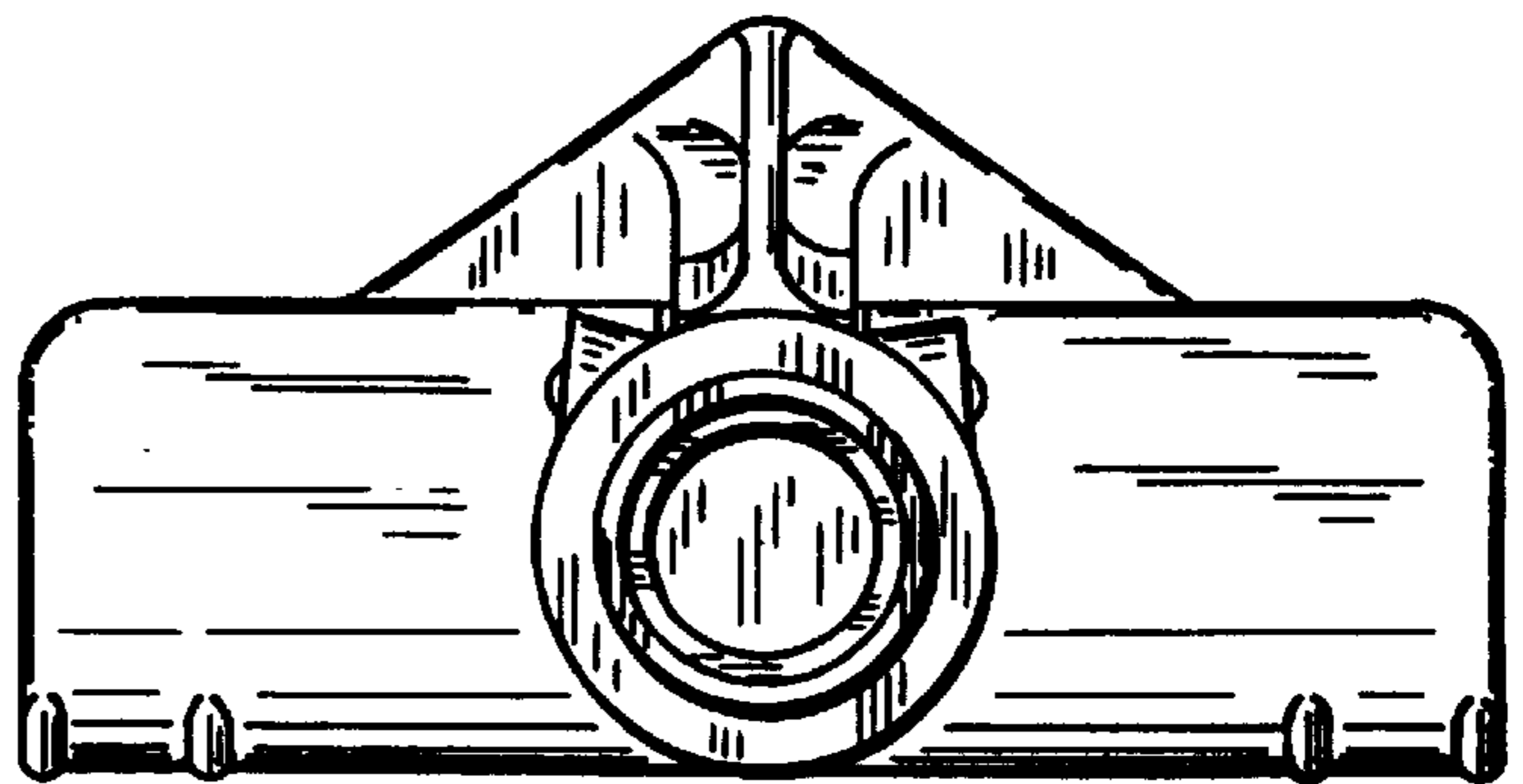
**FIG. 3**



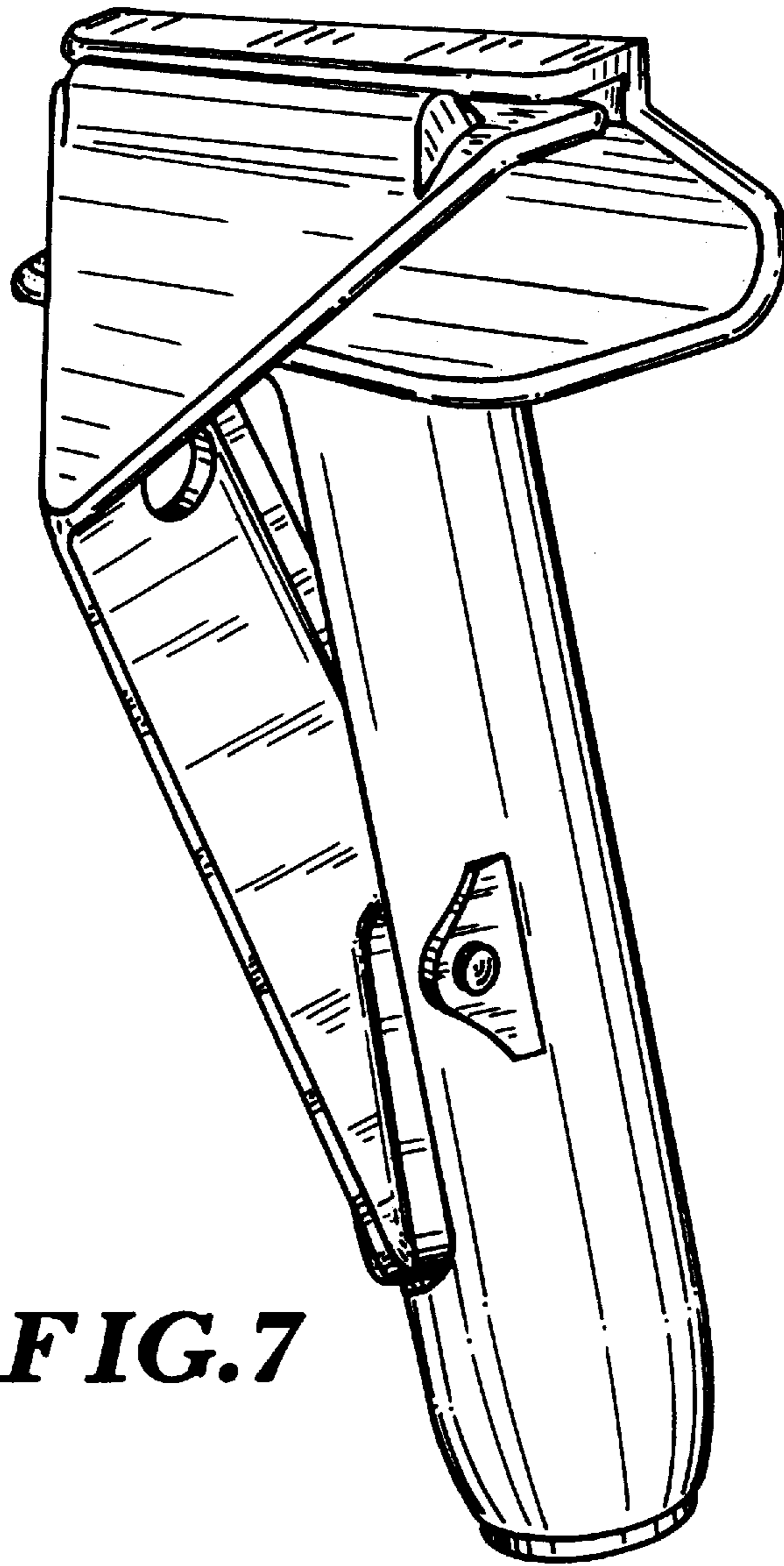
**FIG. 4**



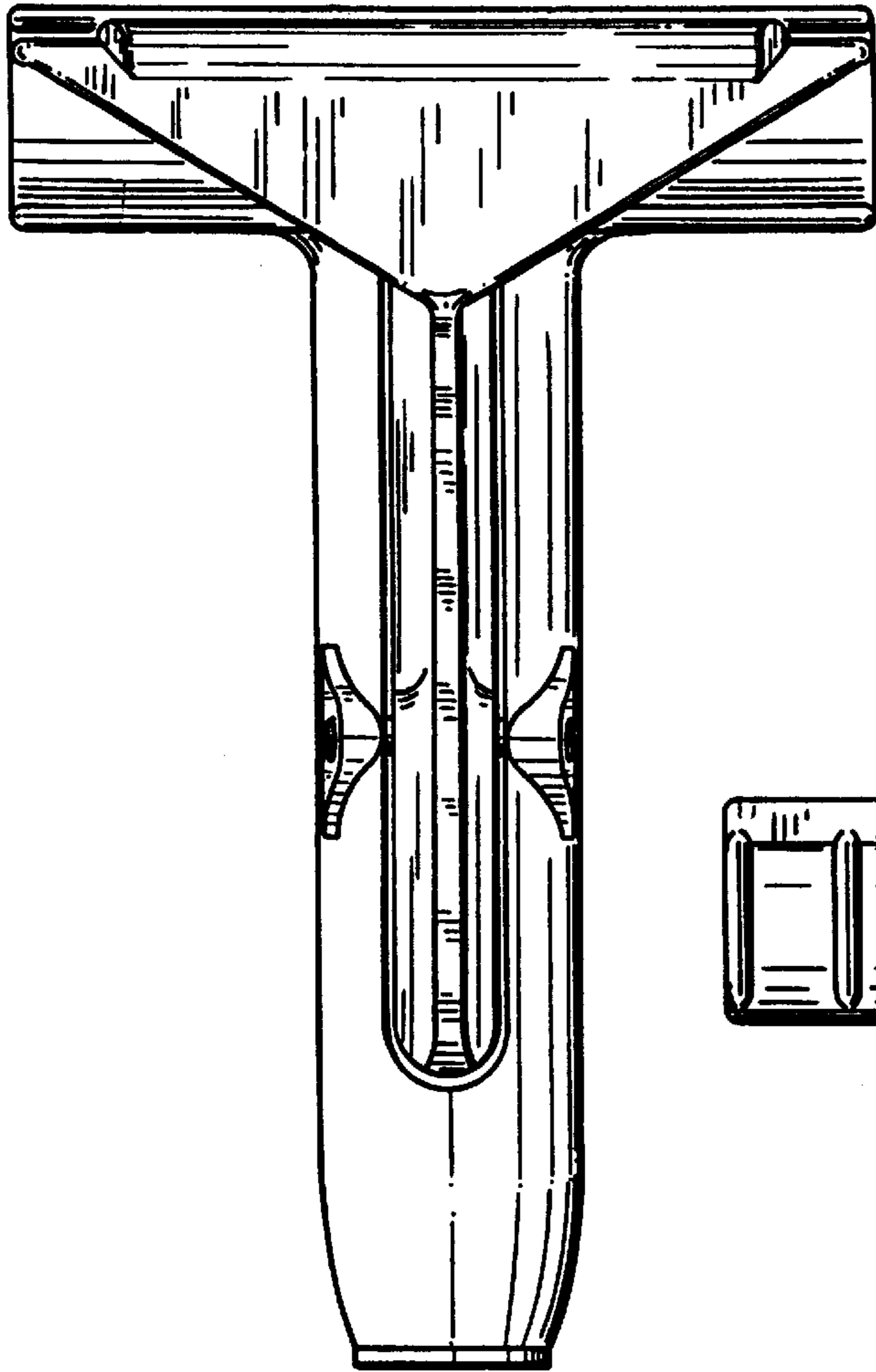
**FIG. 5**



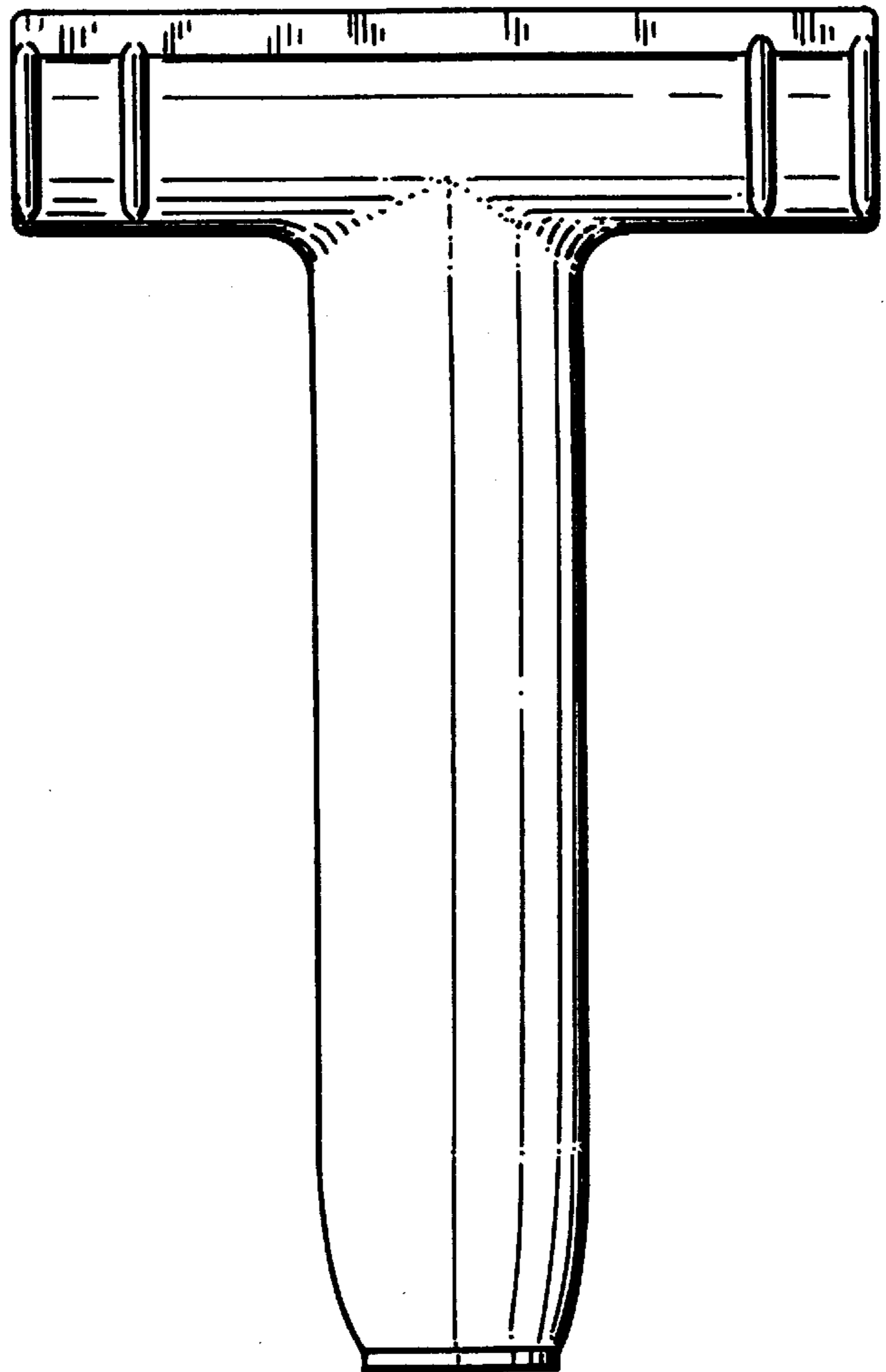
**FIG. 6**



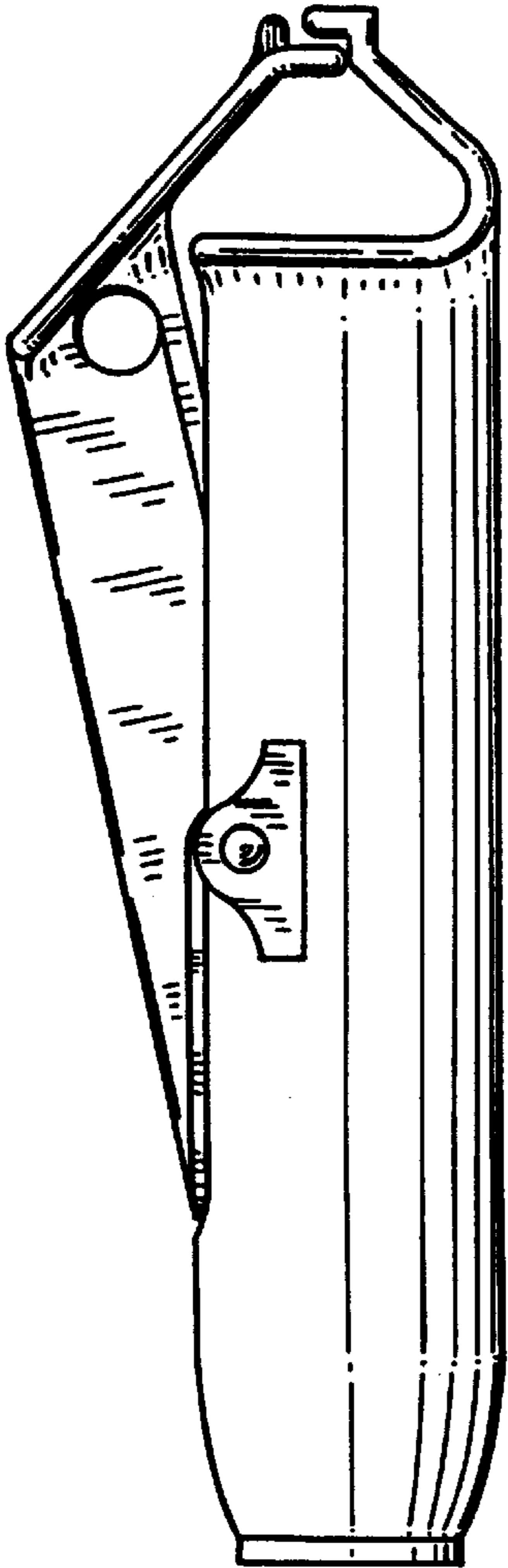
**FIG. 7**



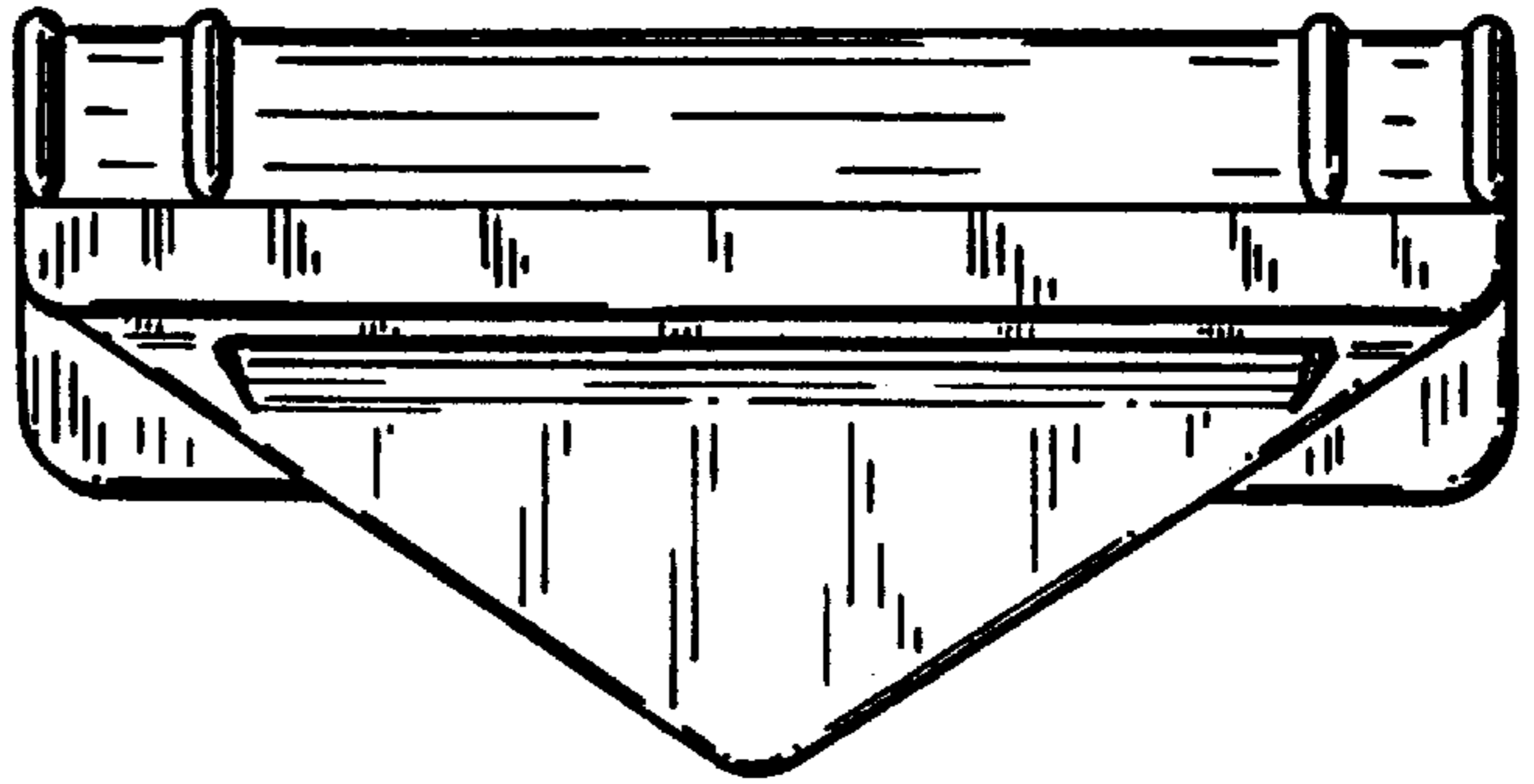
**FIG. 8**



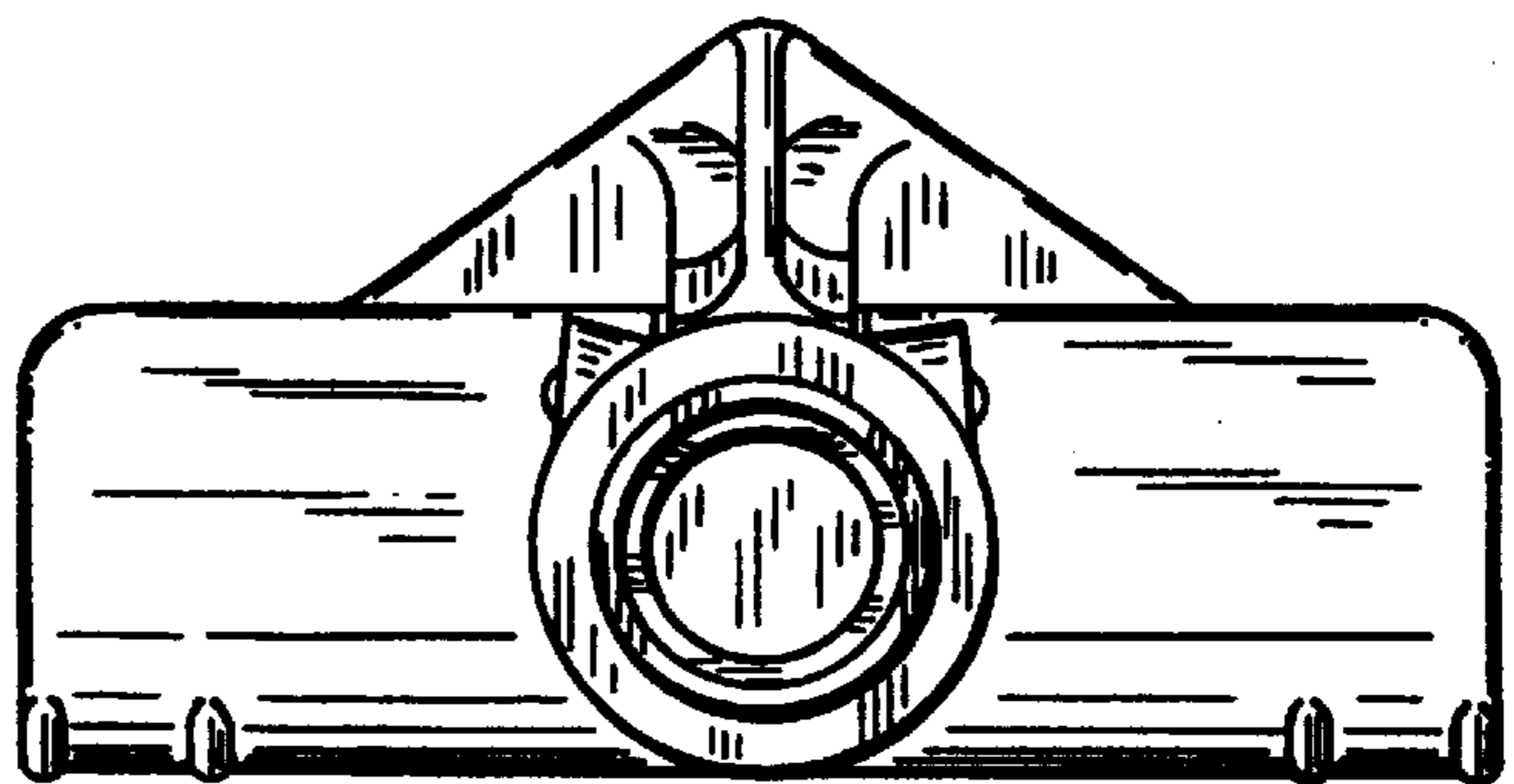
**FIG. 9**



**FIG. 10**



**FIG. 11**



**FIG. 12**