



US00D399395S

United States Patent [19]

Persons

[11] **Patent Number: Des. 399,395**

[45] **Date of Patent: **Oct. 13, 1998**

[54] **CUP HOLDER ENLARGER**

[75] Inventor: **Rick Persons**, New York, N.Y.

[73] Assignee: **E&B Giftware, Inc.**, Mt. Vernon, N.Y.

[**] Term: **14 Years**

[21] Appl. No.: **67,426**

[22] Filed: **Feb. 28, 1997**

[51] **LOC (6) Cl.** **07-07**

[52] **U.S. Cl.** **D7/620**

[58] **Field of Search** D7/620; 248/311.2;
224/273-275; 108/44, 46

[56] **References Cited**

U.S. PATENT DOCUMENTS

D. 338,138	8/1993	Miyajima	D7/620
D. 338,556	8/1993	McNamara	D7/620
D. 355,337	2/1995	Eisenbraun et al.	D7/620
4,596,370	6/1986	Adkins	248/311.2
4,767,092	8/1988	Weatherly	248/311.2

Primary Examiner—Brian N. Vinson

Attorney, Agent, or Firm—Amster, Rothstein & Ebenstein

[57] **CLAIM**

The ornamental design for a cup holder enlarger, as shown and described.

DESCRIPTION

FIG. 1 is a perspective view from the top and front for a cup holder enlarger showing my new design in a slightly enlarged state;

FIG. 2 is a front view thereof in a slightly enlarged state;

FIG. 3 is a back view thereof in a slightly enlarged state;

FIG. 4 is a left side view thereof in a slightly enlarged state;

FIG. 5 is a right side view thereof in a slightly enlarged state;

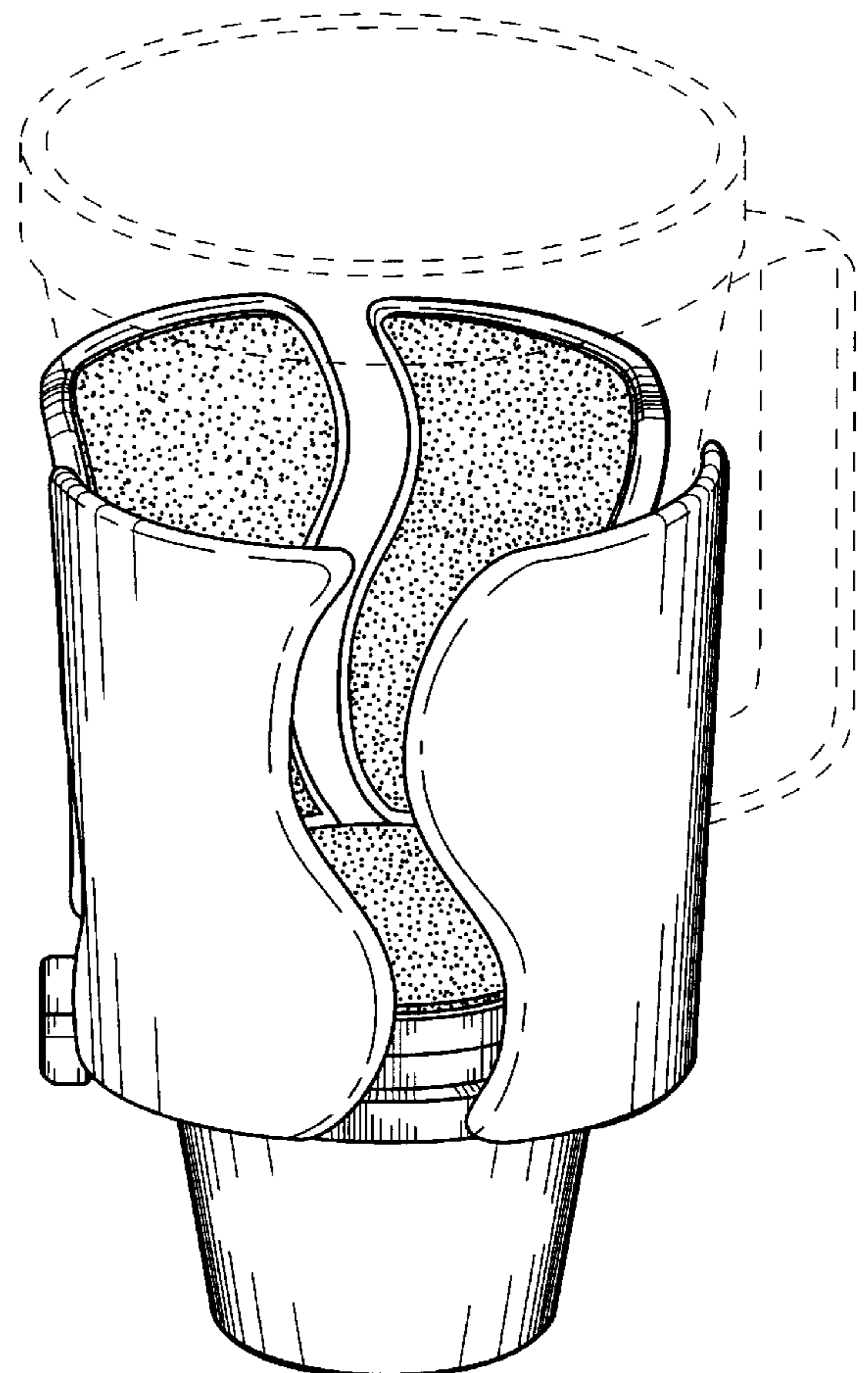
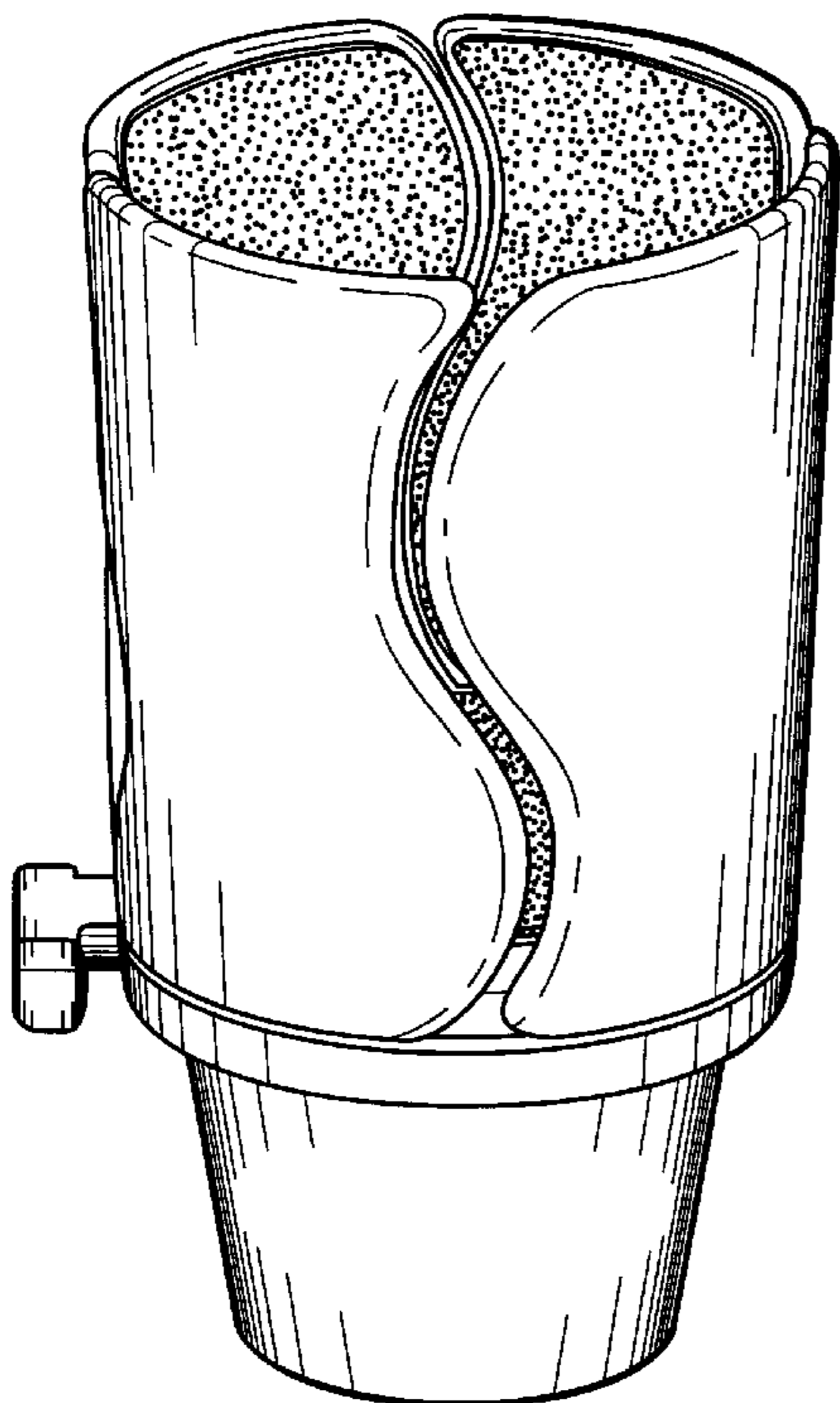
FIG. 6 is a top view thereof in a slightly enlarged state;

FIG. 7 is a bottom view thereof in a slightly enlarged state;

FIG. 8 is a perspective view thereof from the top and front in a substantially enlarged state; and,

FIG. 9 is a perspective view thereof from the top and front in a substantially enlarged state with the broken-line disclosure of a cup being for illustrative purposes only and forming no part of the claimed design.

1 Claim, 6 Drawing Sheets



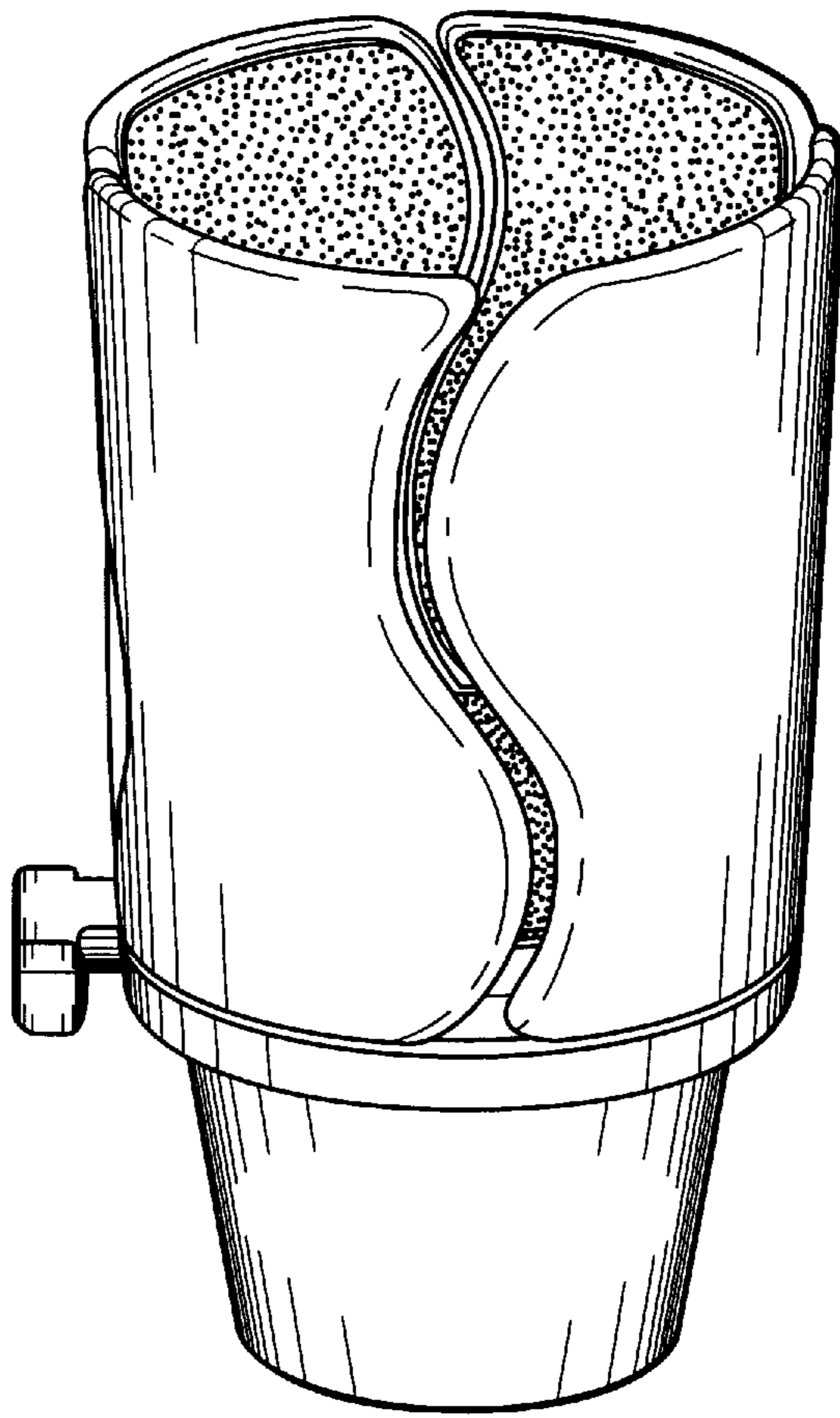


FIG. 1

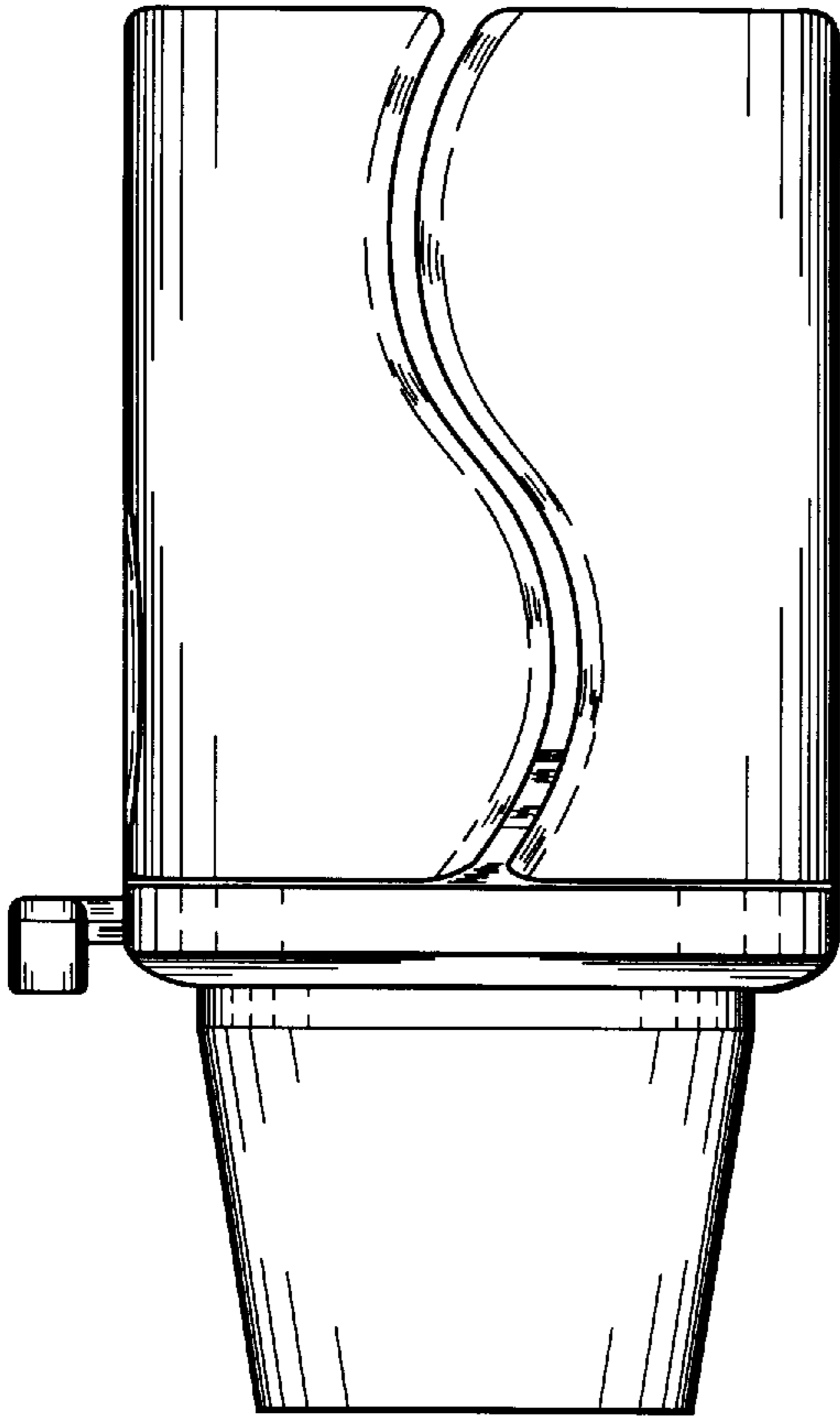


FIG. 2

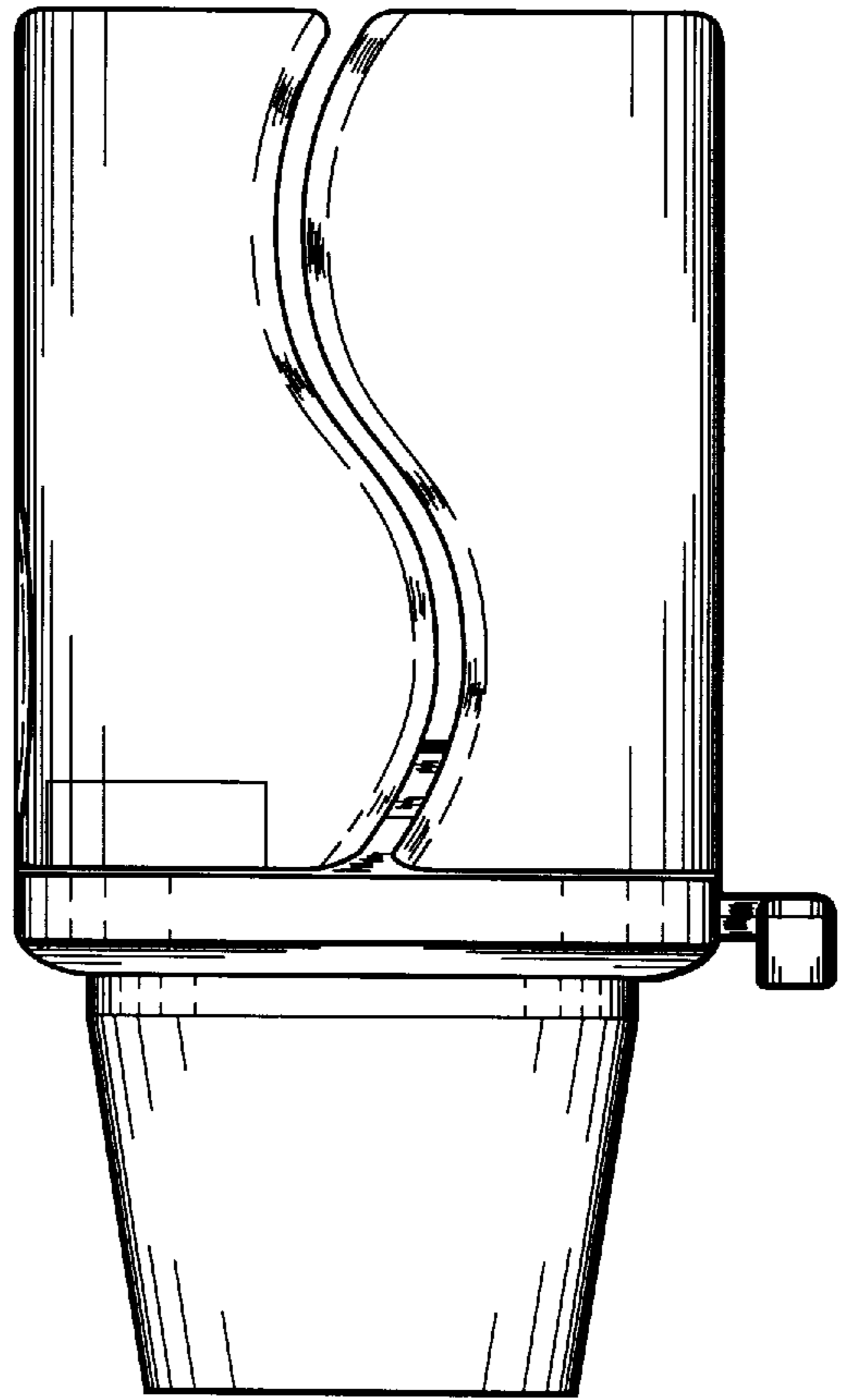


FIG. 3

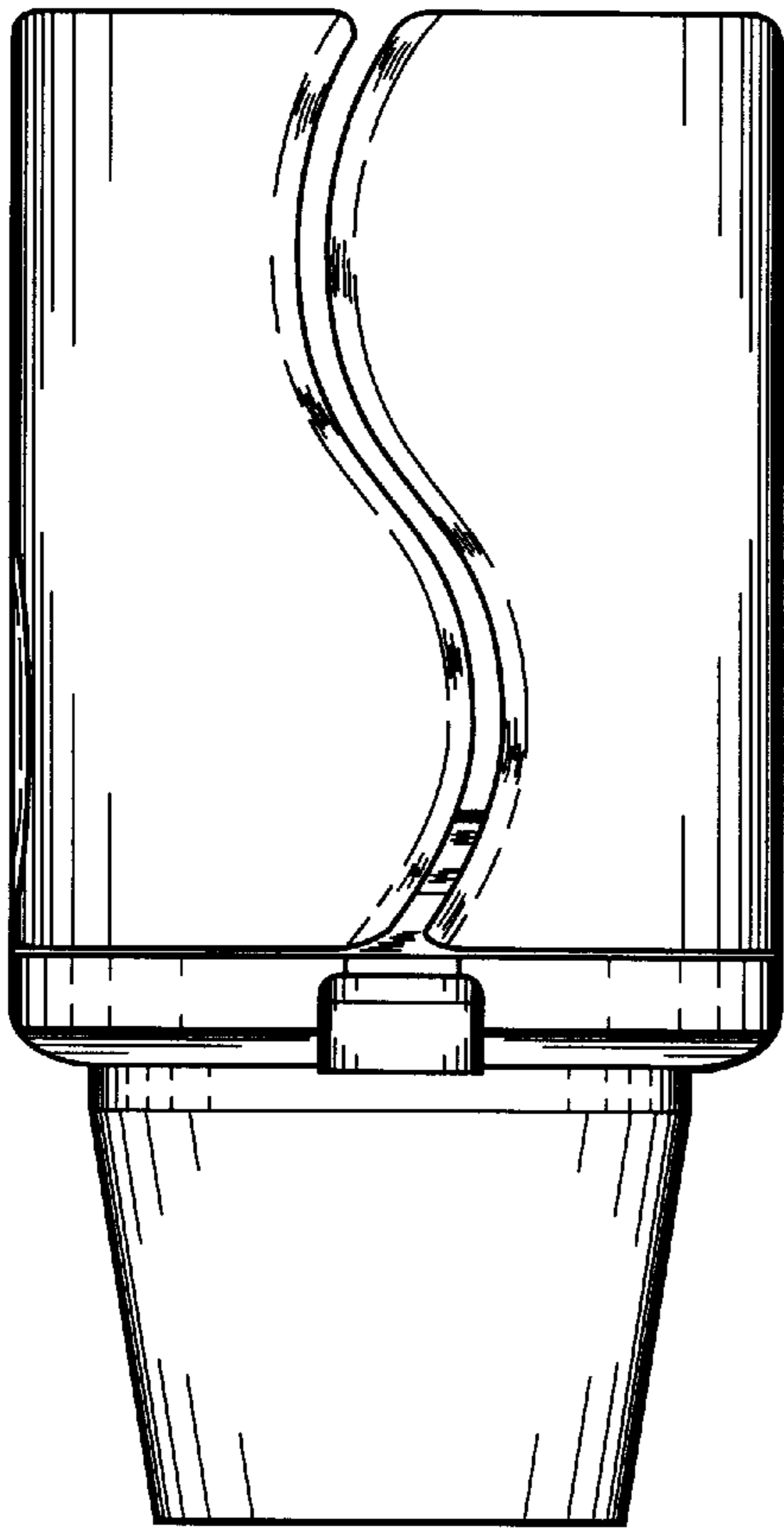


FIG. 4

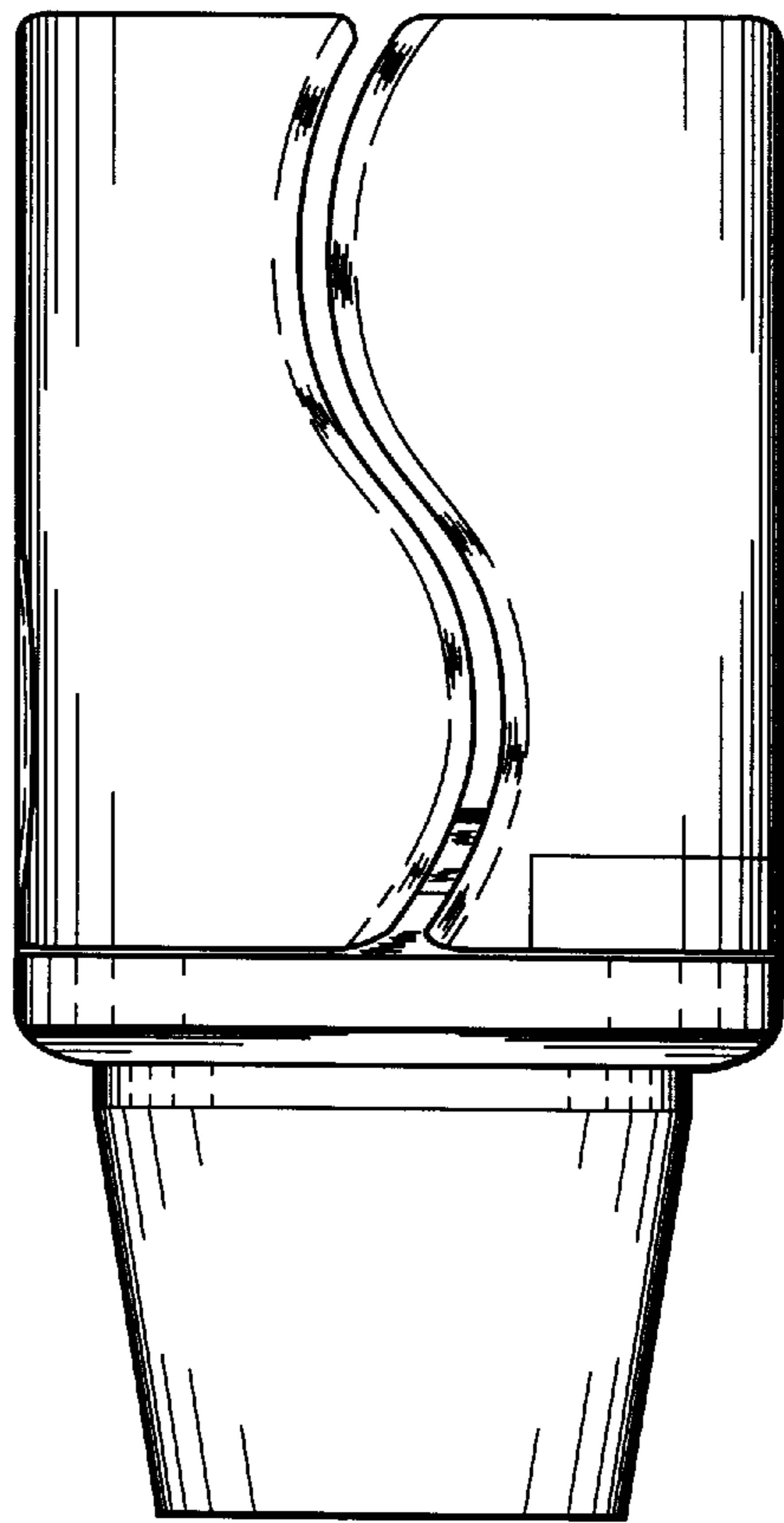


FIG. 5

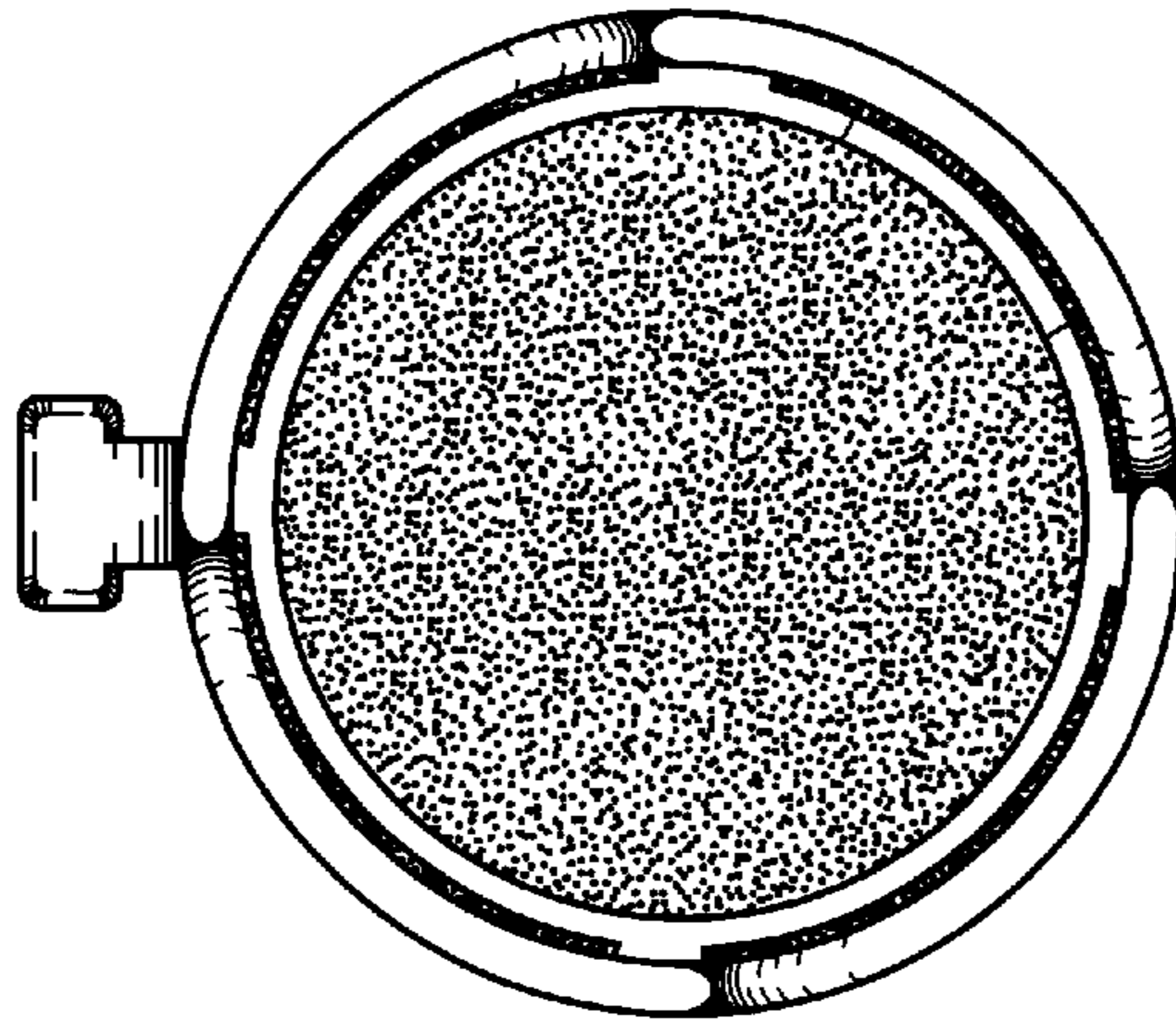


FIG. 6

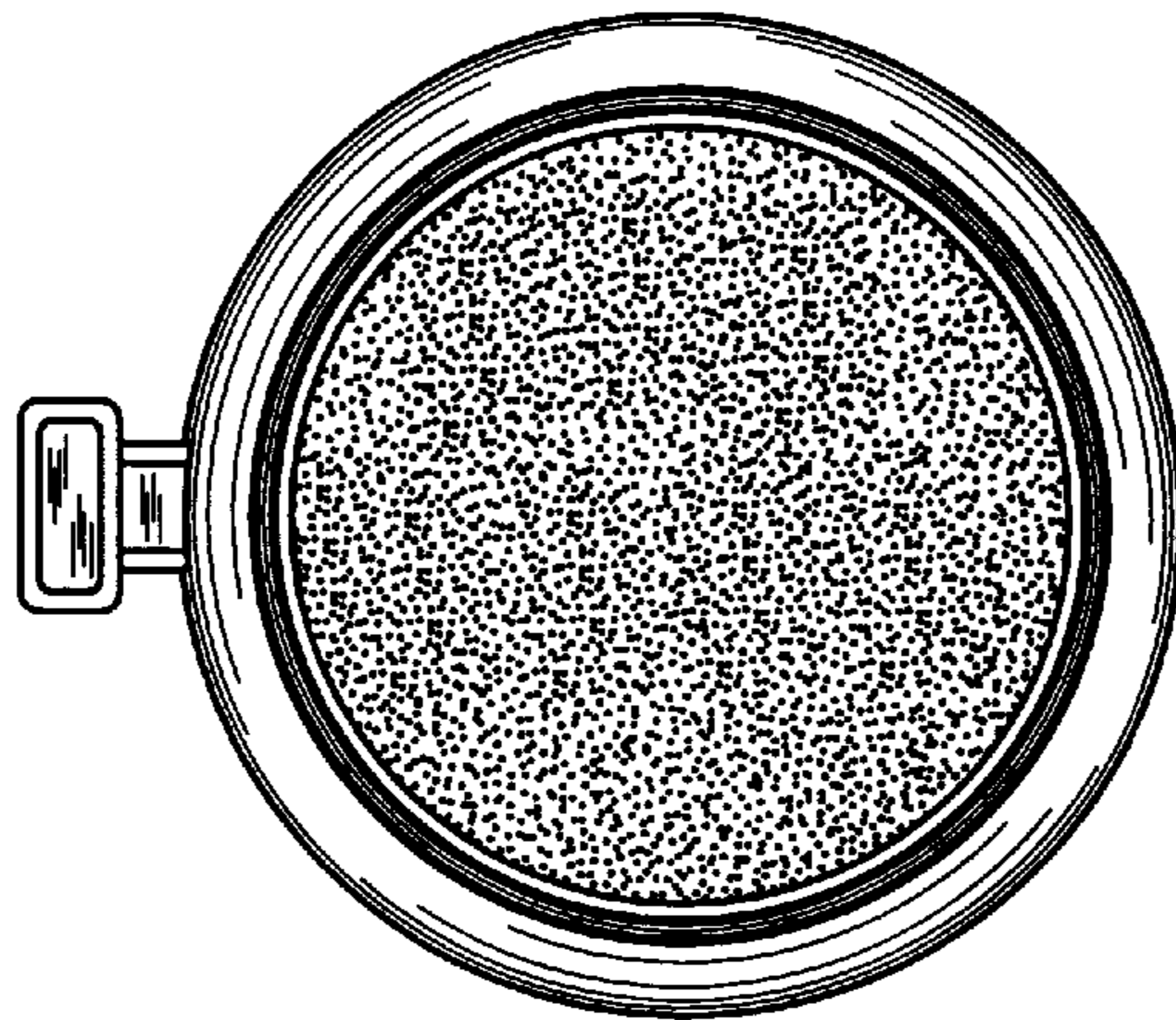


FIG. 7

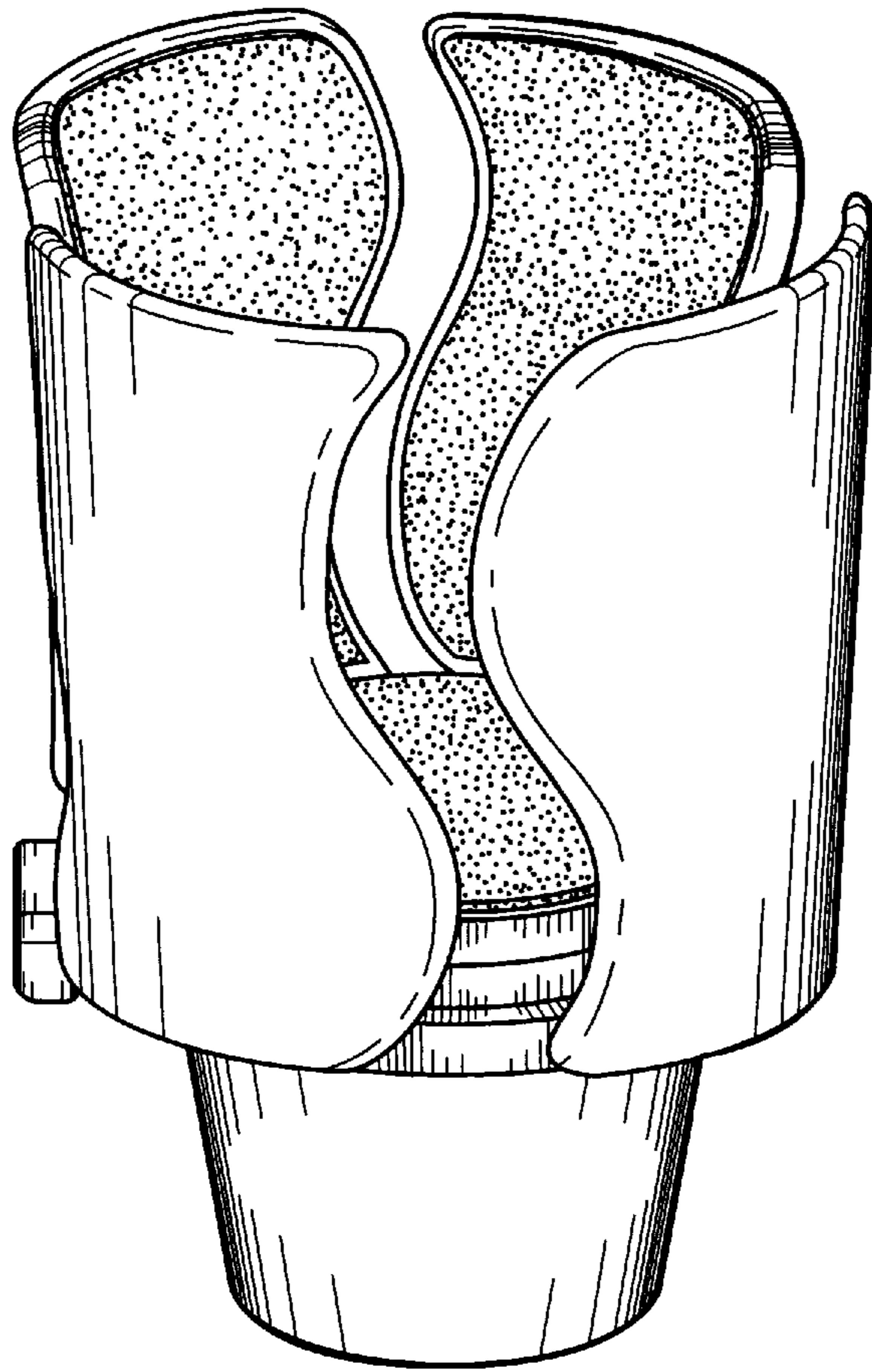


FIG. 8

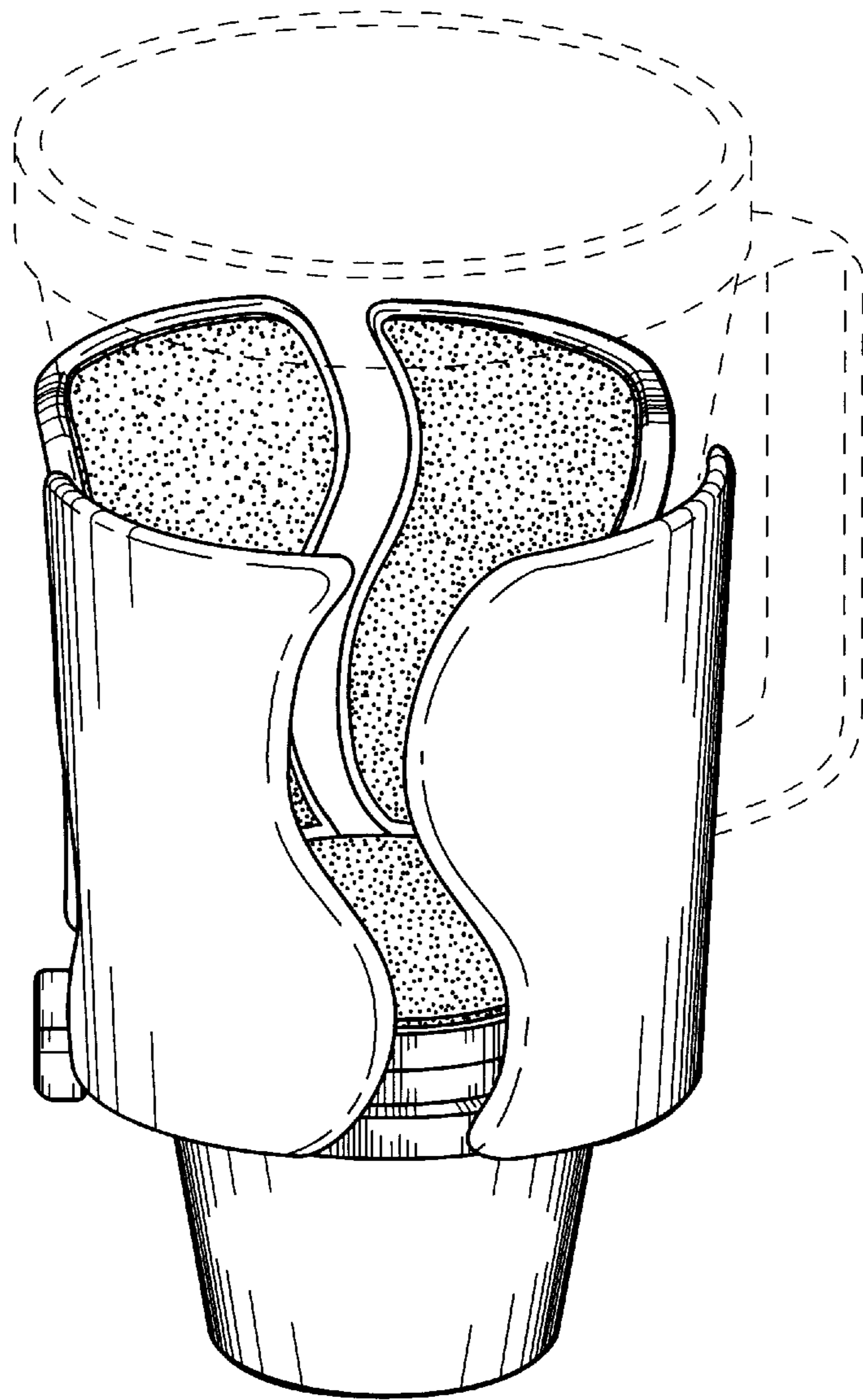


FIG. 9