



US00D399394S

United States Patent [19] Rapaz

[11] Patent Number: **Des. 399,394**

[45] Date of Patent: ****Oct. 13, 1998**

[54] **CREAMER DISPENSER**

D. 324,141 2/1992 Wu D7/641 X
D. 376,298 12/1996 Rapaz D7/590

[76] Inventor: **Antonio M. Rapaz**, 9498 Tupper Street, Chilliwack, British Columbia, Canada, V2P 4G4

Primary Examiner—Terry A. Wallace
Attorney, Agent, or Firm—Oyen Wiggs Green & Mutala

[**] Term: **14 Years**

[57] **CLAIM**

The ornamental design for a creamer dispenser, as shown and described.

[21] Appl. No.: **77,651**

[22] Filed: **Oct. 8, 1997**

DESCRIPTION

[51] **LOC (6) Cl.** **07-06**

[52] **U.S. Cl.** **D7/590**

[58] **Field of Search** D7/589, 590, 600;
D6/515-517; 211/60.1, 70.6, 70.7, 74, 77,
78; 221/92, 103, 123, 124, 191, 199, 282

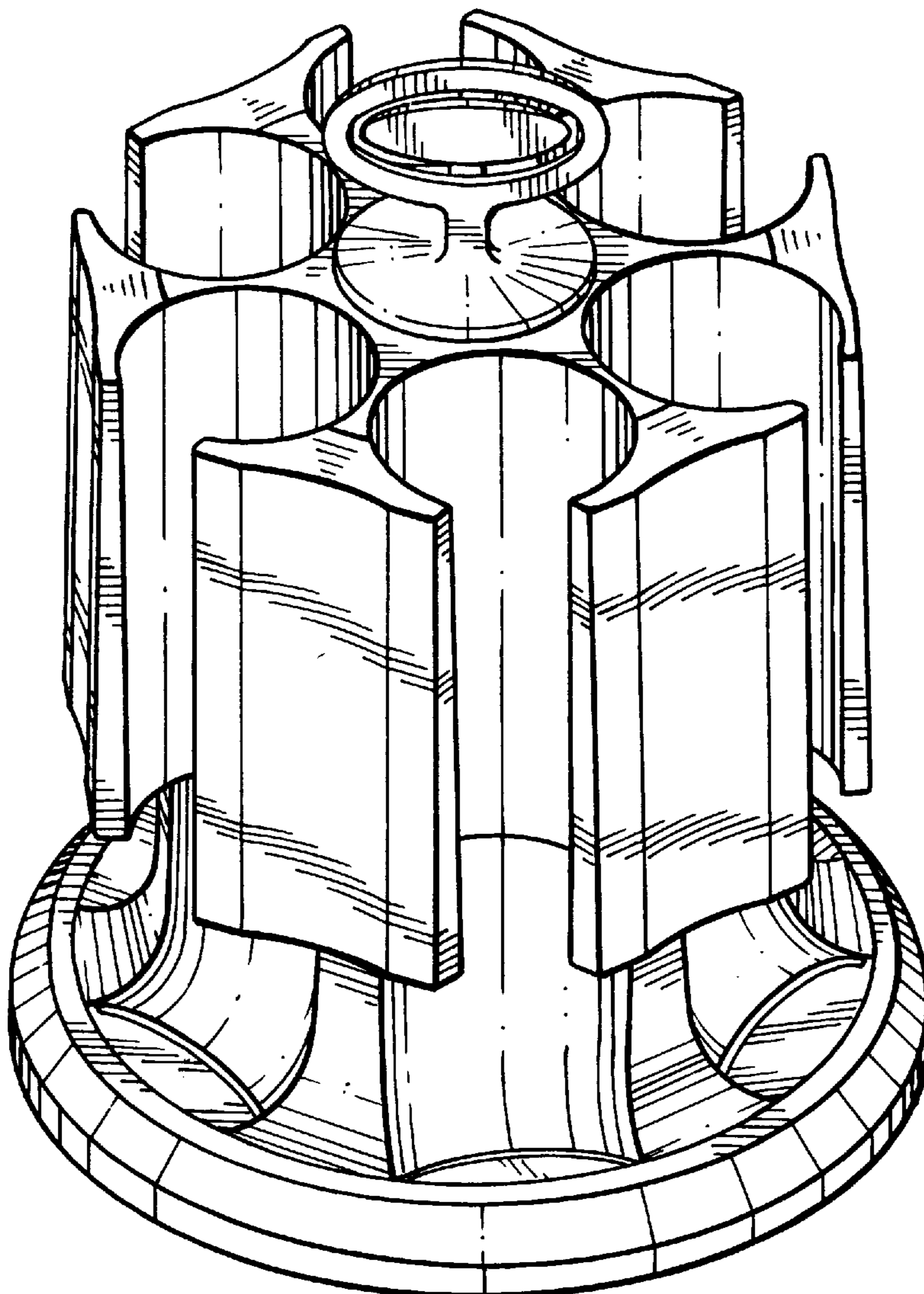
FIG. 1 is an isometric view of the creamer dispenser illustrating the new design;
FIG. 2 is a top plan view thereof;
FIG. 3 is a front elevational view thereof, the rear elevational view being identical thereto;
FIG. 4 is a bottom plan view thereof; and,
FIG. 5 is a right side elevational view thereof, the left side elevational view being a mirror image thereof.

[56] **References Cited**

U.S. PATENT DOCUMENTS

D. 297,198 8/1988 Liebe et al. D7/590

1 Claim, 3 Drawing Sheets



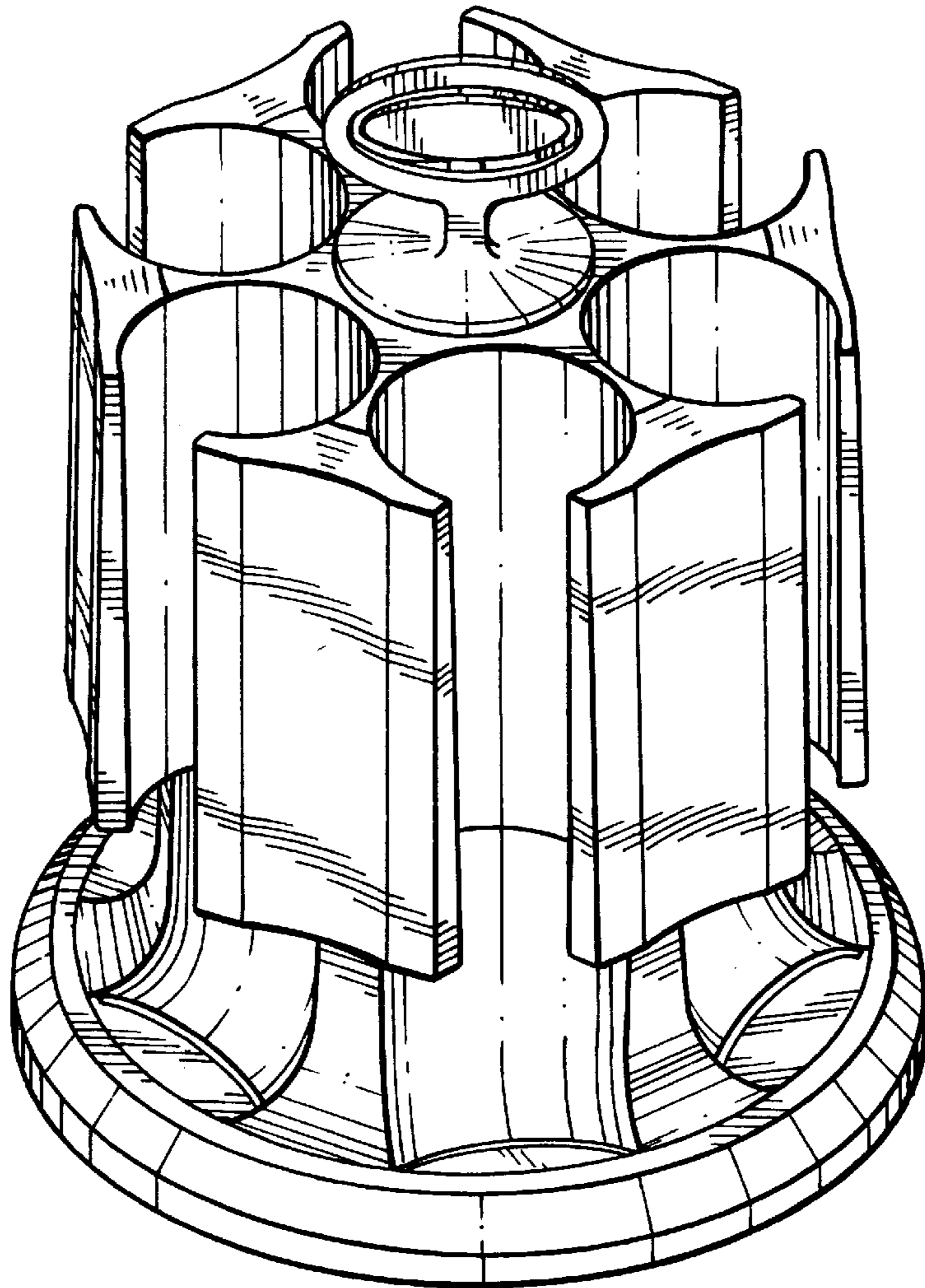


FIG. 1

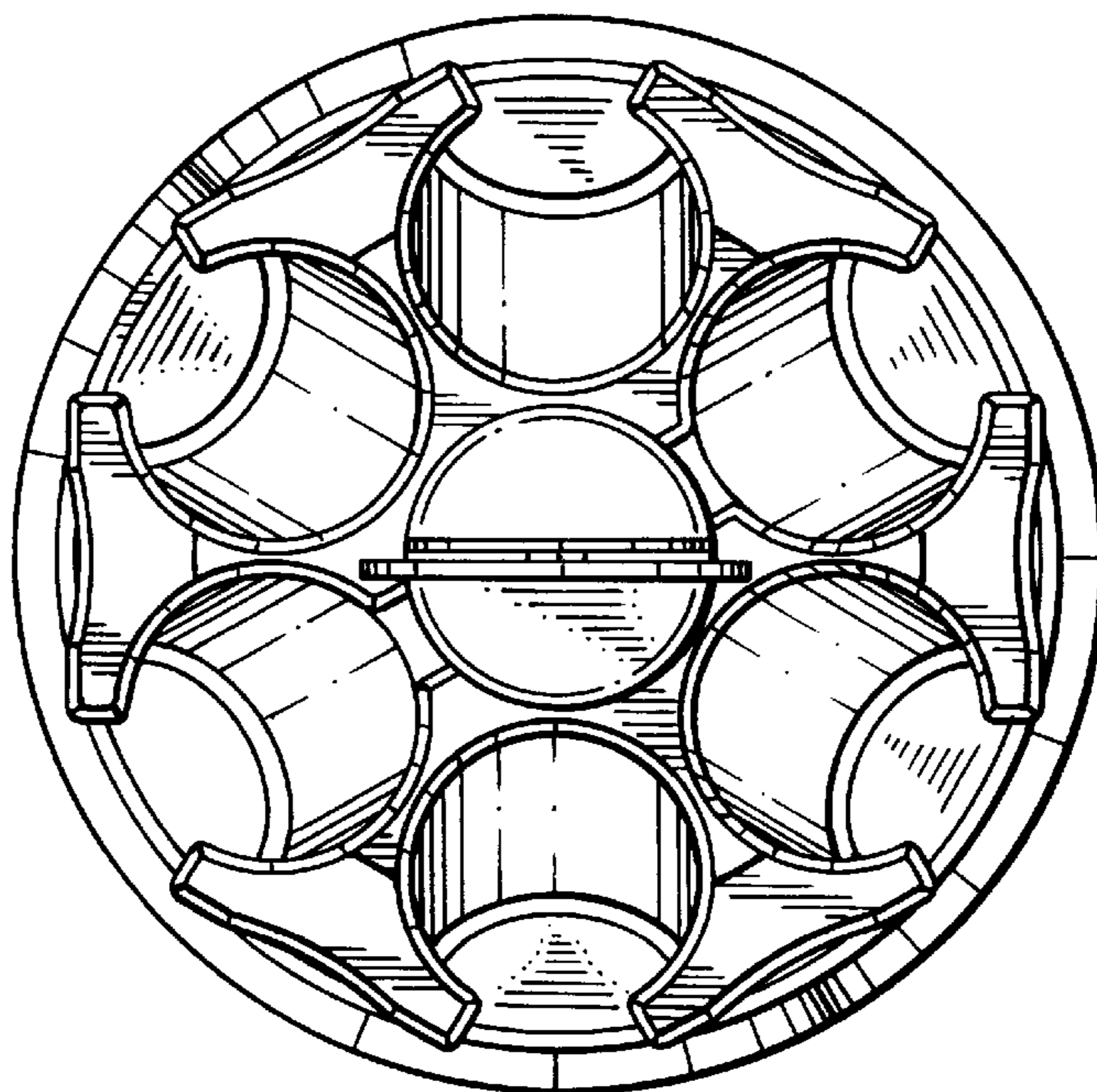


FIG. 2

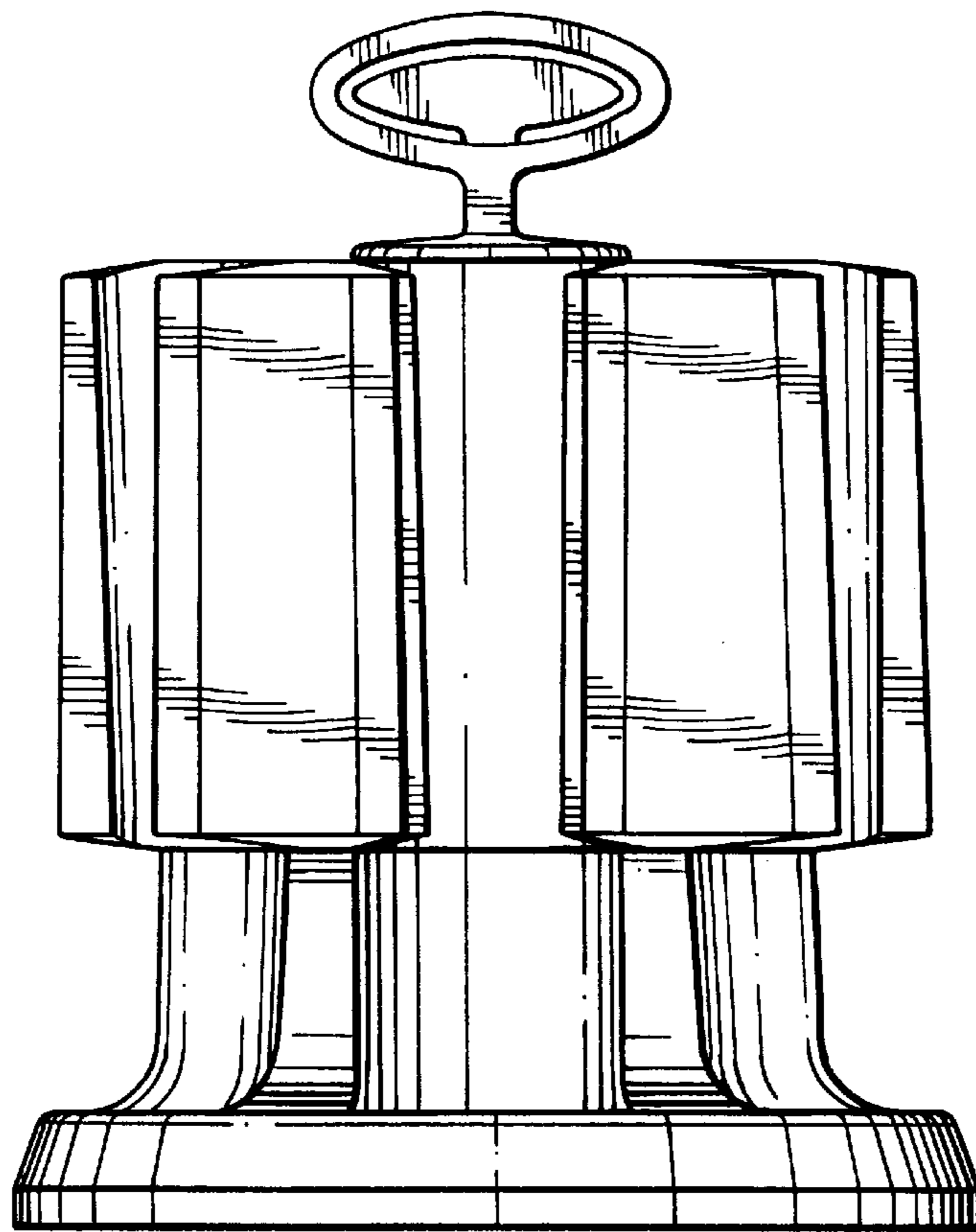


FIG. 3

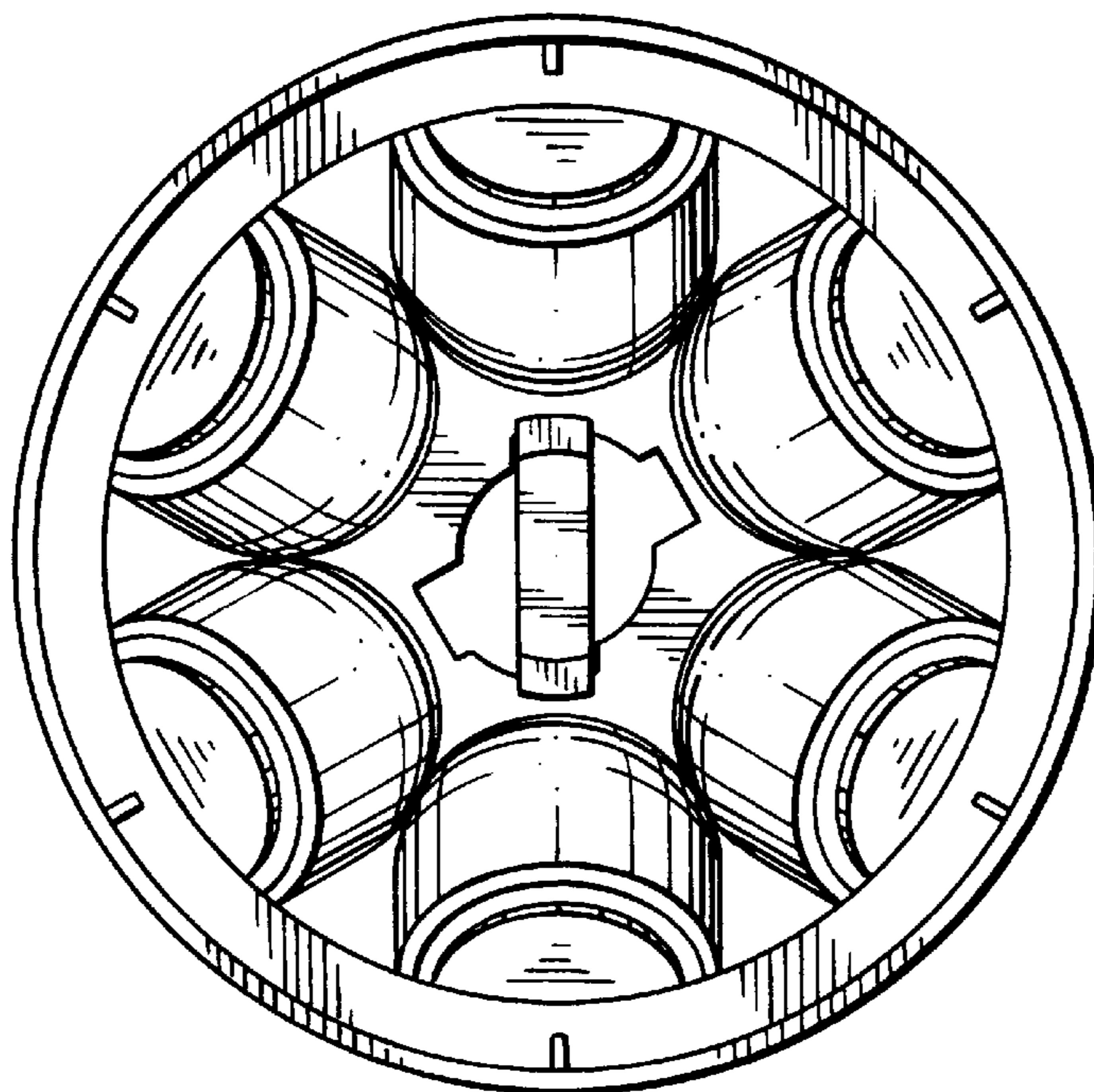


FIG. 4

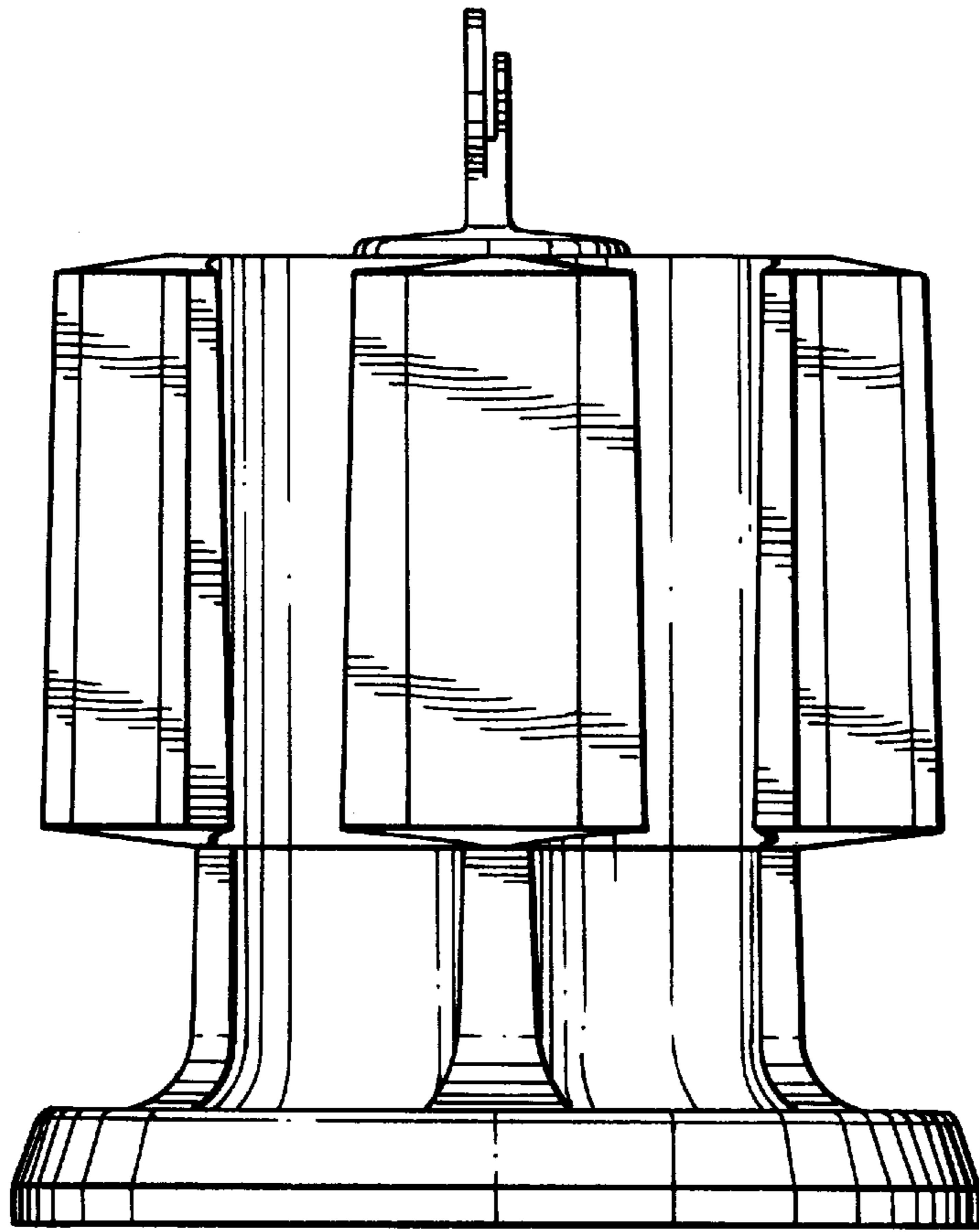


FIG. 5