



US00D399387S

**United States Patent** [19]  
**Lillelund et al.**

[11] **Patent Number: Des. 399,387**  
[45] **Date of Patent: \*\*Oct. 13, 1998**

[54] **OIL/VINEGAR DISPENSER**  
[75] Inventors: **Stig Lillelund**, Gentofte; **Jakob Heiberg**, Charlottenlund; **Hanne Dalsgaard Jeppesen**, Holte, all of Denmark  
[73] Assignee: **Dart Industries Inc.**, Orlando, Fla.  
[\*\*] Term: **14 Years**  
[21] Appl. No.: **73,228**  
[22] Filed: **Jun. 27, 1997**  
[51] **LOC (6) Cl. .... 07-01**  
[52] **U.S. Cl. .... D7/401.1**  
[58] **Field of Search** ..... D7/397, 590, 598, D7/401.1; D9/434, 435, 440, 447, 452-454; 222/481, 478, 489, 544

2,715,480 8/1955 Livingstone .  
4,193,519 3/1980 Dubach et al. .  
4,836,419 6/1989 Metz et al. .  
4,844,302 7/1989 Lay .  
4,890,770 1/1990 Haga et al. .  
5,431,306 7/1995 Reid .  
5,472,120 12/1995 Stebick et al. .  
5,566,862 10/1996 Haffner et al. .

*Primary Examiner*—Terry A. Wallace  
*Attorney, Agent, or Firm*—John A. Doninger

[57] **CLAIM**

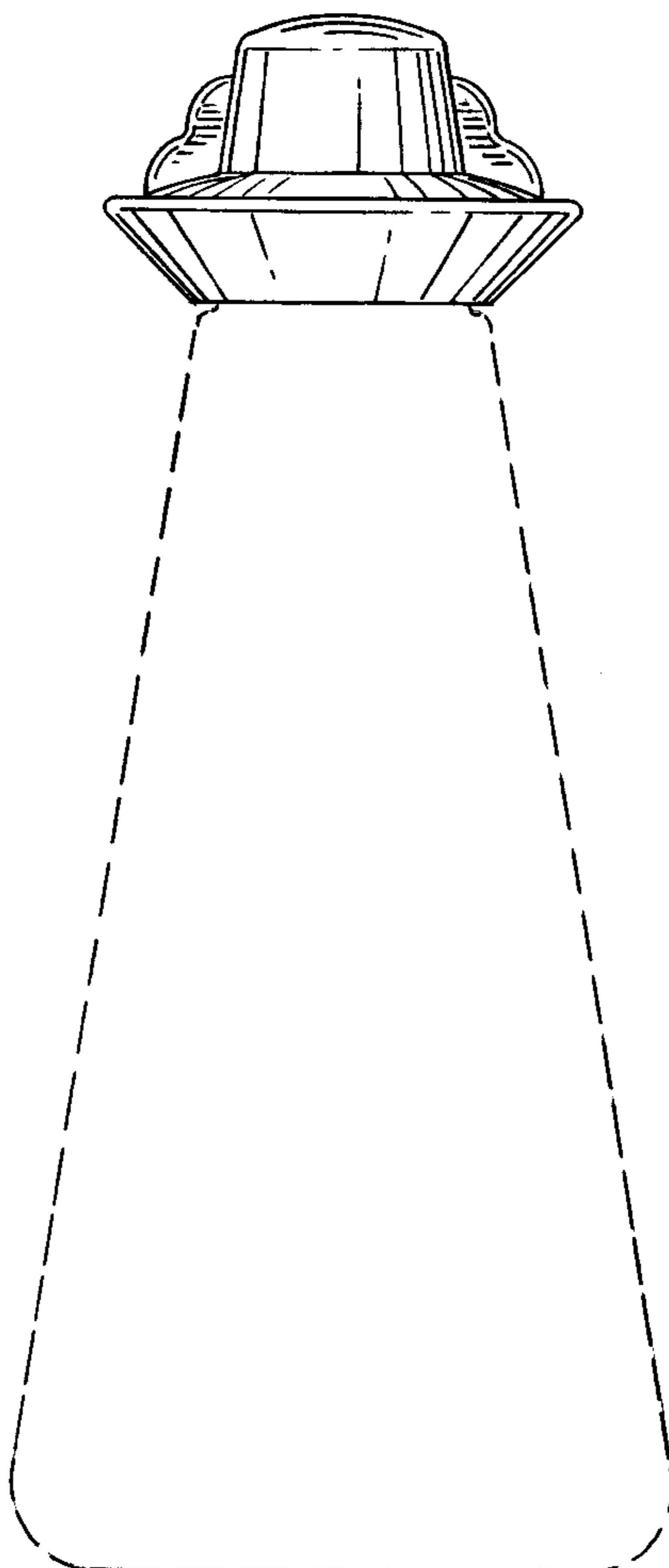
The ornamental design for an oil/vinegar dispenser, as shown and described.

**DESCRIPTION**

FIG. 1 is a top front and side perspective view of an oil/vinegar dispenser showing our new design; FIG. 2 is a top plan view thereof; FIG. 3 is a bottom plan view thereof; FIG. 4 is a front elevation view thereof; FIG. 5 is a rear elevation view thereof; FIG. 6 is a right side elevation view thereof; and, FIG. 7 is a left side elevation view thereof. The bottle shown in phantom lines is for environmental purposes only.

[56] **References Cited**  
**U.S. PATENT DOCUMENTS**  
50,620 10/1865 Parise et al. .  
D. 167,725 9/1952 Soffer ..... D9/453 X  
D. 199,994 1/1965 Knodt .  
D. 377,145 1/1997 Huser .  
789,230 5/1905 Peacock .

**1 Claim, 3 Drawing Sheets**



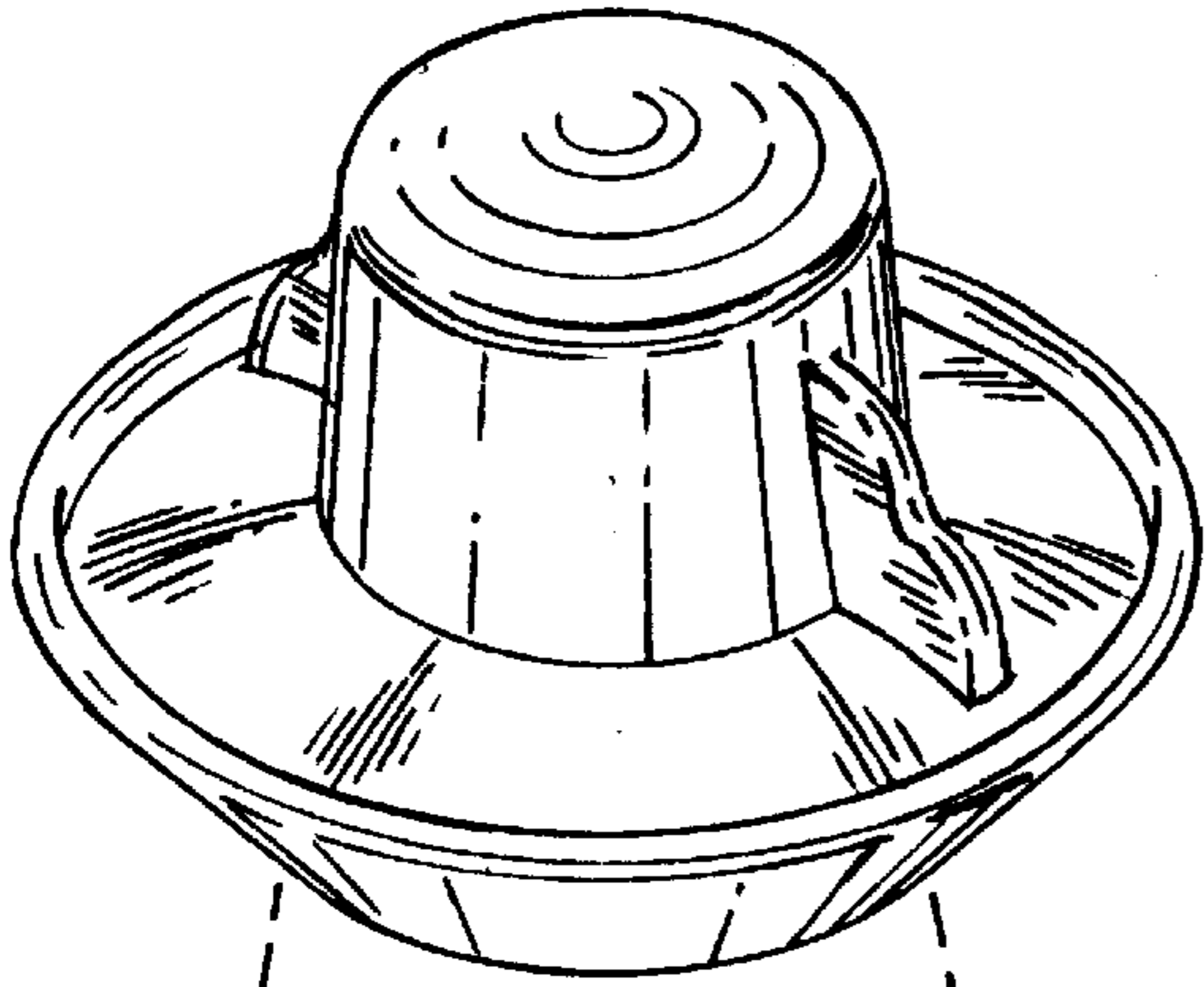


FIG. 1

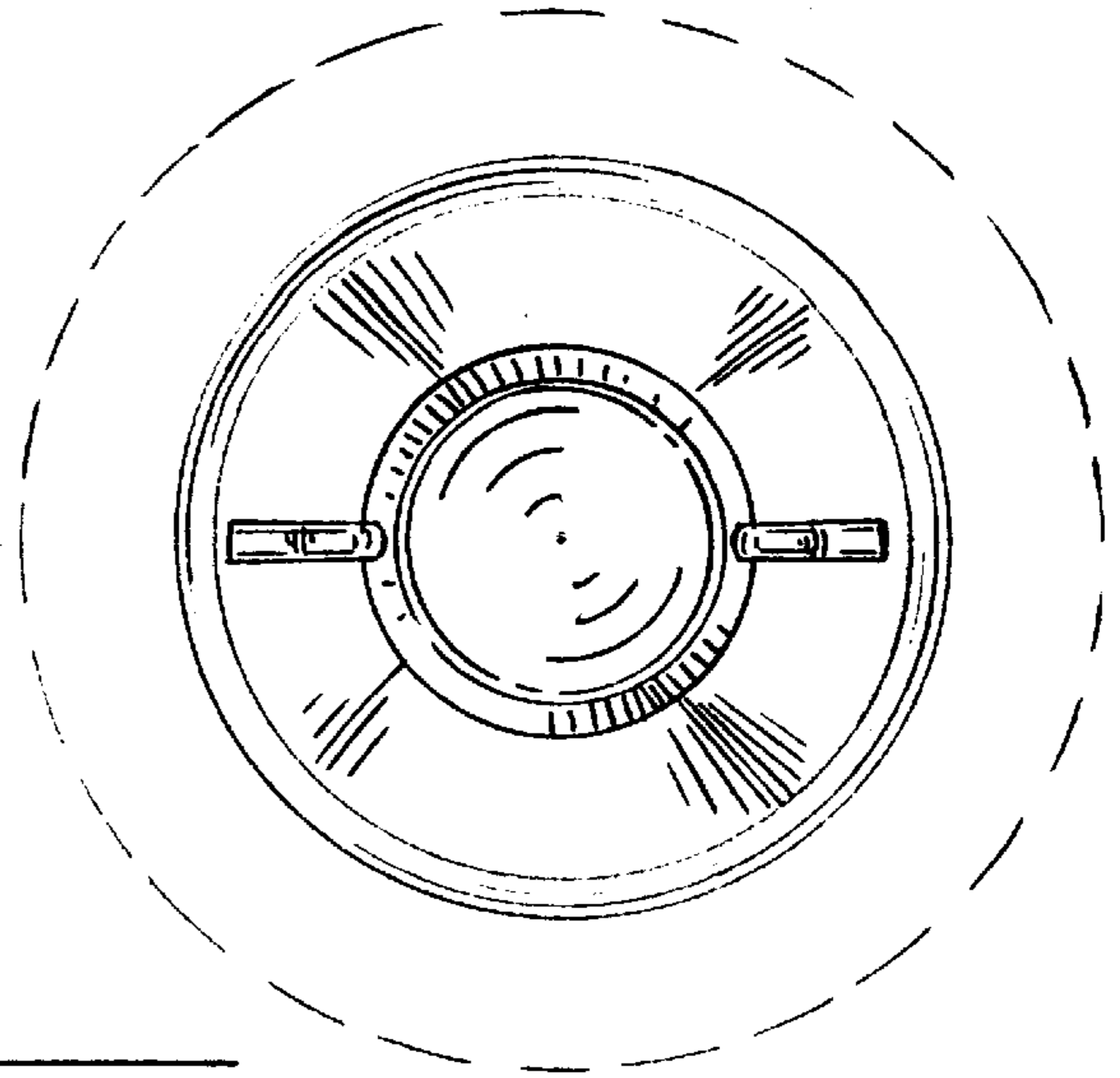


FIG. 2

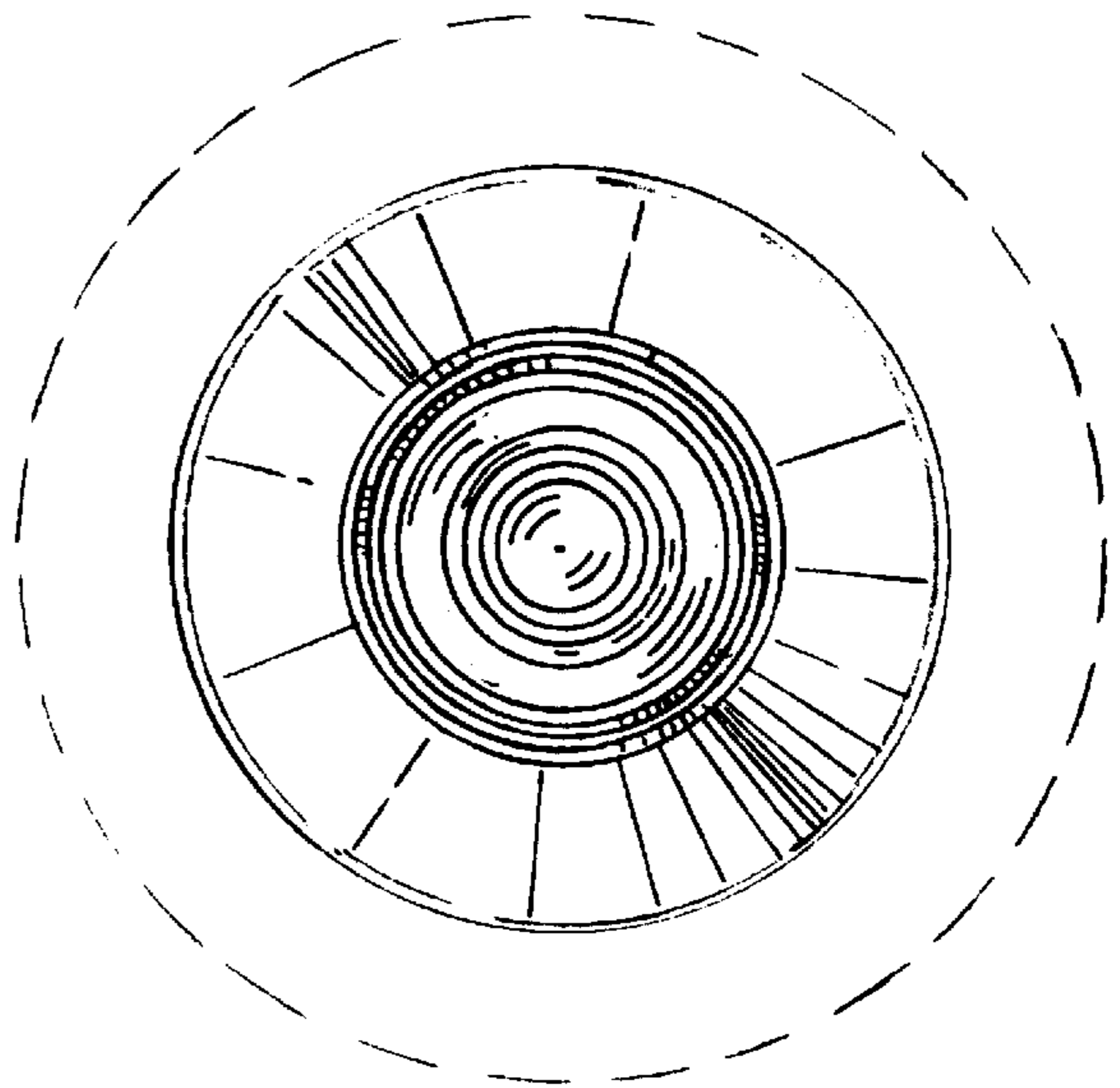


FIG. 3

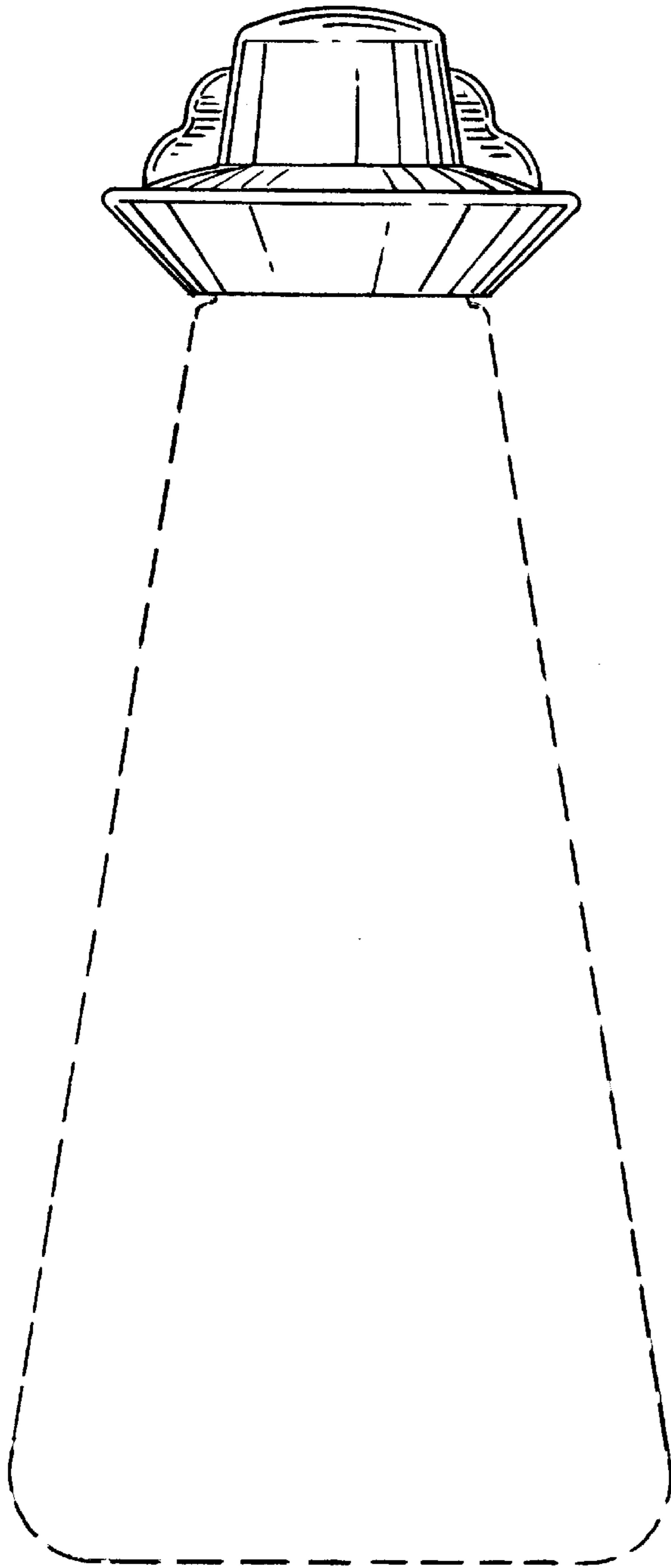


FIG. 4

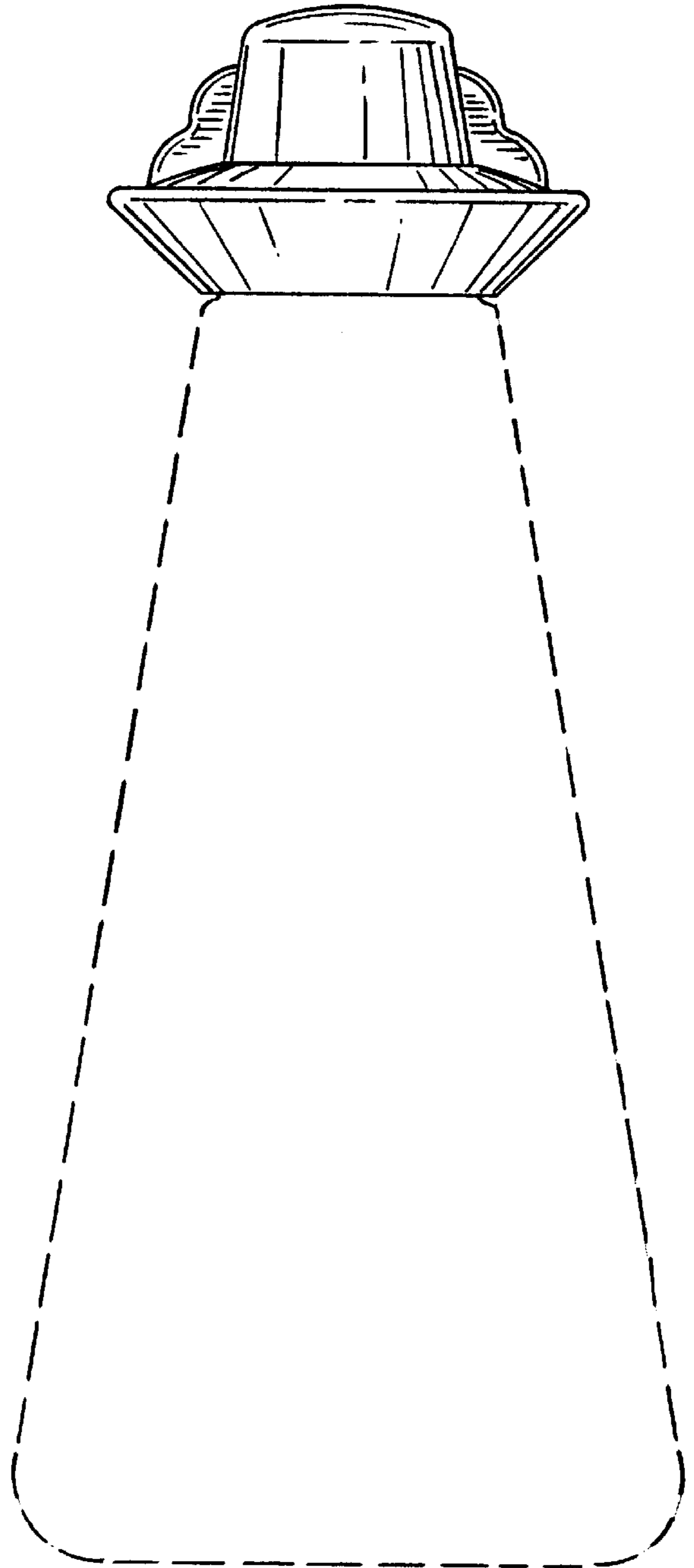


FIG. 5

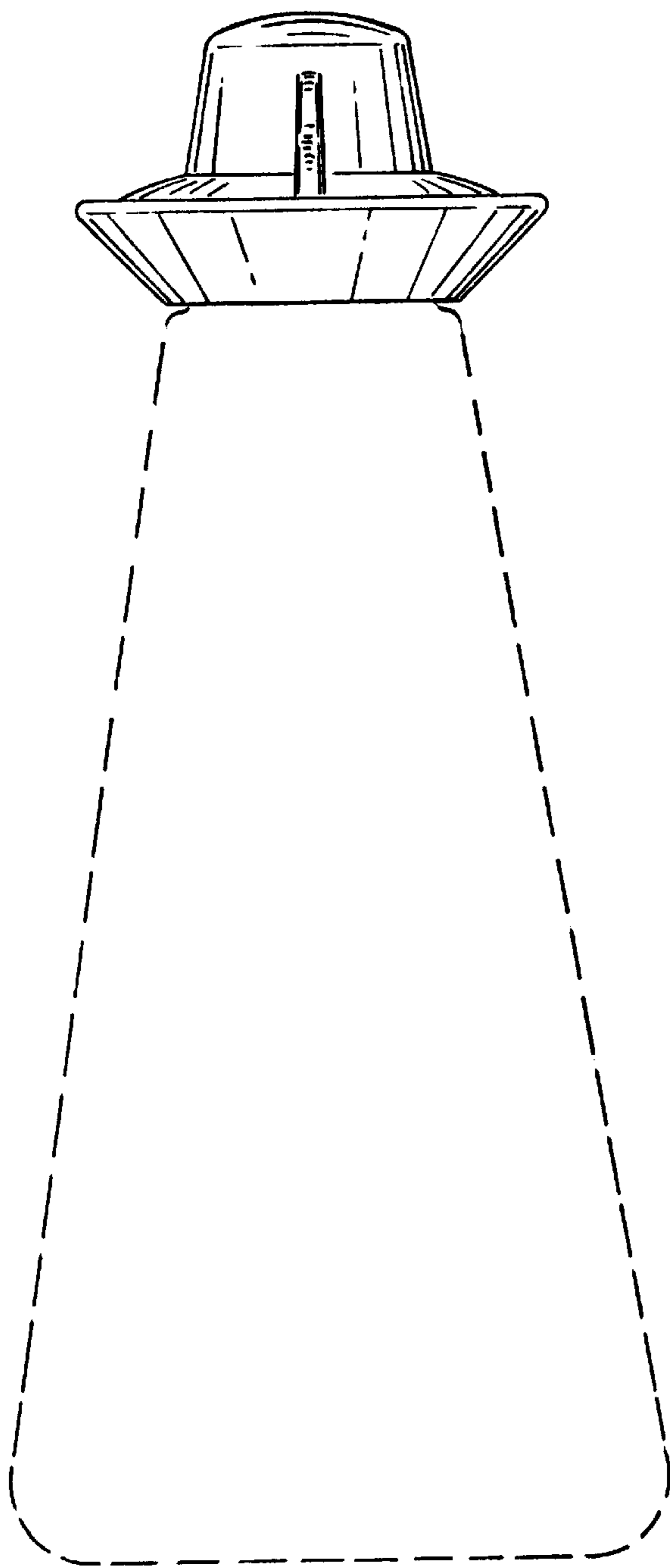


FIG. 6

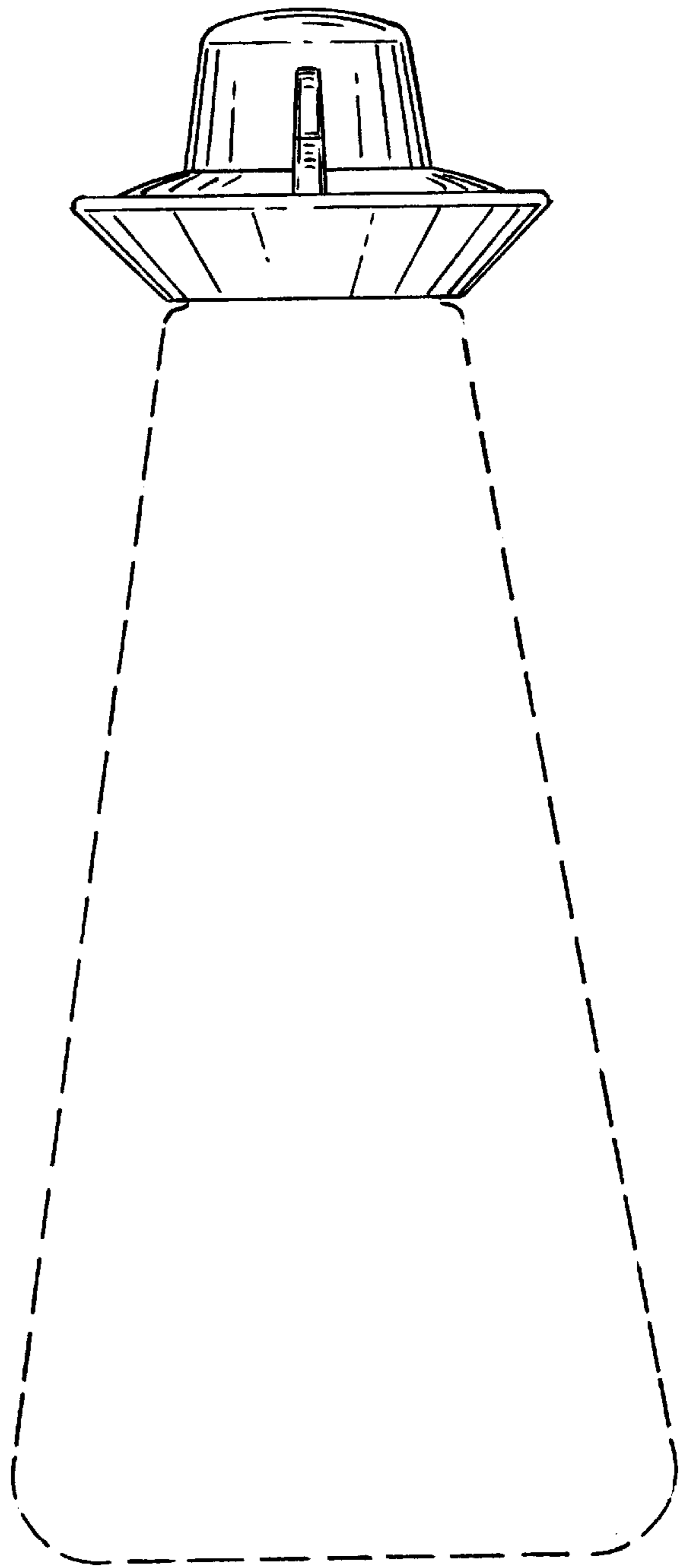


FIG. 7