



US00D399386S

United States Patent [19]
Goodman

[11] **Patent Number: Des. 399,386**

[45] **Date of Patent: **Oct. 13, 1998**

[54] **TRIVET**

[76] **Inventor: Sheldon H. Goodman**, 30905 Stratford,
Solon, Ohio 44139

[**] **Term: 14 Years**

[21] **Appl. No.: 68,666**

[22] **Filed: Mar. 20, 1997**

[51] **LOC (6) Cl. 07-01**

[52] **U.S. Cl. D7/388; D7/403**

[58] **Field of Search D7/388, 403, 704,
D7/409, 387, 213; 220/743; 99/450; 748/153**

[56] **References Cited**

U.S. PATENT DOCUMENTS

D. 174,926	6/1955	Semler	248/153
D. 188,556	8/1960	Theisen	D7/388
D. 195,475	6/1963	Swett	D7/388
D. 240,105	6/1976	Boyd et al.	D7/388
D. 258,631	3/1981	Lax	D7/388
D. 265,790	8/1982	Taylor	D7/388

D. 269,660	7/1983	Powers	99/450
D. 339,266	9/1993	Lockett	D7/409
D. 371,719	7/1996	Perry	D7/388
4,817,812	4/1989	Sarnoff et al.	220/743

Primary Examiner—M. N. Pandozzi
Attorney, Agent, or Firm—Pearne, Gordon, McCoy and
Granger LLP

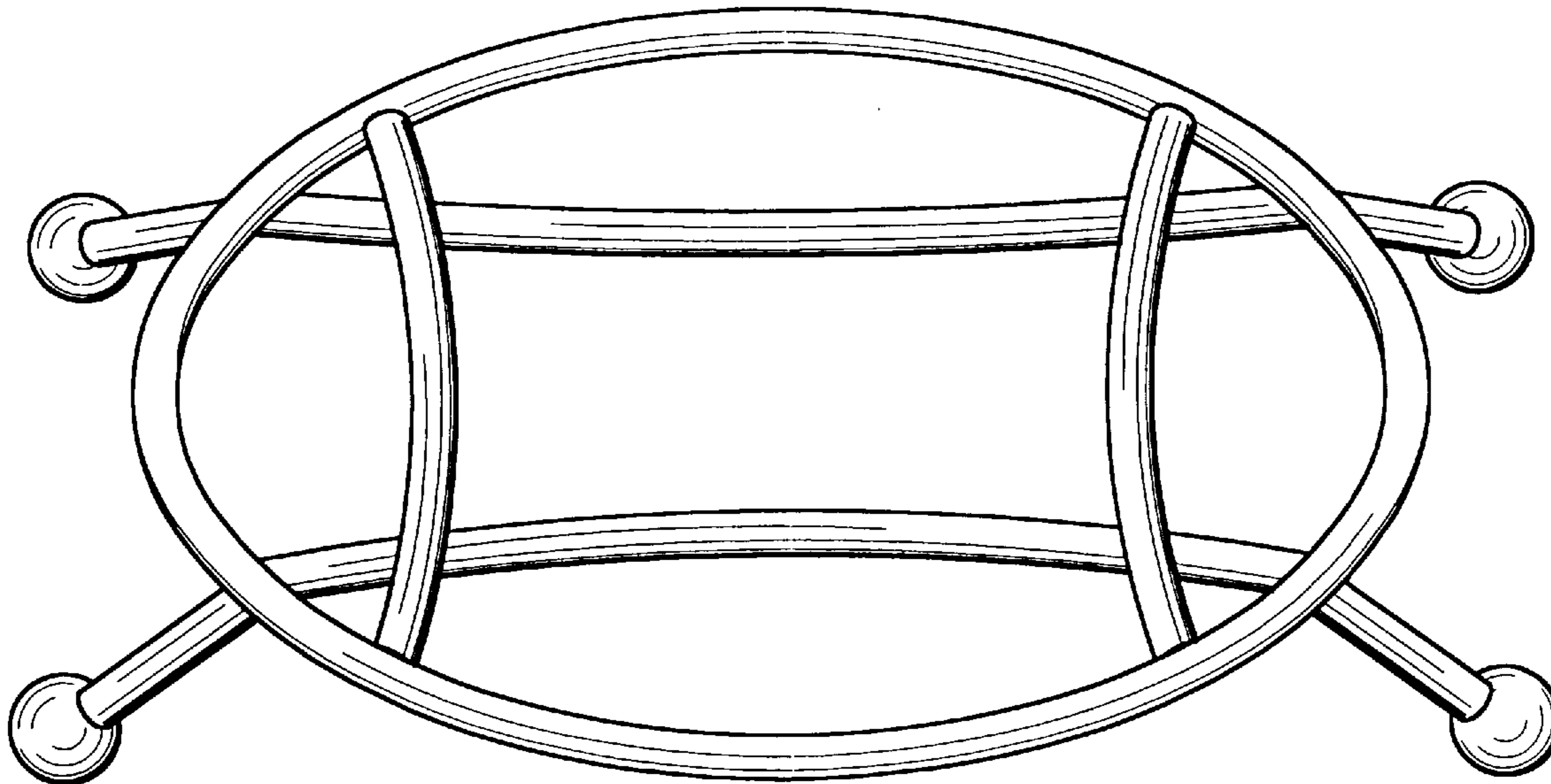
[57] **CLAIM**

The ornamental design for a trivet, as shown and described.

DESCRIPTION

FIG. 1 is a side, top and front perspective view of a trivet, showing my new design;
FIG. 2 is a top plan view thereof;
FIG. 3 is a front elevational view thereof; the rear elevational view being a mirror image;
FIG. 4 is a left side elevational view thereof; the right side elevational view being a mirror image; and,
FIG. 5 is a bottom plan view thereof.

1 Claim, 2 Drawing Sheets



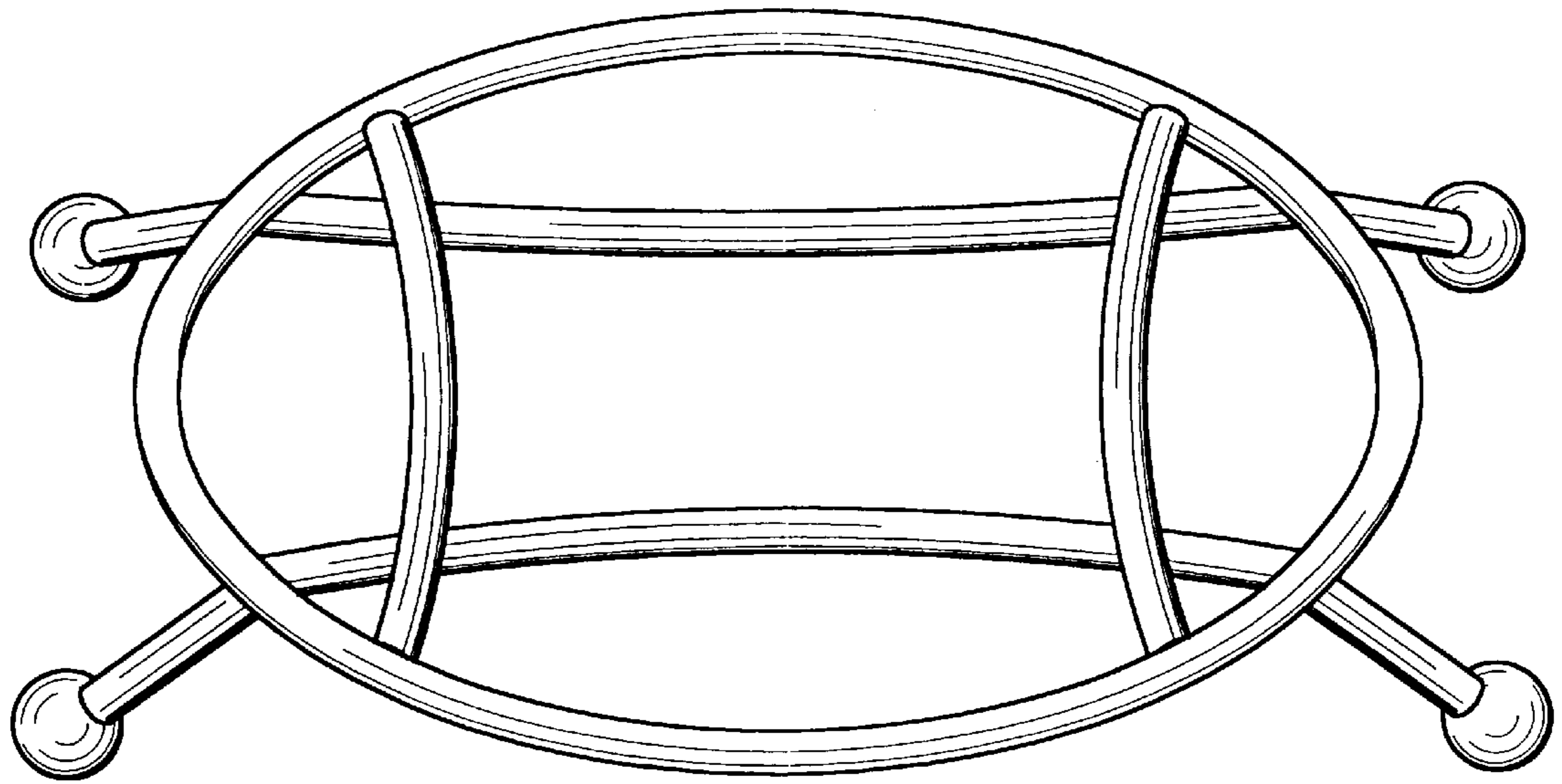


Fig. 1

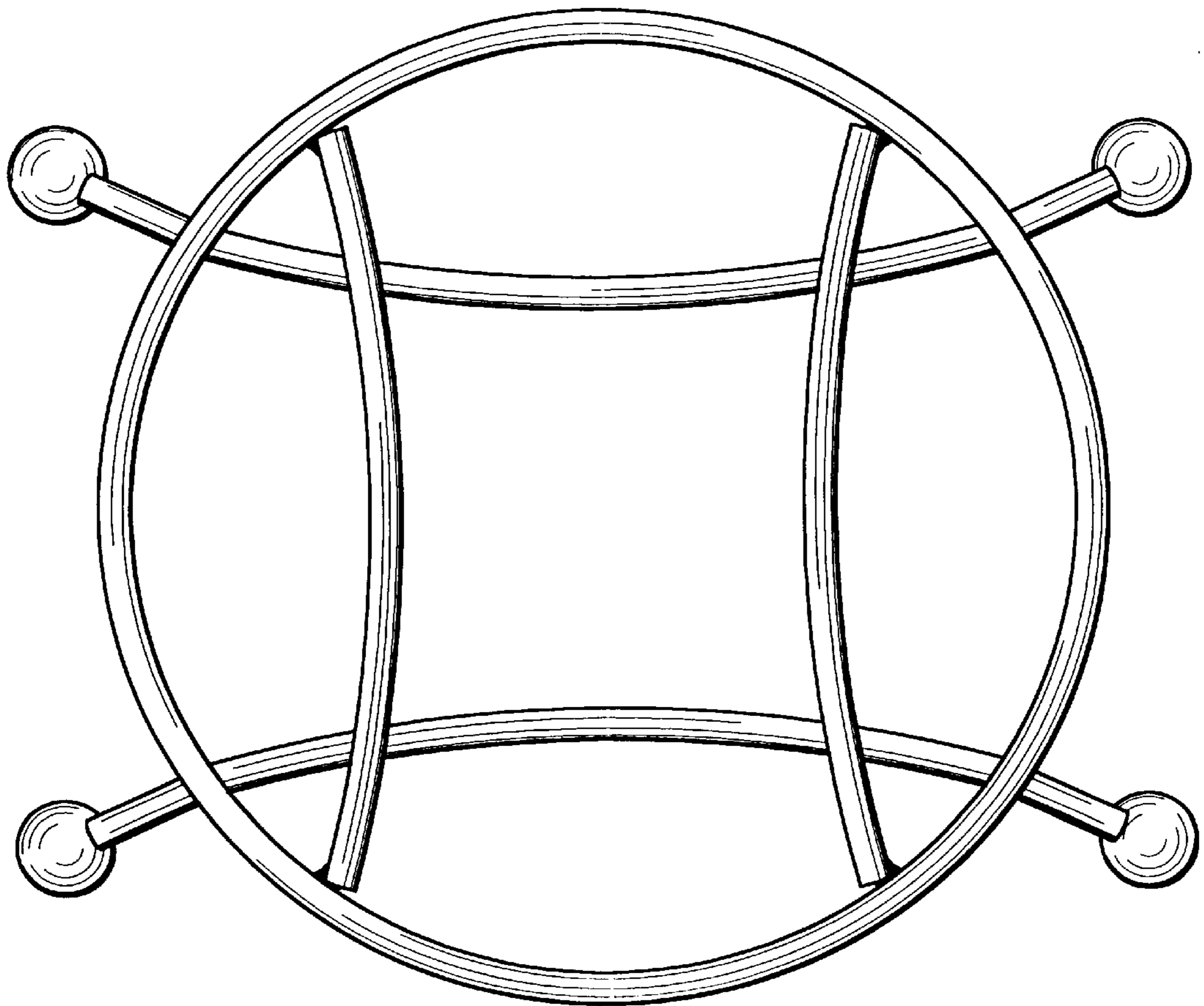


Fig. 2

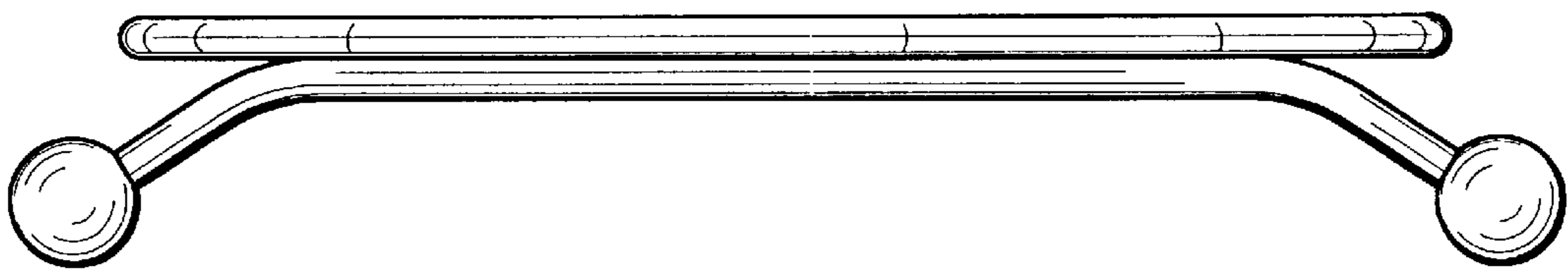


Fig.3

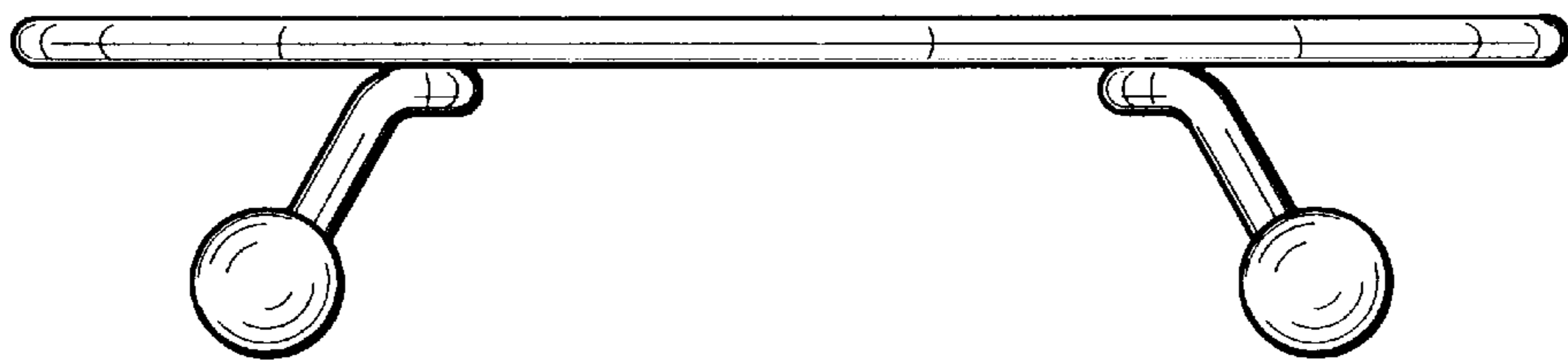


Fig.4

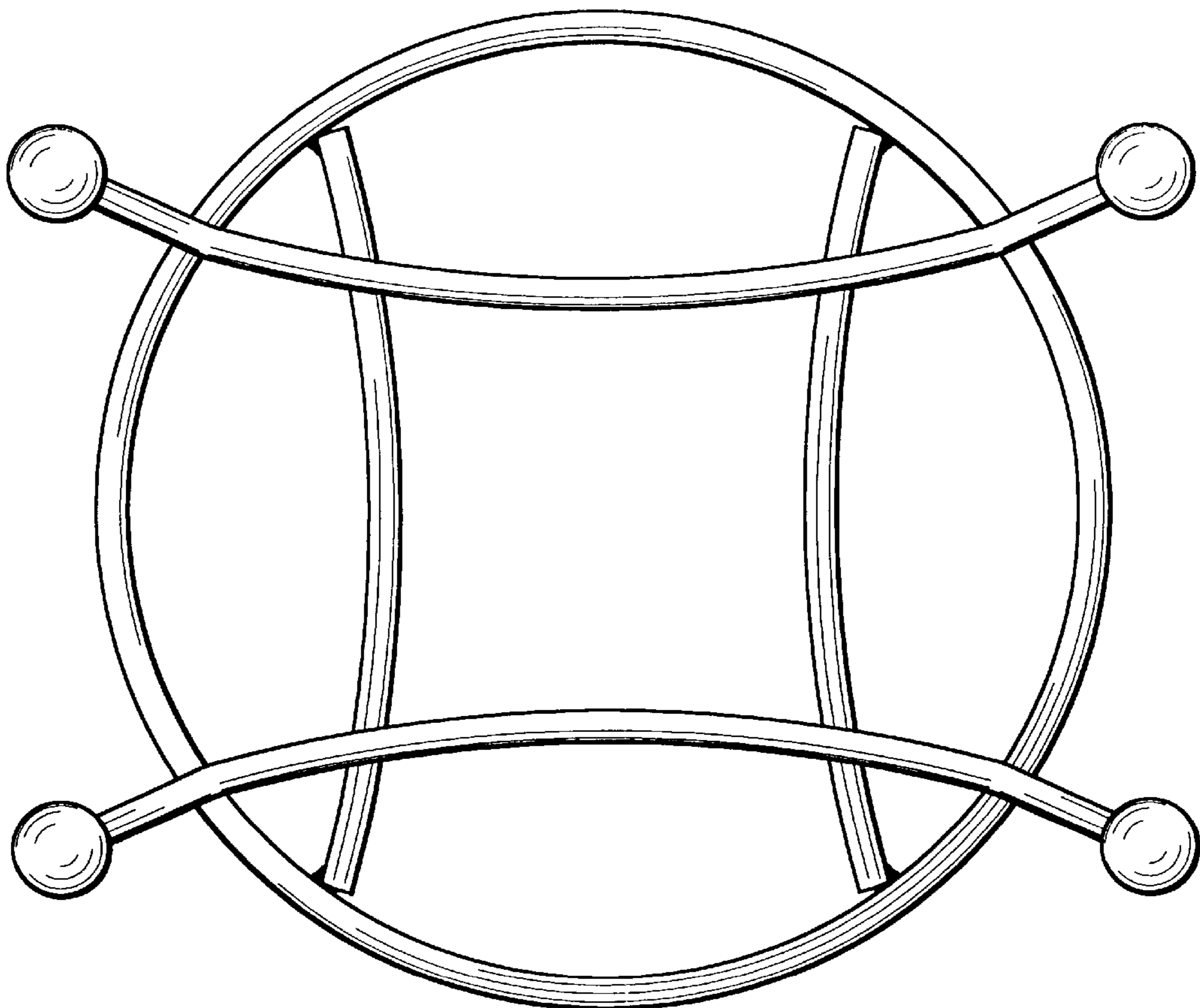


Fig.5