



US00D399384S

**United States Patent** [19]  
**Ranzoni**

[11] **Patent Number: Des. 399,384**

[45] **Date of Patent: \*\*Oct. 13, 1998**

[54] **COFFEEPOT**

[75] Inventor: **Francesco Ranzoni**, Chiari, Italy

[73] Assignee: **S.p.A. Alfonso Bialetti & C.**, Omegna, Italy

[\*\*] Term: **14 Years**

[21] Appl. No.: **67,560**

[22] Filed: **Mar. 5, 1997**

[51] **LOC (6) Cl.** ..... **07-01**

[52] **U.S. Cl.** ..... **D7/318; D7/317**

[58] **Field of Search** ..... **D7/300, 312, 316, D7/317, 318, 319, 321, 372, 305, 310; 220/475, 756; 222/472**

[56] **References Cited**

**U.S. PATENT DOCUMENTS**

D. 45,331	3/1914	Farr	.....	D7/319	X
D. 191,624	10/1961	Day	.....	D7/319	X
3,935,804	2/1976	Perez	.....	D7/318	X

*Primary Examiner—M. N. Pandozzi*  
*Attorney, Agent, or Firm—Sheridan Ross P.C.*

[57] **CLAIM**

The design for a “coffeepot,” as shown and described.

**DESCRIPTION**

FIG. 1 shows a perspective view of the coffeepot depicting the new design;

FIG. 2 shows a right side view of the coffeepot depicting the new design;

FIG. 3 shows a front view of the coffeepot depicting the new design;

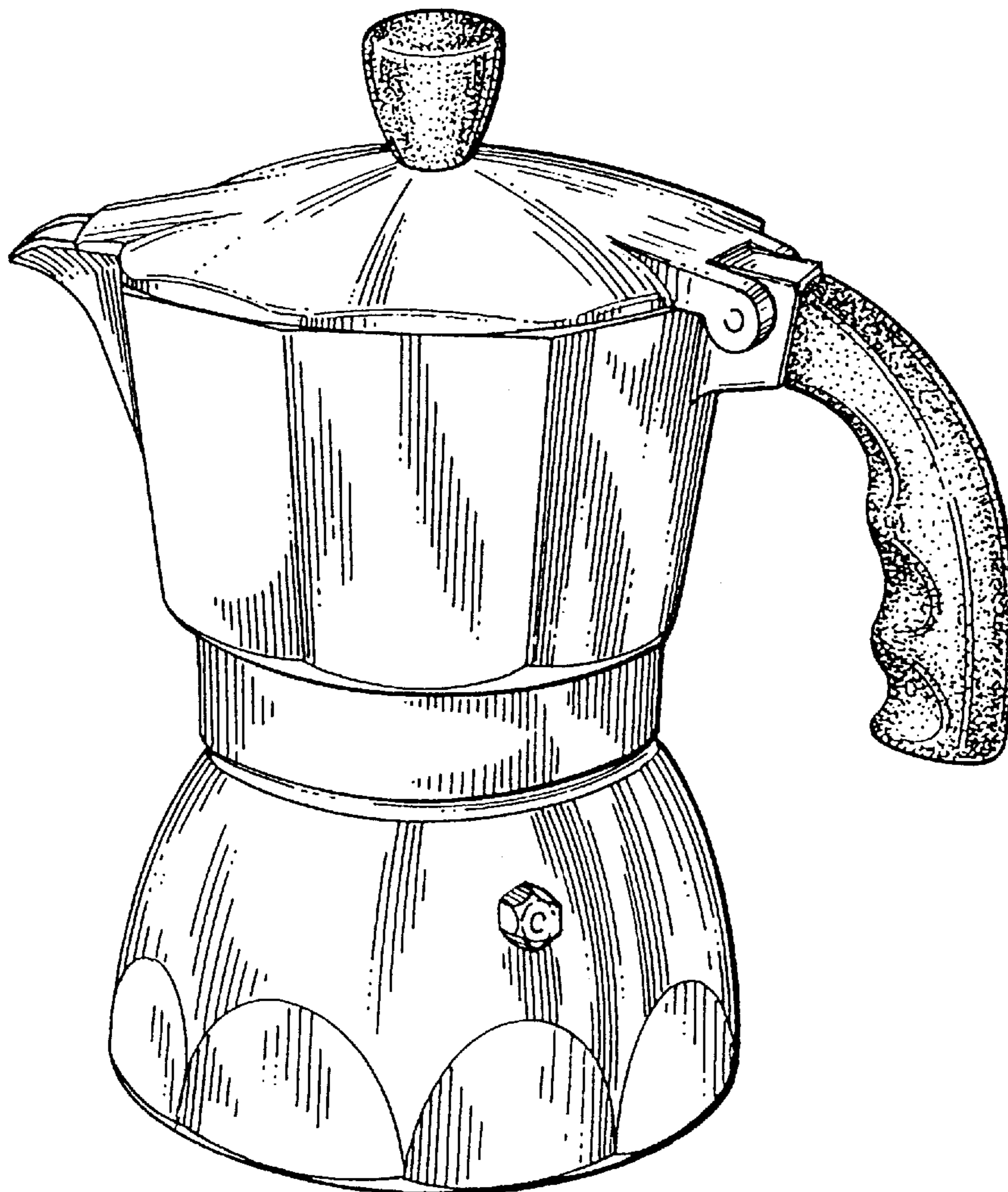
FIG. 4 shows a left side view of the coffeepot depicting the new design;

FIG. 5 shows a back view of the coffeepot depicting the new design;

FIG. 6 shows a top view of the coffeepot depicting the new design; and,

FIG. 7 shows a bottom view of the coffeepot depicting the new design.

**1 Claim, 6 Drawing Sheets**



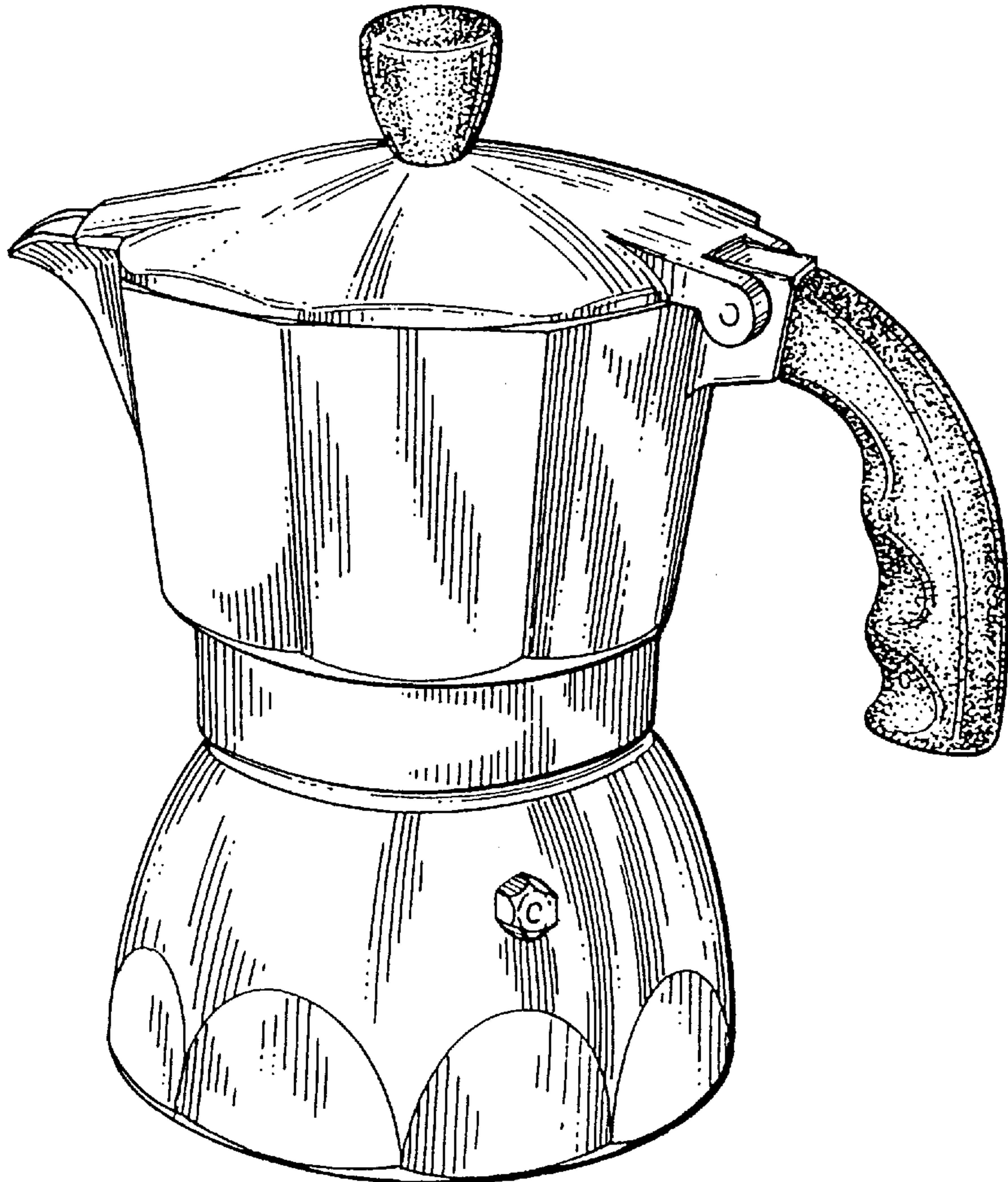


FIG. 1

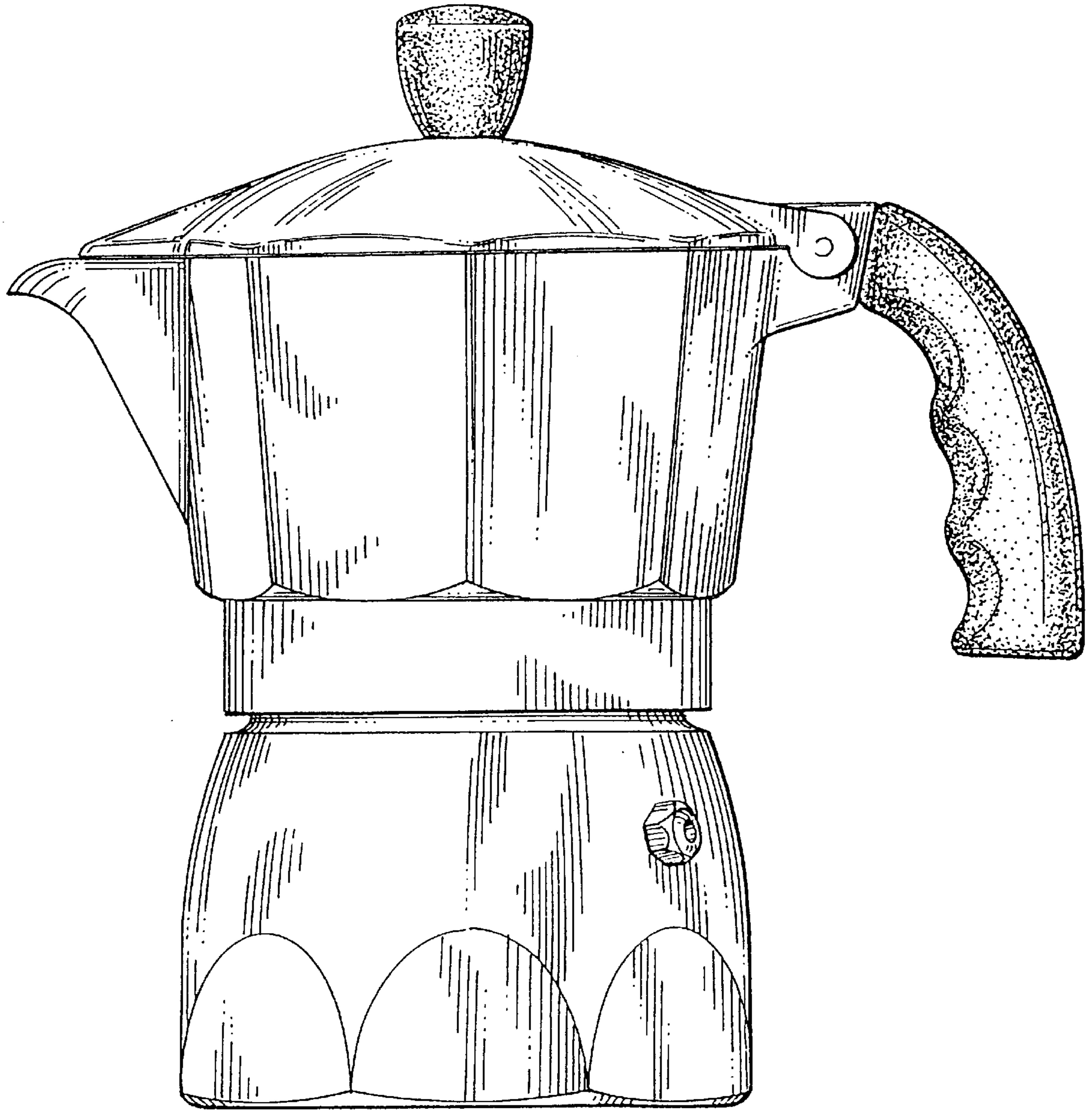


FIG. 2

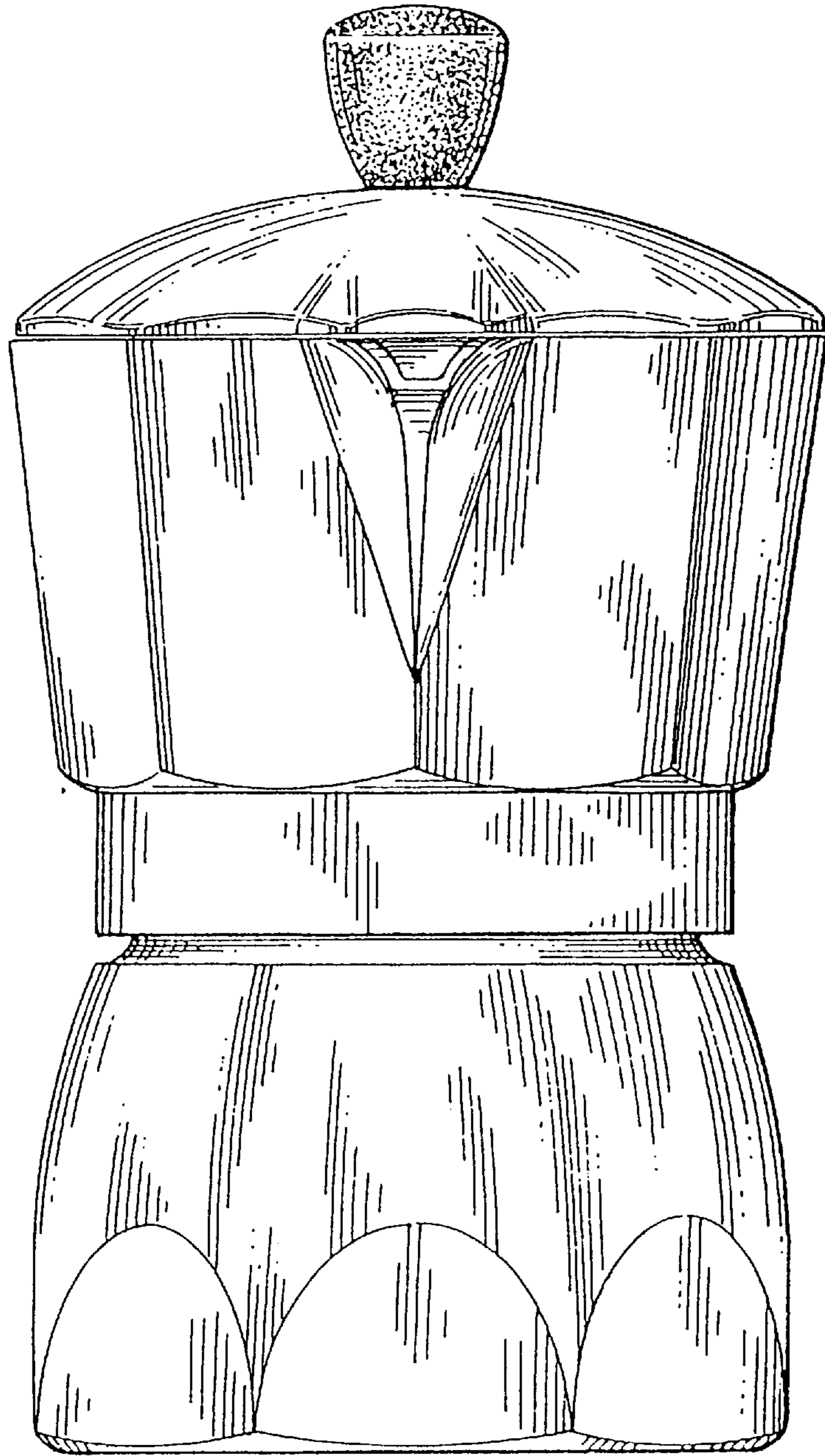


FIG.3

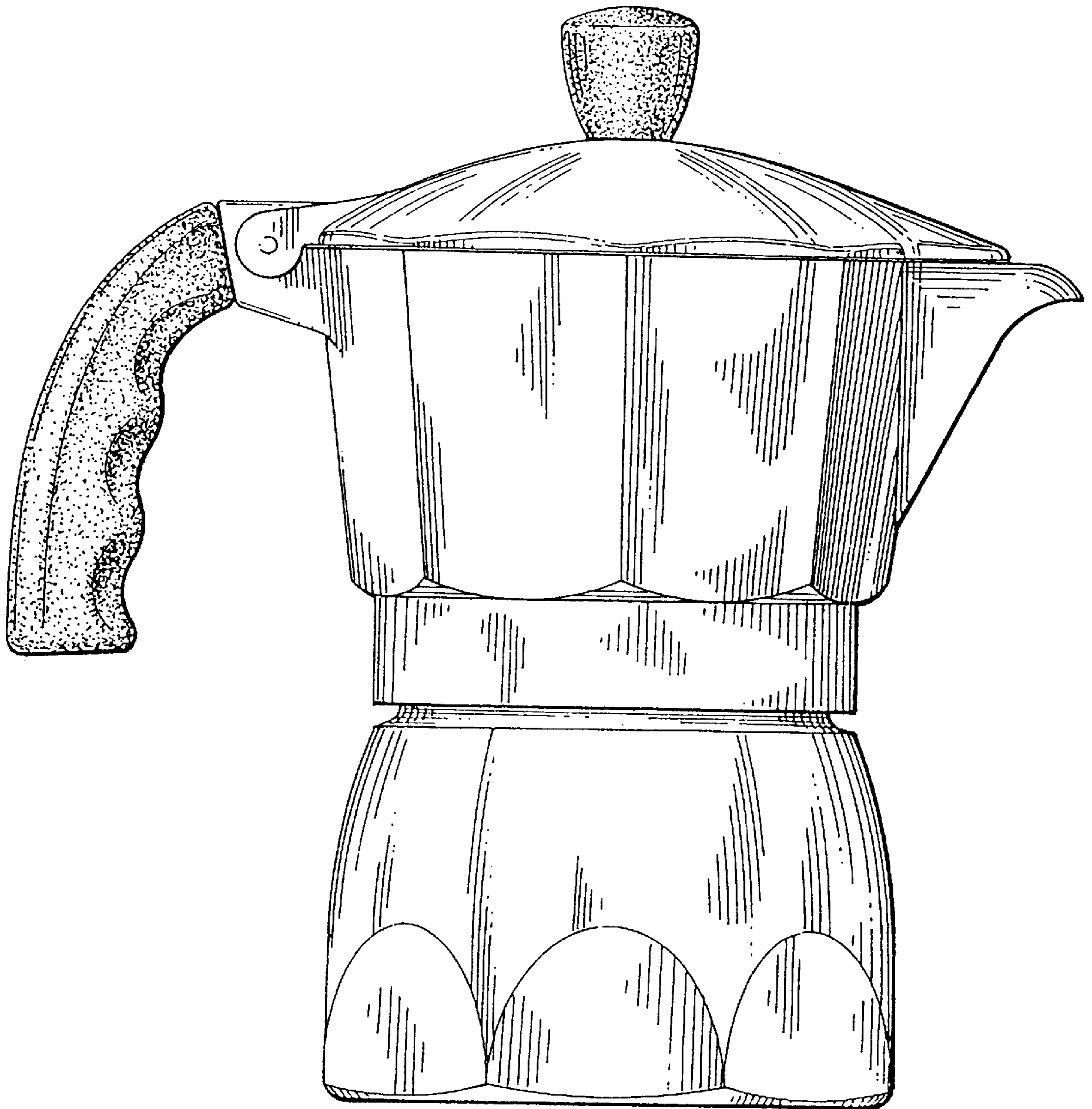


FIG. 4

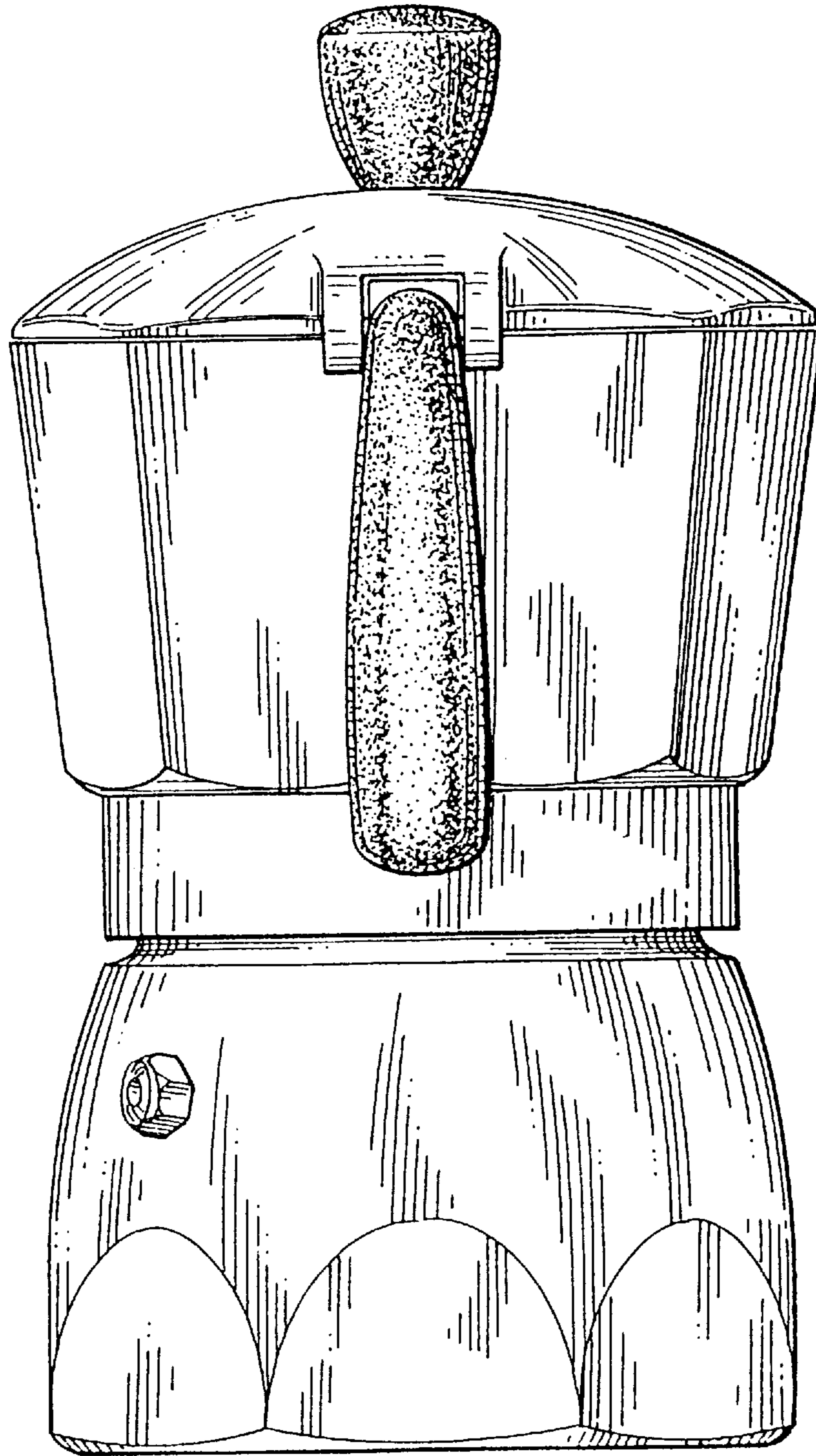


FIG.5

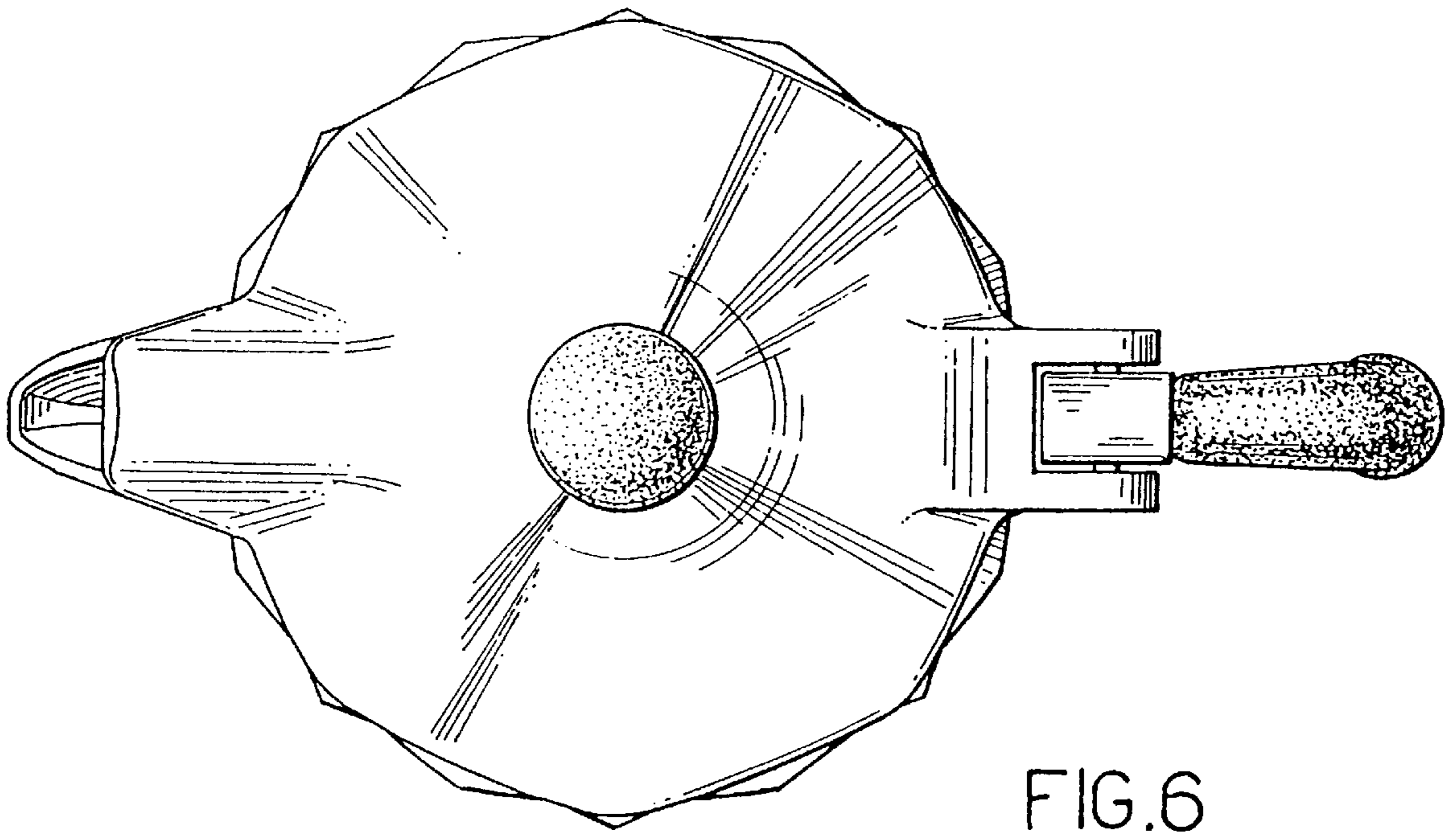


FIG. 6

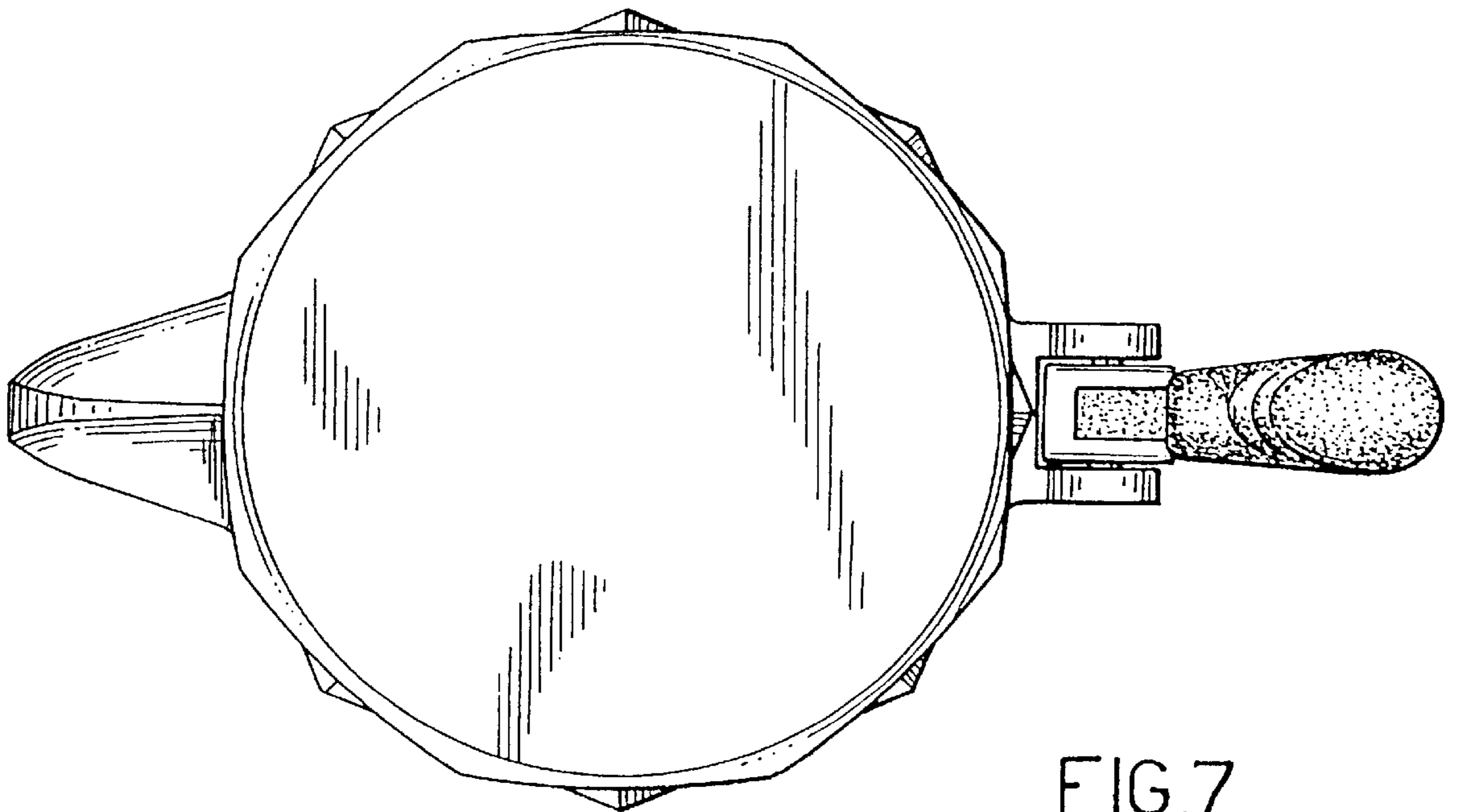


FIG. 7