



US00D399383S

United States Patent [19] Goguen

[11] Patent Number: **Des. 399,383**

[45] Date of Patent: ****Oct. 13, 1998**

[54] **COMPACT DISC HOLDER**

[75] Inventor: **George Goguen**, Cambridge, Mass.

[73] Assignee: **The American Corplexx Company, Inc.**, Boston, Mass.

[**] Term: **14 Years**

[21] Appl. No.: **49,287**

[22] Filed: **Jan. 22, 1996**

[51] **LOC (6) Cl.** **06-04**

[52] **U.S. Cl.** **D6/629; D6/478**

[58] **Field of Search** D6/407, 629-635, D6/627, 628, 467, 468, 477-479; 211/40, 41, 42, 149, 130, 132; 248/174; 312/9.1, 9.9, 9.16, 9.45, 9.46, 9.48, 9.51-9.53, 9.55, 9.56; 108/108, 111, 91, 53.1

[56] **References Cited**

U.S. PATENT DOCUMENTS

D. 105,324	7/1937	Burchenal	D6/478
D. 119,582	3/1940	Williams et al.	D6/478 X
D. 213,380	2/1969	Huncovsky	D6/468
D. 214,472	6/1969	Freidman	D6/478
D. 238,535	1/1976	Daniels	D6/468
D. 256,643	9/1980	Johnson	D6/429
D. 313,520	1/1991	Block	D6/407 X
D. 326,966	6/1992	Eggink et al.	D6/478
D. 333,931	3/1993	Wein	D6/478
D. 354,877	1/1995	Davis et al.	D6/468 X
D. 358,725	5/1995	Stender	D6/479 X
D. 361,011	8/1995	Weisburn et al.	D6/407

1,124,175	1/1915	Sackett	248/174
3,869,829	3/1975	Chiosso	D6/468 X
4,300,691	11/1981	Shemtov	248/74 X
4,739,665	4/1988	King	211/40 X
4,940,147	7/1990	Hunt	211/40
5,315,936	5/1994	Smith	211/149 X
5,443,168	8/1995	Dyment et al.	211/149

OTHER PUBLICATIONS

BMG Music Service, Multi Media Cabinet at top right. Brochure for Kiosk Chair, designed by Olivier Leblois, manufactured by Kiosk Design Inc., 1 page enclosed—no date provided.

Brochure for Collection Carton, designed by Olivier Leblois, manufactured by Quart de Poil', 3 pages enclosed—no date provided.

Primary Examiner—Jeffrey Asch
Attorney, Agent, or Firm—Kriegsman & Kriegsman

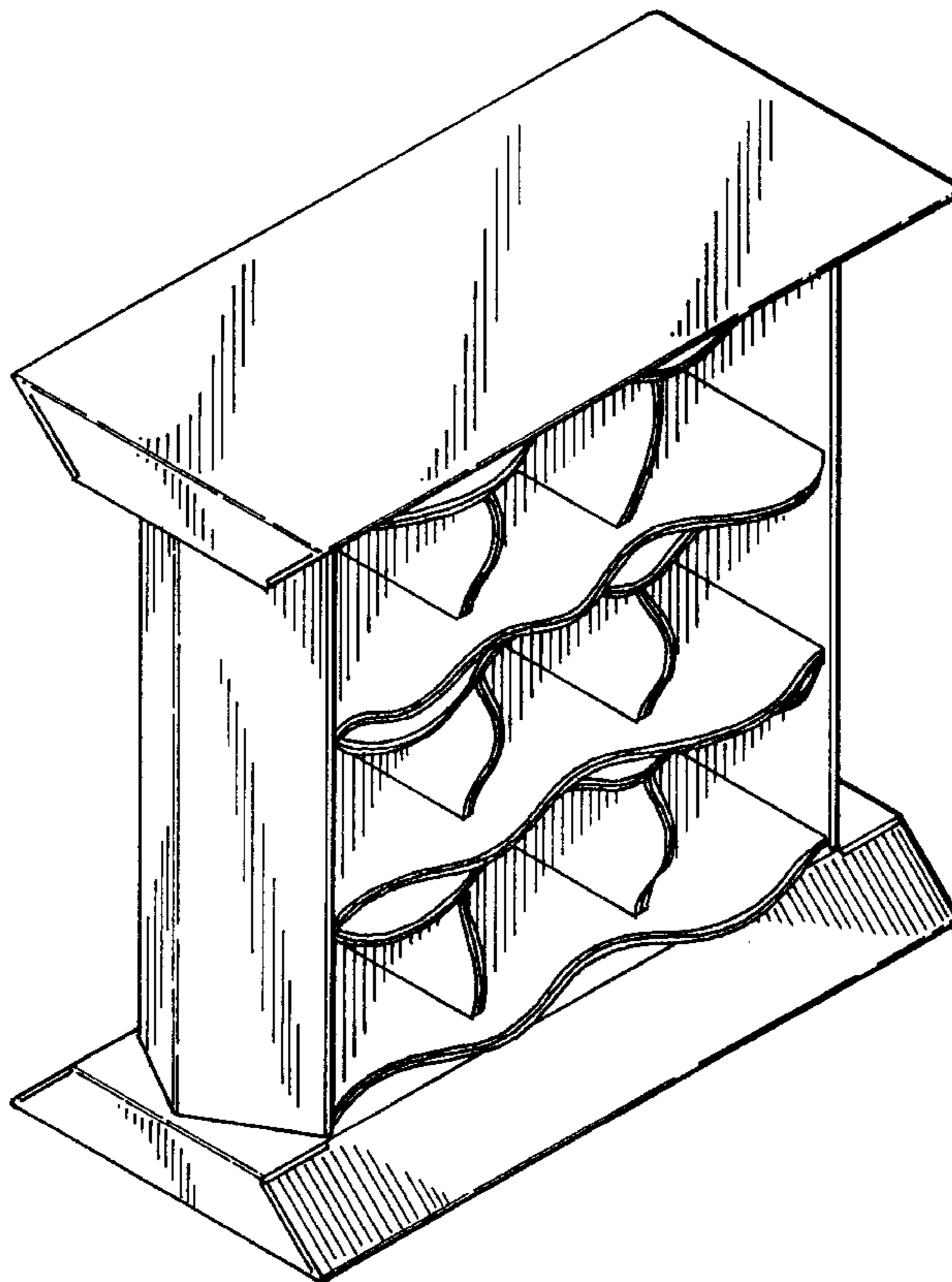
[57] **CLAIM**

The ornamental design for a compact disc holder, as shown and described.

DESCRIPTION

FIG. 1 is a front, left perspective view of a compact disc holder, showing my new design; FIG. 2 is a top plan view thereof, the bottom plan view being identical thereto; FIG. 3 is a left side elevational view thereof; FIG. 4 is a right side elevational view thereof; FIG. 5 is a front elevational view thereof; and, FIG. 6 is a back elevational view thereof.

1 Claim, 3 Drawing Sheets



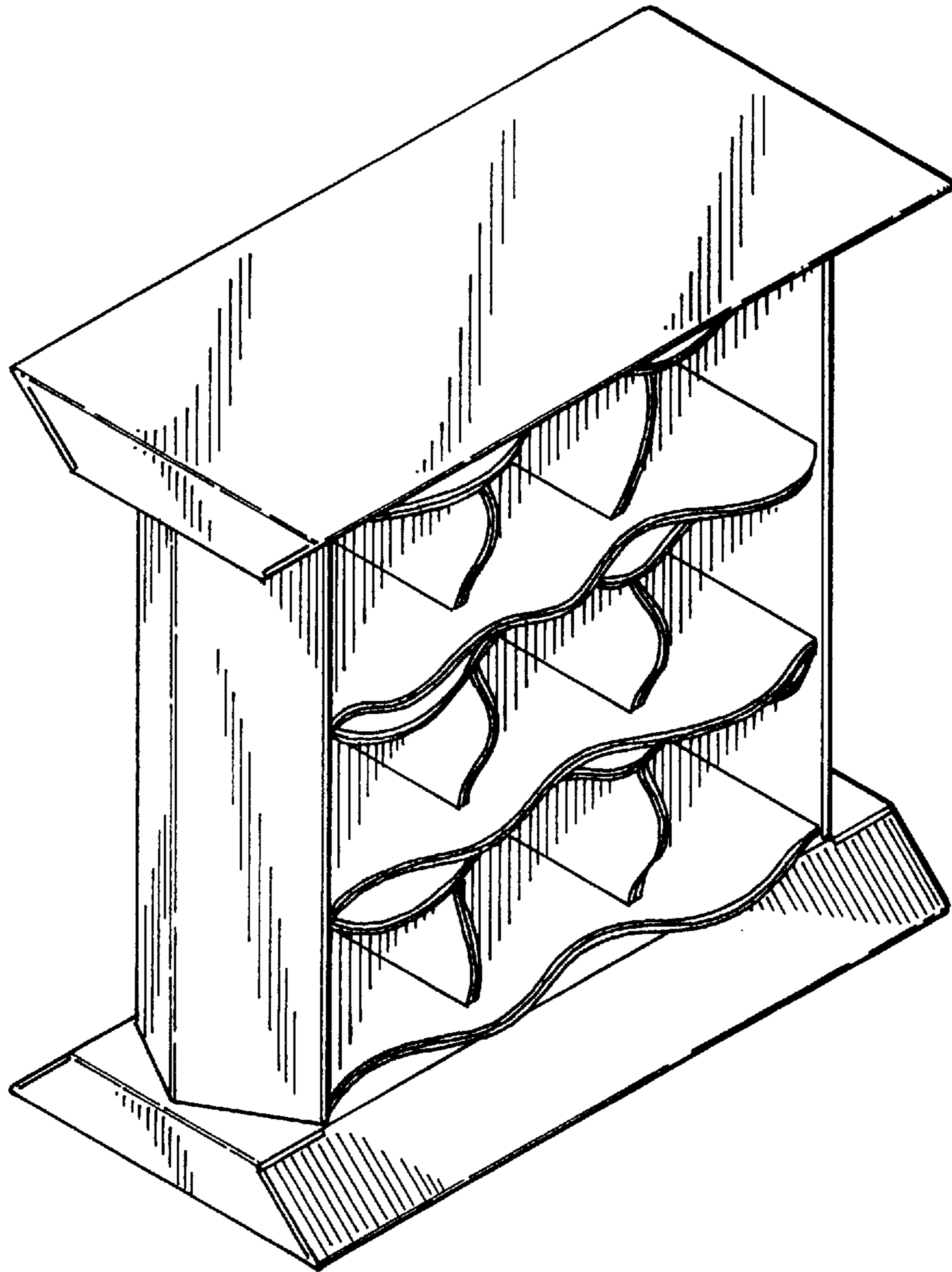


FIG. 1

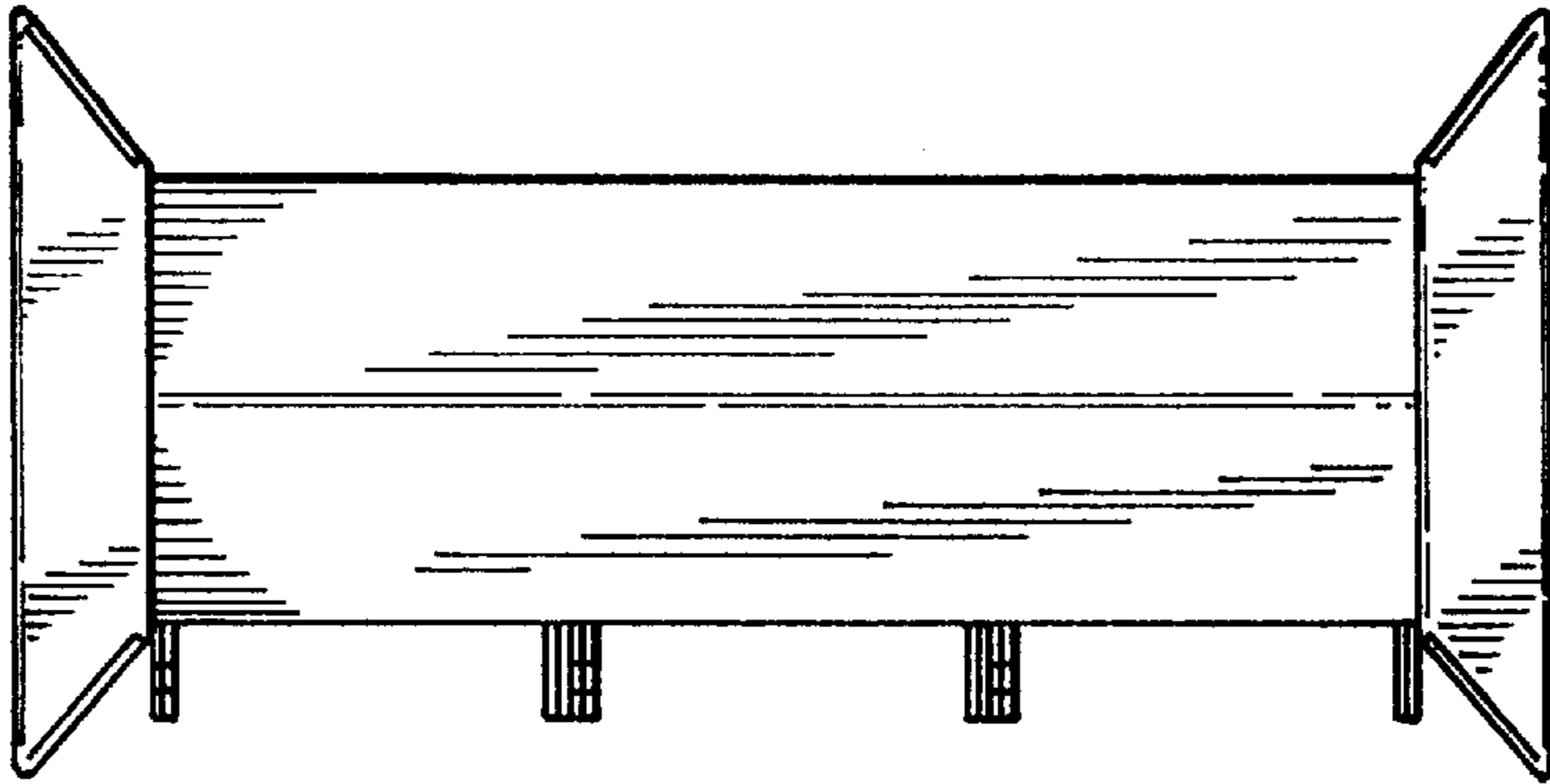


FIG. 4

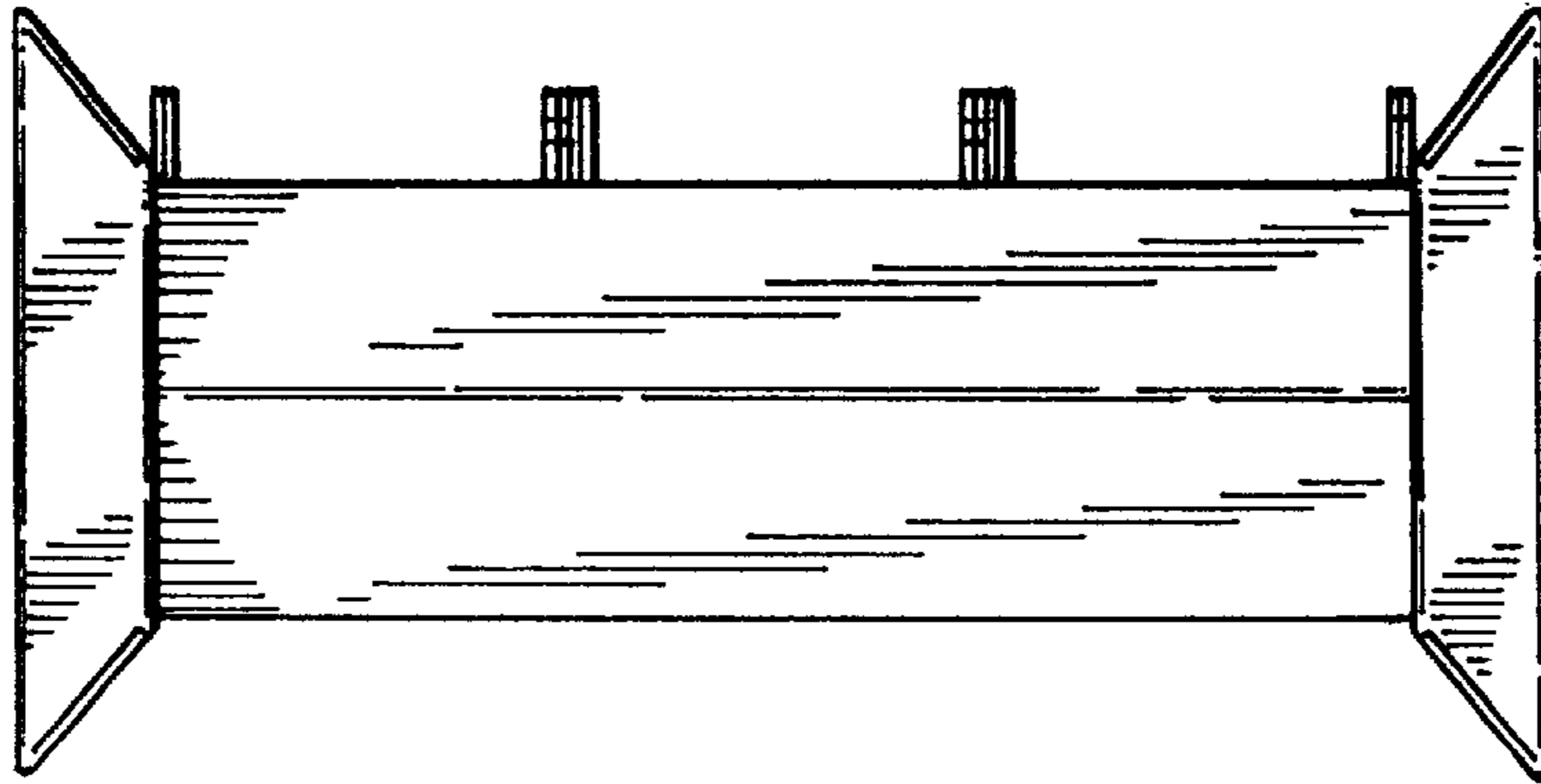


FIG. 3

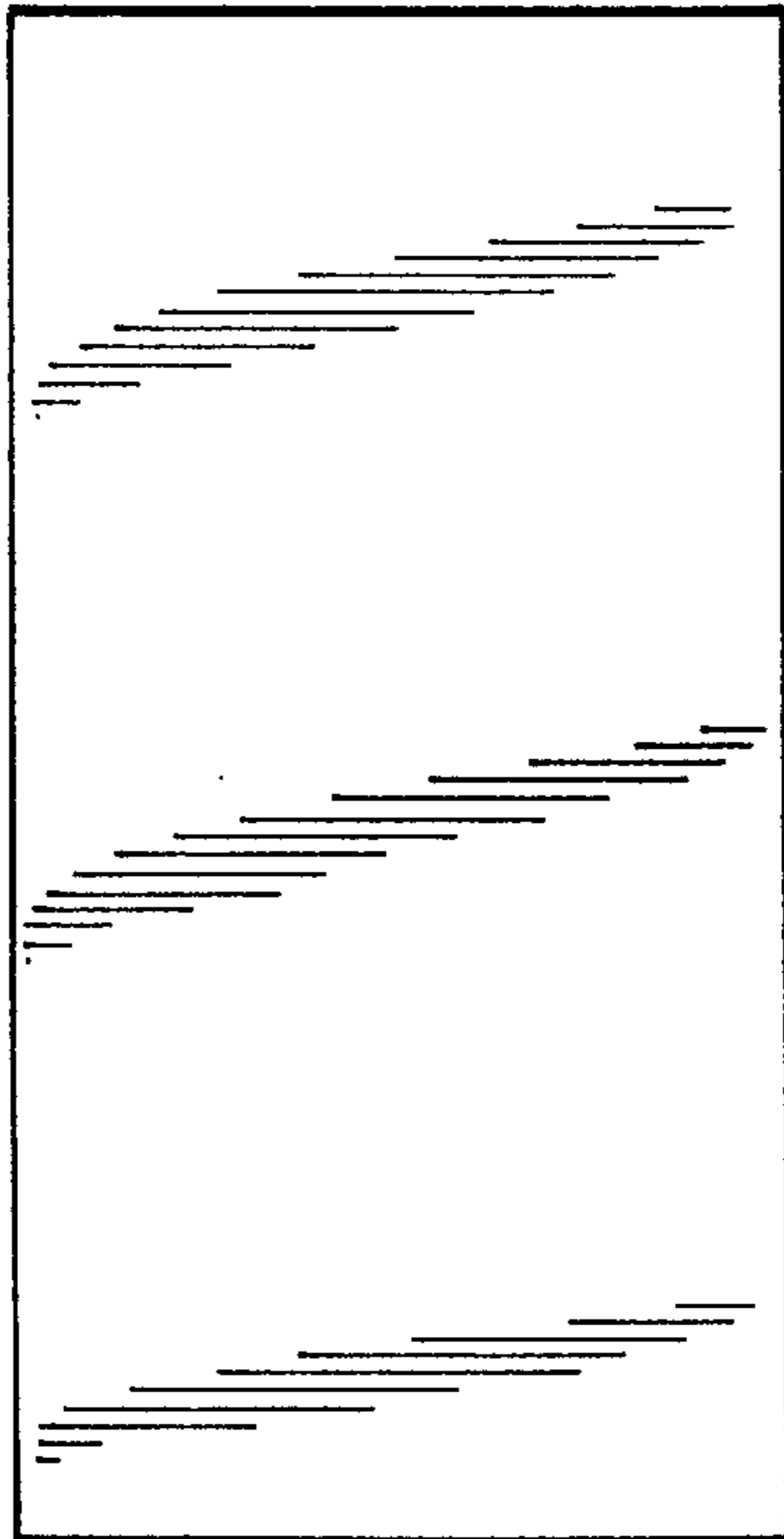


FIG. 2

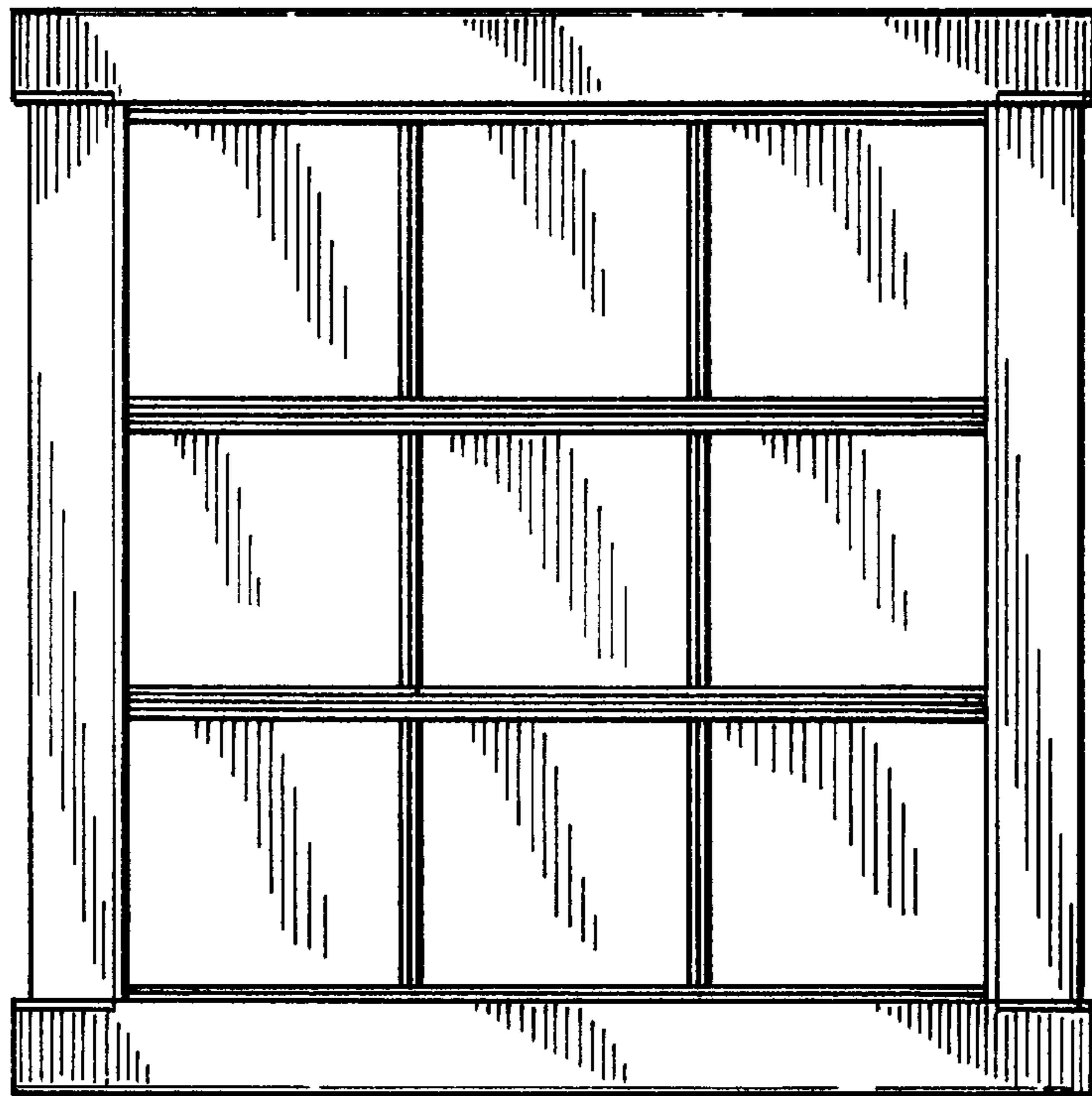


FIG. 5

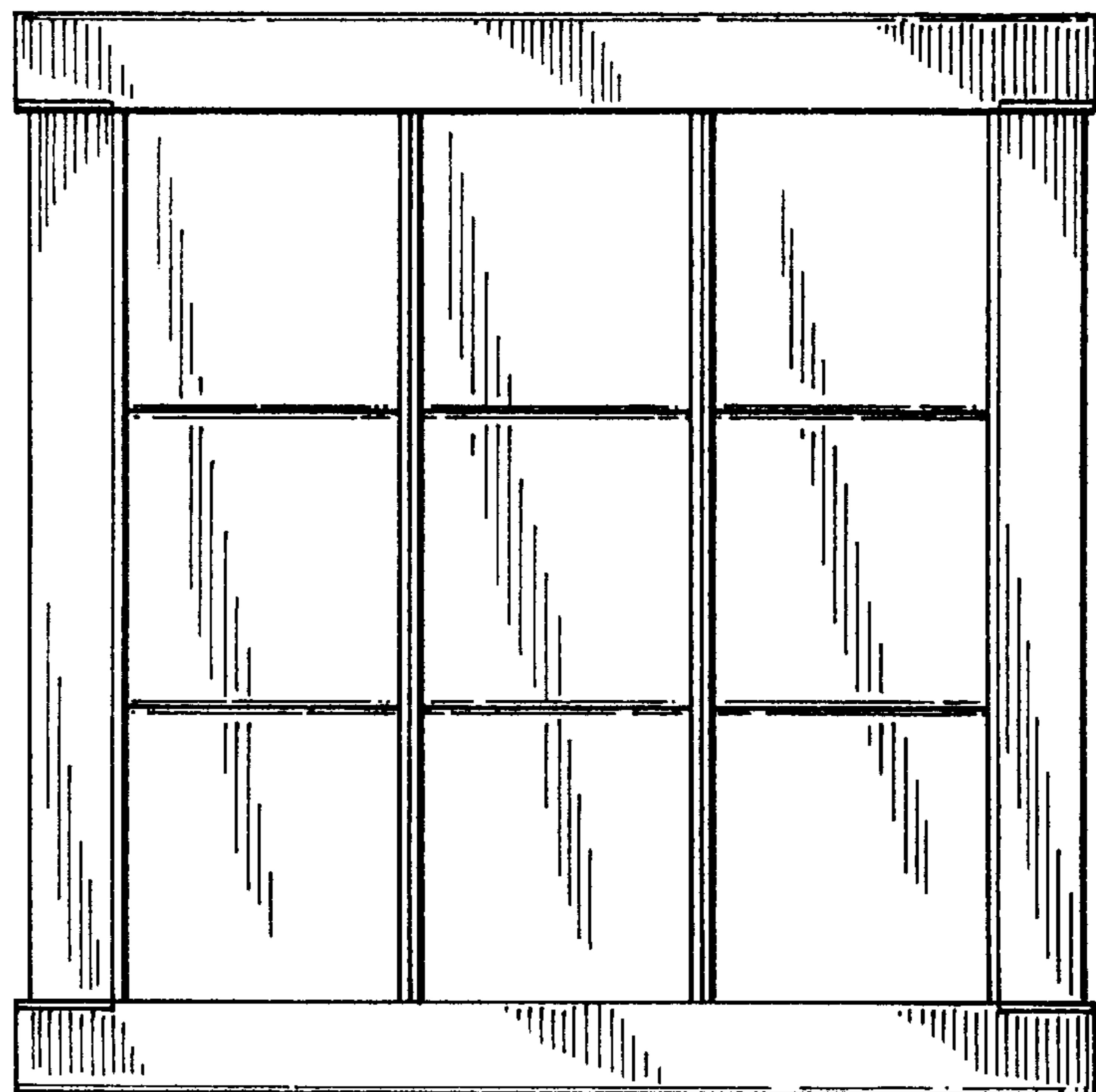


FIG. 6