



US00D399381S

United States Patent [19] Hoernig

[11] **Patent Number: Des. 399,381**

[45] **Date of Patent: **Oct. 13, 1998**

[54] **STORAGE BASKET**

[75] Inventor: **Victor Hoernig**, Lowell, Ind.

[73] Assignee: **Gusa, Inc.**, Fort Mill, S.C.

[**] Term: **14 Years**

[21] Appl. No.: **64,008**

[22] Filed: **Dec. 20, 1996**

[51] **LOC (6) Cl. 08-08**

[52] **U.S. Cl. D6/566**

[58] **Field of Search** D6/512, 513, 524,
D6/525, 566, 574; D3/304, 306; 220/476,
485; 211/13.1, 71.01, 74, 75, 85.23, 86.01,
87.01, 88.01, 90.01, 126.1, 126.9, 134,
181.1

[56] **References Cited**

U.S. PATENT DOCUMENTS

D. 362,780	10/1995	Hampshire	D6/566
D. 364,297	11/1995	Daniel	D6/525
D. 373,039	8/1996	Cohen et al.	D6/566
D. 379,891	6/1997	Hampshire	D6/525

D. 384,847 10/1997 Von Buelow et al. D6/524

Primary Examiner—Brian N. Vinson
Attorney, Agent, or Firm—Leonard J. Santisi

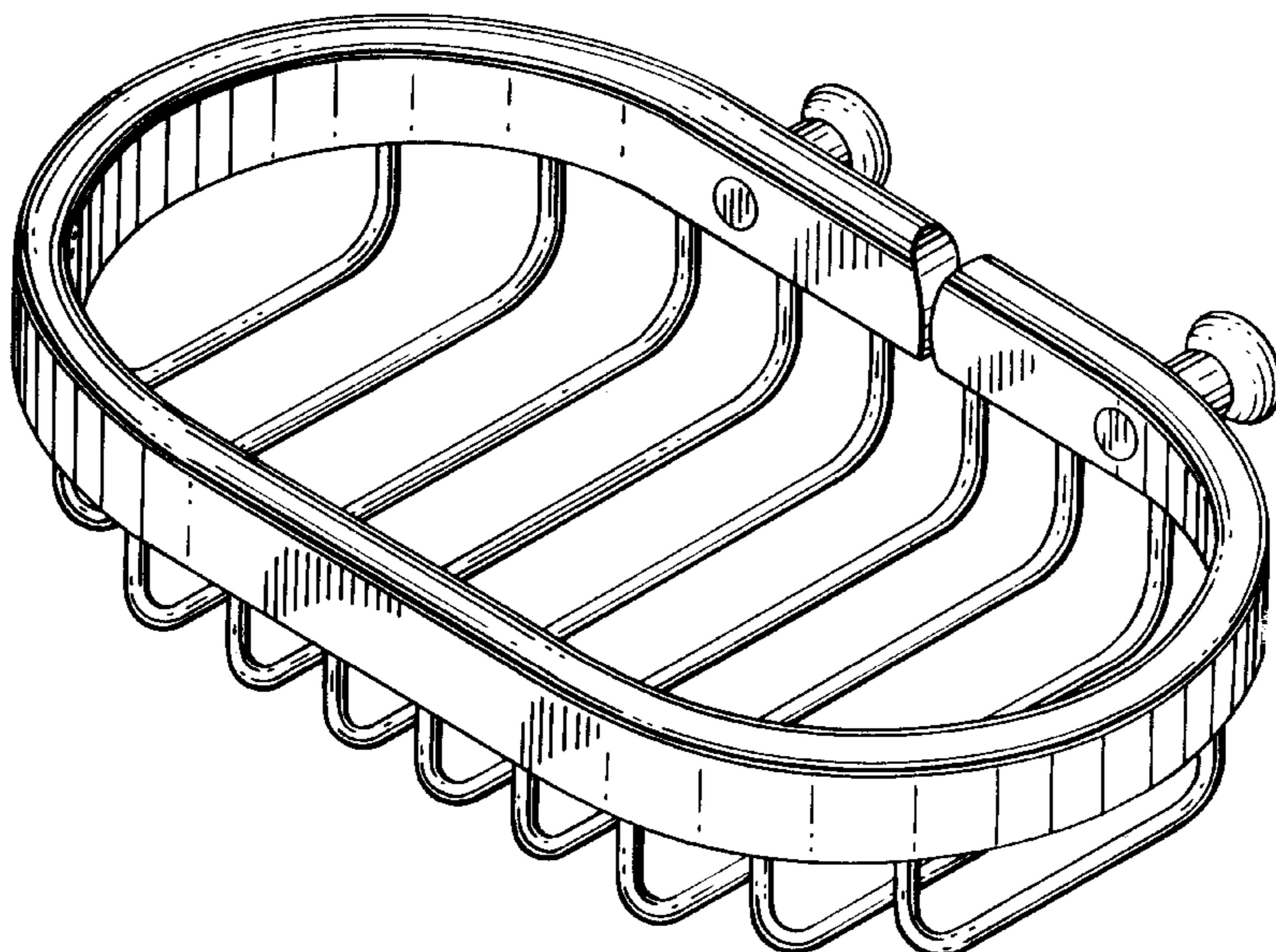
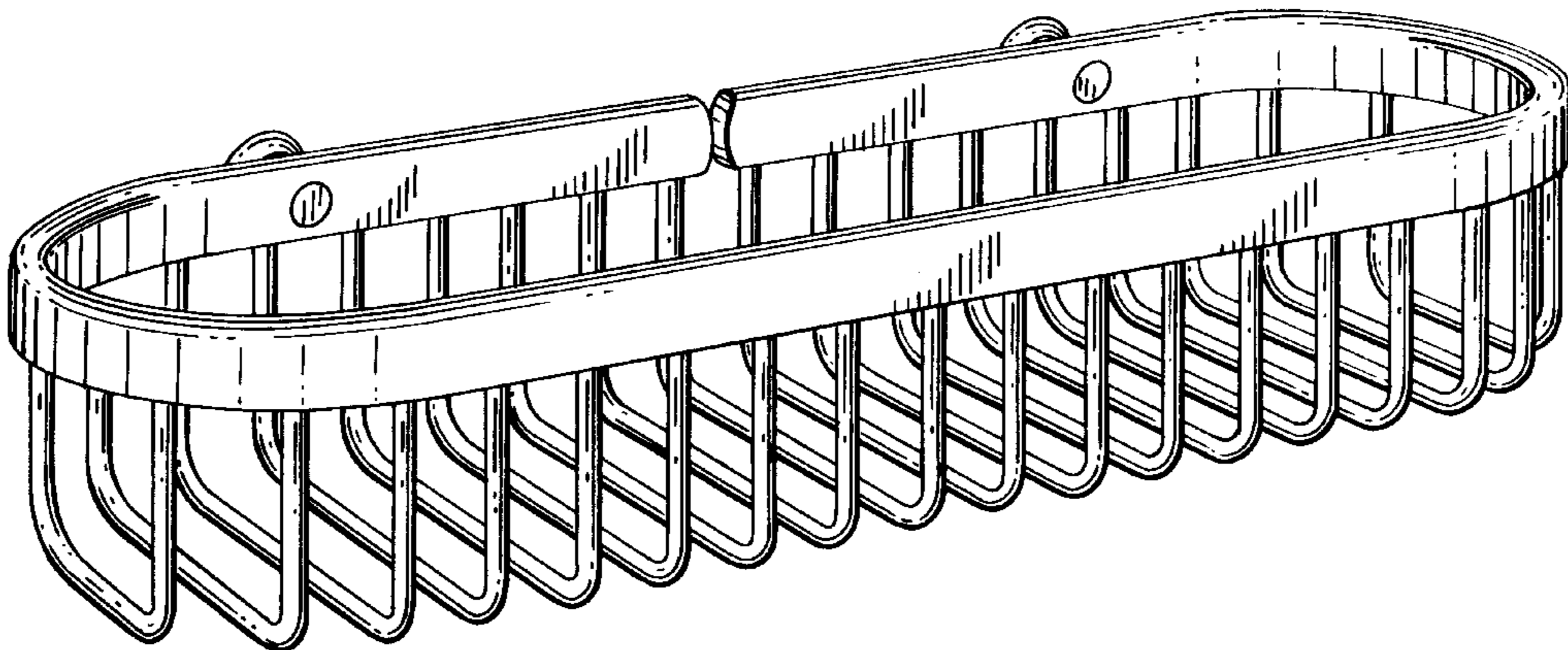
[57] **CLAIM**

The ornamental design for a storage basket, as shown and described.

DESCRIPTION

FIG. 1 is a front perspective view of a storage basket showing my new design;
 FIG. 2 is an end elevational view thereof;
 FIG. 3 is a top plan view thereof;
 FIG. 4 is a front elevational view thereof;
 FIG. 5 is a rear elevational view thereof;
 FIG. 6 is a bottom plan view thereof;
 FIG. 7 is a front perspective view of a second embodiment of a storage basket showing my new design;
 FIG. 8 is a side elevational view thereof;
 FIG. 9 is a top plan view thereof;
 FIG. 10 is a front elevational view thereof;
 FIG. 11 is a rear elevational view thereof; and,
 FIG. 12 is a bottom plan view thereof.

1 Claim, 6 Drawing Sheets



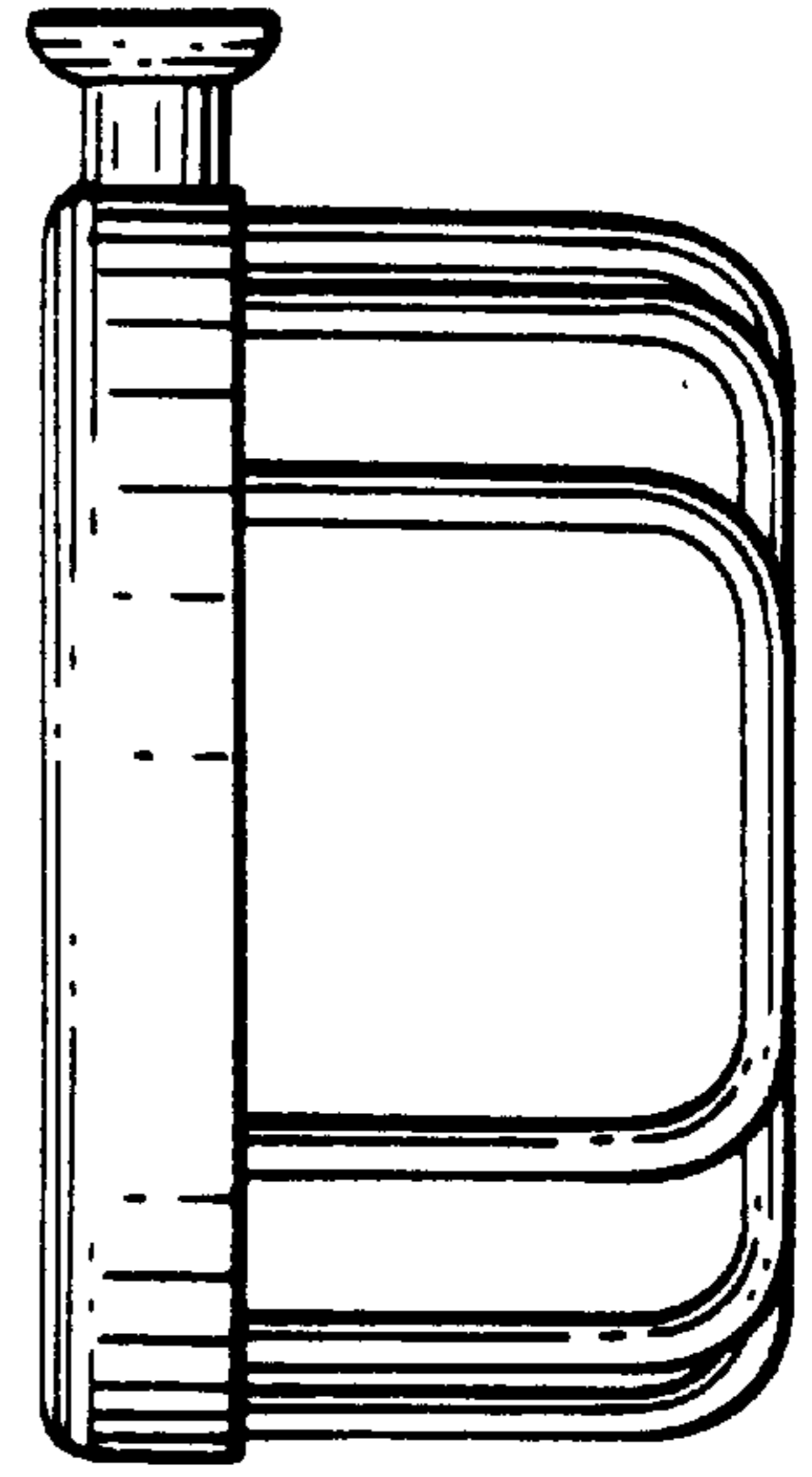
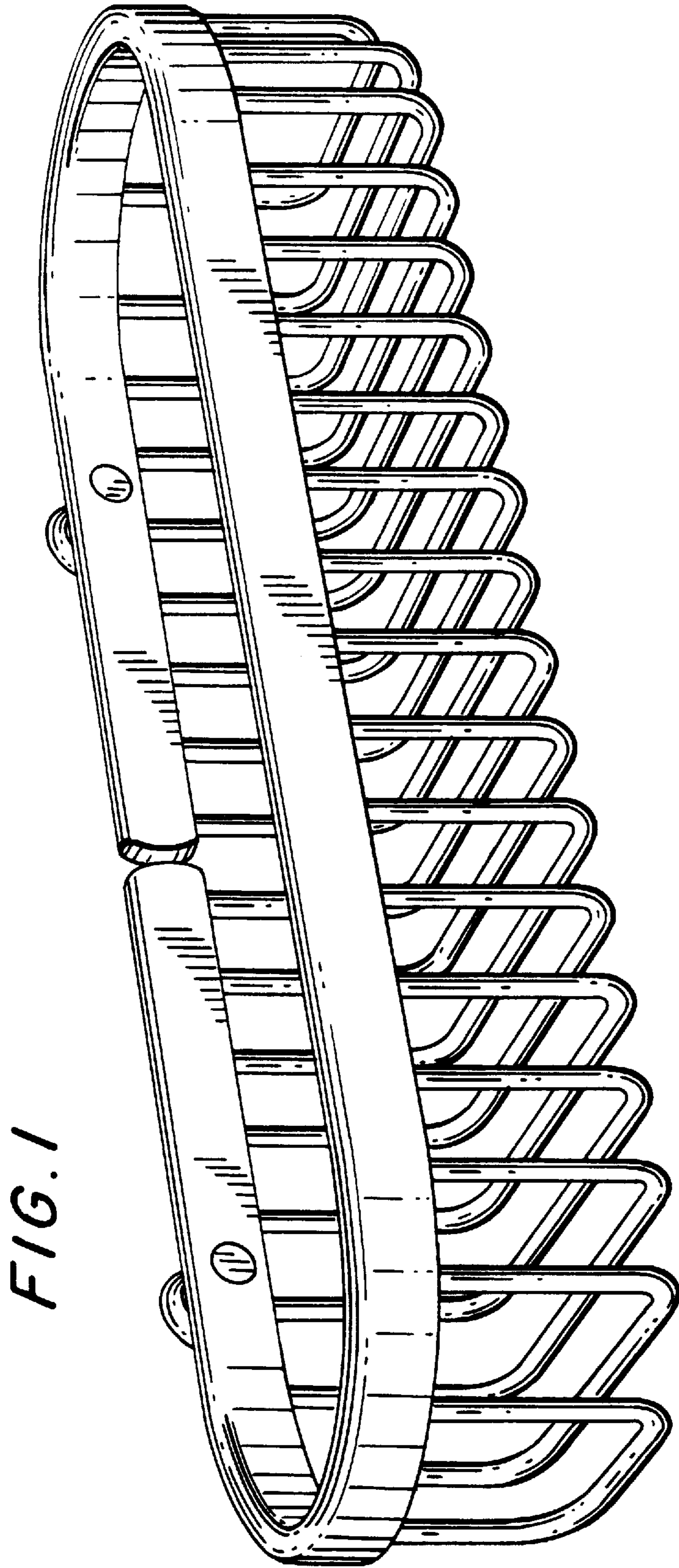


FIG. 2

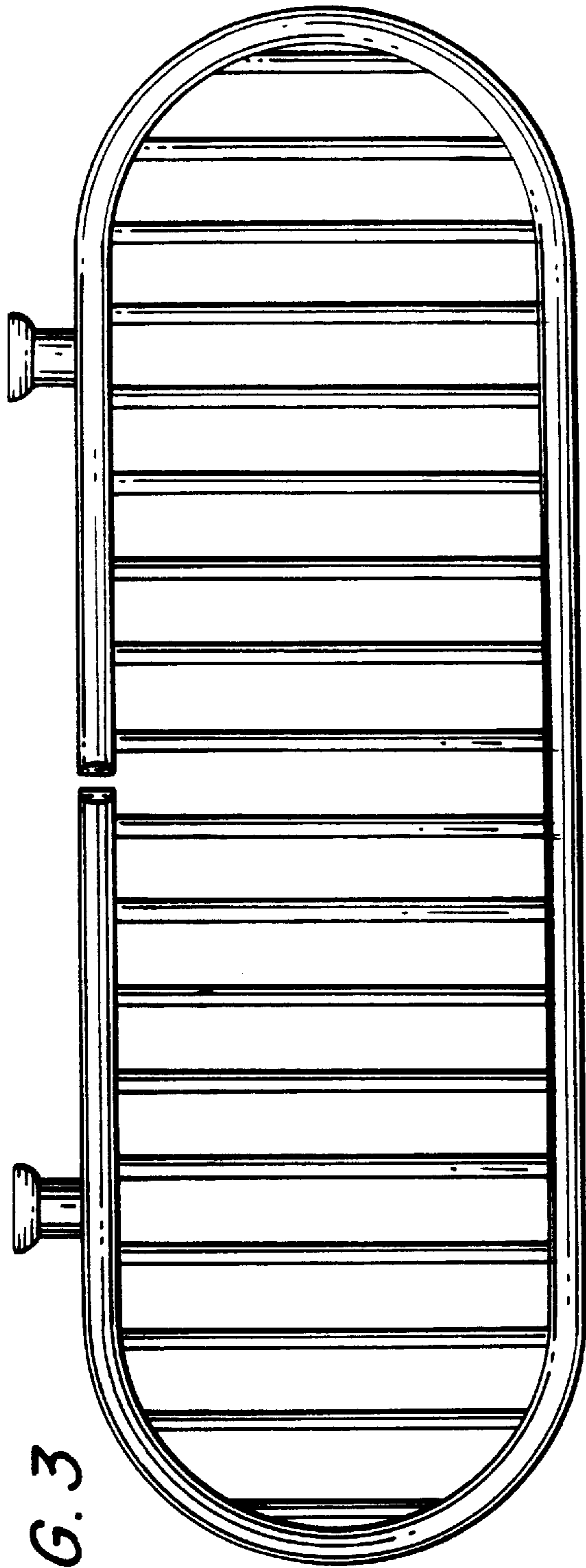


FIG. 3

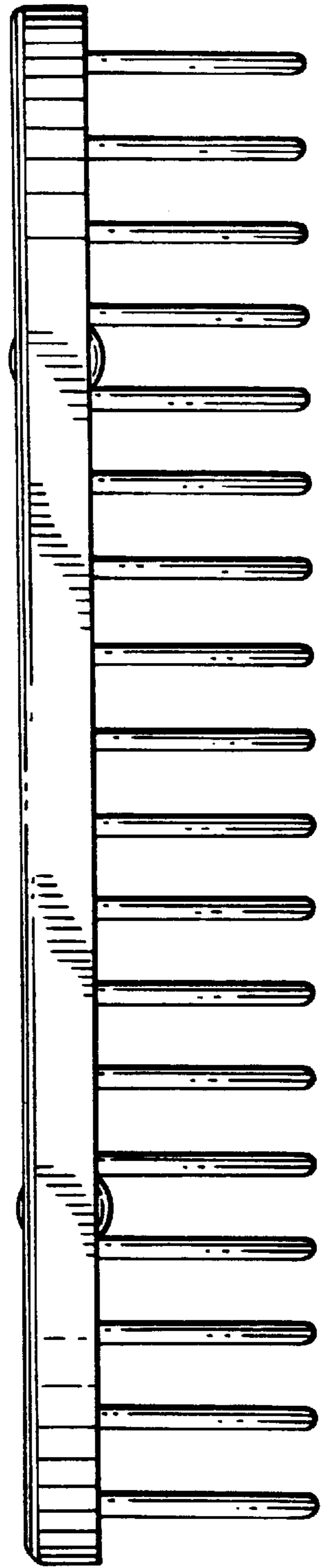


FIG. 4

FIG. 5

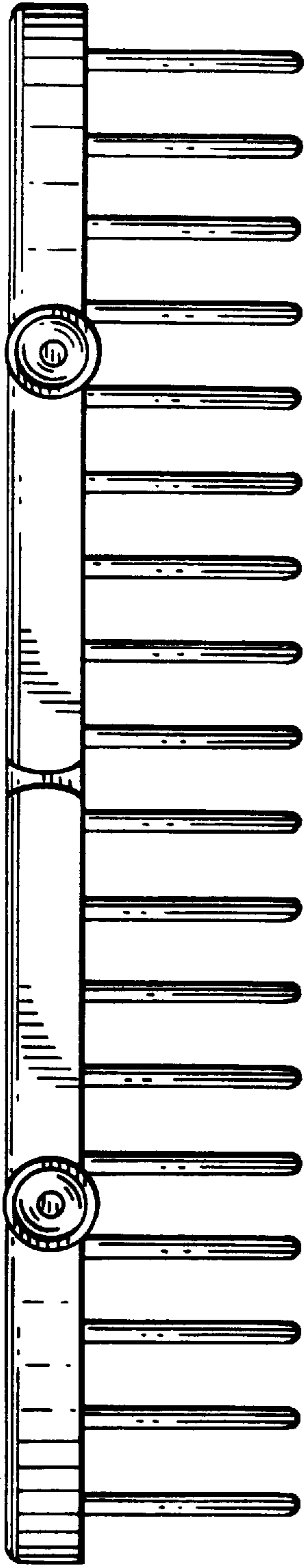
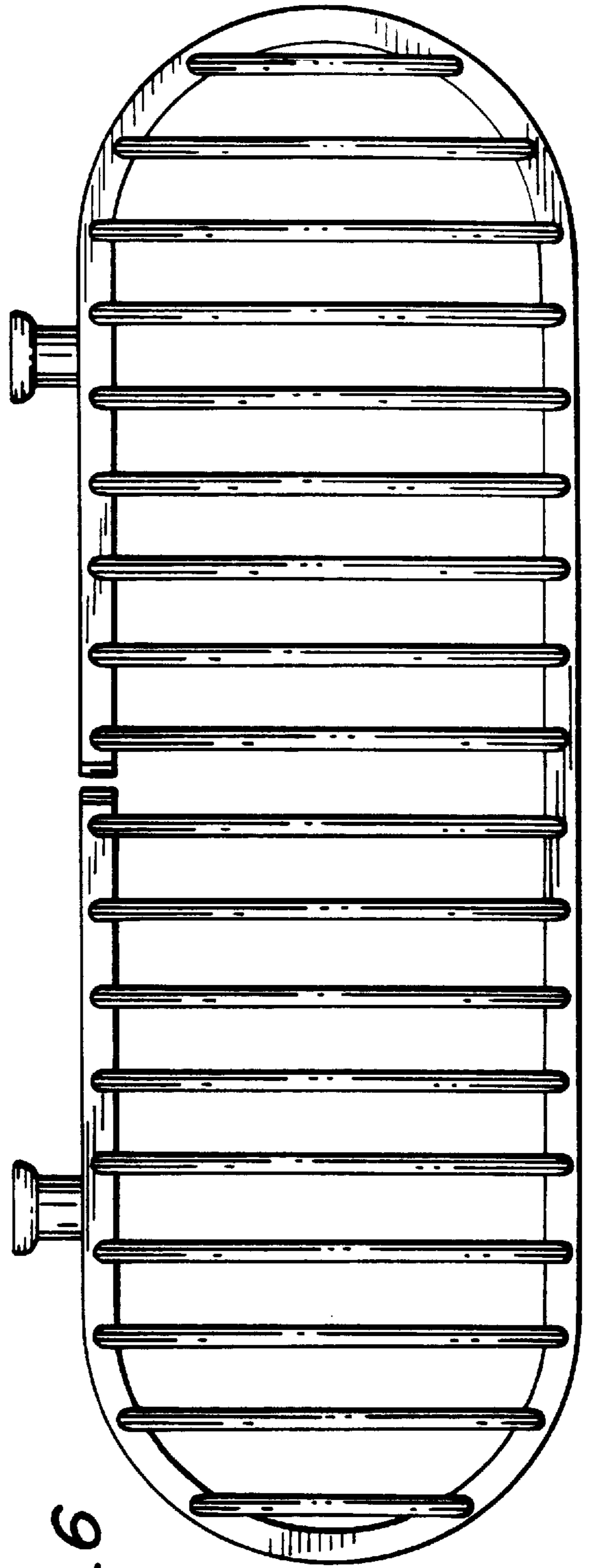


FIG. 6



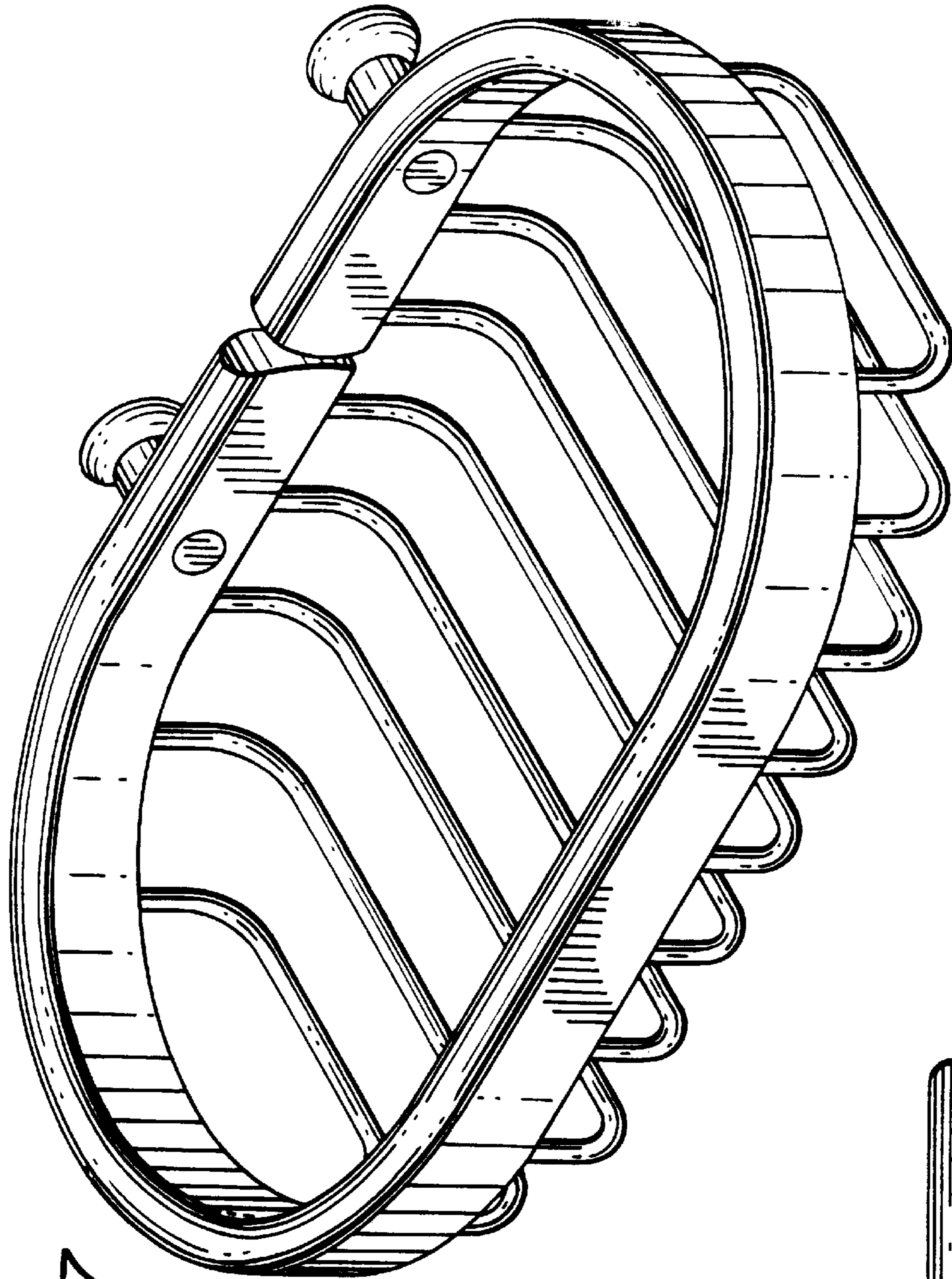


FIG. 7

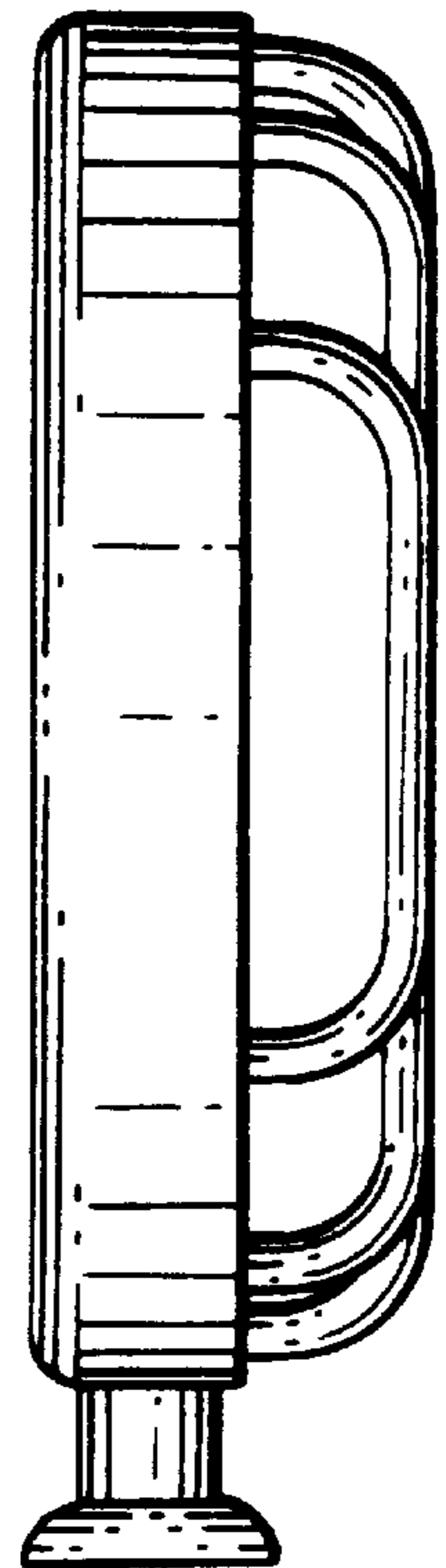


FIG. 8

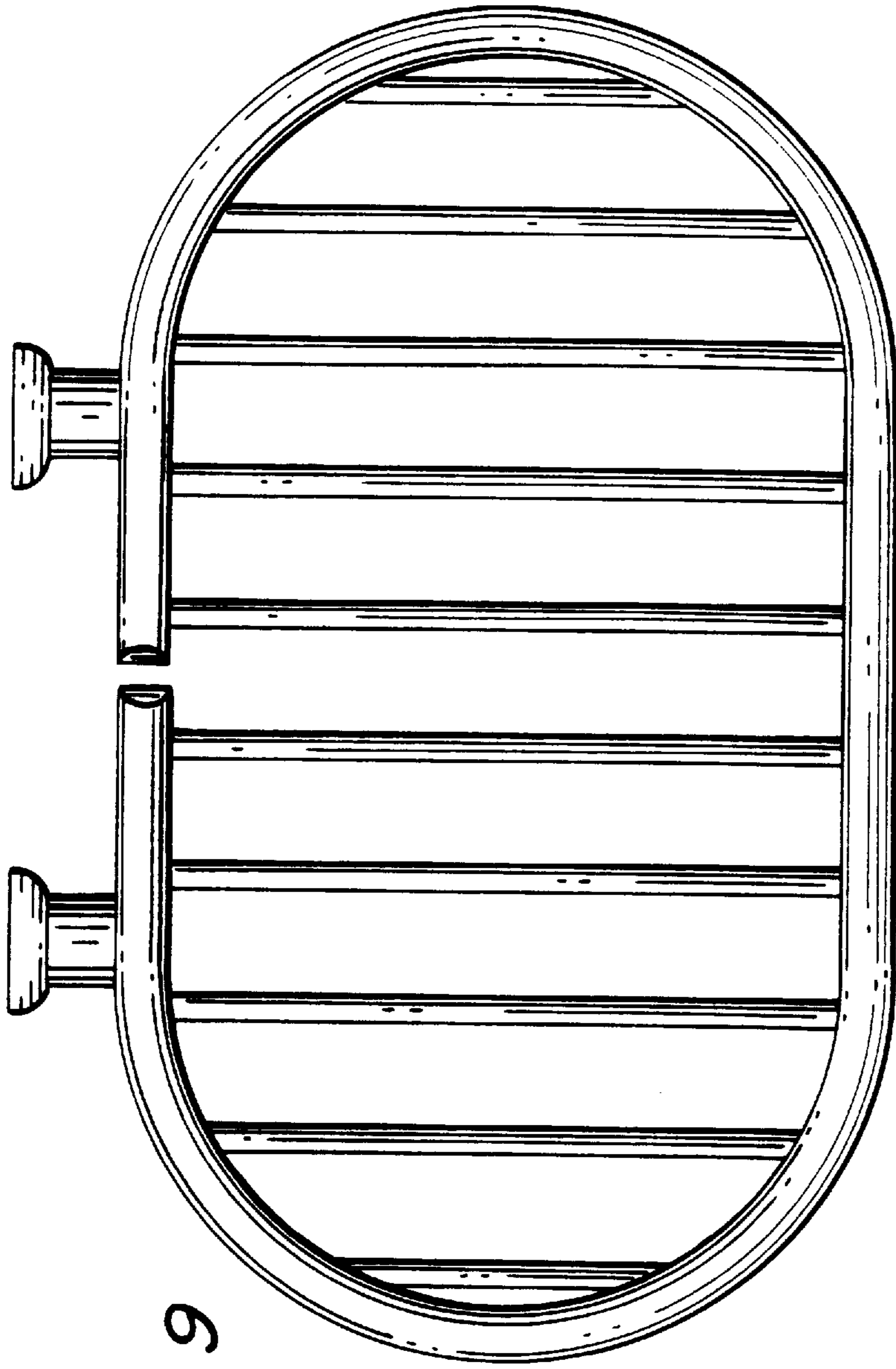


FIG. 9

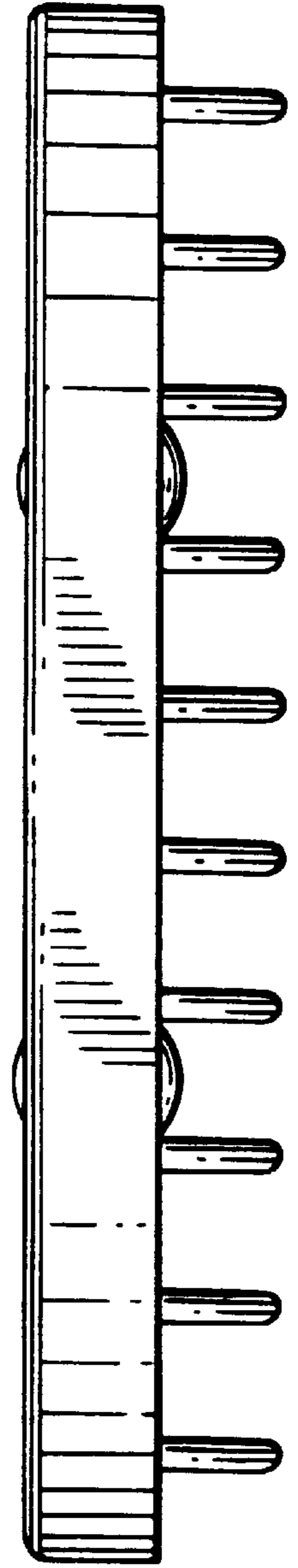


FIG. 10

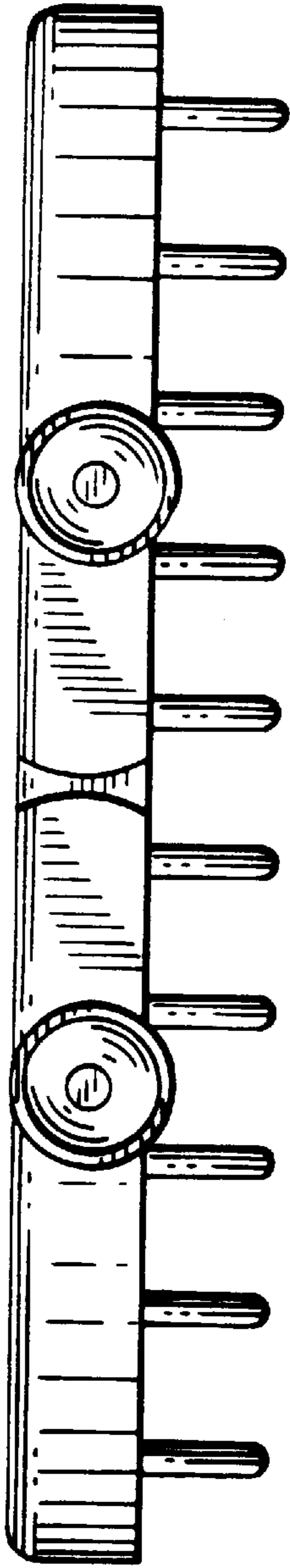


FIG. 11

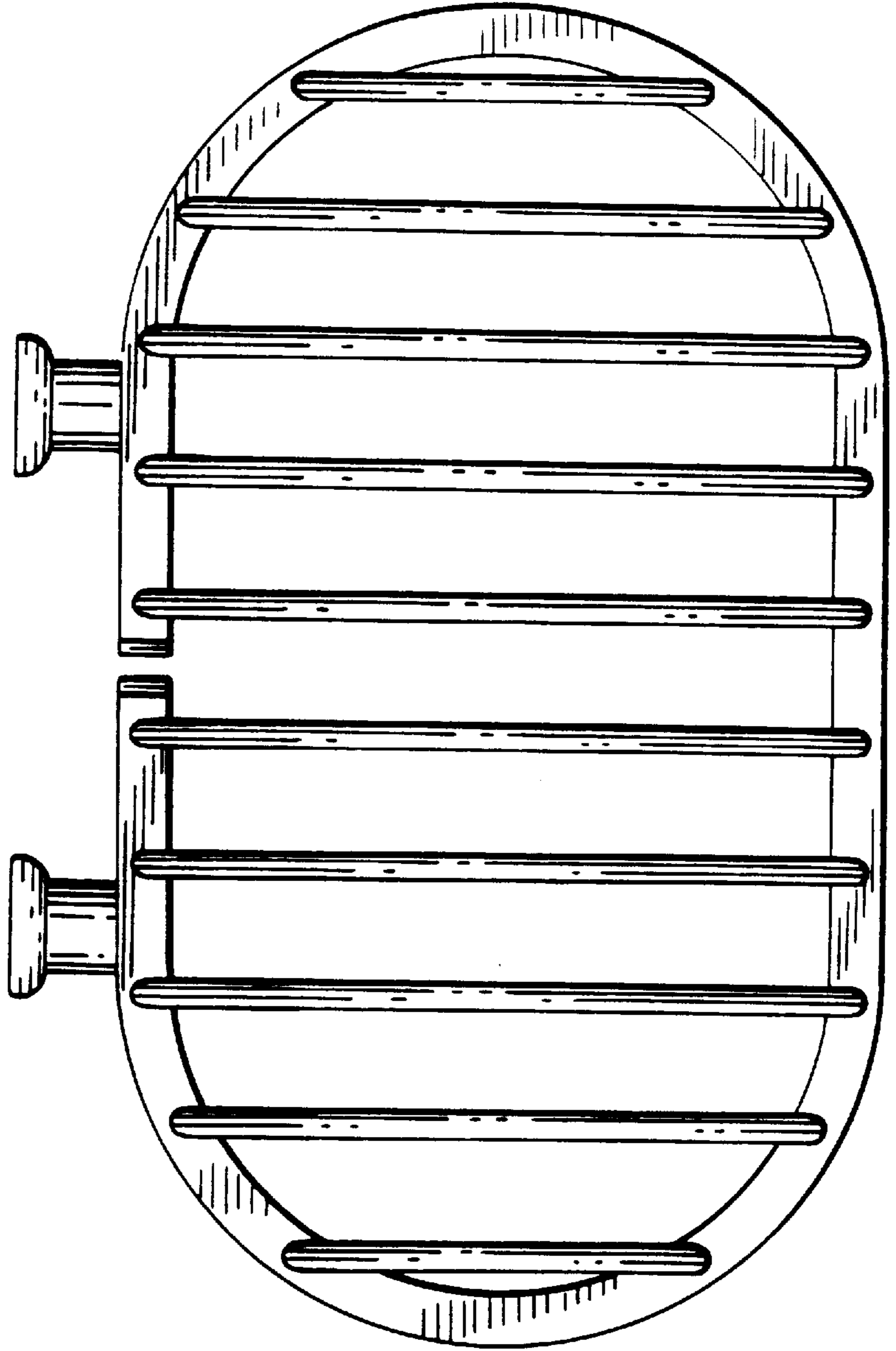


FIG. 12