



US00D399380S

United States Patent [19]
Kyle

[11] **Patent Number: Des. 399,380**

[45] **Date of Patent: **Oct. 13, 1998**

[54] **CHRISTMAS TREE SHELF**

[76] Inventor: **Jeffrey D. Kyle**, 2018 Balsam Way,
Round Rock, Tex. 78664

[**] Term: **14 Years**

[21] Appl. No.: **60,691**

[22] Filed: **Oct. 4, 1996**

[51] **LOC (6) Cl. 06-04**

[52] **U.S. Cl. D6/562**

[58] **Field of Search** D6/512, 553, 555,
D6/562, 567, 574; 248/250; 211/86-88,
90, 126, 134, 153; 108/149, 151-152, 92

[56] **References Cited**

U.S. PATENT DOCUMENTS

D. 313,720	1/1991	Sorenson et al.	D6/562 X
786,013	3/1905	Domann	211/134 X
1,718,738	6/1929	Friedemann	211/153 X
2,522,442	9/1950	Garris	D6/562 X
2,657,811	11/1953	Isler	D6/562 X
2,828,044	3/1958	Reiss et al.	D6/562 X
3,906,872	9/1975	Erikson	D6/562 X

Primary Examiner—Pamela Burgess

Attorney, Agent, or Firm—Jim Zegeer, Esq.

[57] **CLAIM**

The ornamental design for a Christmas tree shelf, as shown and described.

DESCRIPTION

FIG. 1 is a top plan view of a Christmas tree shelf incorporating my design;
 FIG. 2 is a front elevational view thereof;
 FIG. 3 is a bottom plan view of a Christmas tree shelf incorporating my design;
 FIG. 4 is a rear elevational view thereof, with the wing nut apertures and bar removed for clarity of disclosure only;
 FIG. 5 is a side elevational view thereof, the opposite side being a mirror image;
 FIG. 6 is a bottom perspective view thereof;
 FIG. 7 is a front perspective view thereof, the broken lines shown are for illustrative purposes only and form no part of the claimed design; and,
 FIG. 8 is a right side perspective view thereof, the broken lines shown are for illustrative purposes only and form no part of the claimed design.
 It is understood that the wing nut apertures and connecting bar can have alternate positions.

1 Claim, 5 Drawing Sheets

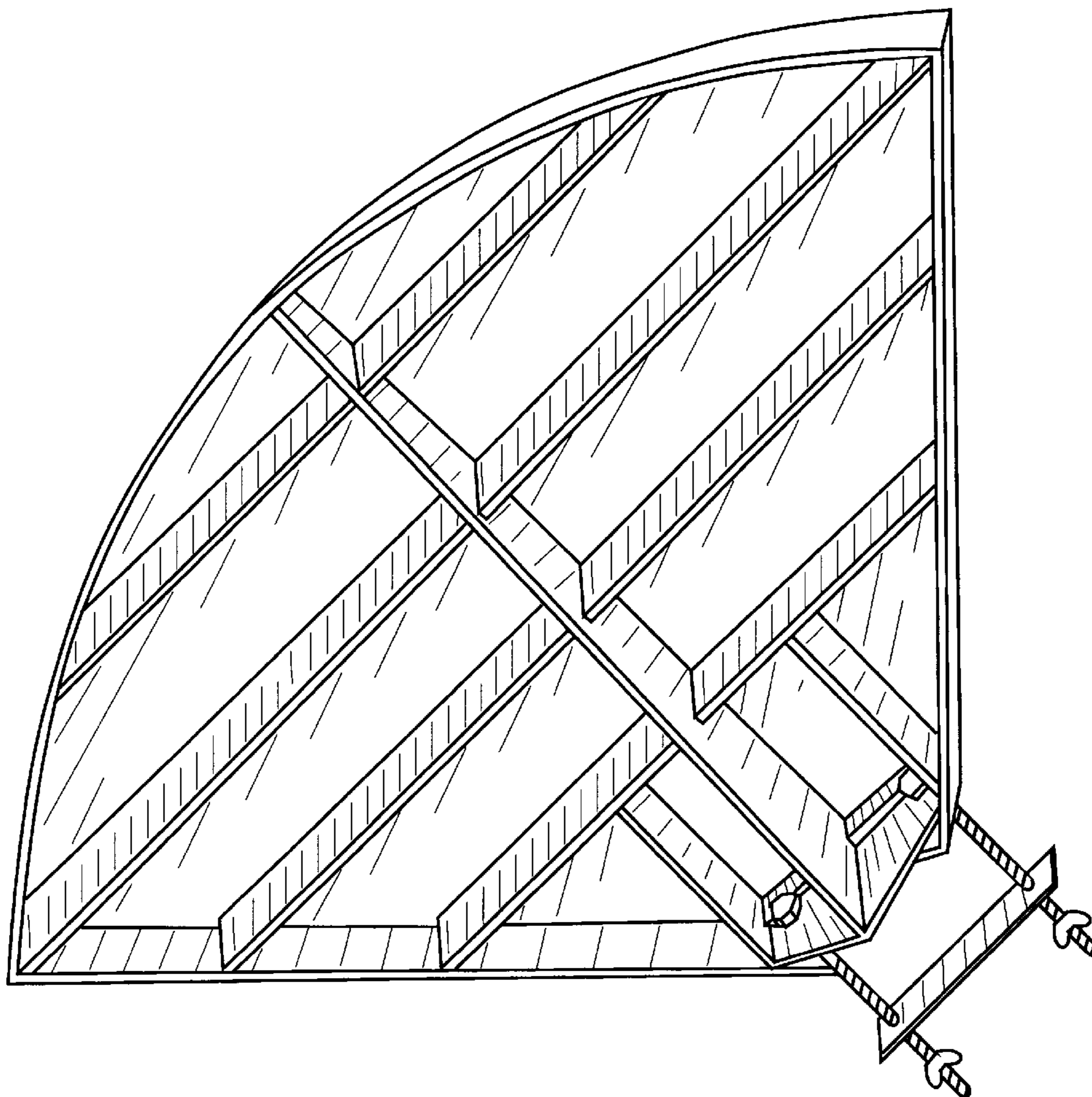


FIGURE 1

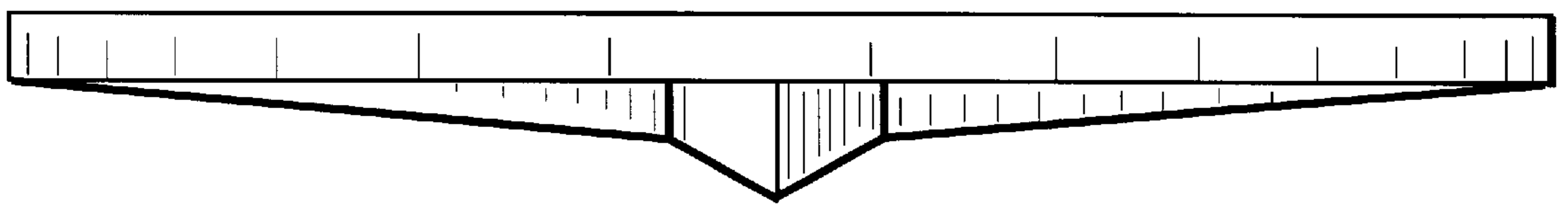
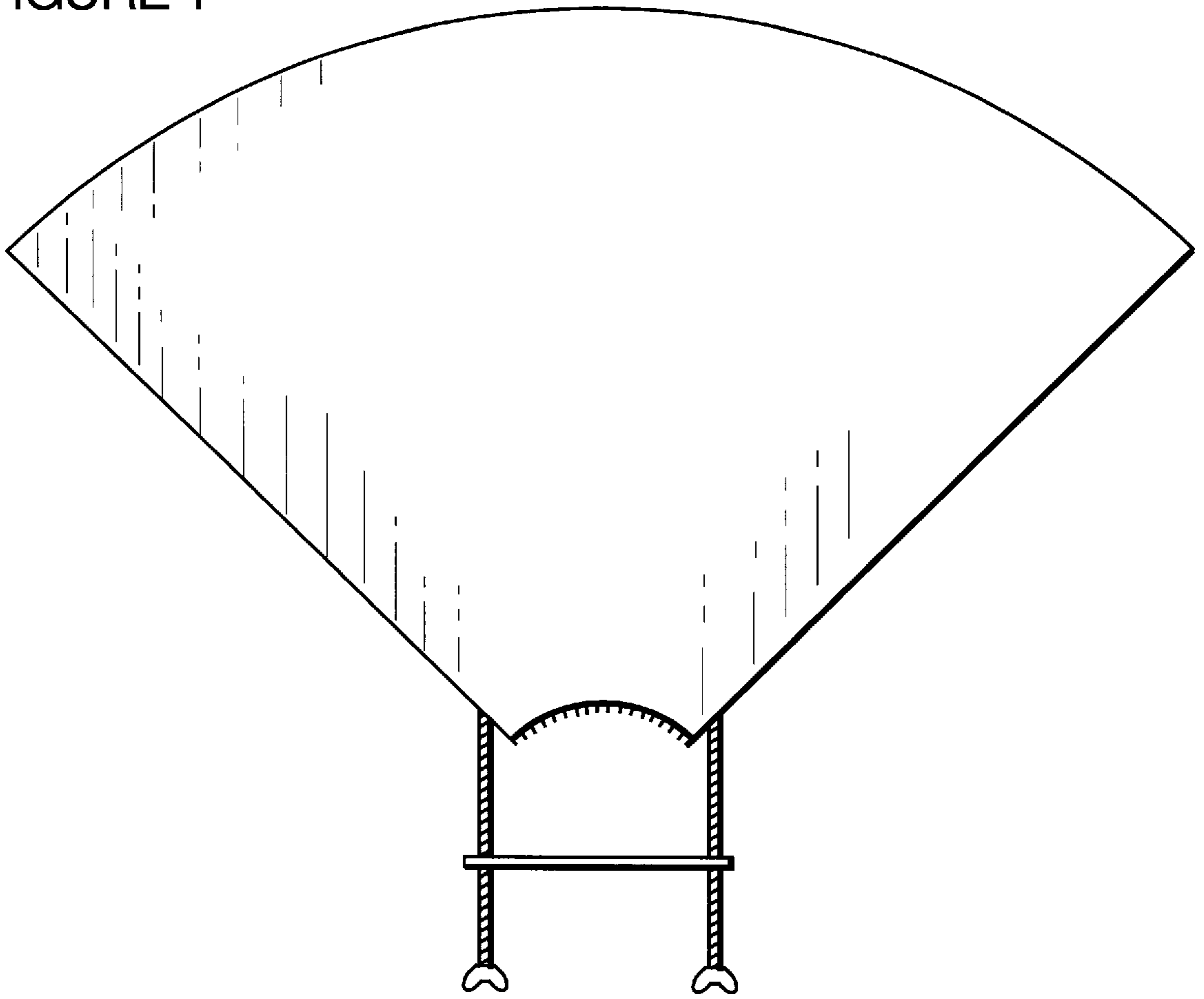
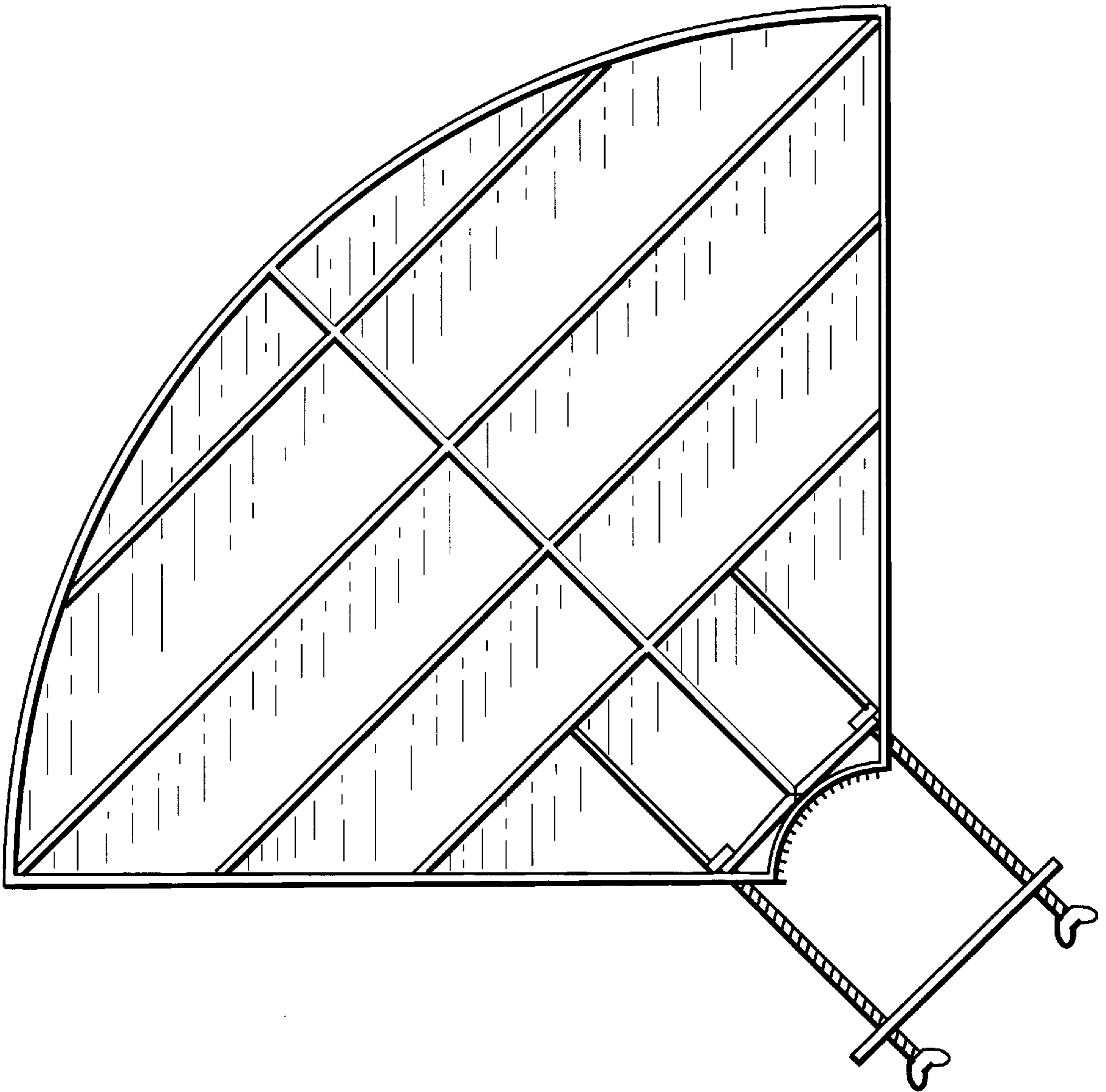


FIGURE 2

FIGURE 3



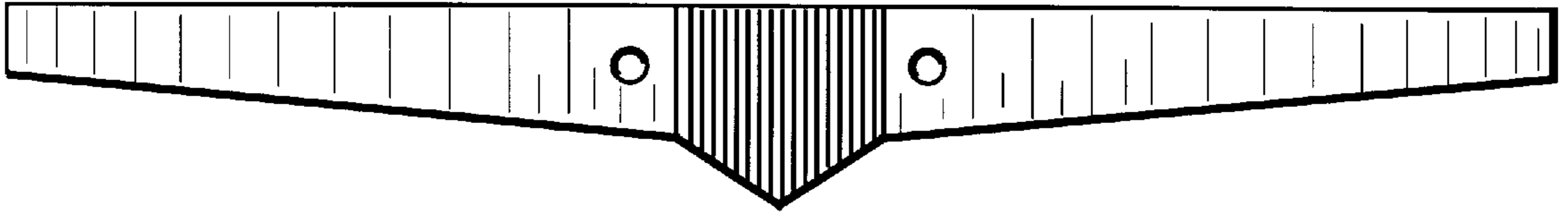


FIGURE 4

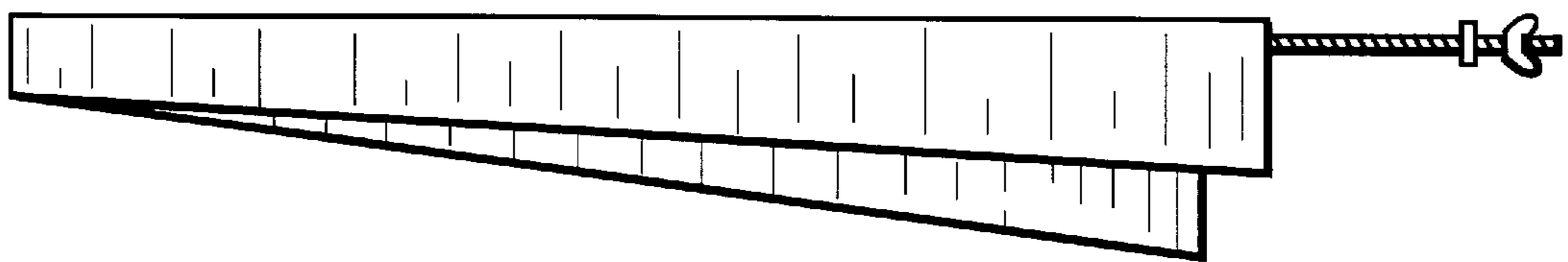


FIGURE 5

FIGURE 6

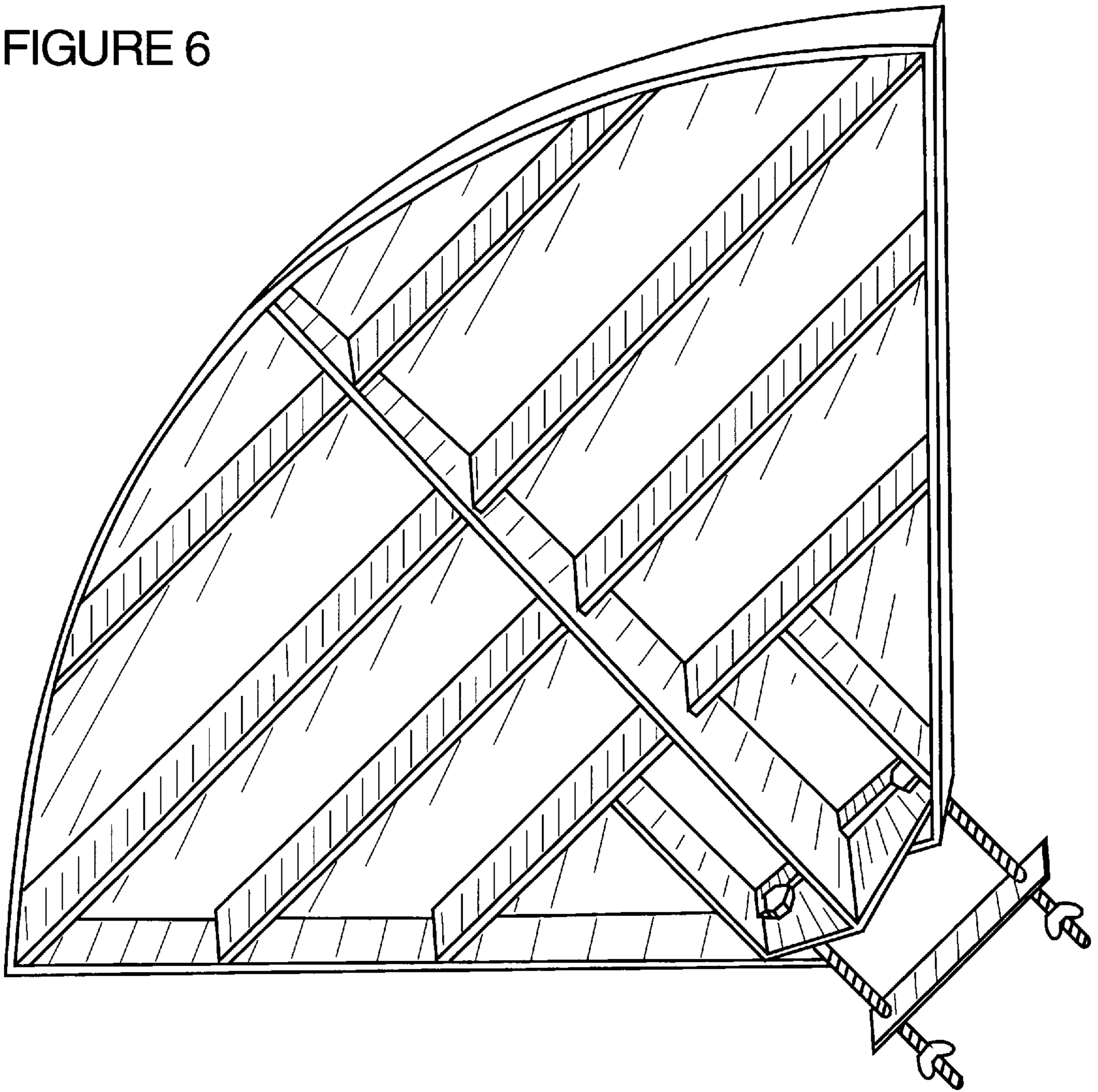


FIGURE 7

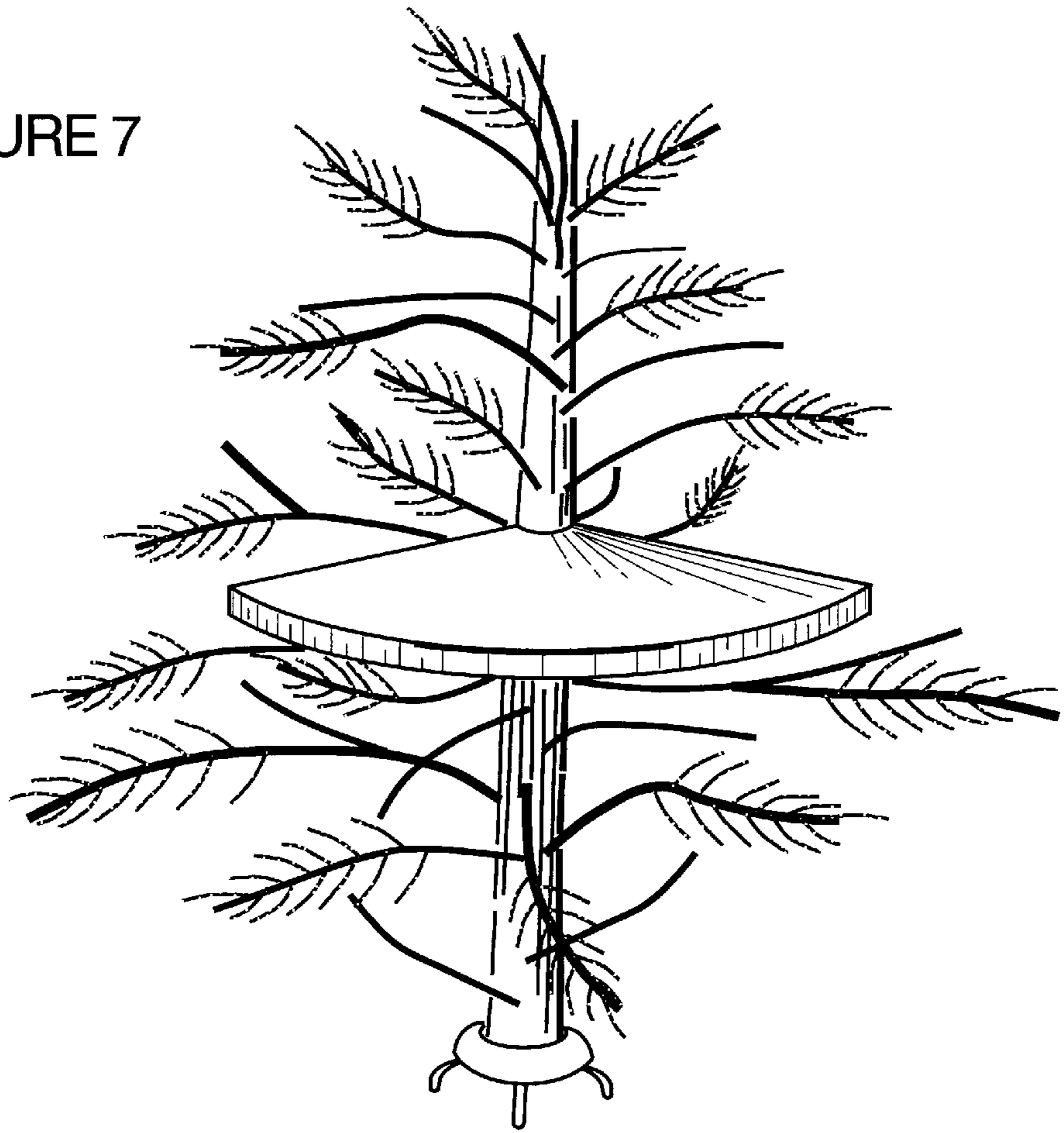


FIGURE 8

