



US00D399374S

United States Patent [19]
Schubert

[11] **Patent Number: Des. 399,374**

[45] **Date of Patent: **Oct. 13, 1998**

[54] **TABLE**

D. 166,048 2/1952 Rink D6/483
D. 380,911 7/1997 Good D6/480

[75] **Inventor: Frederick Karl Schubert, Morganton, N.C.**

Primary Examiner—Janice E. Seeger
Attorney, Agent, or Firm—Bell Seltzer Intellectual Property Group of Alston & Bird, LLP

[73] **Assignee: Drexel Heritage Furnishings Inc., Drexel, N.C.**

[**] **Term: 14 Years**

[57] **CLAIM**

The ornamental design for a table, as shown and described.

[21] **Appl. No.: 75,060**

DESCRIPTION

[22] **Filed: Aug. 12, 1997**

FIG. 1 is a perspective view of the table which illustrates the new design;

[51] **LOC (6) Cl. 06-03**

FIG. 2 is a top plan view of FIG. 1;

[52] **U.S. Cl. D6/480**

FIG. 3 is a front plan view of FIG. 1;

[58] **Field of Search** D6/480-489, 495-499,
D6/429, 423, 349; 108/153, 155, 156, 161;
248/188.1, 188.8

FIG. 4 is a left side plan view of FIG. 1;

FIG. 5 is a right side plan view of FIG. 1;

FIG. 6 is a bottom view of FIG. 1; and,

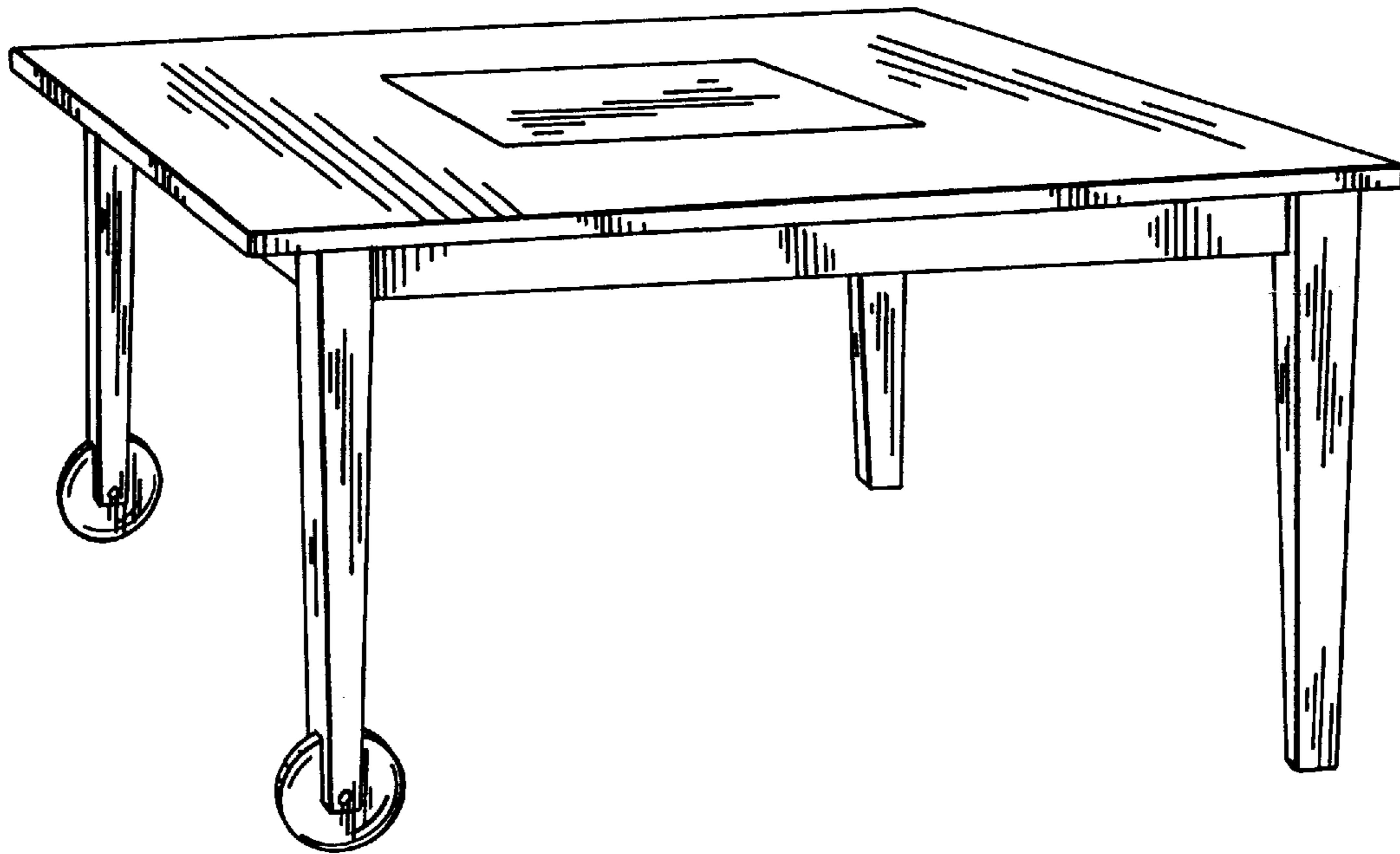
FIG. 7 is a rear view of FIG. 1.

[56] **References Cited**

U.S. PATENT DOCUMENTS

D. 160,107 9/1950 Moffitt D6/484

1 Claim, 3 Drawing Sheets



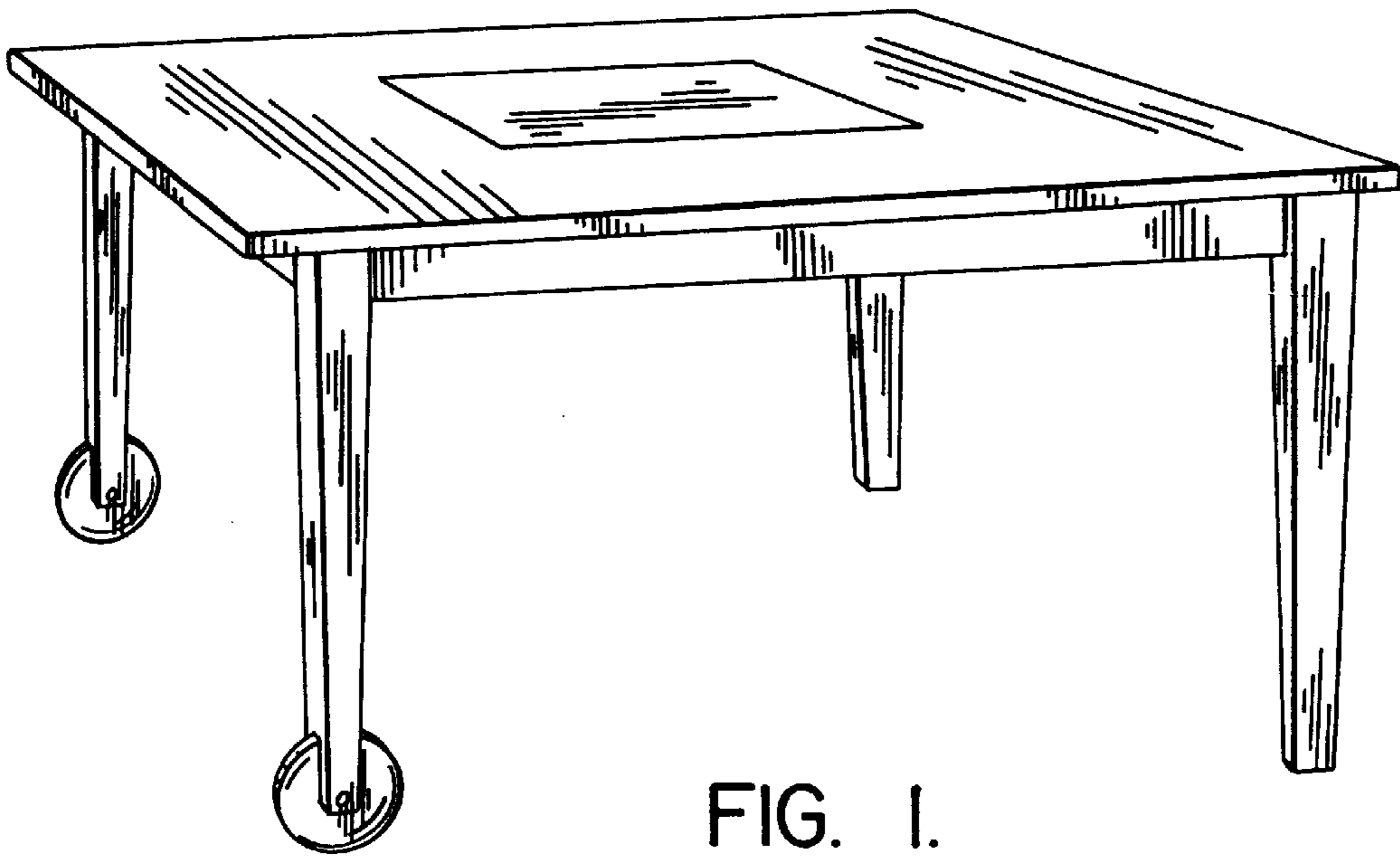


FIG. 1.

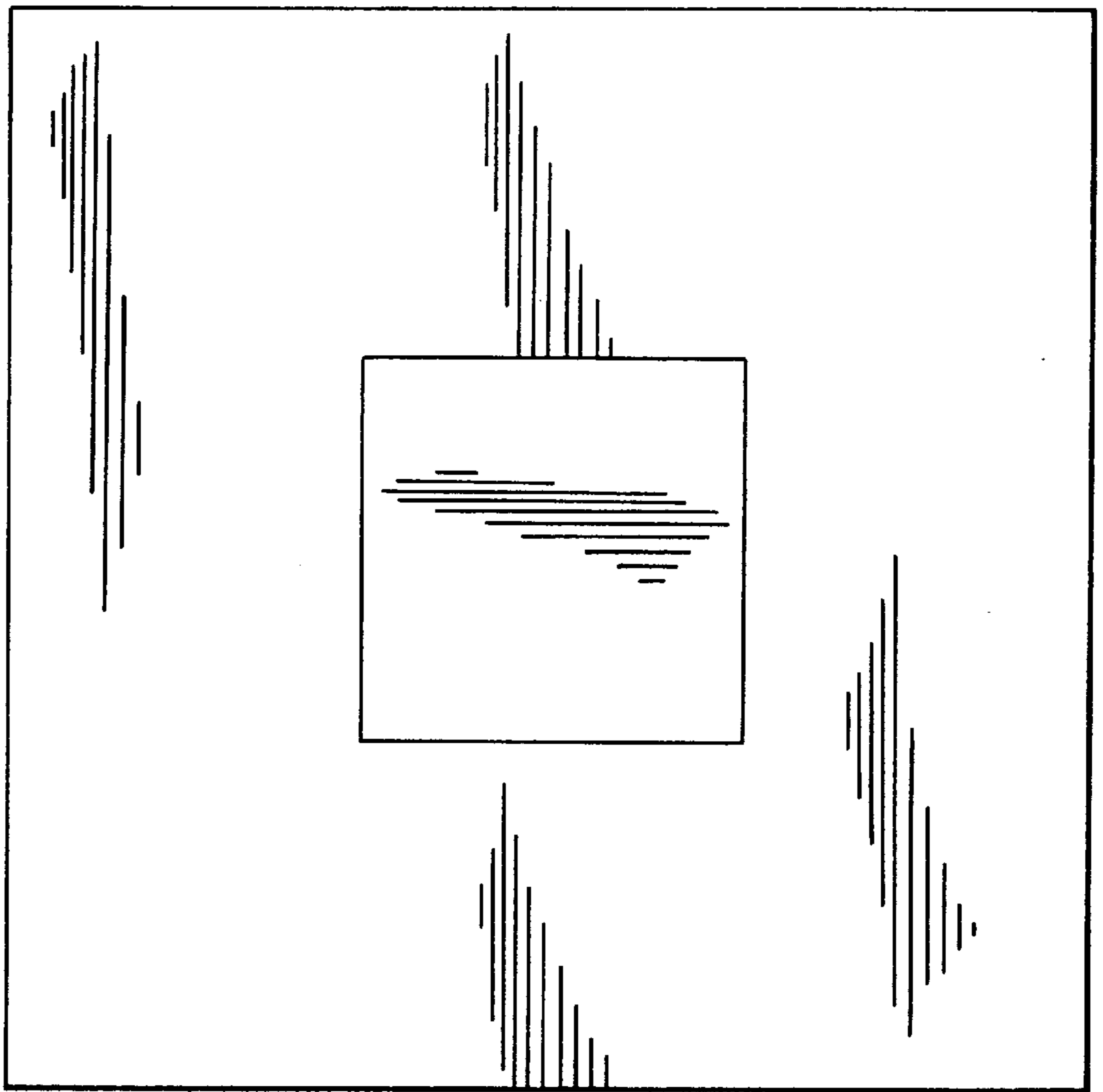


FIG. 2.

FIG. 3.

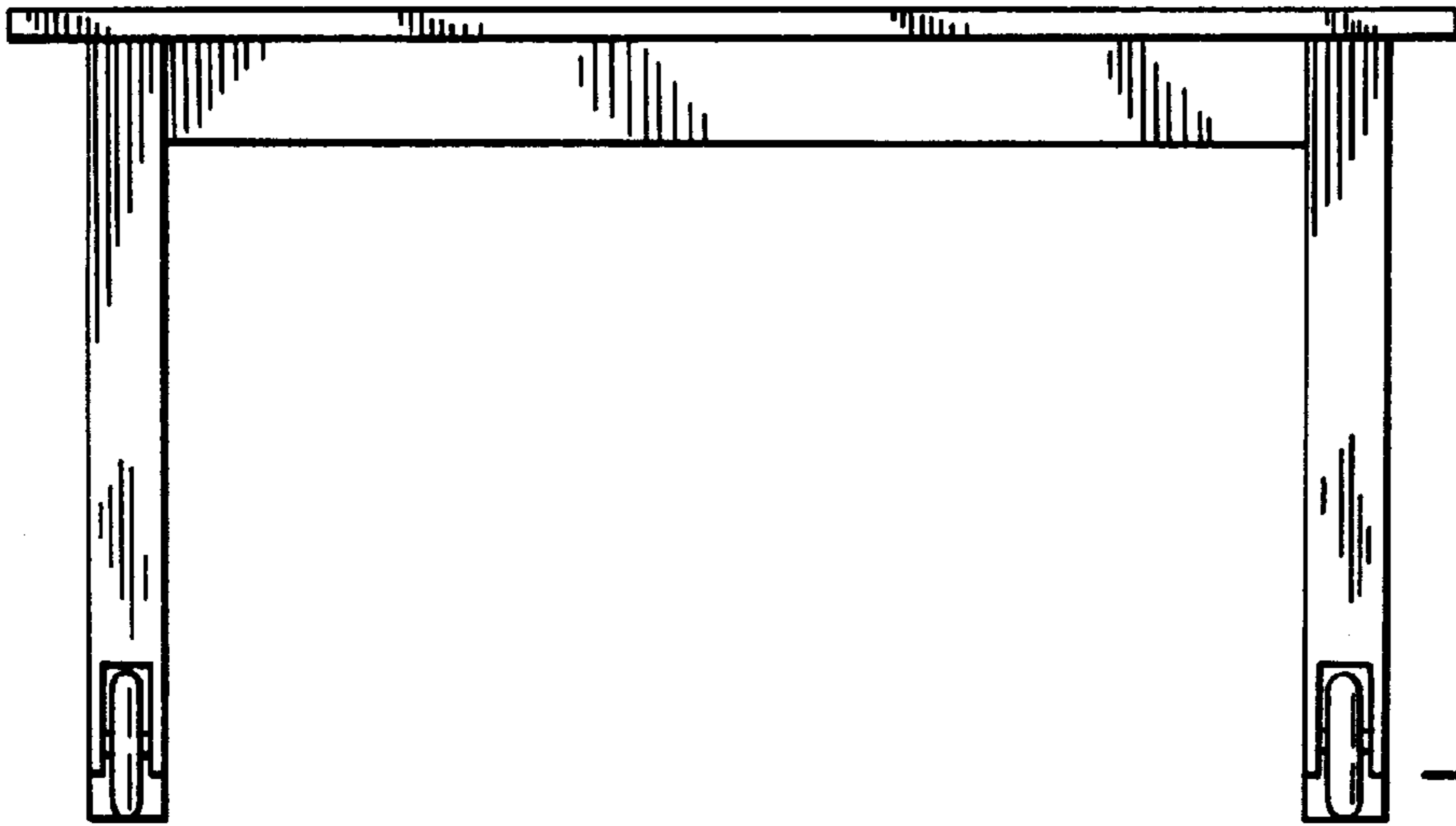
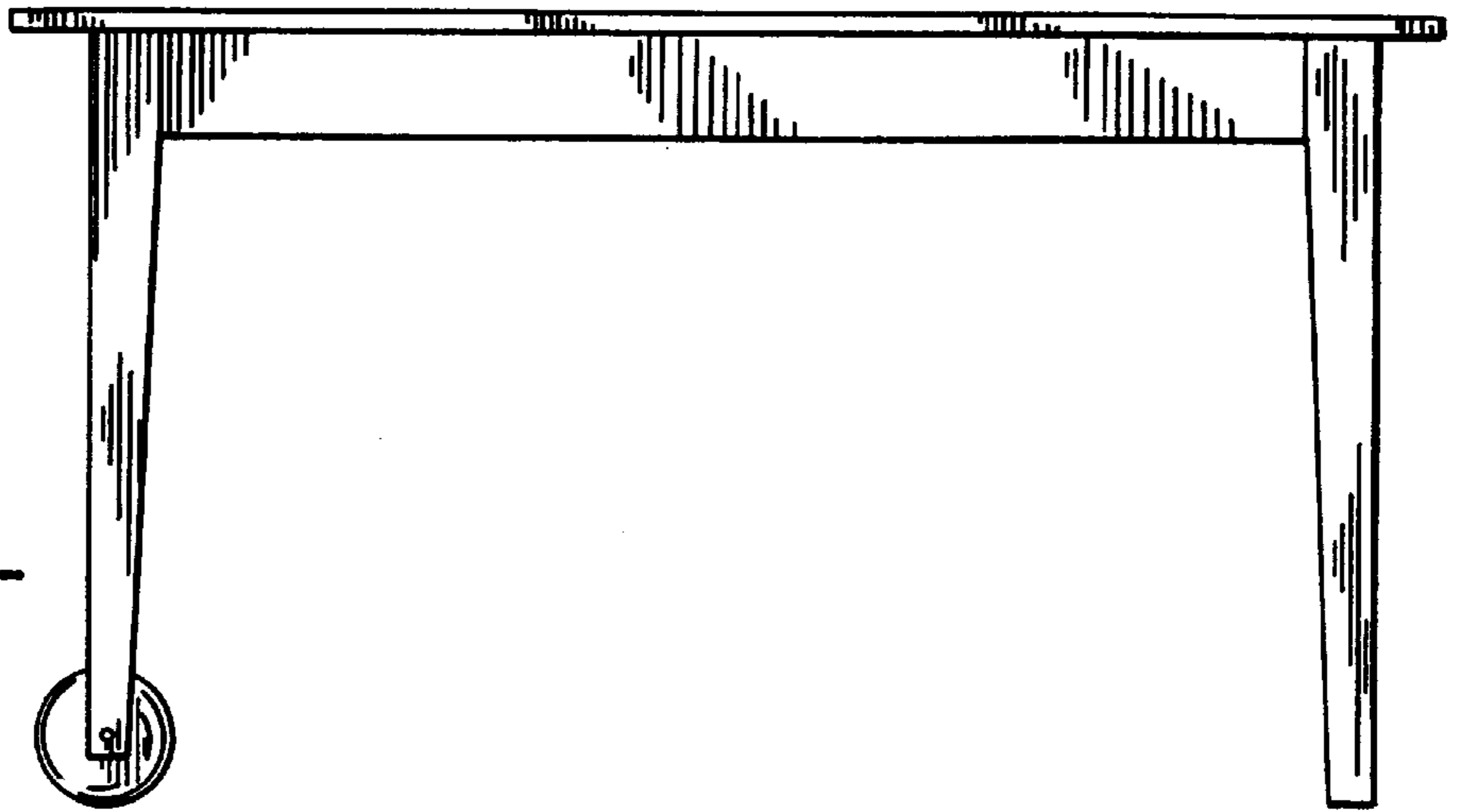
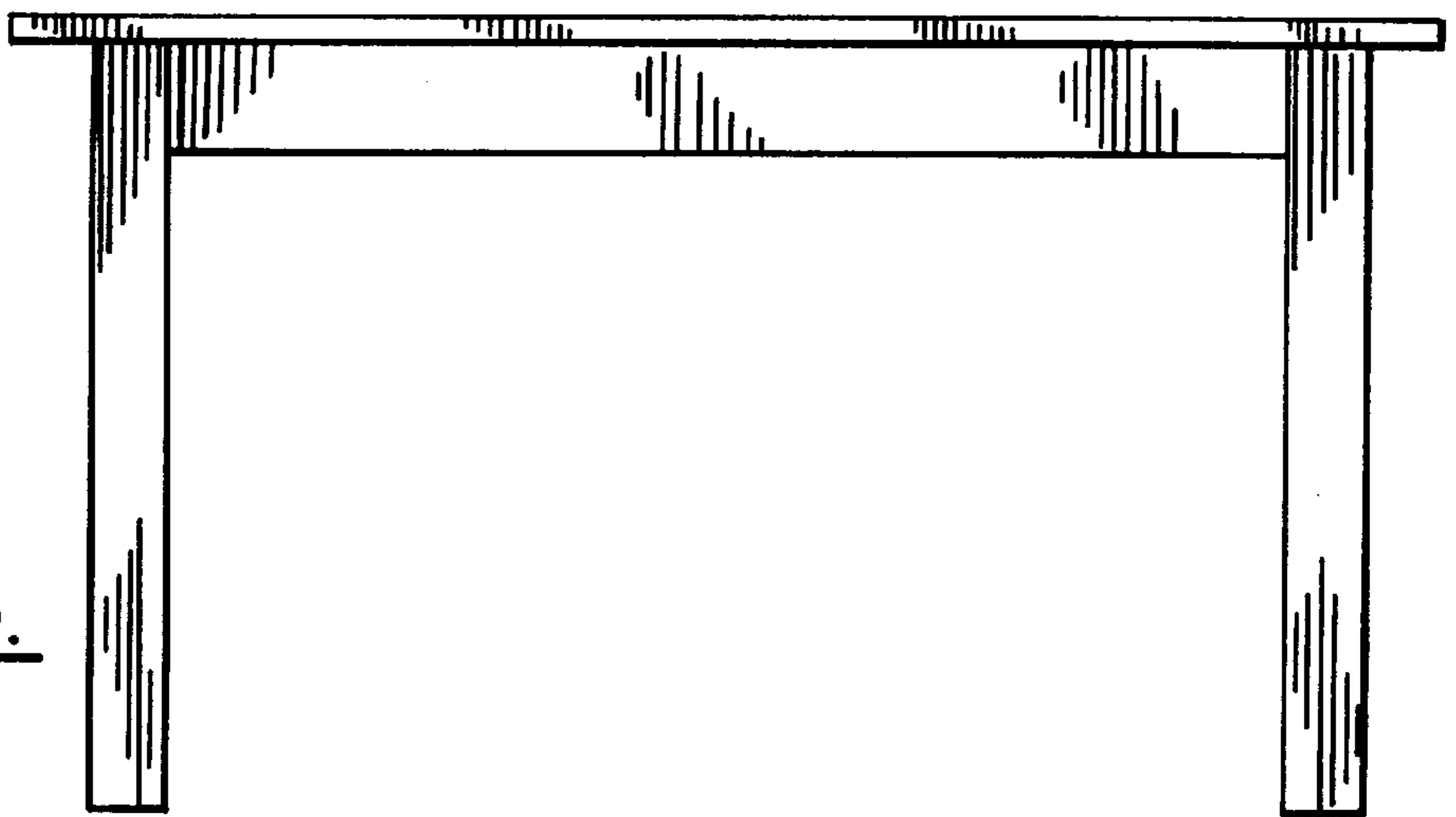


FIG. 4.

FIG. 5.



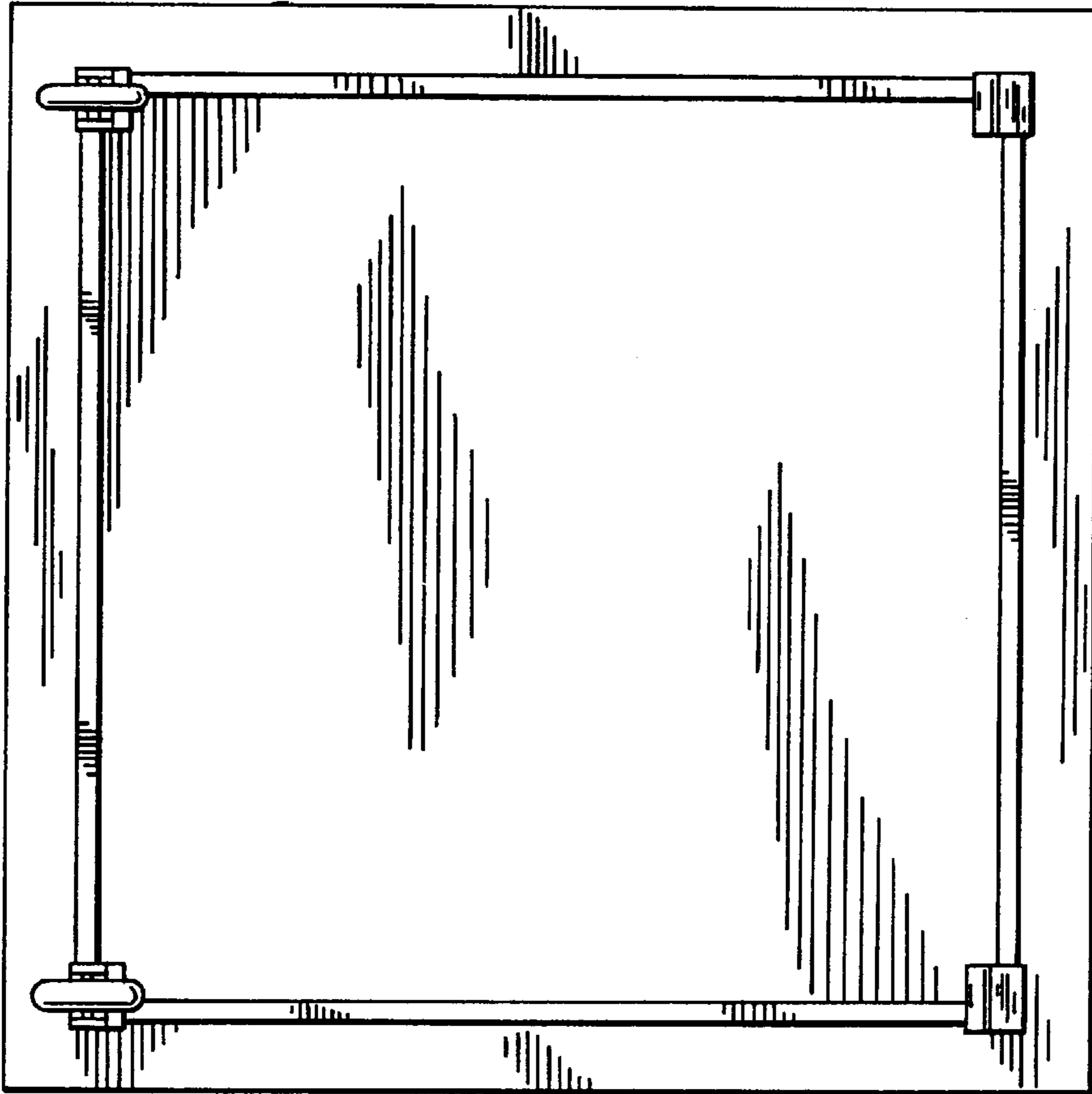


FIG. 6.

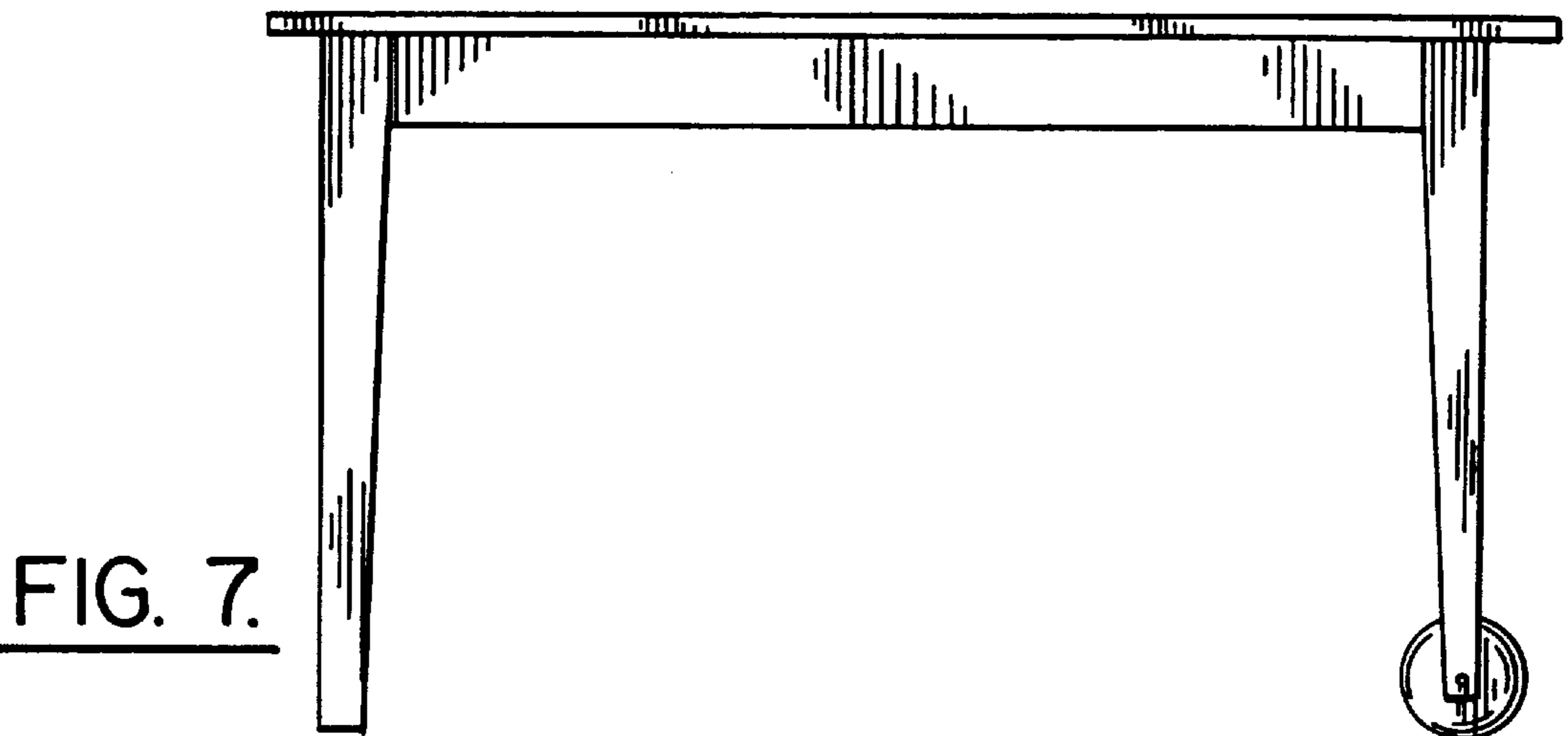


FIG. 7.