



US00D399368S

United States Patent [19] Herrera

[11] Patent Number: **Des. 399,368**

[45] Date of Patent: ****Oct. 13, 1998**

[54] **BOOK HOLDER**

[76] Inventor: **Jorge Herrera**, 2333 Pawnee La.,
Boise, Id. 83704

[**] Term: **14 Years**

[21] Appl. No.: **64,720**

[22] Filed: **Jan. 9, 1997**

[51] **LOC (6) Cl.** **06-04**

[52] **U.S. Cl.** **D6/419**

[58] **Field of Search** D6/419, 310, 311,
D6/420, 406; D19/86, 90, 91, 52; D21/54,
57, 454, 457, 459; 248/463, 451, 441.1;
211/72, 42, 43, 45, 47; 40/120

[56] **References Cited**

U.S. PATENT DOCUMENTS

D. 221,191	7/1971	Nutt	D19/91
D. 358,611	5/1995	Dainoff et al.	D6/419 X
D. 386,324	11/1997	Degen	D6/420
2,165,255	7/1939	Hamilton	248/459 X
2,222,665	11/1940	Hoenigsberg	428/459
2,490,356	12/1949	Hummel	248/463

2,881,008	4/1959	Goldman	D19/91 X
3,305,206	2/1967	Nichols	248/459
4,555,128	11/1985	White et al.	248/451
4,871,139	10/1989	Loewke et al.	248/441.1

Primary Examiner—James Gandy
Assistant Examiner—Linda Brooks
Attorney, Agent, or Firm—Frank J. Dykas

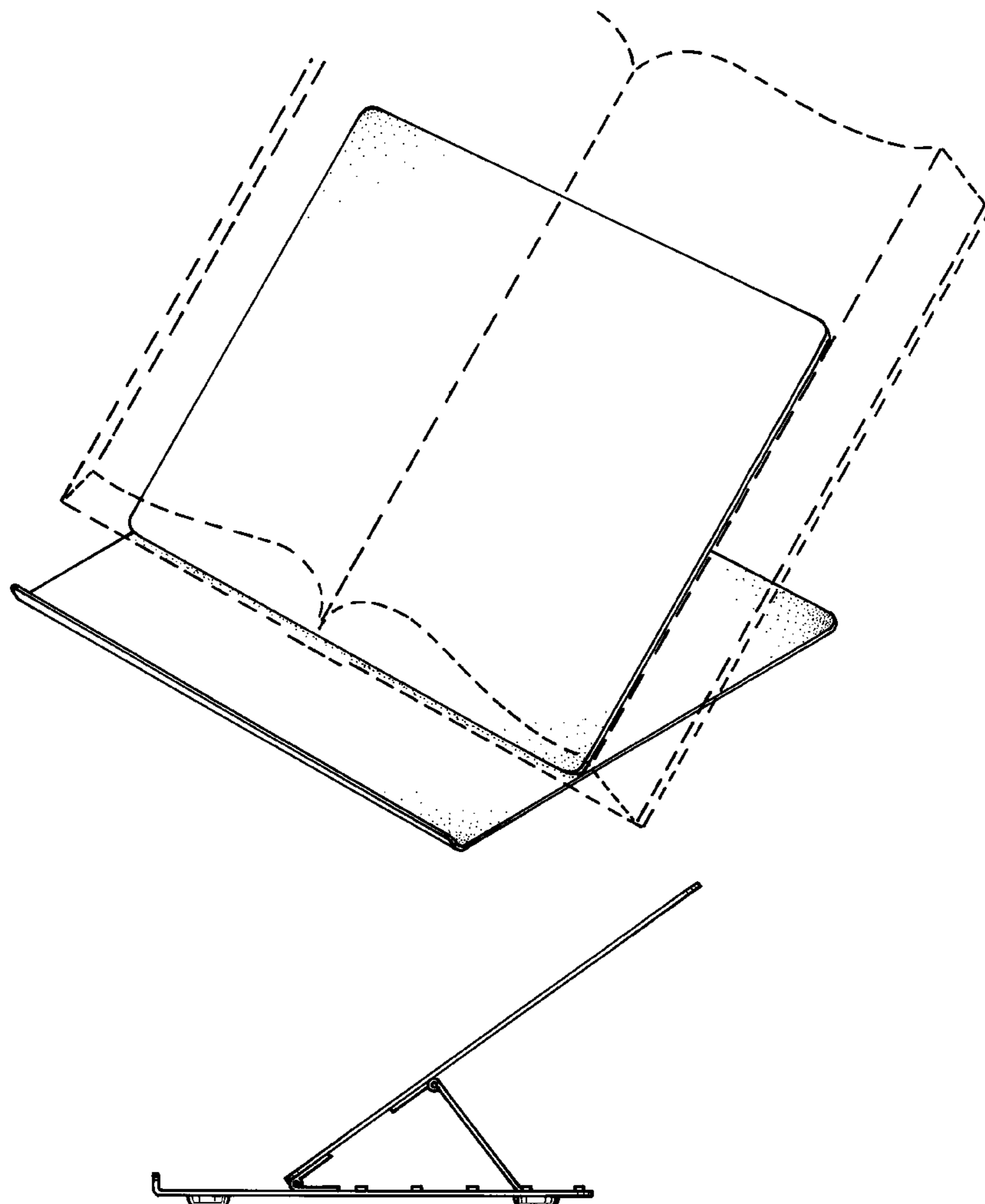
[57] **CLAIM**

The ornamental design for a book holder, as shown and described.

DESCRIPTION

FIG. 1 is a perspective view of the book holder, with a book shown in broken lines for purposes of illustration only and forming no part of the claimed design;
FIG. 2 is a front view of the book holder;
FIG. 3 is a rear view of the book holder;
FIG. 4 is top view of the book holder;
FIG. 5 is a bottom view of the book holder;
FIG. 6 is a right side view of the book holder; and,
FIG. 7 is a left side view of the book holder.

1 Claim, 6 Drawing Sheets



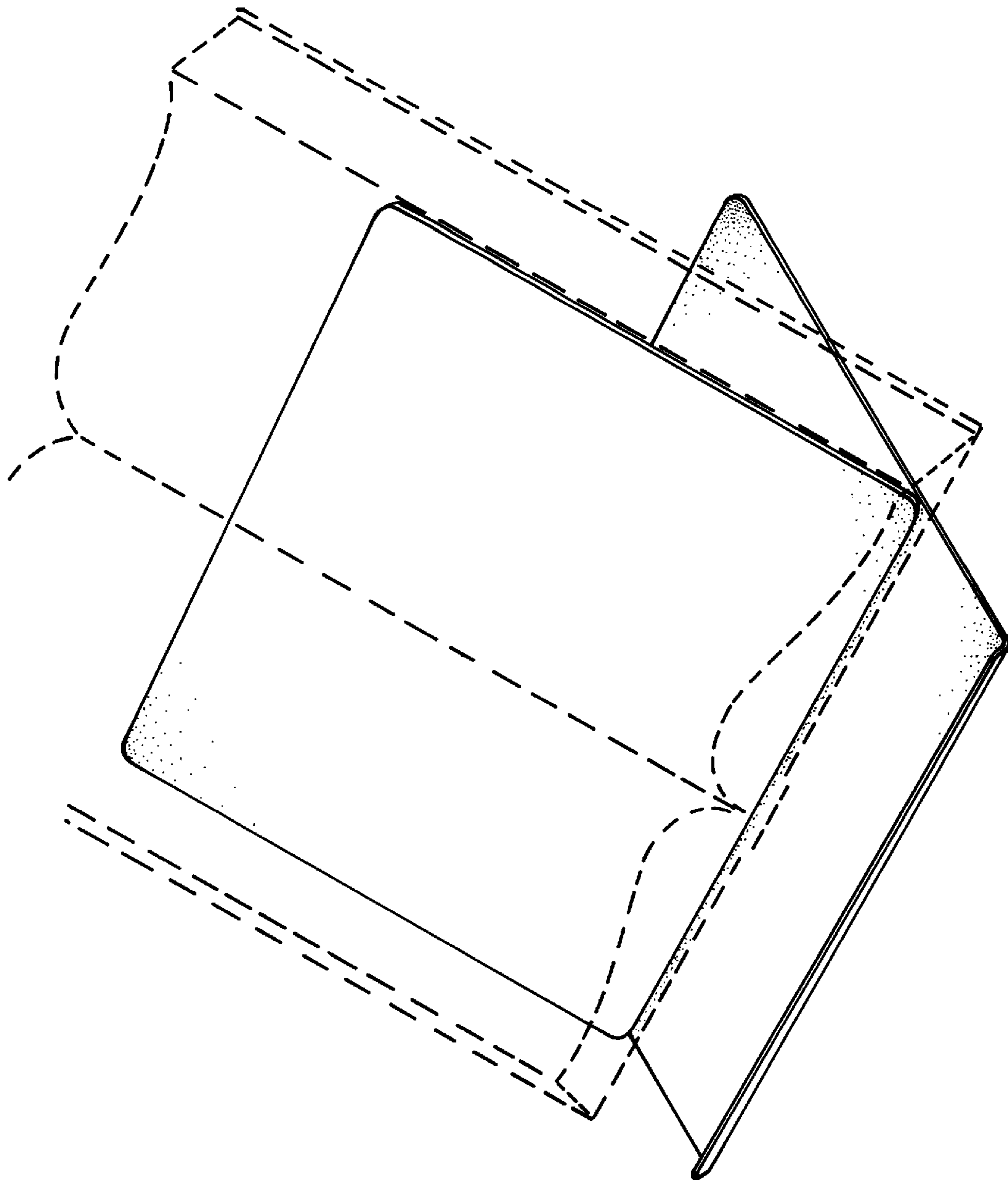


FIG. 1

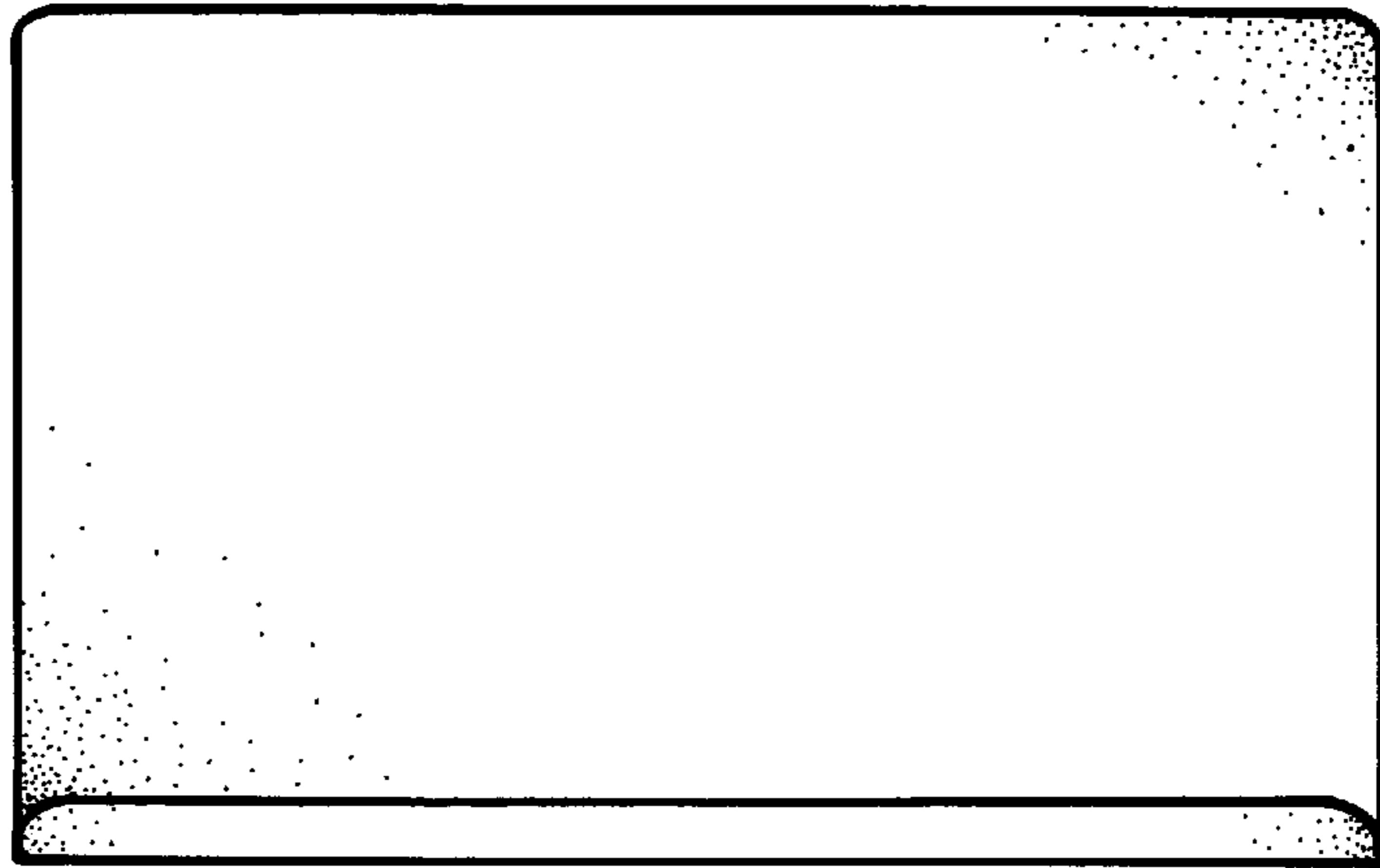


FIG. 2

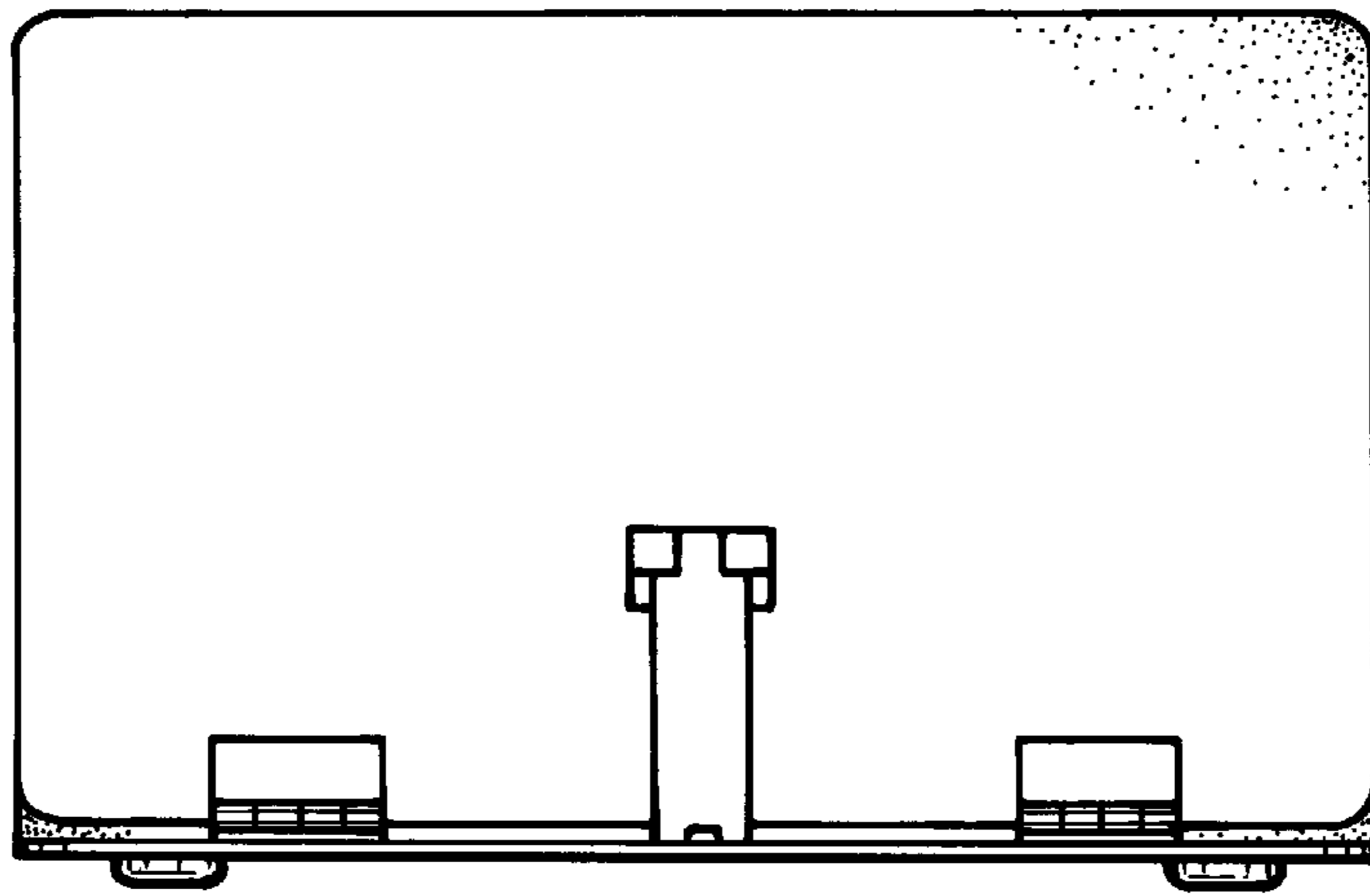


FIG. 3



FIG. 4

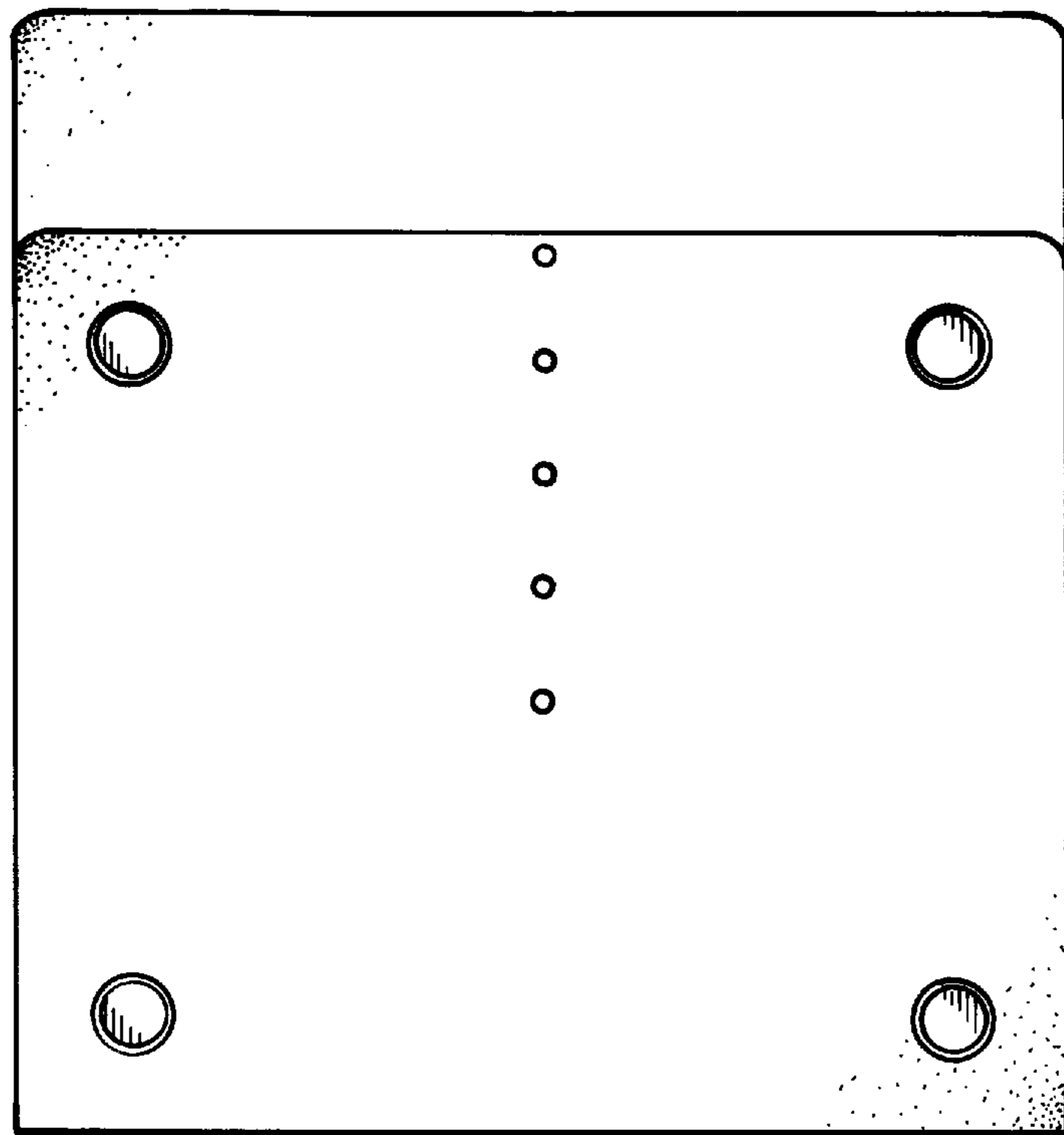


FIG. 5

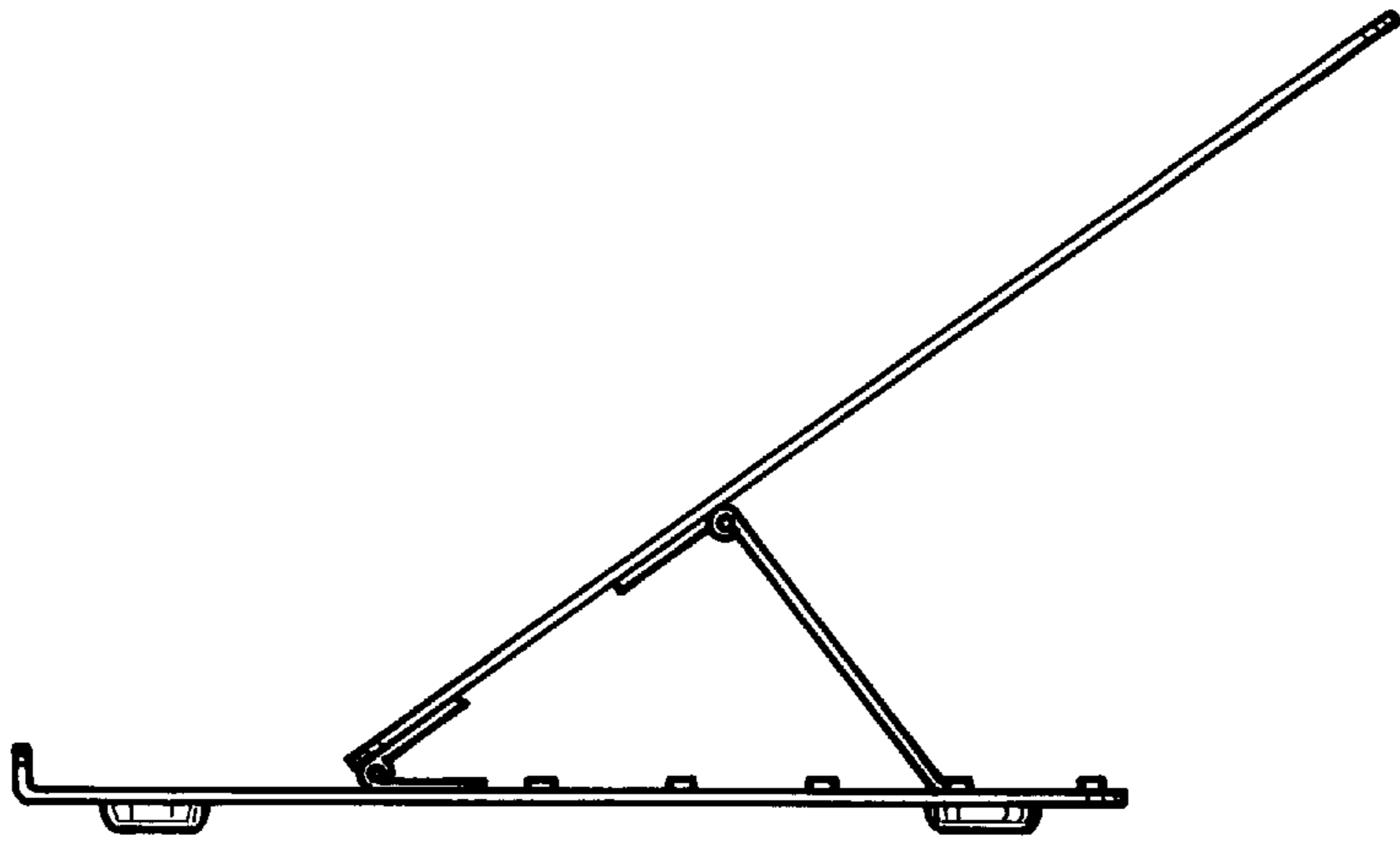


FIG. 6

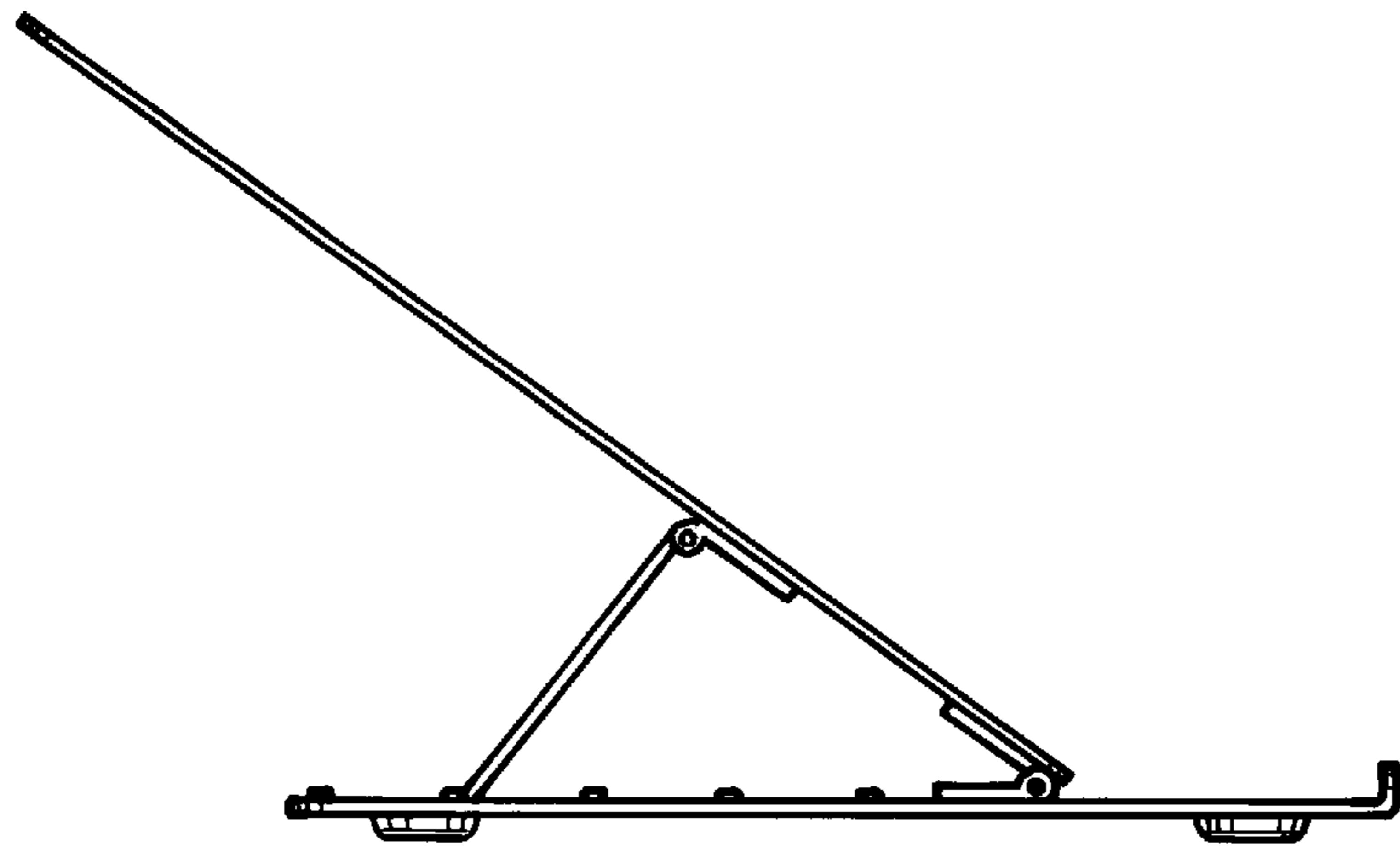


FIG. 7