



US00D399367S

United States Patent [19]

[11] Patent Number: **Des. 399,367**

Sieland et al.

[45] Date of Patent: ****Oct. 13, 1998**

[54] **PIVOTABLE SEAT ATTACHABLE UMBRELLA SUPPORT**

[75] Inventors: **Robert Sieland**, Wright City;
Raymond J. Pieper, St. Louis, both of Mo.

[73] Assignee: **Boat-A-Systems, Inc.**, St. Louis, Mo.

[**] Term: **14 Years**

[21] Appl. No.: **58,318**

[22] Filed: **Jul. 9, 1996**

Related U.S. Application Data

[63] Continuation-in-part of Ser. No. 28,709, Sep. 20, 1994, Pat. No. Des. 371,595.

[51] **LOC (6) Cl.** **06-06**

[52] **U.S. Cl.** **D6/416; D8/355; D22/147**

[58] **Field of Search** D8/354, 355, 363; D34/27; D6/416, 418; 248/507, 508, 516, 205.1, 230.1; 135/16, 19.5, 88.02; D22/147; 43/21.2; 211/62, 70.8; 248/514, 528, 520, 517

[56] References Cited

U.S. PATENT DOCUMENTS

- D. 229,480 12/1973 Brushaber D8/354
- 230,521 7/1880 Barker .
- D. 307,312 4/1990 Engle D22/147
- D. 321,765 11/1991 Morse D8/363 X
- D. 329,761 9/1992 Pieper D6/416
- D. 367,811 3/1996 Leblhuber D8/354
- D. 371,595 7/1996 Pieper et al. D22/147
- D. 377,387 1/1997 Mathewson D22/147
- 635,612 10/1899 Tardel .
- 852,872 5/1907 Collins .

- 923,596 6/1909 Staples .
- 1,406,571 2/1922 McCoy .
- 3,151,910 10/1964 Larson .
- 3,304,035 2/1967 Davis .
- 3,570,793 3/1971 Shackel .
- 3,747,881 7/1973 Akamu .
- 4,460,216 7/1984 Keller .
- 4,614,323 9/1986 Bauer .
- 4,645,167 2/1987 Hardwick .
- 4,827,654 5/1989 Roberts .
- 4,852,291 8/1989 Mengo .
- 4,879,963 11/1989 Dionne .
- 5,431,364 7/1995 Etter 248/514

Primary Examiner—Susan J. Lucas
Assistant Examiner—Cynthia E. Ramirez
Attorney, Agent, or Firm—Howell & Haferkamp, L.C.

[57] CLAIM

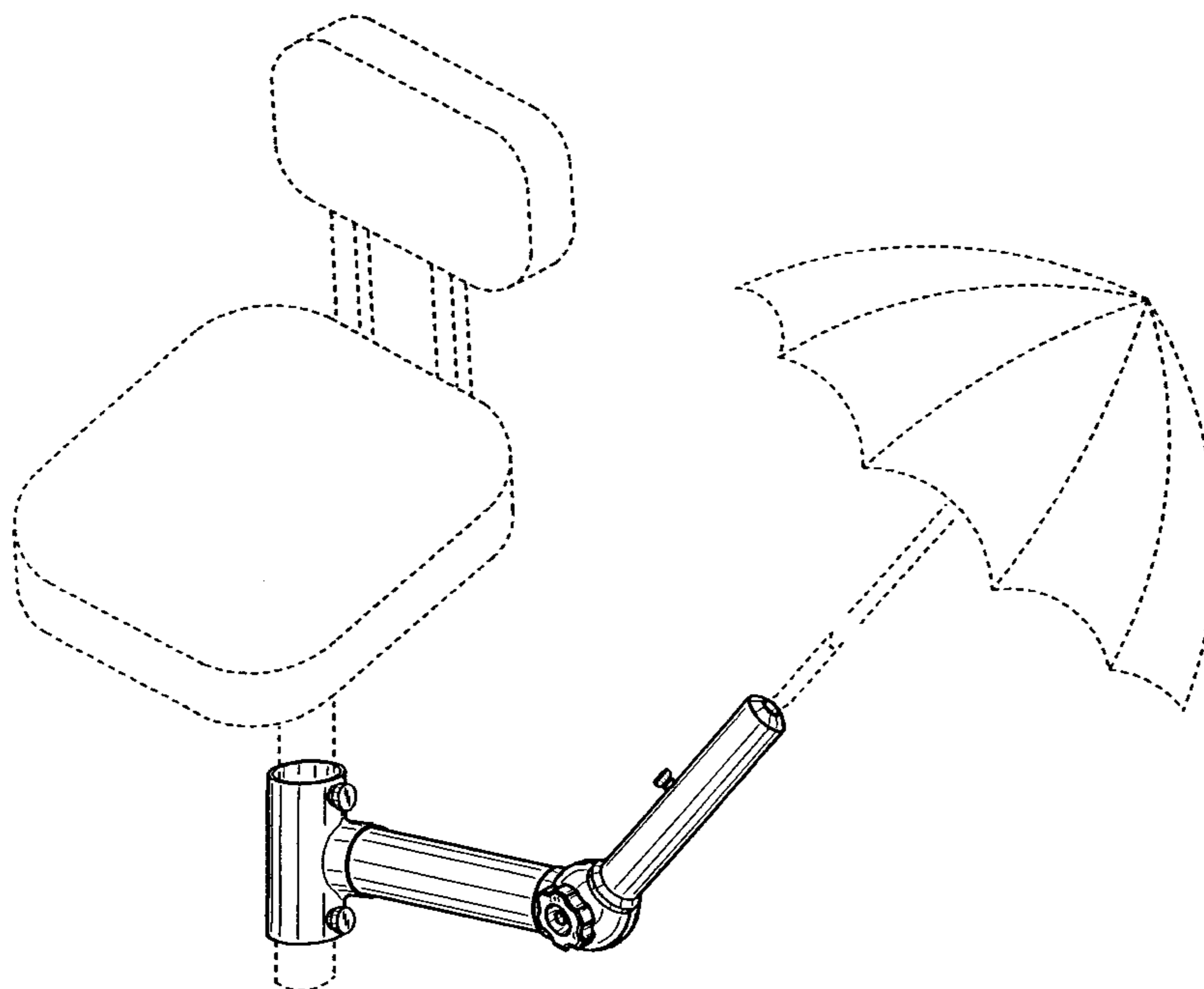
The ornamental design for a pivotable seat attachable umbrella support, as shown and described.

DESCRIPTION

FIG. 1 is a perspective view of a pivotable seat attachable umbrella support showing our new design;
FIG. 2 is an enlarged perspective view thereof;
FIG. 3 is a perspective view thereof, with alternate positions shown in superimposed broken lines;
FIG. 4 is a right side elevational view thereof;
FIG. 5 is a left side elevational view thereof;
FIG. 6 is a front elevational view thereof;
FIG. 7 is a rear elevational view thereof;
FIG. 8 is a top plan view thereof; and,
FIG. 9 is a bottom plan view thereof.

The broken line showing of a chair and an umbrella in FIG. 1 is for illustrative purposes only and forms no part of the claimed design.

1 Claim, 3 Drawing Sheets



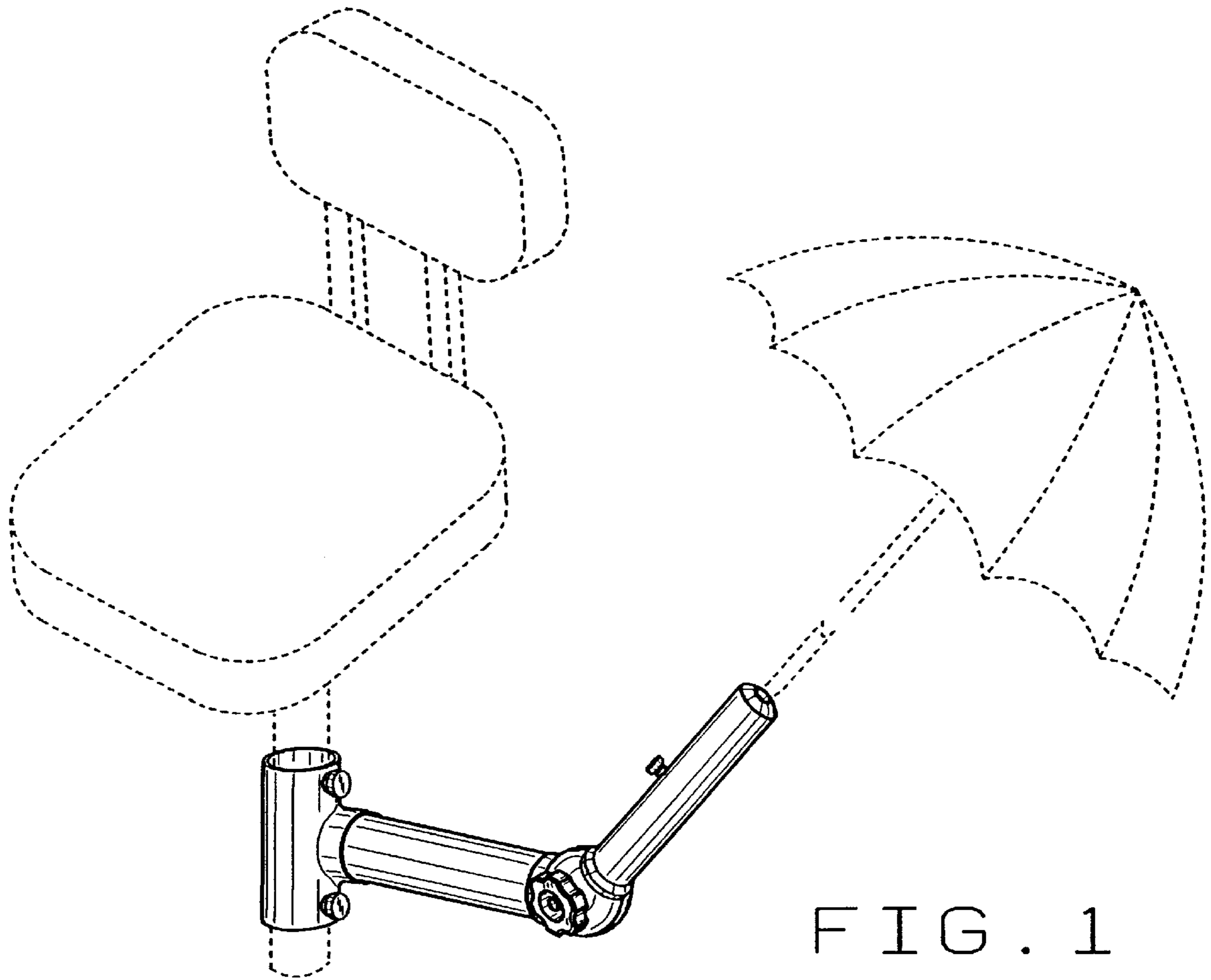


FIG. 1

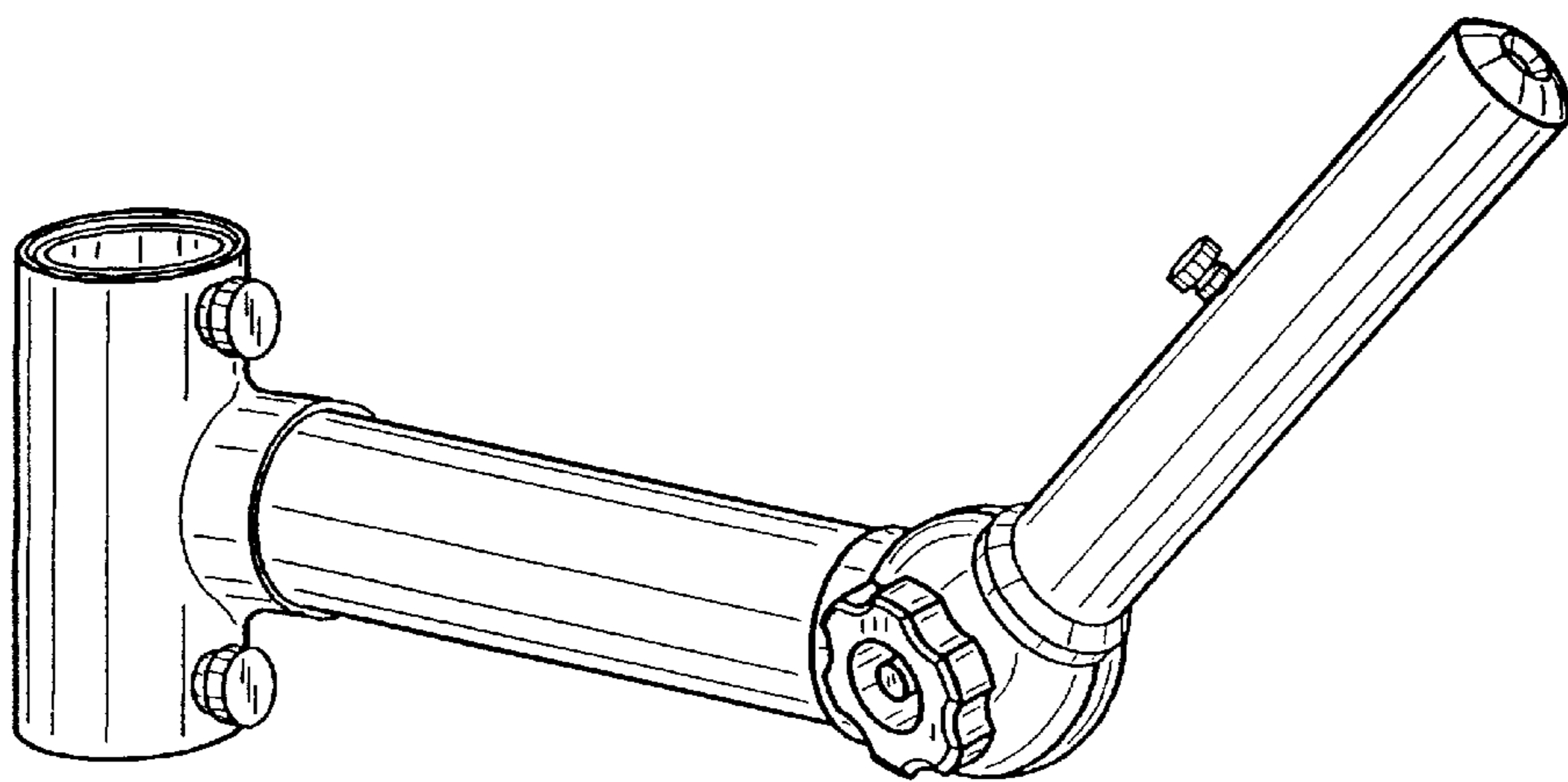


FIG. 2

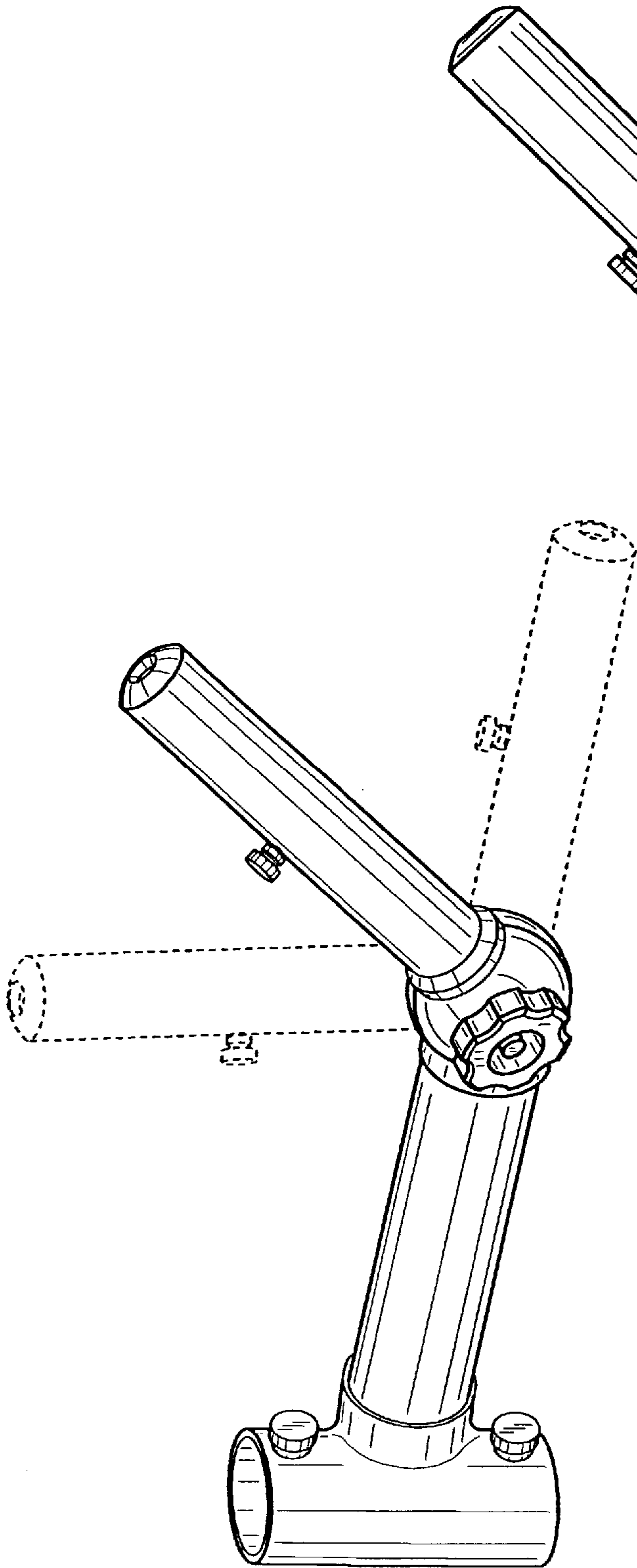


FIG. 3

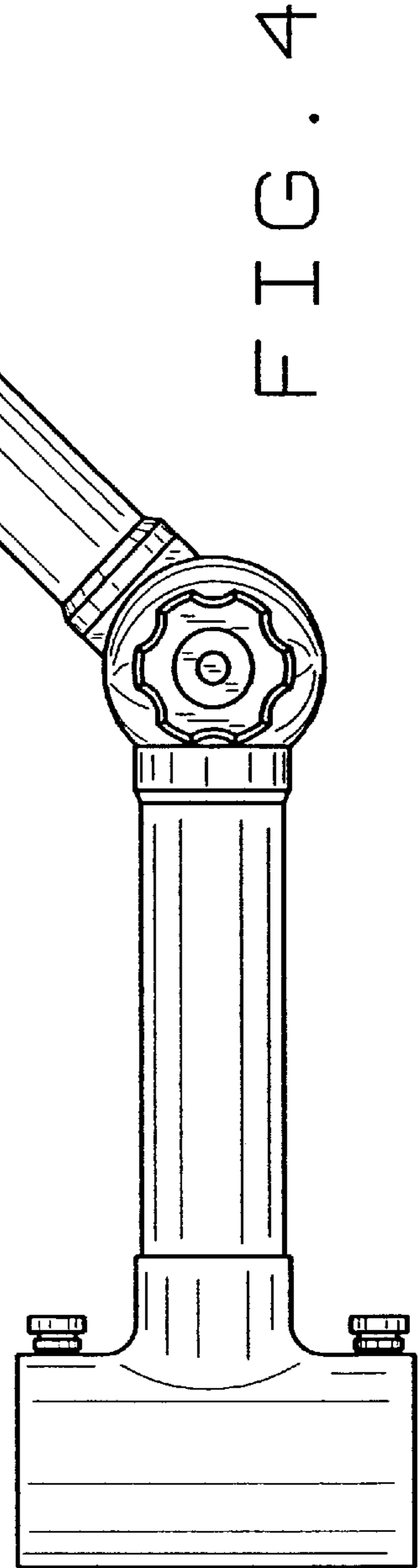


FIG. 4

