



US00D399366S

**United States Patent** [19]  
**Stravitz**

[11] **Patent Number: Des. 399,366**

[45] **Date of Patent: \*\*Oct. 13, 1998**

[54] **STEPPED RACK**

[76] **Inventor: David M. Stravitz, 16 Park Ave., Suite 14A, New York, N.Y. 10016**

[\*\*] **Term: 14 Years**

[21] **Appl. No.: 62,363**

[22] **Filed: Nov. 13, 1996**

[51] **LOC (6) Cl. .... 06-04**

[52] **U.S. Cl. .... D6/407; D6/476**

[58] **Field of Search** ..... D6/407, 626-630, D6/462-468, 450, 457, 473-476, 556-567, 570-572, 553; 312/9.1-9.64; D19/90; D32/55, 58; 211/40, 41.1, 41.2, 41.3, 41.4, 42, 41.12, 44, 41.18, 48, 181.1, 74; 206/307.1, 307, 308.1, 445, 387.15, 454, 387.1, 425

[56] **References Cited**

**U.S. PATENT DOCUMENTS**

D. 217,633 5/1970 Iorio ..... D32/55  
D. 242,890 1/1977 Hillman et al. .... D6/474 X

D. 260,455 9/1981 Haswell ..... D6/630  
D. 374,582 10/1996 Chu ..... D6/407 X  
1,453,065 4/1923 Fargo ..... 211/42  
1,455,524 5/1923 Fargo ..... 211/42  
4,832,208 5/1989 Finnegan ..... 211/74 X

*Primary Examiner*—Jeffrey Asch  
*Attorney, Agent, or Firm*—Frishauf, Holtz, Goodman, Langer & Chick

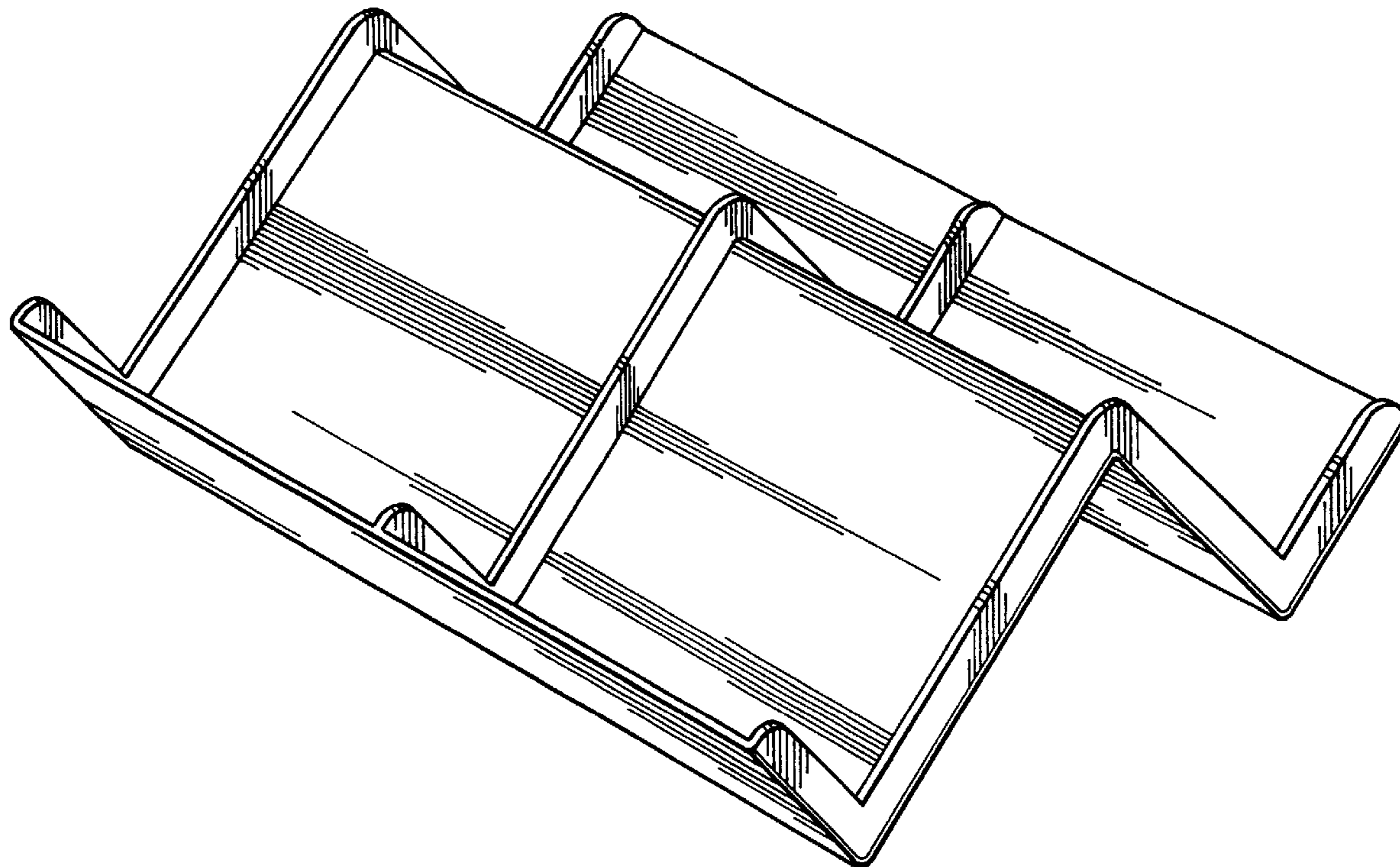
[57] **CLAIM**

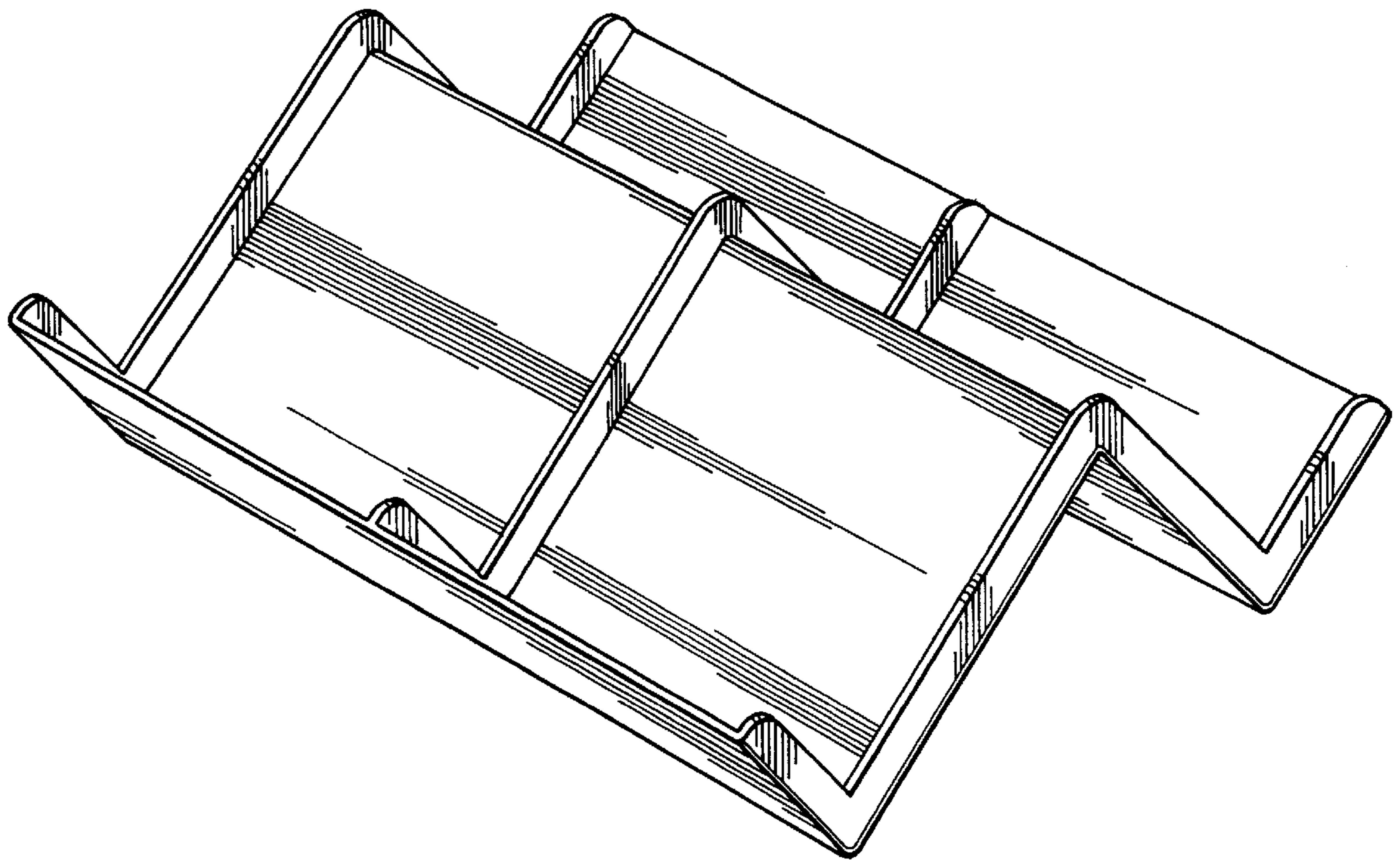
The ornamental design for a stepped rack, as shown and described.

**DESCRIPTION**

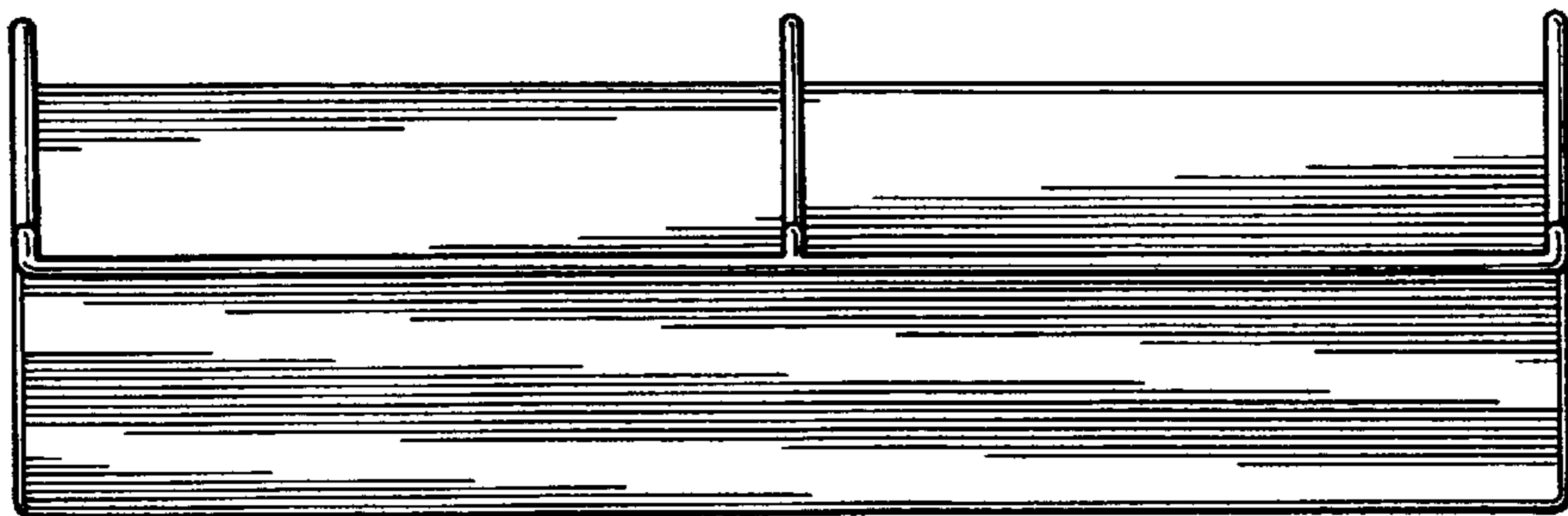
FIG. 1 is a front, left, and top perspective view of stepped rack showing my new design, the right side being a mirror image of the left side;  
FIG. 2 is a front elevational view thereof;  
FIG. 3 is a rear elevational view thereof;  
FIG. 4 is a top plan view thereof; and,  
FIG. 5 is a bottom plan view thereof.

**1 Claim, 2 Drawing Sheets**

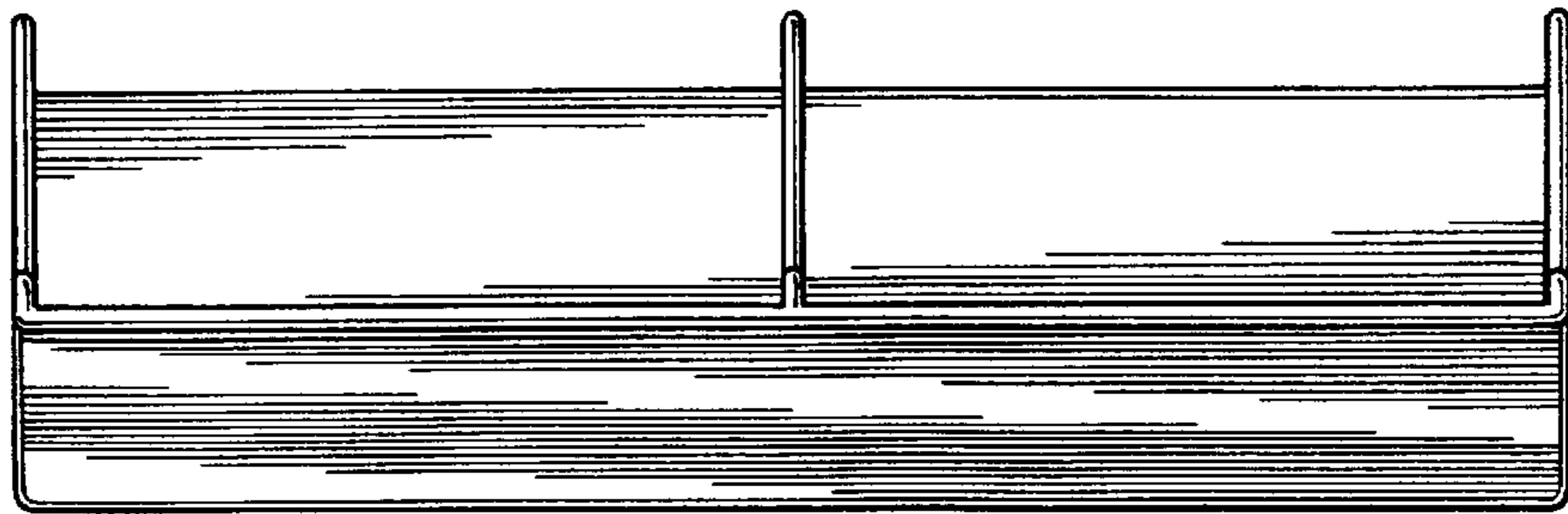




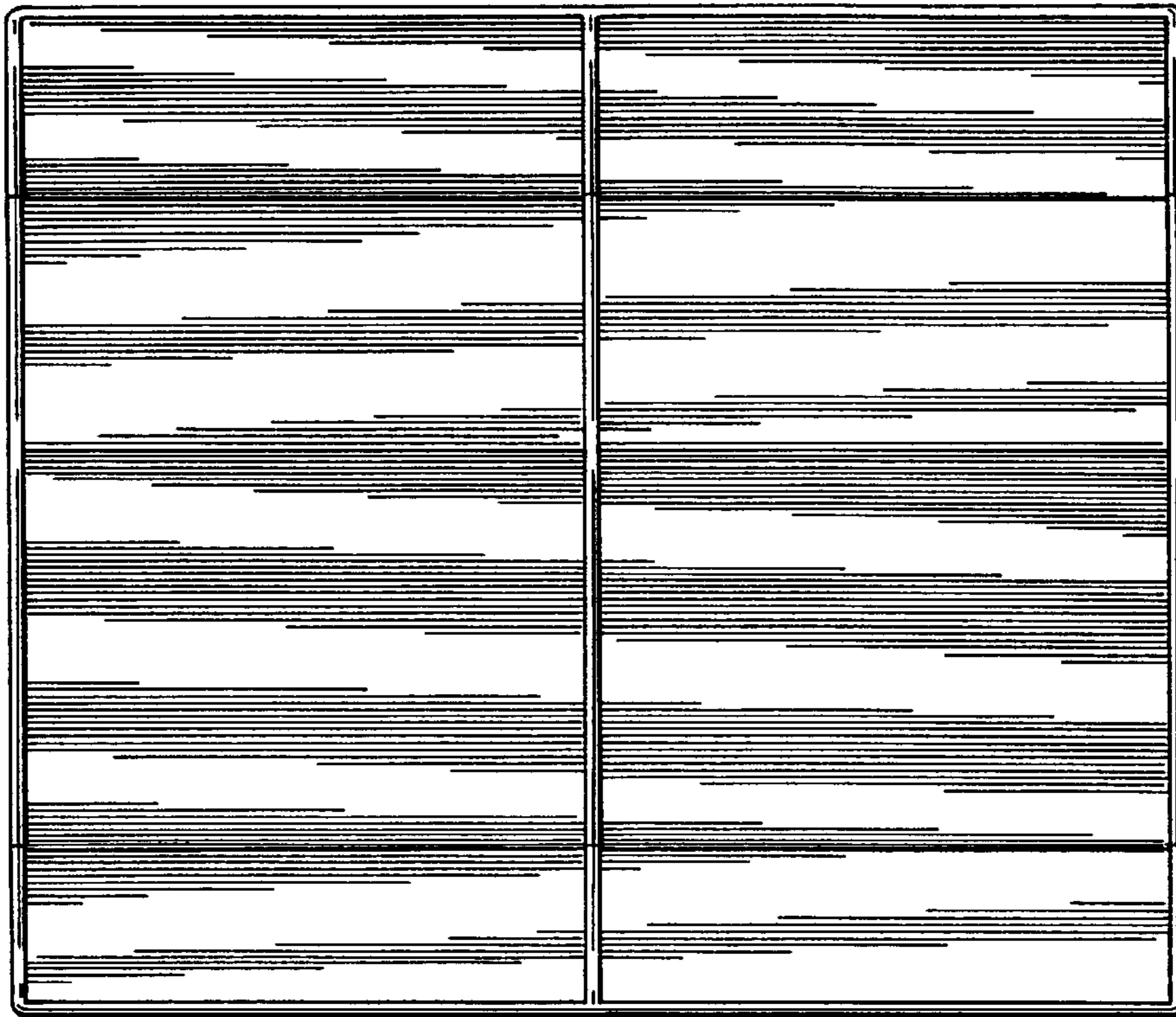
*Fig. 1*



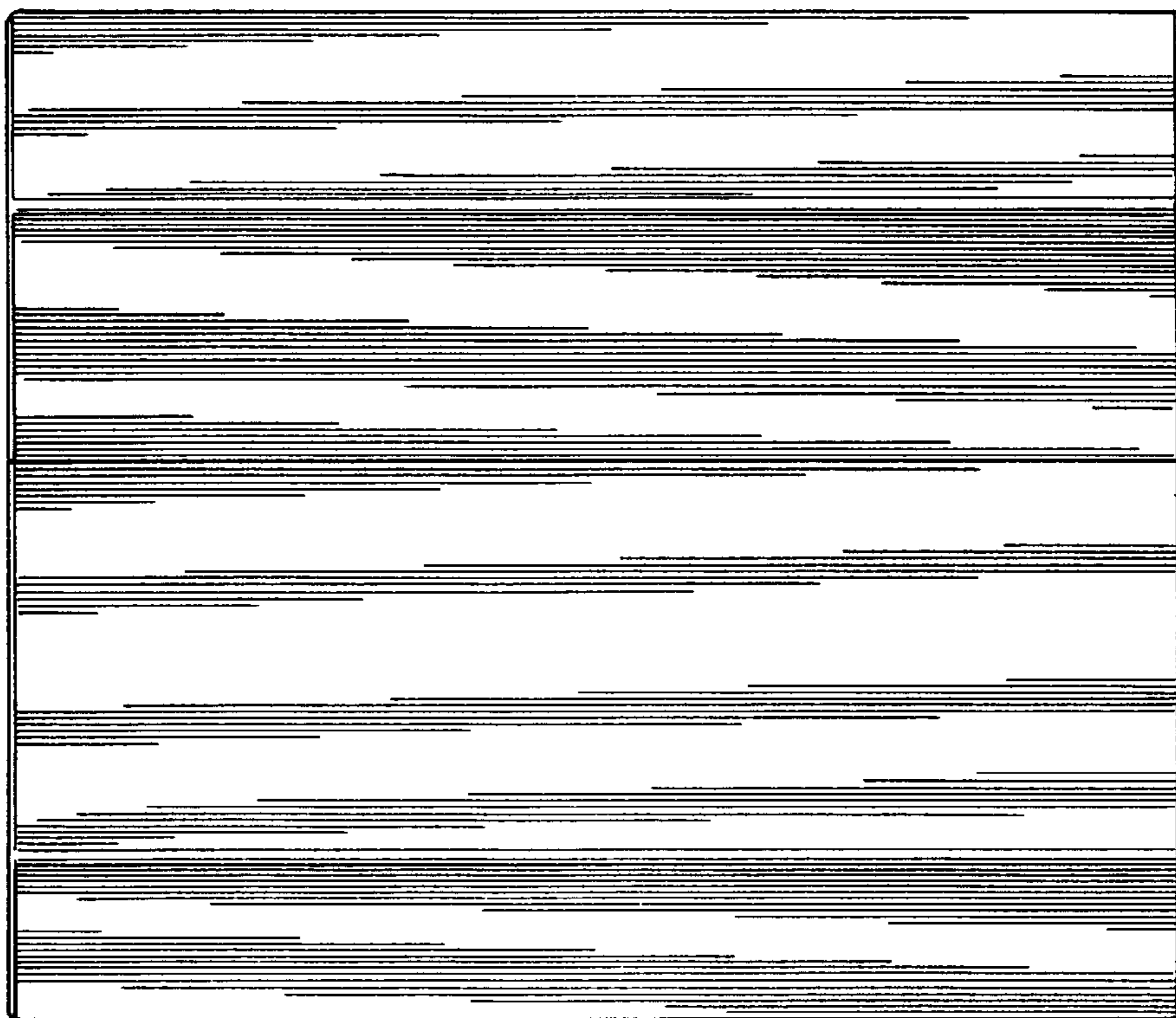
*Fig. 2*



*Fig. 3*



*Fig. 4*



*Fig. 5*