



US00D399359S

United States Patent [19]

Natuzzi et al.

[11] Patent Number: **Des. 399,359**

[45] Date of Patent: ****Oct. 13, 1998**

[54] SEAT

[75] Inventors: **Pasquale Natuzzi; Raffaella Lucarelli**, both of Santeramo In Colle, Italy

[73] Assignee: **Industrie Natuzzi, Spa**, Santeramo, Italy

[**] Term: **14 Years**

[21] Appl. No.: **76,644**

[22] Filed: **Sep. 15, 1997**

[51] LOC (6) Cl. **06-01**

[52] U.S. Cl. **D6/381; D6/334; D6/335**

[58] Field of Search **D6/334, 335, 336, D6/364, 371, 373, 377, 381, 500, 501, 502; 297/232, 445.1**

[56] References Cited

U.S. PATENT DOCUMENTS

D. 327,373	6/1992	Warren	D6/335
D. 353,062	12/1994	Natuzzi et al.	D6/381
D. 367,366	2/1996	Natuzzi et al.	D6/335
D. 369,475	5/1996	Natuzzi et al.	D6/335
D. 370,356	6/1996	Natuzzi et al.	D6/335
D. 387,212	12/1997	Natuzzi et al.	D6/381
D. 389,331	1/1998	Natuzzi et al.	D6/381

OTHER PUBLICATIONS

Natuzzi Model 462, Oct. 1988, at International Home Furnishings Market in High Point, North Carolina.
 Natuzzi Model 765, Apr. 1990, at International Home Furnishings Market in High Point, North Carolina.
 Natuzzi Model 769, Oct. 1990, at International Home Furnishings Market in High Point, North Carolina.
 Natuzzi Model 881, Oct. 1991, at International Home Furnishings Market in High Point, North Carolina.
 Natuzzi Model 897, Apr. 1992, at International Home Furnishings Market in High Point, North Carolina.
 Natuzzi Model 914, Apr. 1992, at International Home Furnishings Market in High Point, North Carolina.
 Natuzzi Model 1034, Apr. 1993, at International Home Furnishings Market in High Point, North Carolina.

Natuzzi Model 1059, Apr. 1993, at International Home Furnishings Market in High Point, North Carolina.
 Natuzzi Model 1068, Oct. 1993, at International Home Furnishings Market in High Point, North Carolina.
 Natuzzi Model 1098, Oct. 1993, at International Home Furnishings Market in High Point, North Carolina.
 Natuzzi Model 1119, Jan. 1994, at International Home Furnishings Market in High Point, North Carolina.

(List continued on next page.)

Primary Examiner—Gary D. Watson
Attorney, Agent, or Firm—Bell Seltzer Intellectual Property Law Group of Alston & Bird LLP

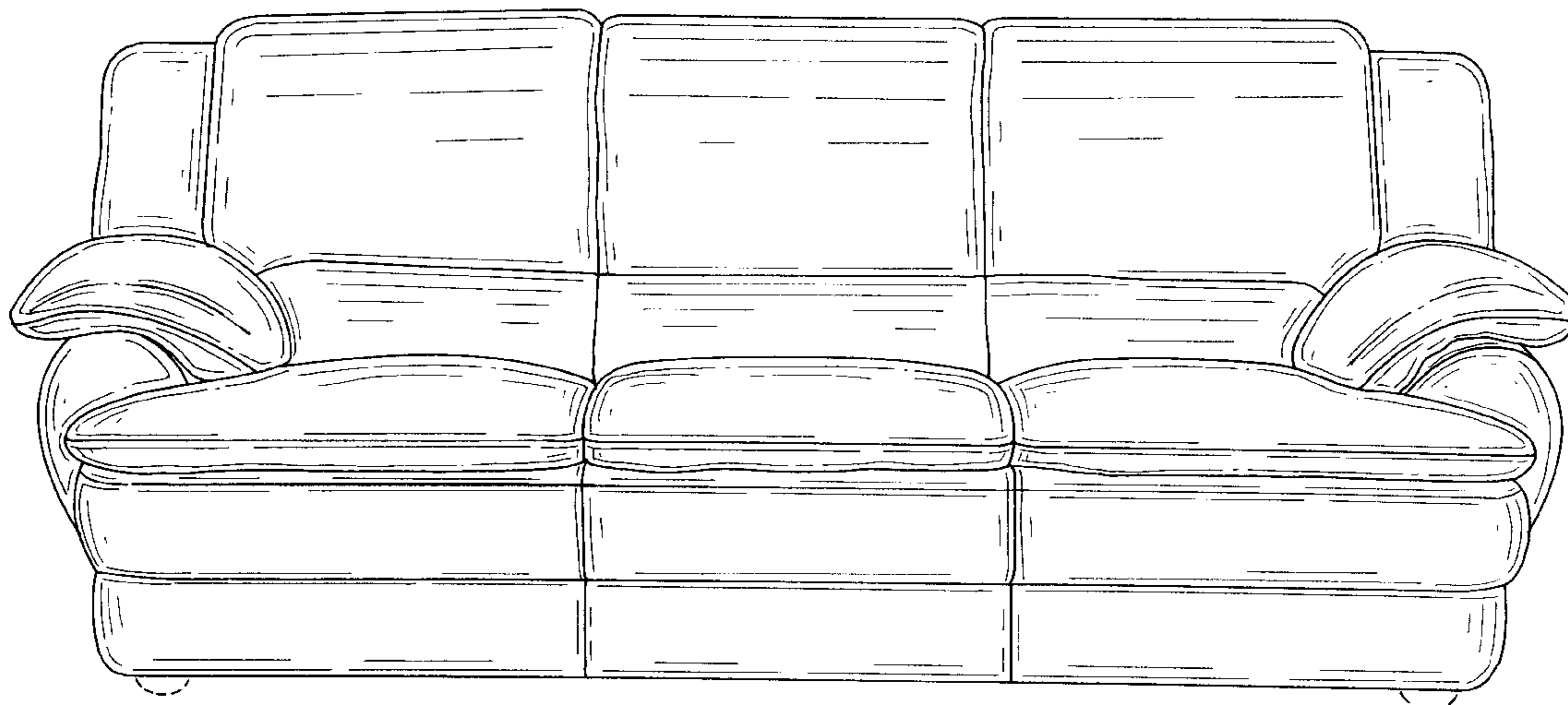
[57] CLAIM

The ornamental design for a seat, as shown and described.

DESCRIPTION

FIG. 1 is a front perspective view of a seat showing our new design in the form of a sofa;
 FIG. 2 is a front elevational view thereof;
 FIG. 3 is a top plan view thereof;
 FIG. 4 is a right side elevational view, the left side being a mirror image thereof;
 FIG. 5 is a rear perspective view thereof;
 FIG. 6 is a front elevational view of a seat showing our new design in the form of a loveseat;
 FIG. 7 is a front elevational view of a seat showing our new design in the form of a chair;
 FIG. 8 is a front perspective view of a seat showing our new design in the form of a sectional;
 FIG. 9 is a top plan view thereof; and,
 FIG. 10 is a rear perspective view thereof.
 The broken lines shown herein are for illustrative purposes only and form no part of the claimed design.
 The rear views of FIGS. 6 and 7 are like FIG. 5, the difference being a matter of length.
 The end views of FIGS. 6 and 7 are like that shown in FIG. 4.
 FIGS. 1 and 5 have been shown on an enlarged scale with respect to the other views.

1 Claim, 6 Drawing Sheets



OTHER PUBLICATIONS

Natuzzi Model 1198, Oct. 1994, at International Home Furnishings Market in High Point, North Carolina.

Natuzzi Model 1221, Oct. 1994, at International Home Furnishings Market in High Point, North Carolina.

Natuzzi Model 1249, Oct. 1994, at International Home Furnishings Market in High Point, North Carolina.

Natuzzi Model 1309, Apr. 1995, at International Home Furnishings Market in High Point, North Carolina.

Natuzzi Model 1340, Sep. 1995, at International Home Furnishings Market in High Point, North Carolina.

Natuzzi Model 1382, Oct. 1995, at International Home Furnishings Market in High Point, North Carolina.

Natuzzi Model 1395, Mar. 1996, at International Home Furnishings Market in High Point, North Carolina.

Natuzzi Model 1400, Mar. 1996, at International Home Furnishings Market in High Point, North Carolina.

Natuzzi Model 1439, Mar. 1996, at International Home Furnishings Market in High Point, North Carolina.

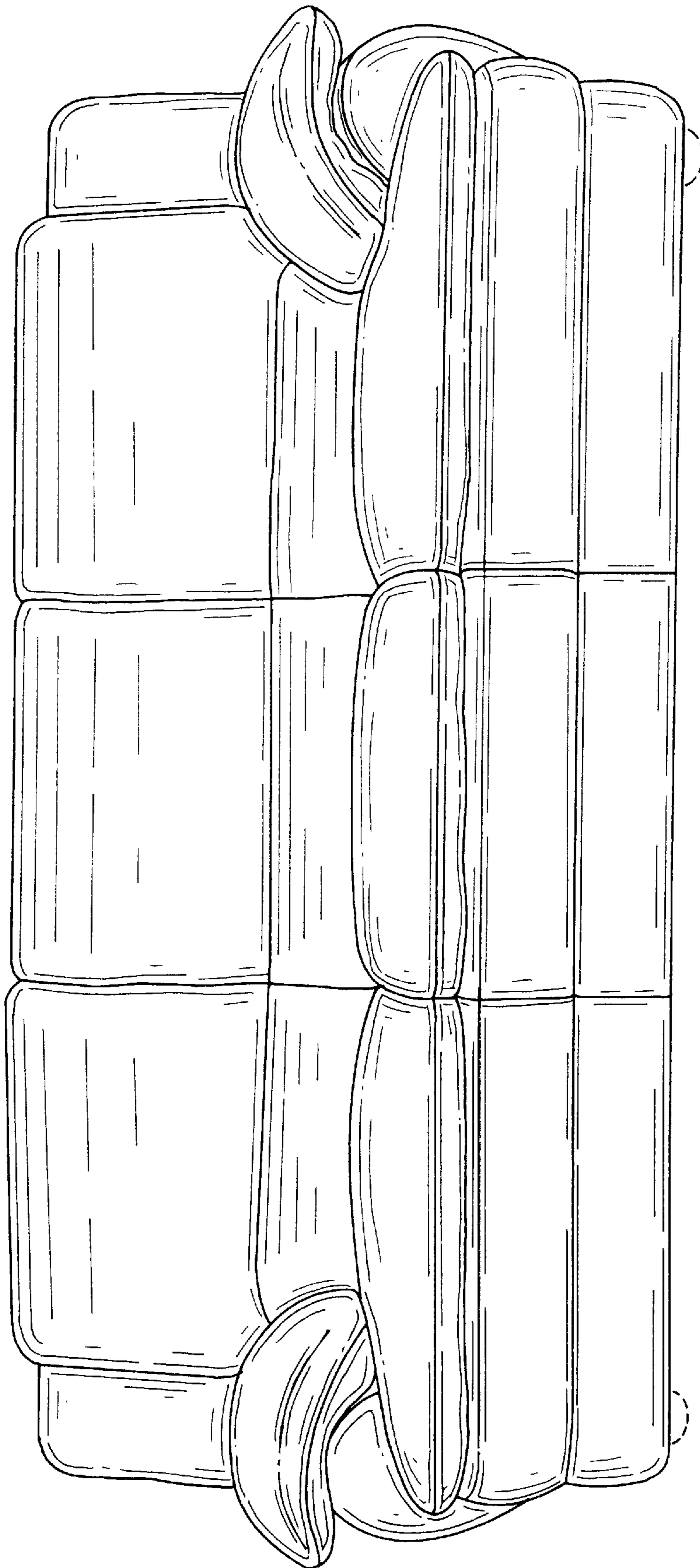


FIG. 1.

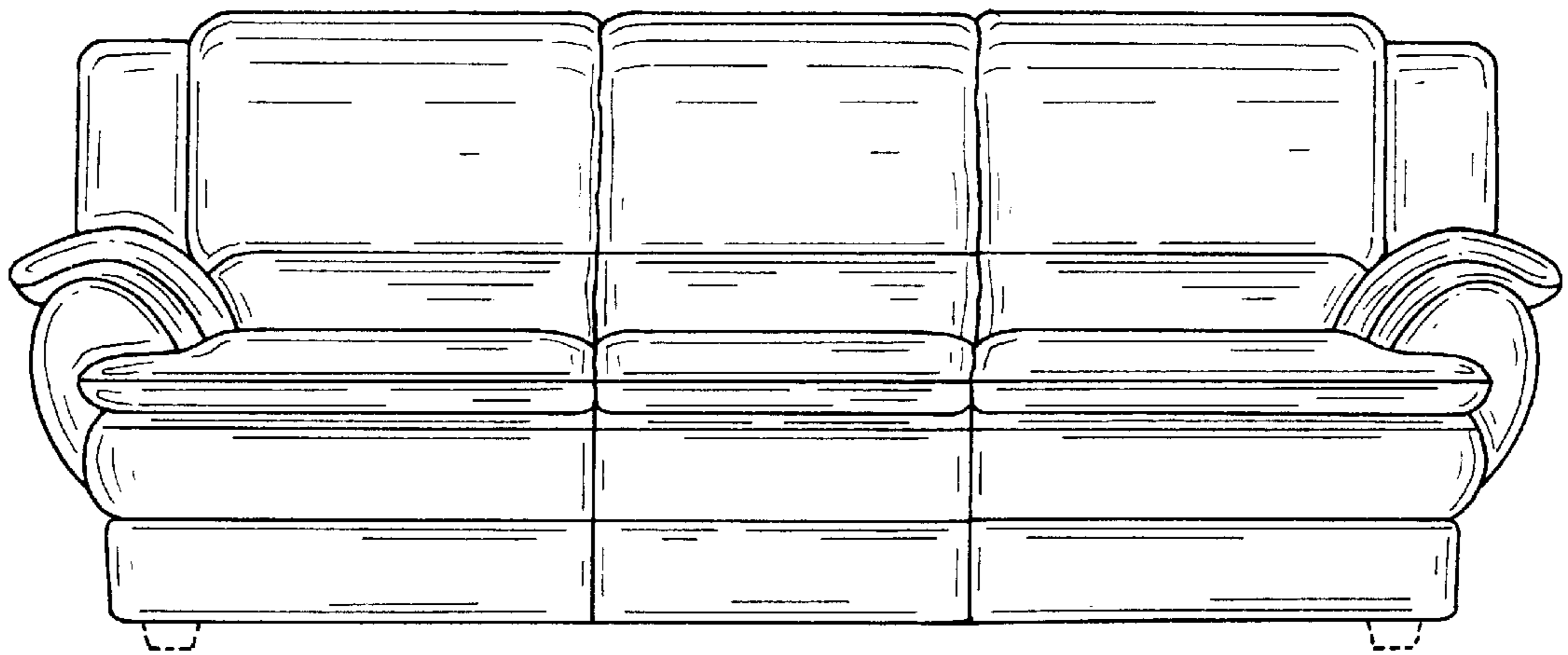


FIG. 2.

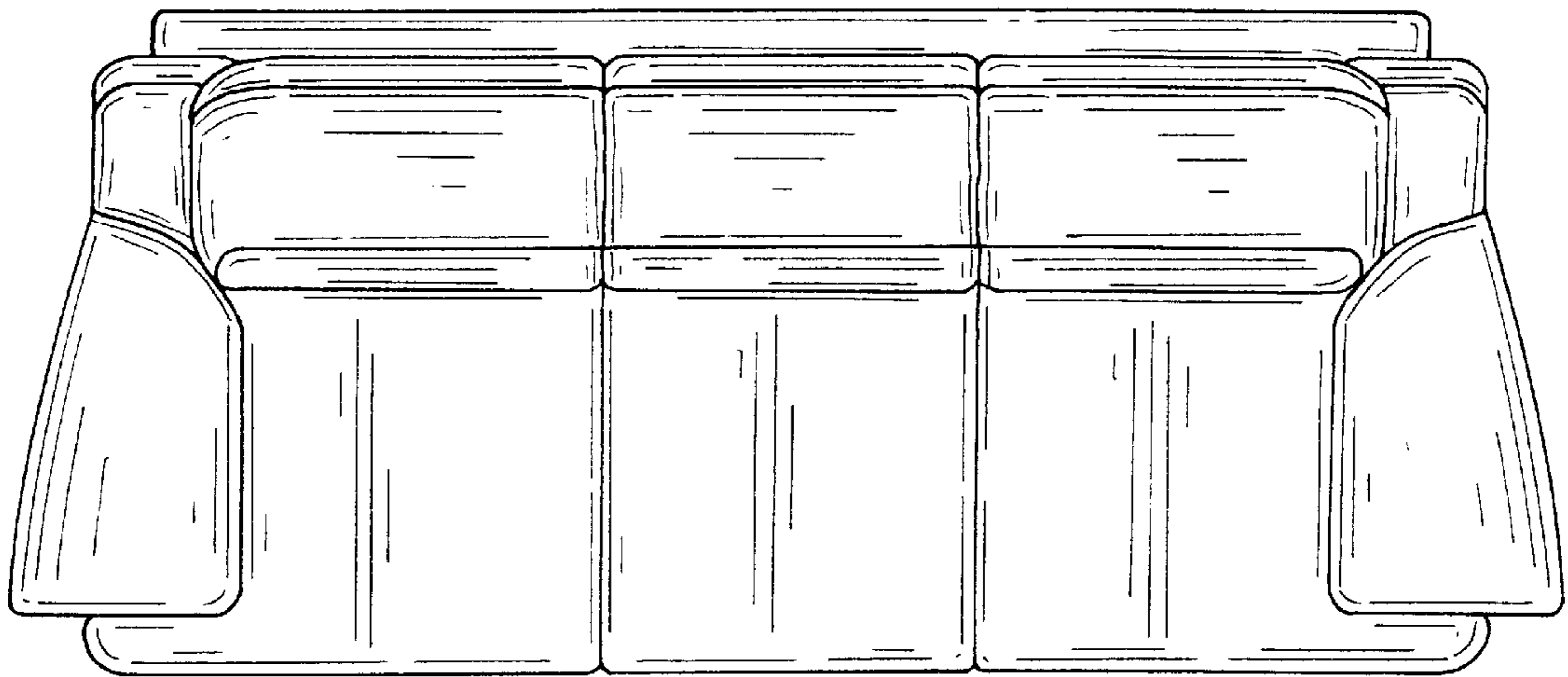


FIG. 3.

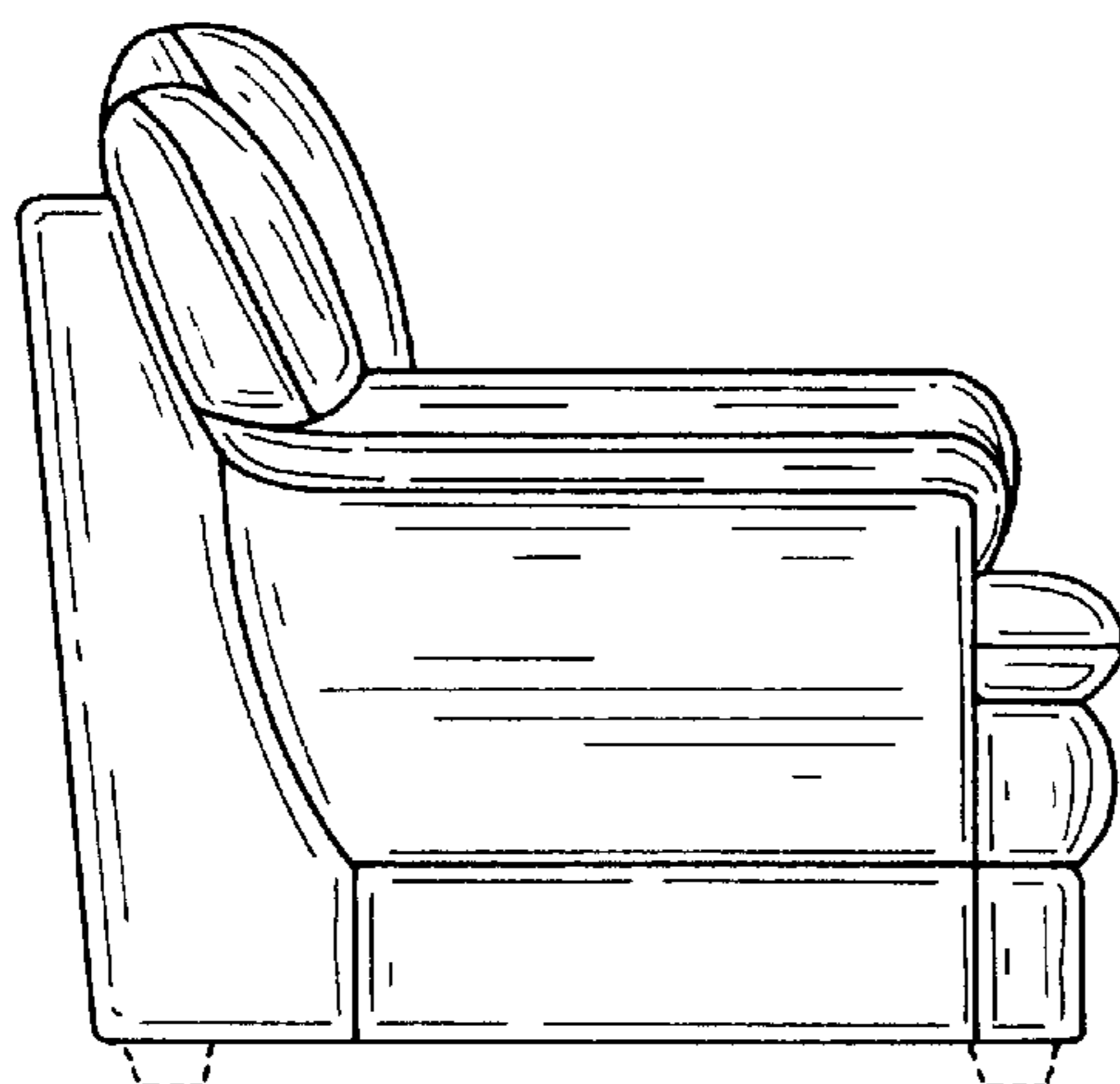


FIG. 4.

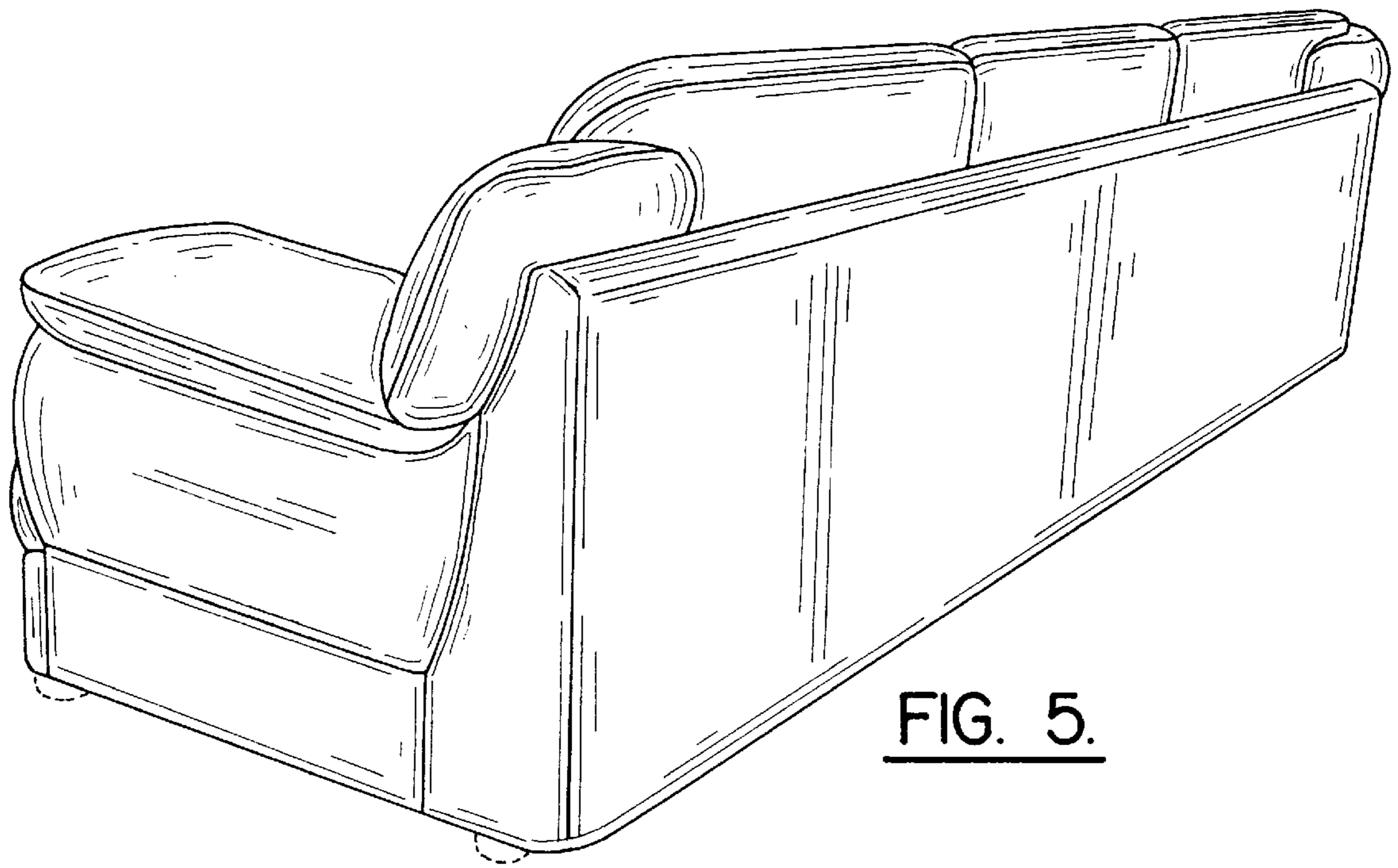


FIG. 5.

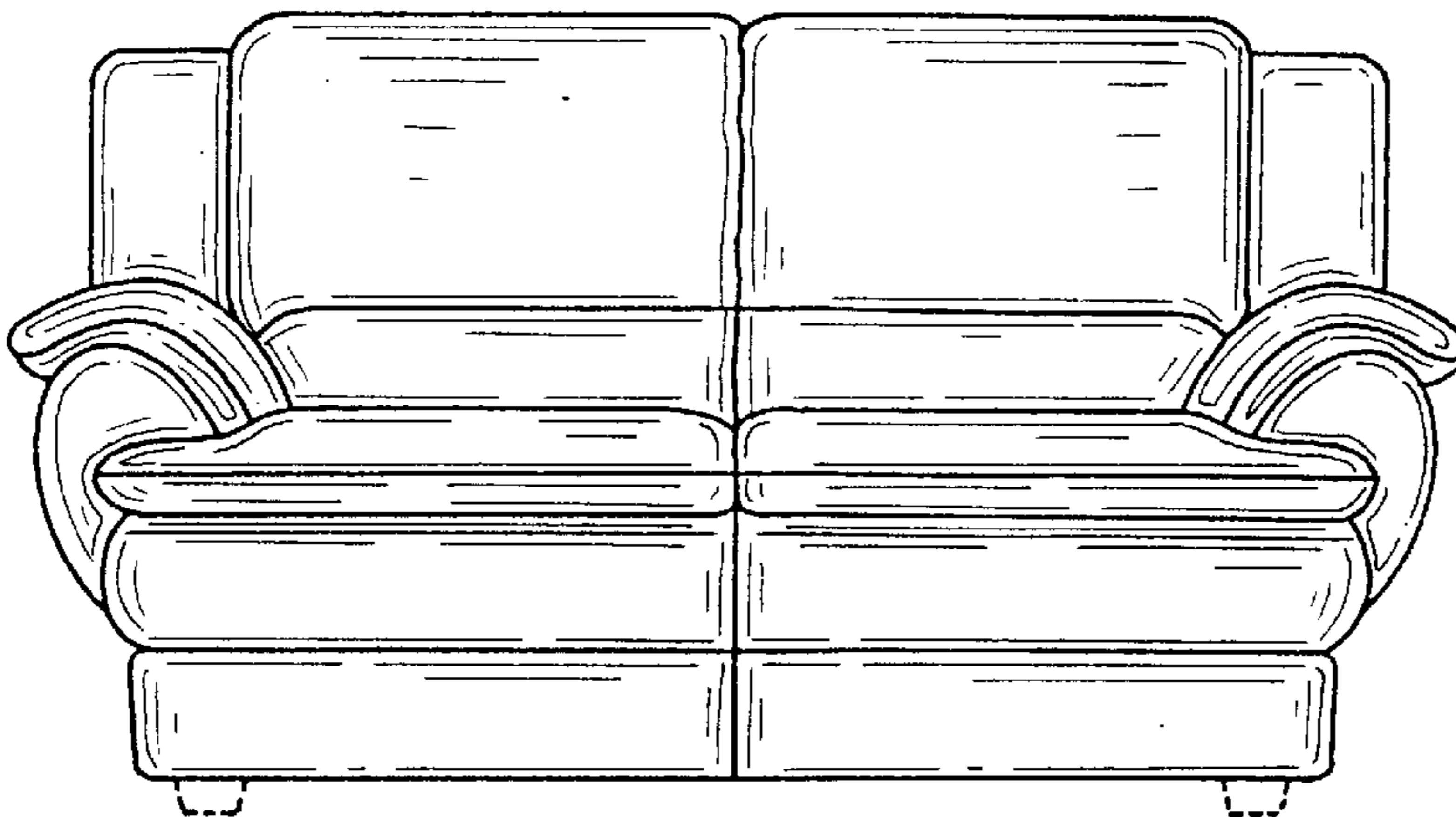


FIG. 6.

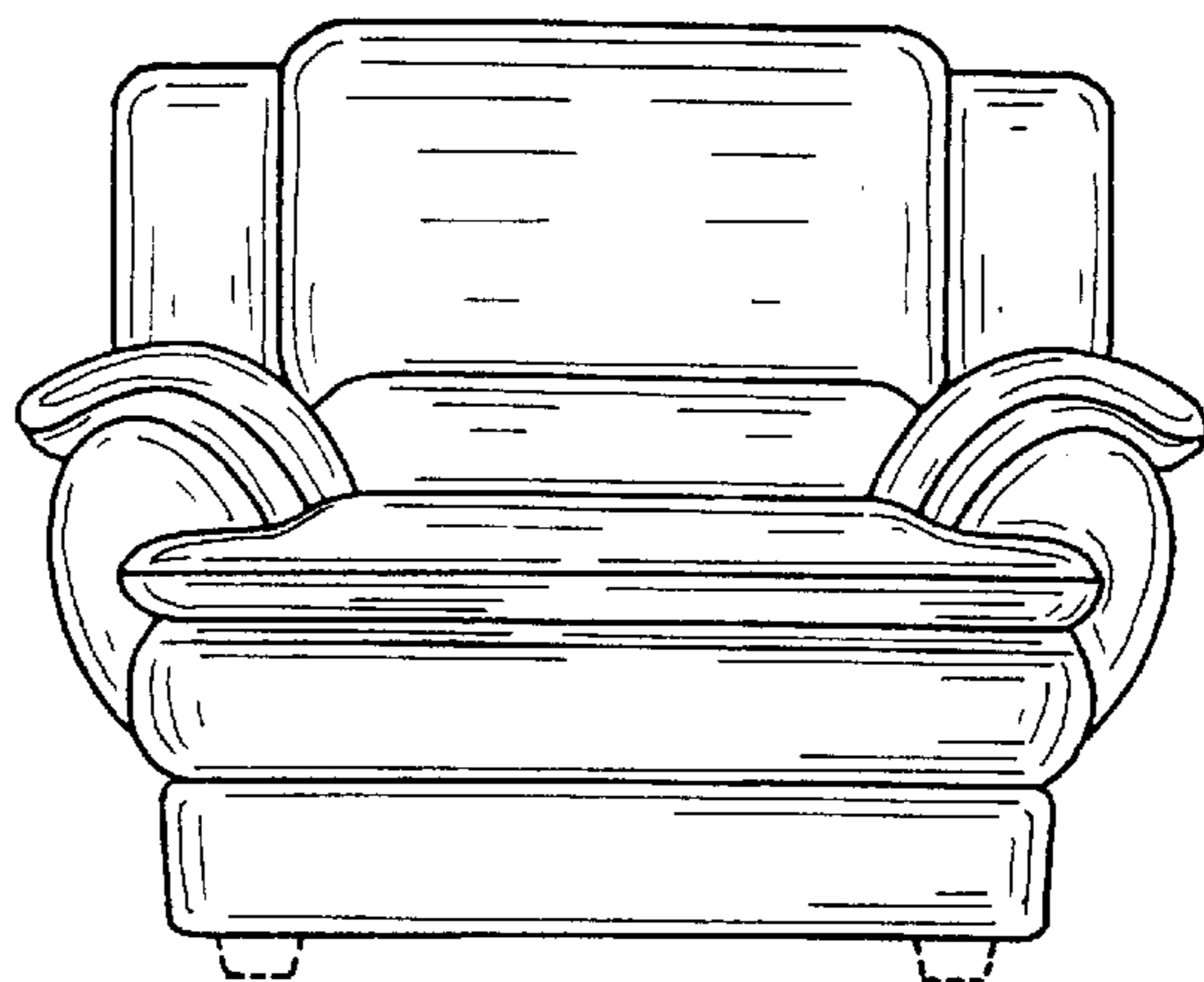


FIG. 7.

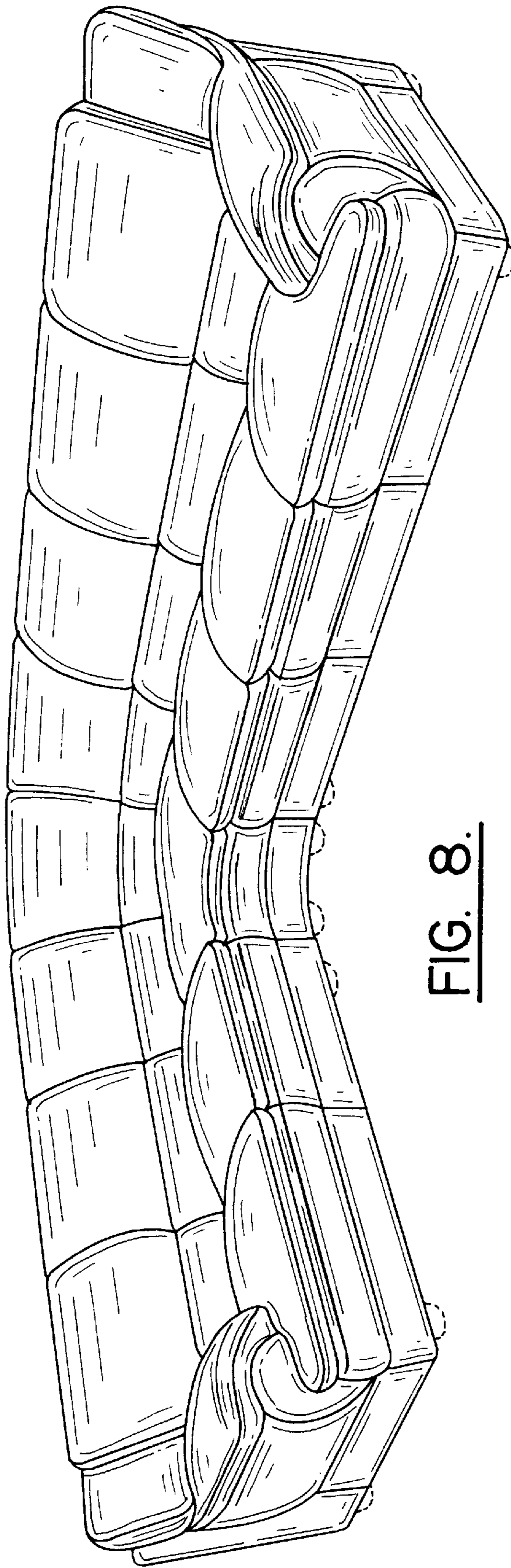


FIG. 8.

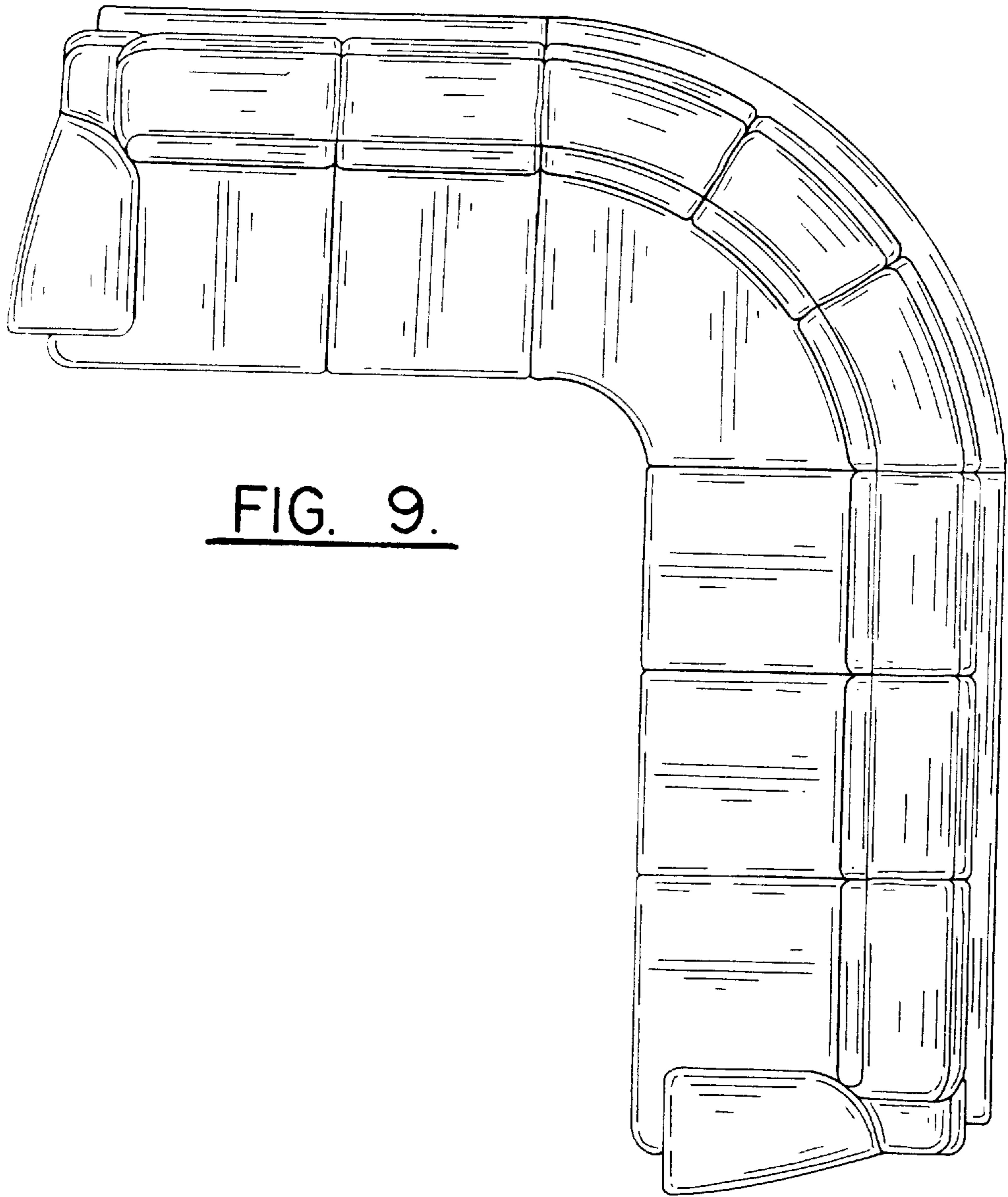


FIG. 9.

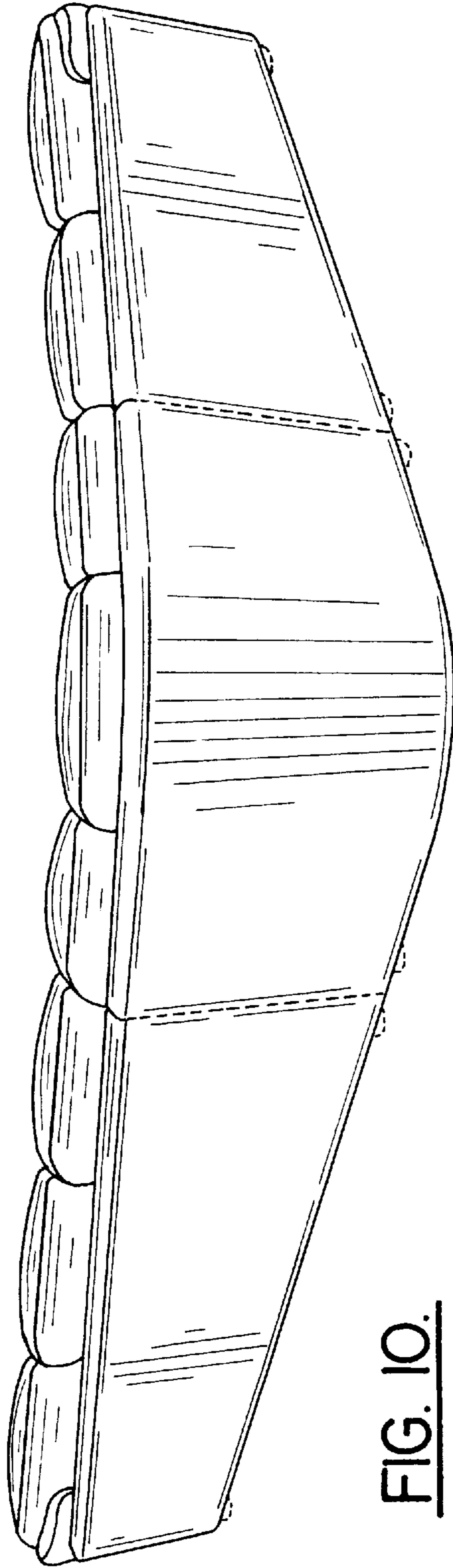


FIG. 10.