



US00D399357S

# United States Patent [19]

[11] **Patent Number: Des. 399,357**

**Natuzzi et al.**

[45] **Date of Patent: \*\*Oct. 13, 1998**

[54] **SEAT**

[75] Inventors: **Pasquale Natuzzi**, Santeramo In Colle;  
**Domenico Abbruzzese**, Gioia del Colle,  
both of Italy

[73] Assignee: **Indstrie Natuzzi, Spa**, Santeramo, Italy

[\*\*] Term: **14 Years**

[21] Appl. No.: **76,641**

[22] Filed: **Sep. 15, 1997**

[51] **LOC (6) Cl.** ..... **06-01**

[52] **U.S. Cl.** ..... **D6/381; D6/334**

[58] **Field of Search** ..... **D6/334, 335, 364,**  
**D6/371, 373, 381, 500, 501, 502; 297/232,**  
**445.1**

## [56] **References Cited**

### U.S. PATENT DOCUMENTS

D. 363,614	10/1995	Natuzzi et al.	.....	D6/381
D. 374,356	10/1996	Natuzzi et al.	.....	D6/381
D. 379,272	5/1997	Natuzzi et al.	.....	D6/381
D. 388,259	12/1997	Natuzzi et al.	.....	D6/381

### OTHER PUBLICATIONS

Natuzzi Model 465, Oct. 1988, at International Home Furnishings Market in High Point, North Carolina.  
 Natuzzi Model 621, Oct. 1988, at International Home Furnishings Market in High Point, North Carolina.  
 Natuzzi Model 731, Oct. 1989, at International Home Furnishings Market in High Point, North Carolina.  
 Natuzzi Model 762, Apr. 1990, at International Home Furnishings Market in High Point, North Carolina.  
 Natuzzi Model 879, Apr. 1991, at International Home Furnishings Market in High Point, North Carolina.  
 Natuzzi Model 881, Oct. 1991, at International Home Furnishings Market in High Point, North Carolina.  
 Natuzzi Model 882, Oct. 1991, at International Home Furnishings Market in High Point, North Carolina.  
 Natuzzi Model 897, Apr. 1992, at International Home Furnishings Market in High Point, North Carolina.  
 Natuzzi Model 914, Apr. 1992, at International Home Furnishings Market in High Point, North Carolina.

Natuzzi Model 954, Oct. 1992, at International Home Furnishings Market in High Point, North Carolina.  
 Natuzzi Model 1003, Apr. 1993, at International Home Furnishings Market in High Point, North Carolina.  
 Natuzzi Model 1024, Mar. 1993, at International Home Furnishings Market in High Point, North Carolina.  
 Natuzzi Model 1092, Sep. 1993, at International Home Furnishings Market in High Point, North Carolina.  
 Natuzzi Model 1105, Oct. 1993, at International Home Furnishings Market in High Point, North Carolina.  
 Natuzzi Model 1129, Jan. 1994, at International Home Furnishings Market in High Point, North Carolina.  
 Natuzzi Model 1230, Oct. 1994, at International Home Furnishings Market in High Point, North Carolina.  
 Natuzzi Model 1249, Oct. 1994, at International Home Furnishings Market in High Point, North Carolina.  
 Natuzzi Model 1337, Sep. 1995, at International Home Furnishings Market in High Point, North Carolina.  
 Nattuzi Model, 1345, Sep. 1995, at International Home Furnishings Market in High Point, North Carolina.  
 Nattuzi Model, 1400, Mar. 1996, at International Home Furnishings Market in High Point, North Carolina.  
 Nattuzi Model, 1426, Mar. 1996, at International Home Furnishings Market in High Point, North Carolina.  
 Nattuzi Model, 1438, Mar. 1996, at International Home Furnishings Market in High Point, North Carolina.  
 Nattuzi Model, 1447, Mar. 1996, at International Home Furnishings Market in High Point, North Carolina.  
 Nattuzi Model, 1453, Apr. 1996, at International Home Furnishings Market in High Point, North Carolina.

*Primary Examiner*—Gary D. Watson  
*Attorney, Agent, or Firm*—Bell Seltzer Intellectual Property Law Group of Alston & Bird LLP

## [57] **CLAIM**

The ornamental design for a seat, as shown and described.

### **DESCRIPTION**

FIG. 1 is a front perspective view of a seat showing our new design in the form of a sofa;  
 FIG. 2 is a front elevational view thereof;  
 FIG. 3 is a top plan view thereof;  
 FIG. 4 is a right side elevational view, the left side being a mirror image thereof;  
 FIG. 5 is a rear perspective view thereof;

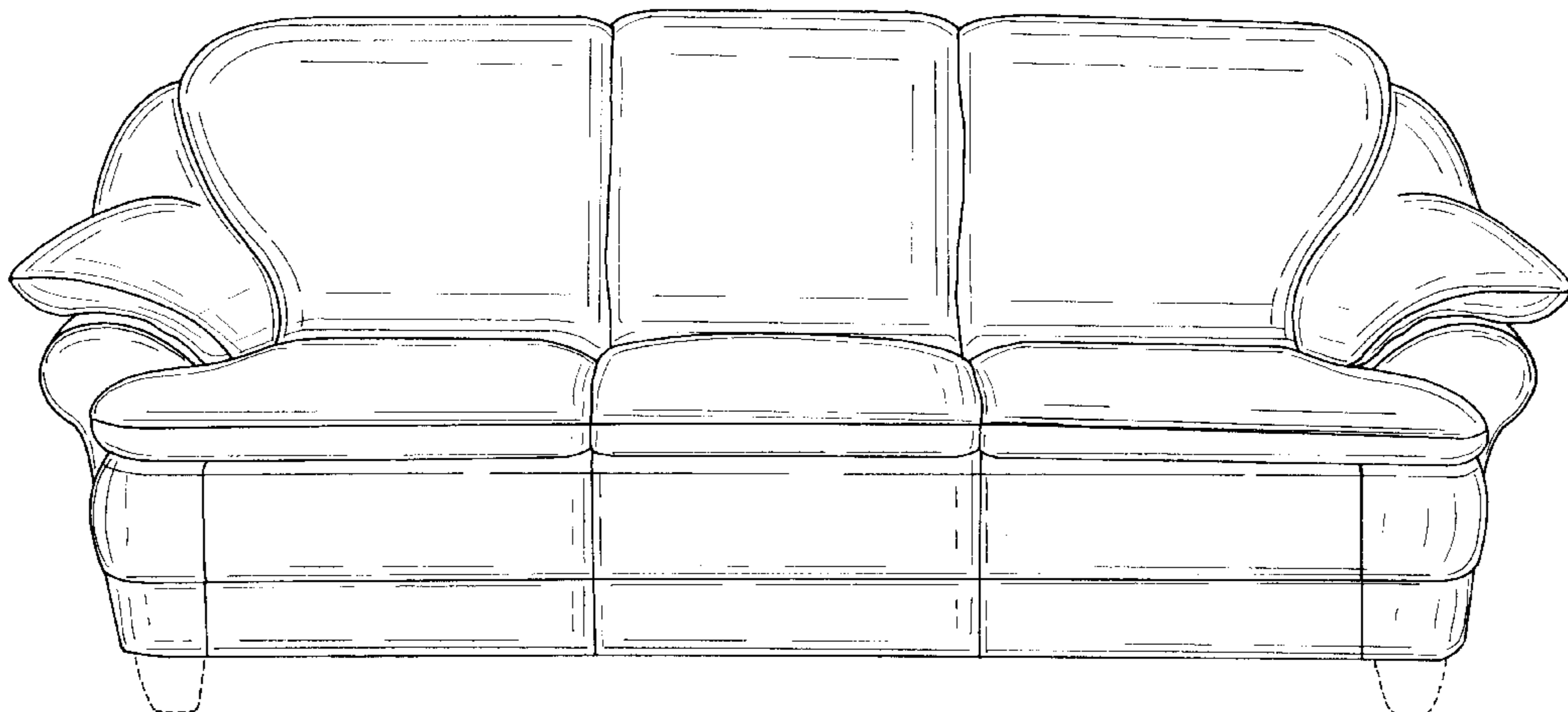


FIG. 6 is a front elevational view of a seat showing our new design in the form of a loveseat; and,

FIG. 7 is a front elevational view of a seat showing our new design in the form of a chair.

The broken lines shown herein are for illustrative purposes only and form no part of the claimed design.

The rear views of the FIGS. 6 and 7 are like FIG. 5, the difference being a matter of length.

The end views of FIGS. 6 and 7 are like FIG. 4.

FIGS. 1 and 5 have been shown on an enlarged scale with respect to the other views.

**1 Claim, 3 Drawing Sheets**

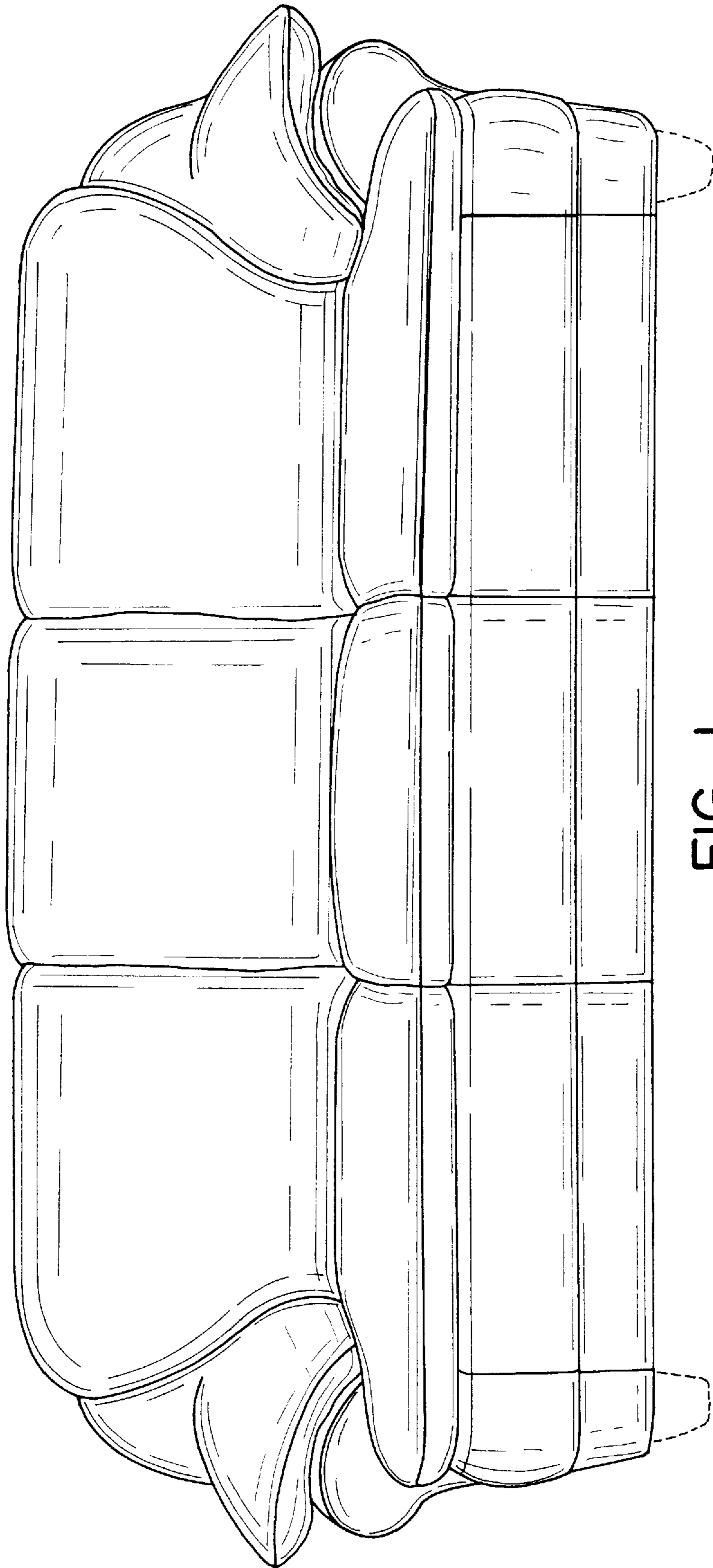


FIG. 1.

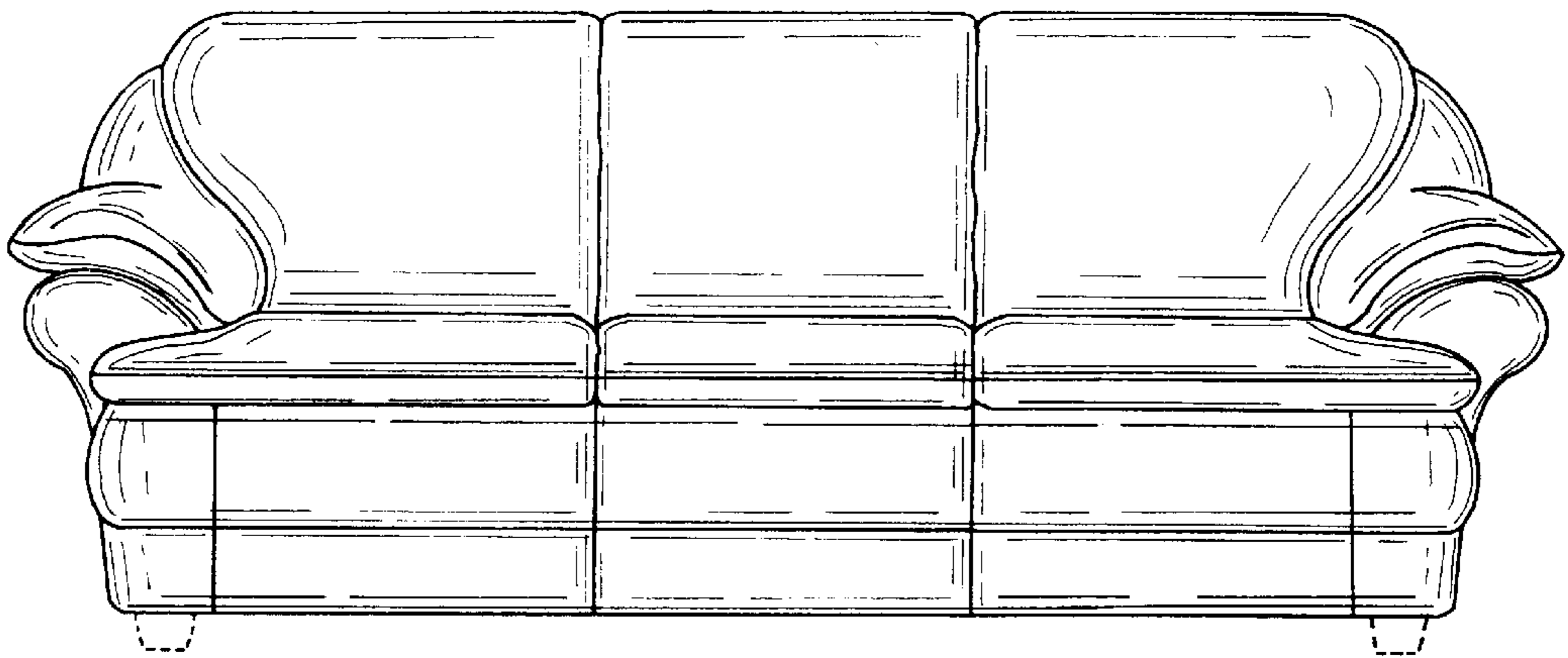


FIG. 2.

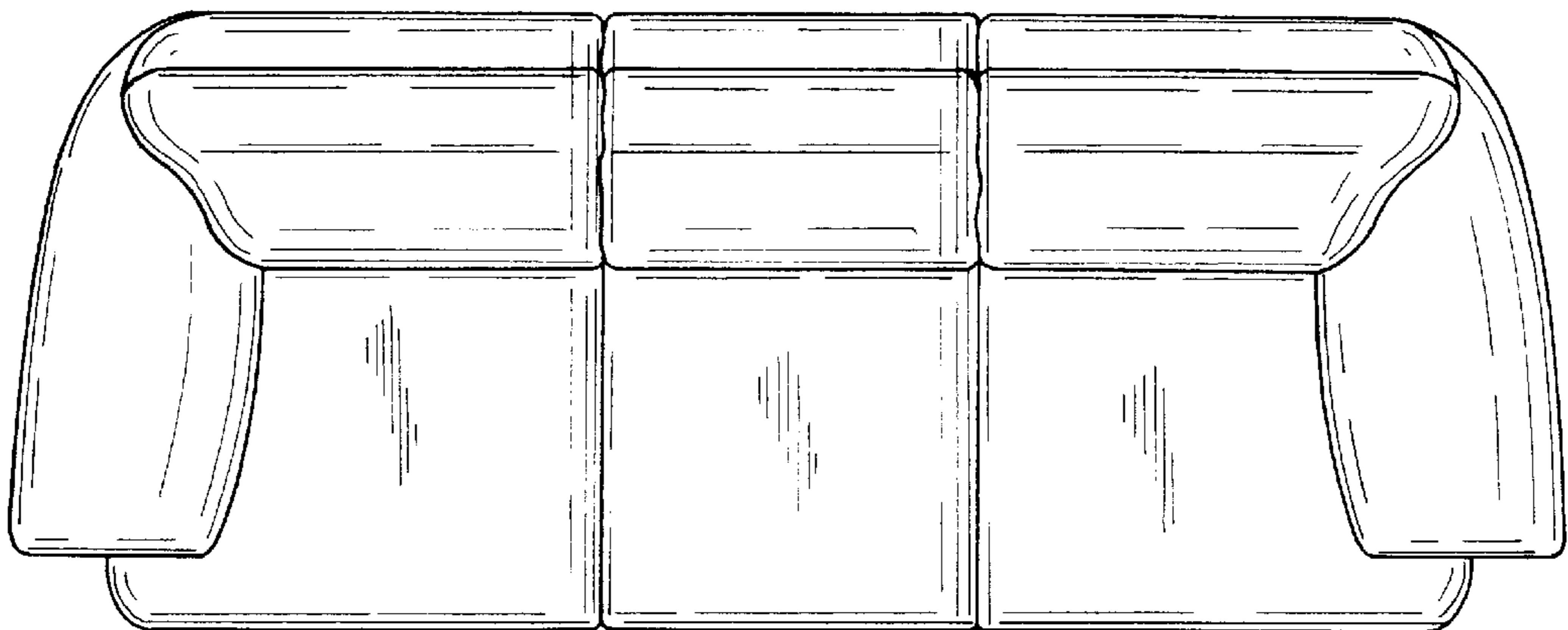


FIG. 3.

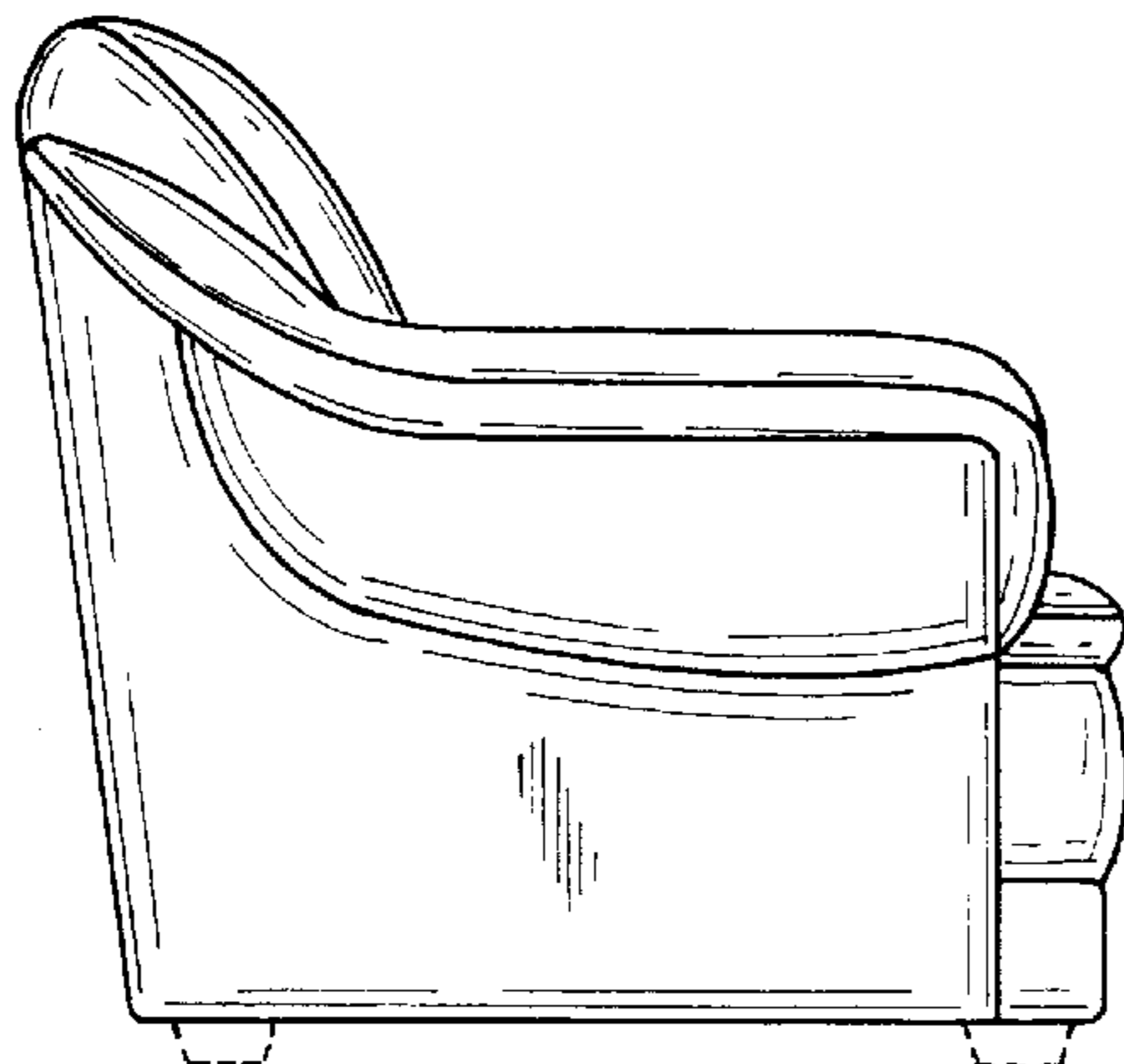


FIG. 4.

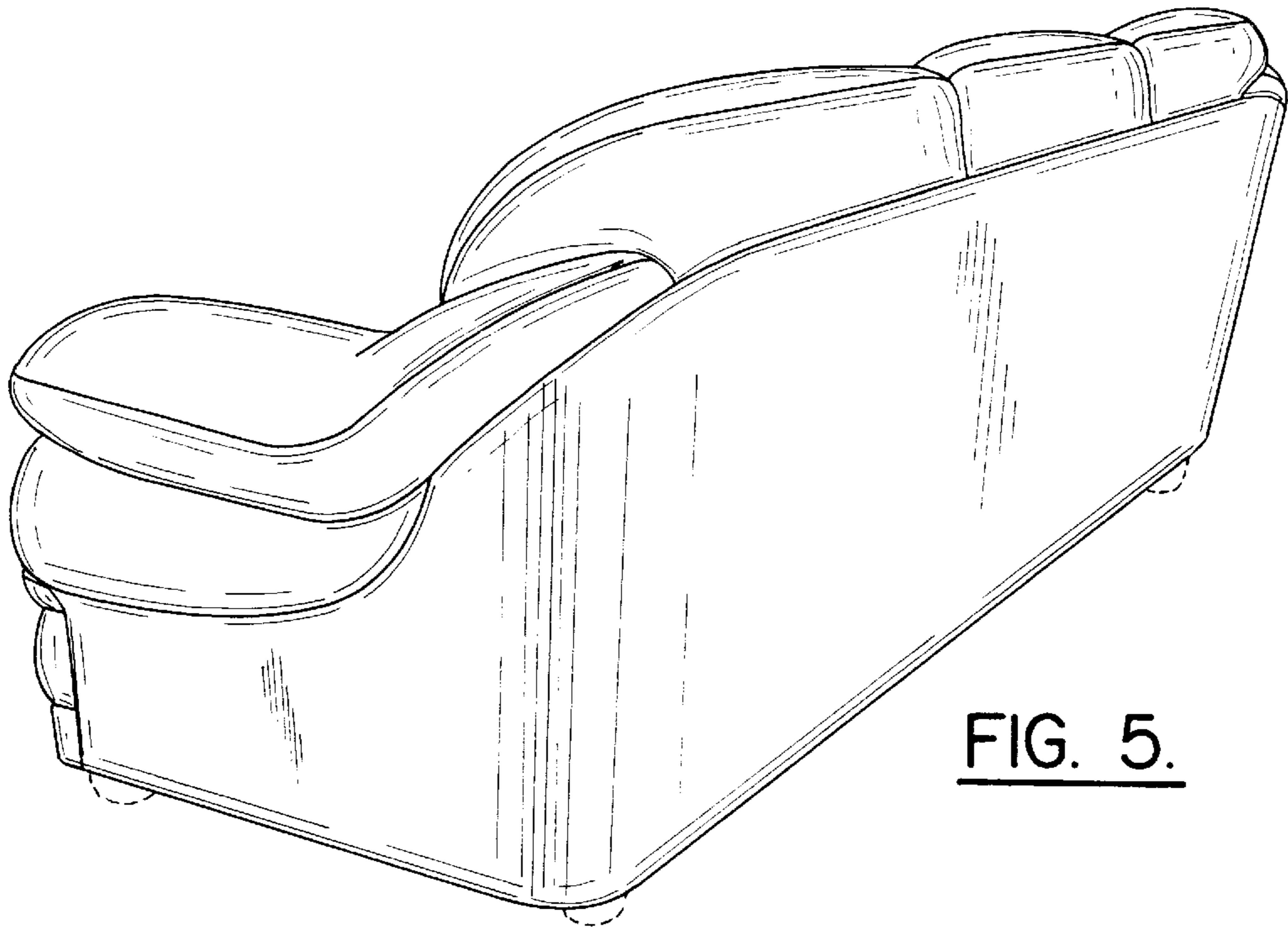


FIG. 5.

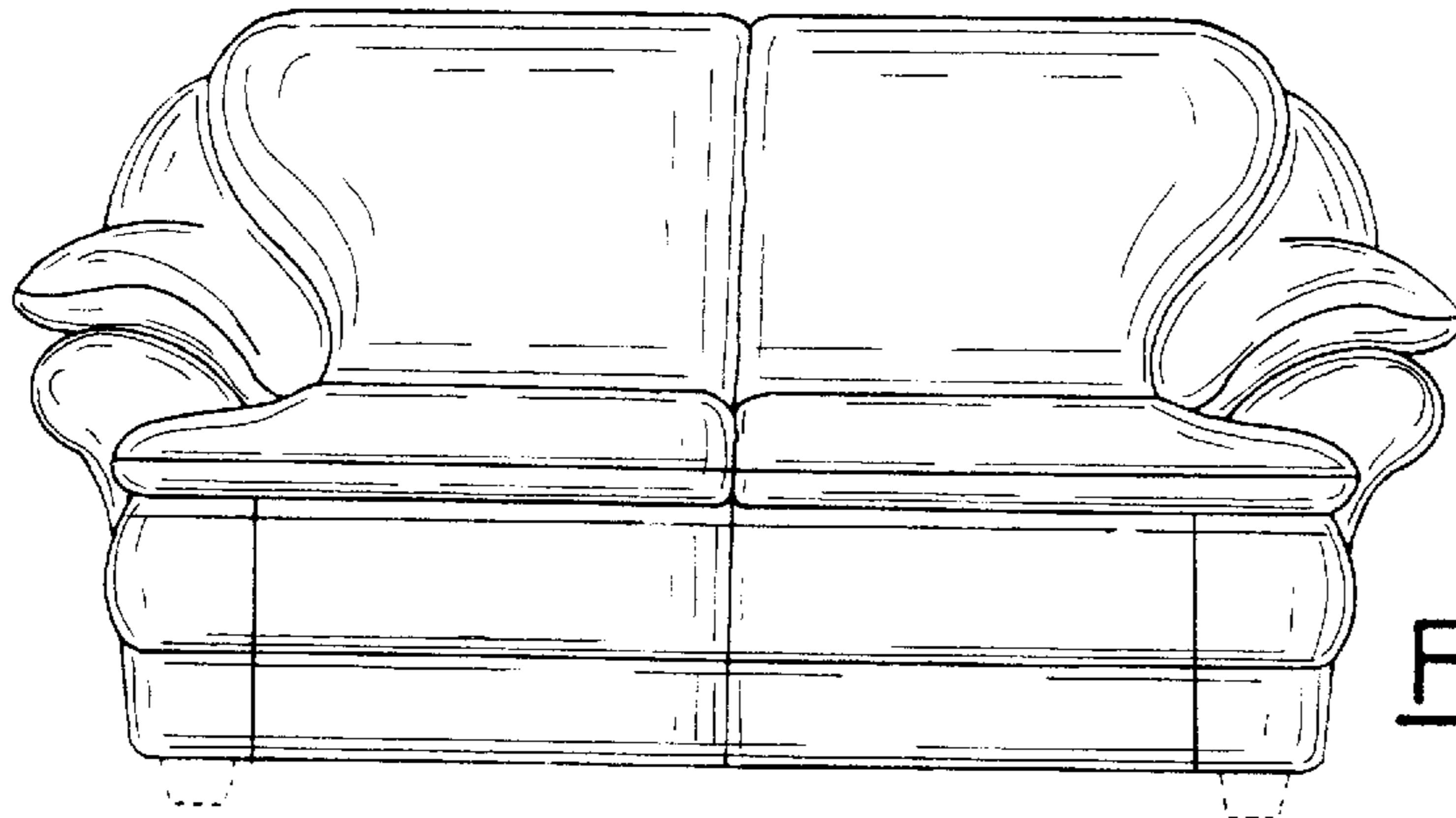


FIG. 6.

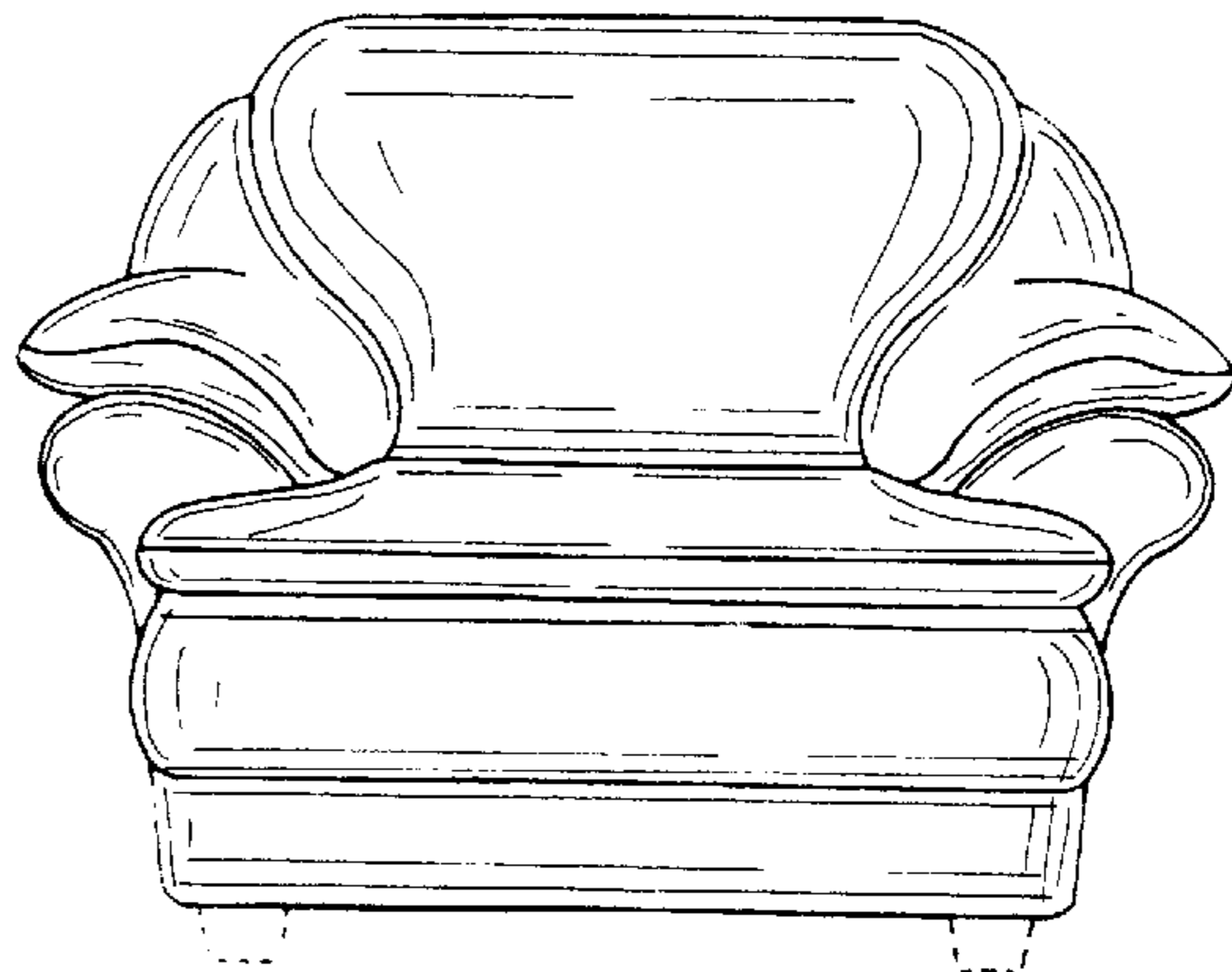


FIG. 7.